



US00D349823S

United States Patent [19]

[11] Patent Number: **Des. 349,823**

Gregg

[45] Date of Patent: **** Aug. 23, 1994**

- [54] HOUSING FOR A FACSIMILE MACHINE
- [75] Inventor: **Stephen A. Gregg**, Portland, Oreg.
- [73] Assignee: **Ethix Corporation**, Beaverton, Oreg.
- [**] Term: **14 Years**
- [21] Appl. No.: **948,869**
- [22] Filed: **Sep. 14, 1992**
- [52] U.S. Cl. **D6/436; D14/118**
- [58] Field of Search **D6/468, 419, 436, 474; 312/107; 358/400; D14/118**

Primary Examiner—Theodore M. Shooman
Attorney, Agent, or Firm—Klarquist, Sparkman, Campbell, Leigh & Winston

[57] CLAIM

The ornamental design for a housing for a facsimile machine, as shown and described.

DESCRIPTION

FIG. 1 is a perspective view showing the top, front and right side of a housing for a facsimile machine showing my new design;

FIG. 2 is a front elevation view thereof;

FIG. 3 is an elevation view of the right side thereof;

FIG. 4 is a rear elevation view thereof;

FIG. 5 is an elevation view of the left side thereof;

FIG. 6 is a top plan view thereof; and,

FIG. 7 is a bottom view thereof.

[56] References Cited

U.S. PATENT DOCUMENTS

- D. 276,774 12/1984 Matyear D6/419
- D. 292,254 10/1987 Matilo D6/468
- D. 317,015 5/1991 Bankier D6/436 X

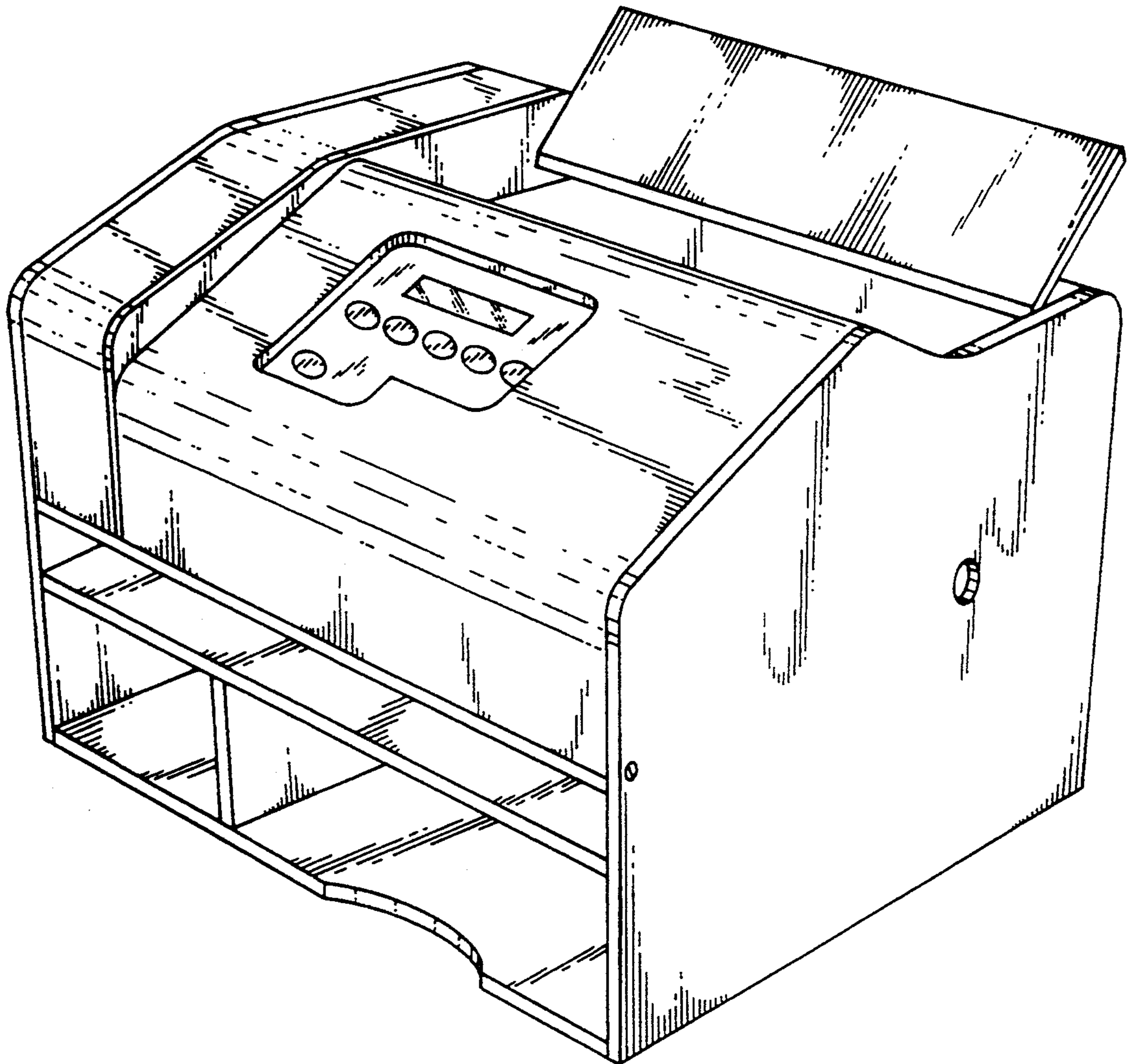


FIG. 1

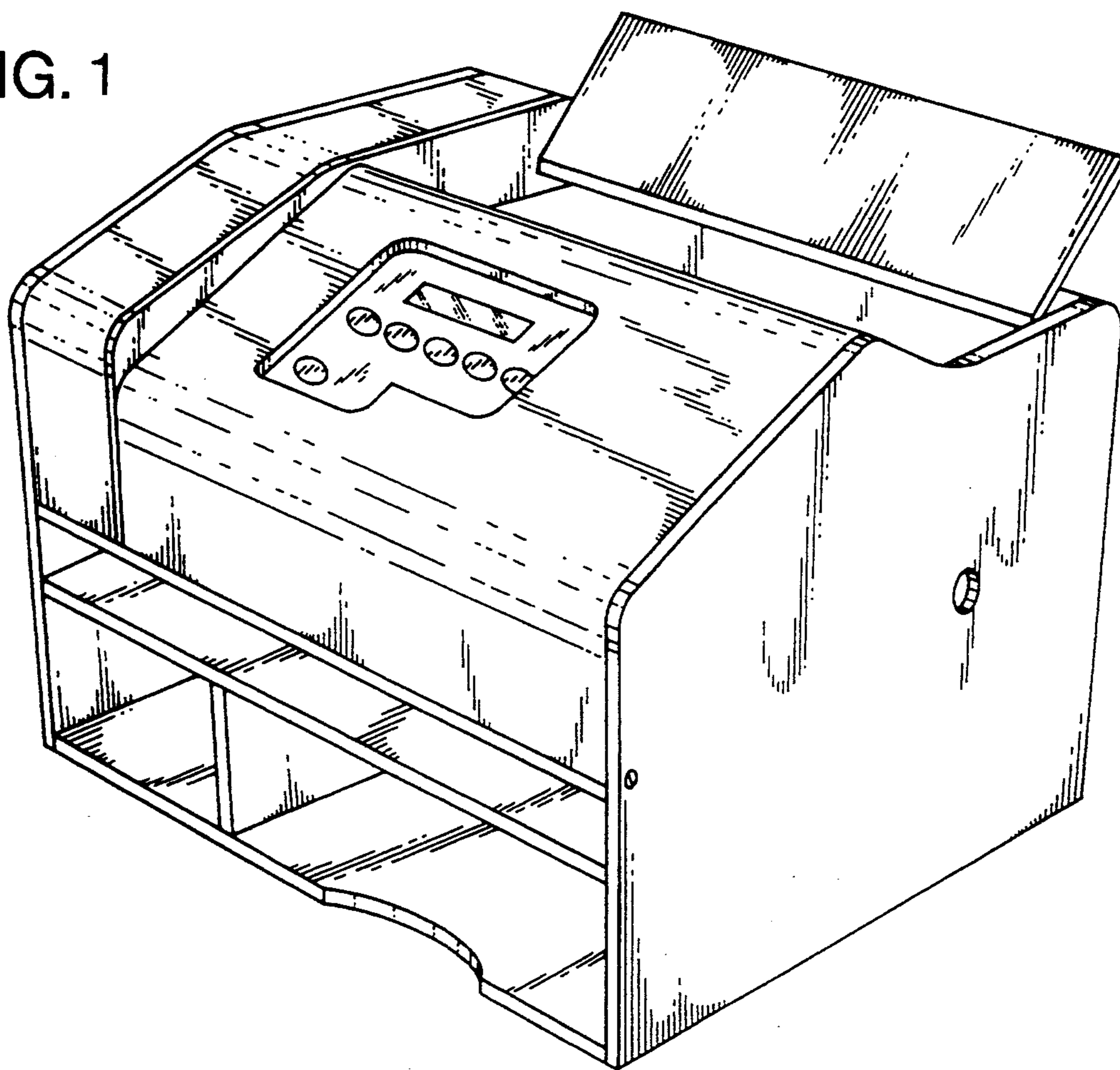


FIG. 2

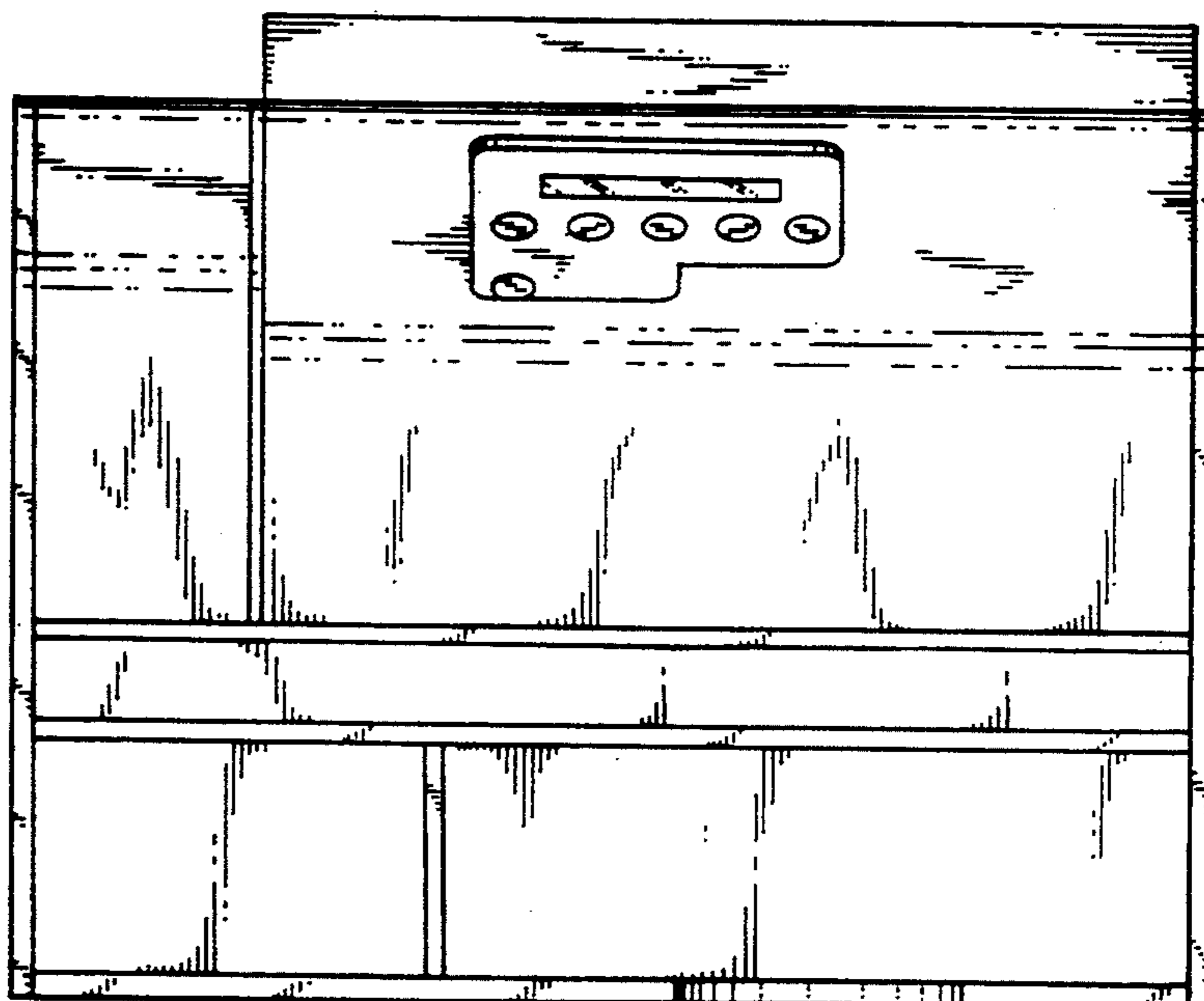


FIG. 3

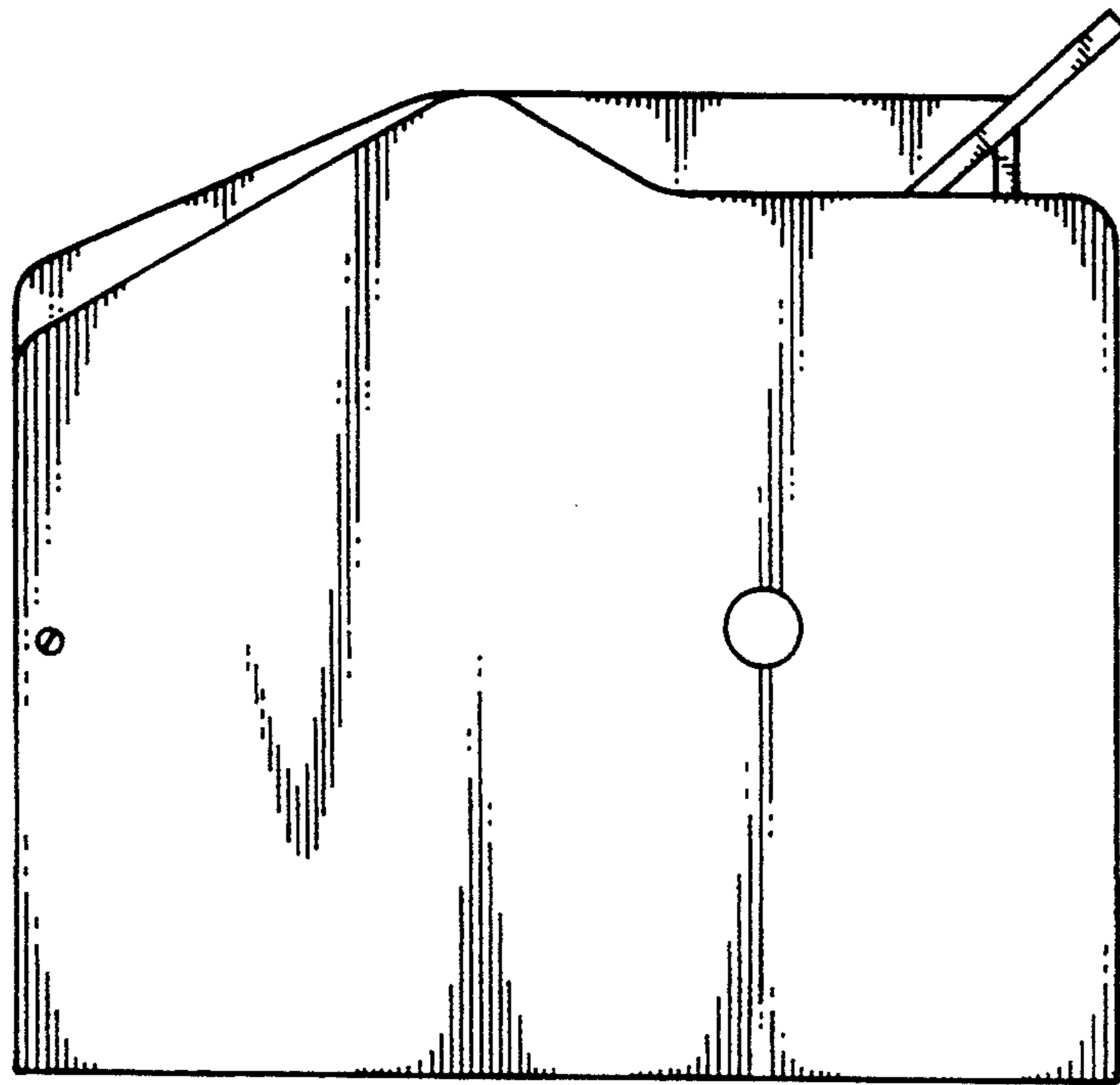


FIG. 4

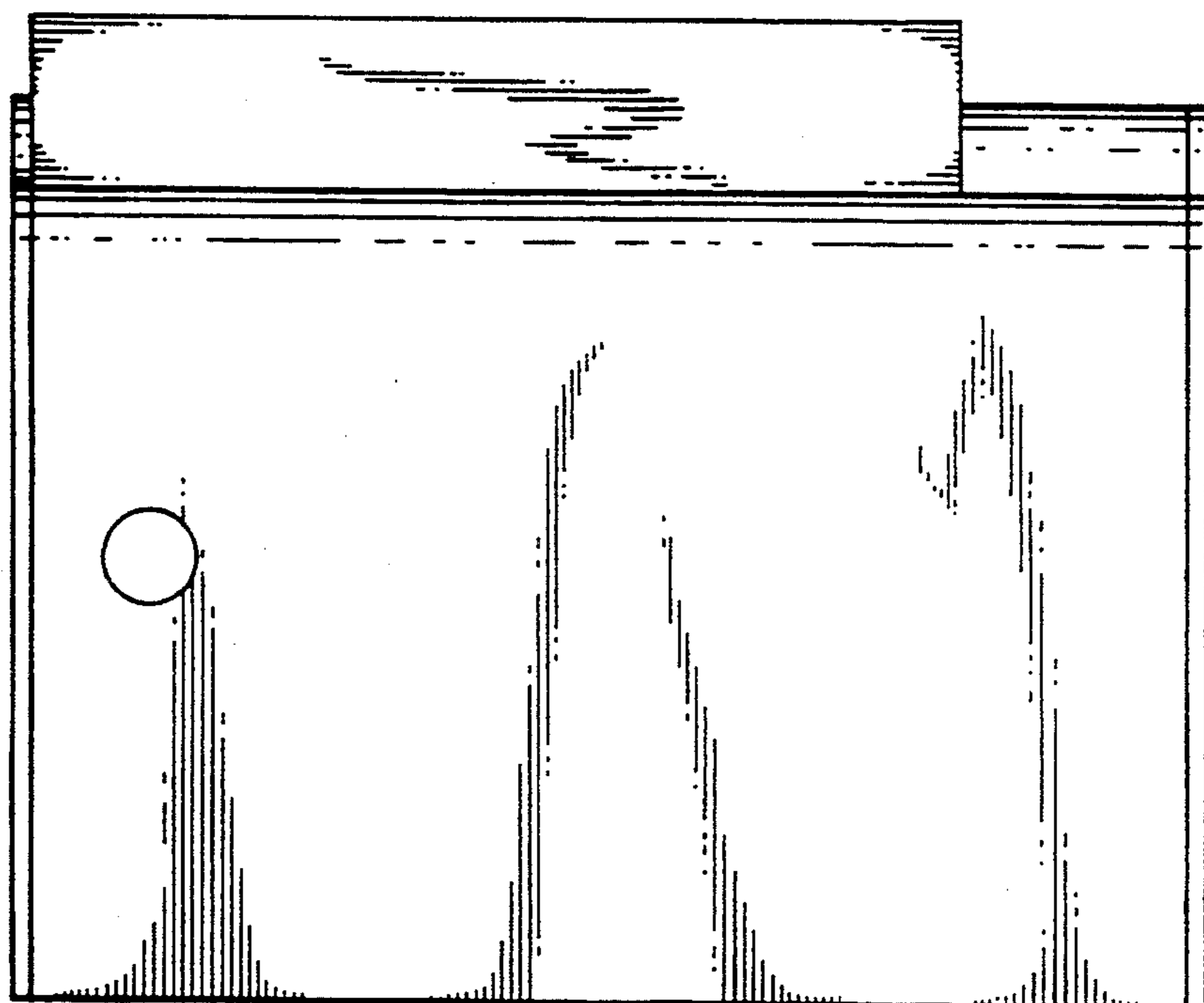


FIG. 5

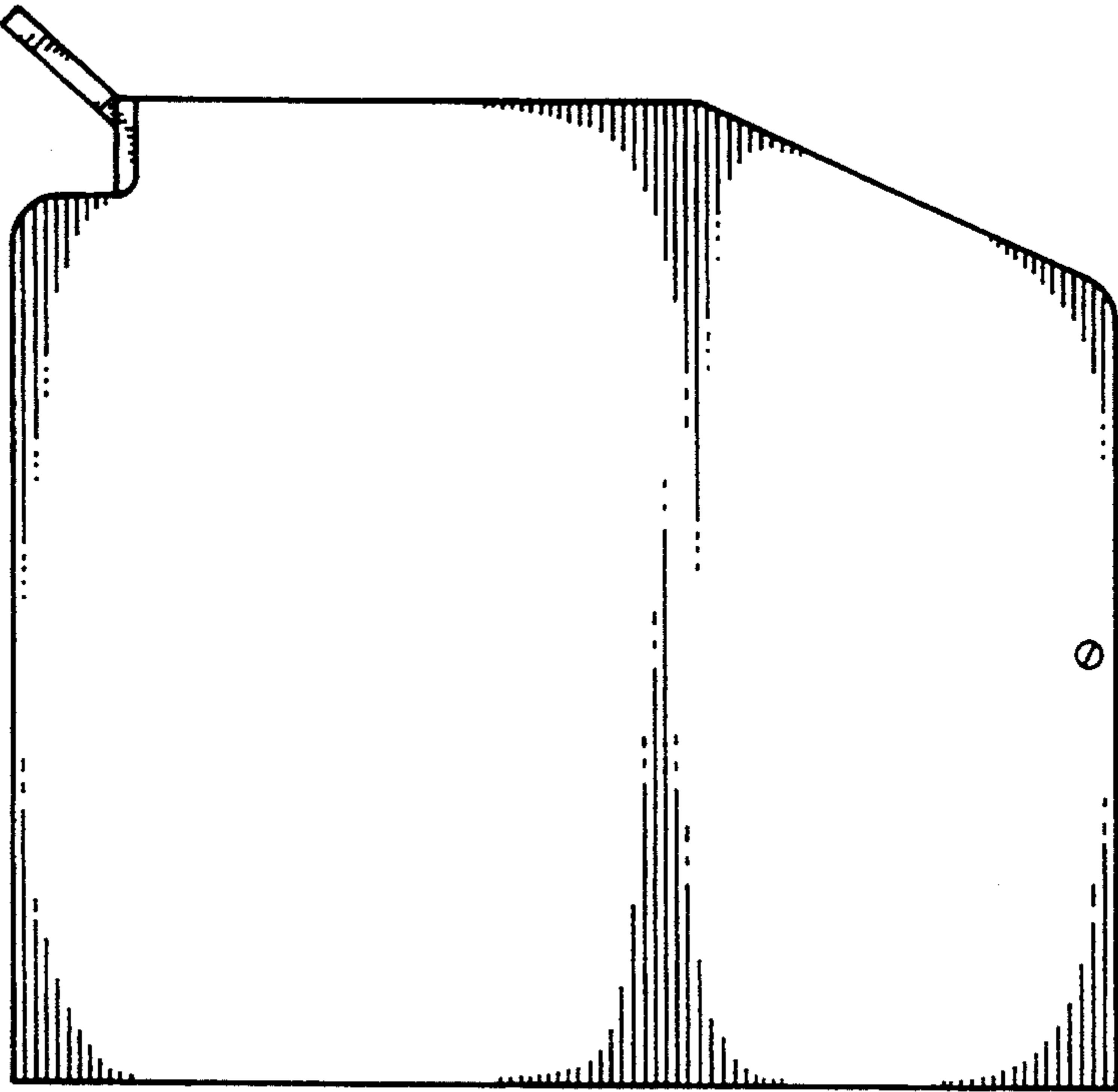


FIG. 6

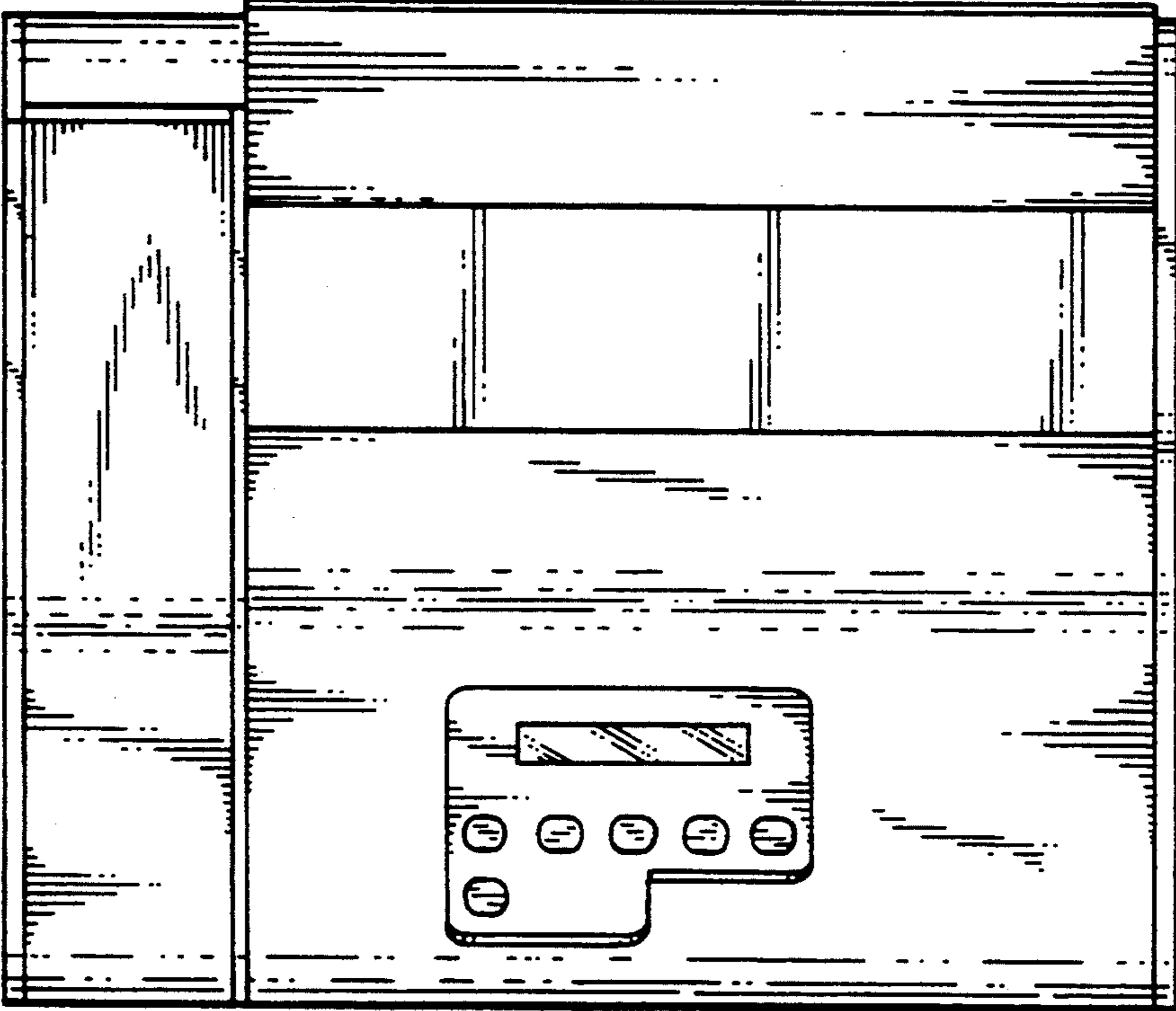


FIG. 7

