



US00D349820S

United States Patent [19]

[11] Patent Number: **Des. 349,820**

Schaevitz

[45] Date of Patent: **** Aug. 23, 1994**

[54] SIT STAND

FOREIGN PATENT DOCUMENTS

[76] Inventor: **Lester P. Schaevitz**, 431 Latch's La., Merion Station, Pa. 19066

1115421 10/1961 Fed. Rep. of Germany 297/452.21

[**] Term: **14 Years**

OTHER PUBLICATIONS

[21] Appl. No.: **3,822**

Design, Nov. 1975, p. 47, seat at top right.
Industrial Design, Nov./Dec. 1977, p. 46, seat at bottom right.

[22] Filed: **Jan. 19, 1993**

Interiors, Nov. 1983, p. 137, seat at bottom right.

[52] U.S. Cl. **D6/364; D6/367**

Primary Examiner—Alan P. Douglas

[58] Field of Search D6/334, 335, 360, 364, D6/365, 367, 374, 380, 500, 501, 502; 297/232, 344.18, 452.21

Assistant Examiner—Gary D. Watson

Attorney, Agent, or Firm—Robert Charles Beam

[57] CLAIM

The ornamental design for a sit stand, as shown.

[56] References Cited

DESCRIPTION

U.S. PATENT DOCUMENTS

D. 165,472	12/1951	Lamm	D6/334
D. 275,156	8/1984	Carlin	D6/365 X
D. 292,654	11/1987	Melvin	D6/335 X
D. 299,594	1/1989	Richardson	D6/335
D. 336,790	6/1993	Lowers	D6/360
4,690,459	9/1987	Ullman	297/452.21
4,768,831	9/1988	Liedberg et al.	D6/365 X

FIG. 1 is a front perspective view of a sit stand showing my new design;

FIG. 2 is a front elevational view;

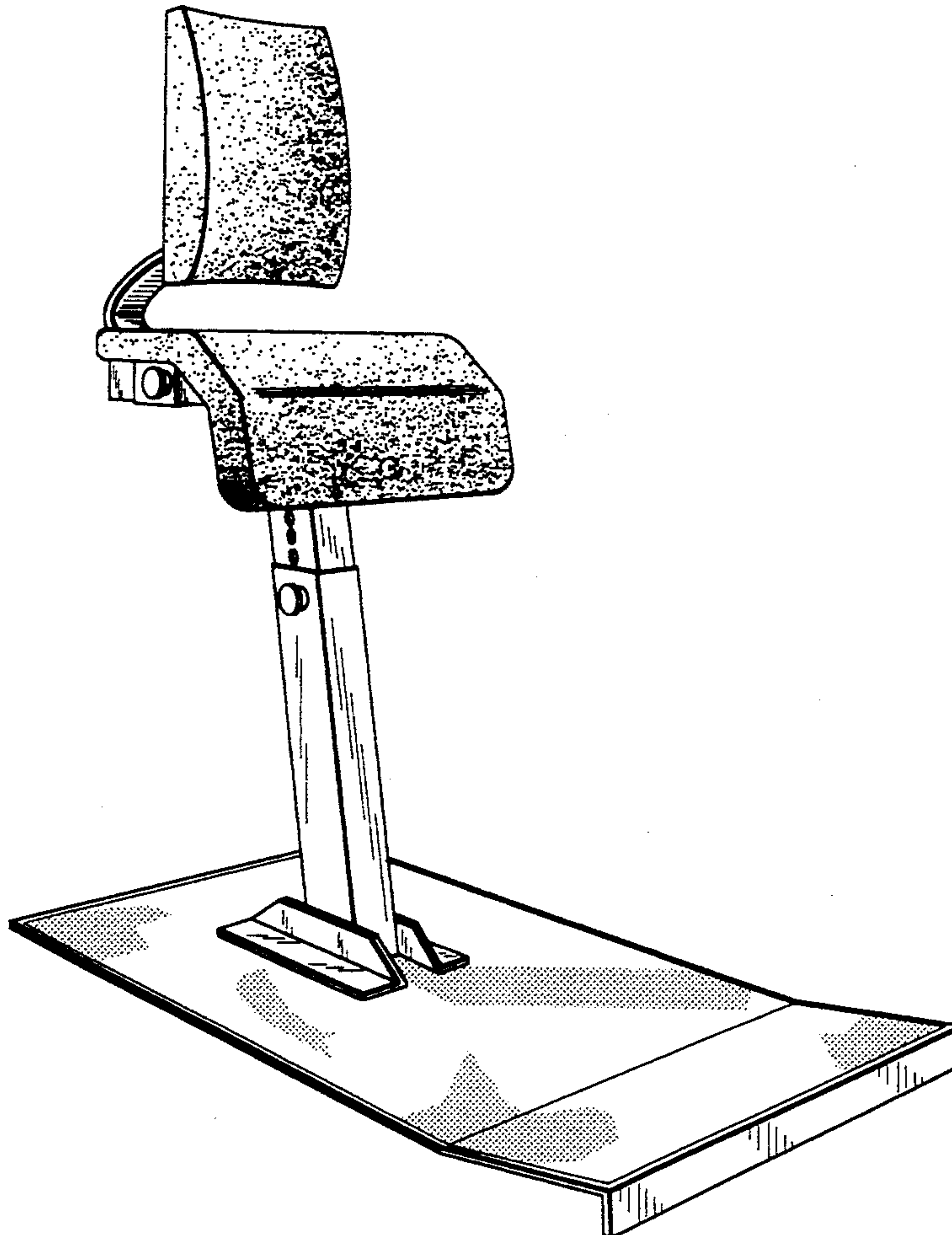
FIG. 3 is a rear elevational view;

FIG. 4 is a left side elevational view;

FIG. 5 is a right side elevational view;

FIG. 6 is a top plan view; and,

FIG. 7 is a bottom plan view thereof.



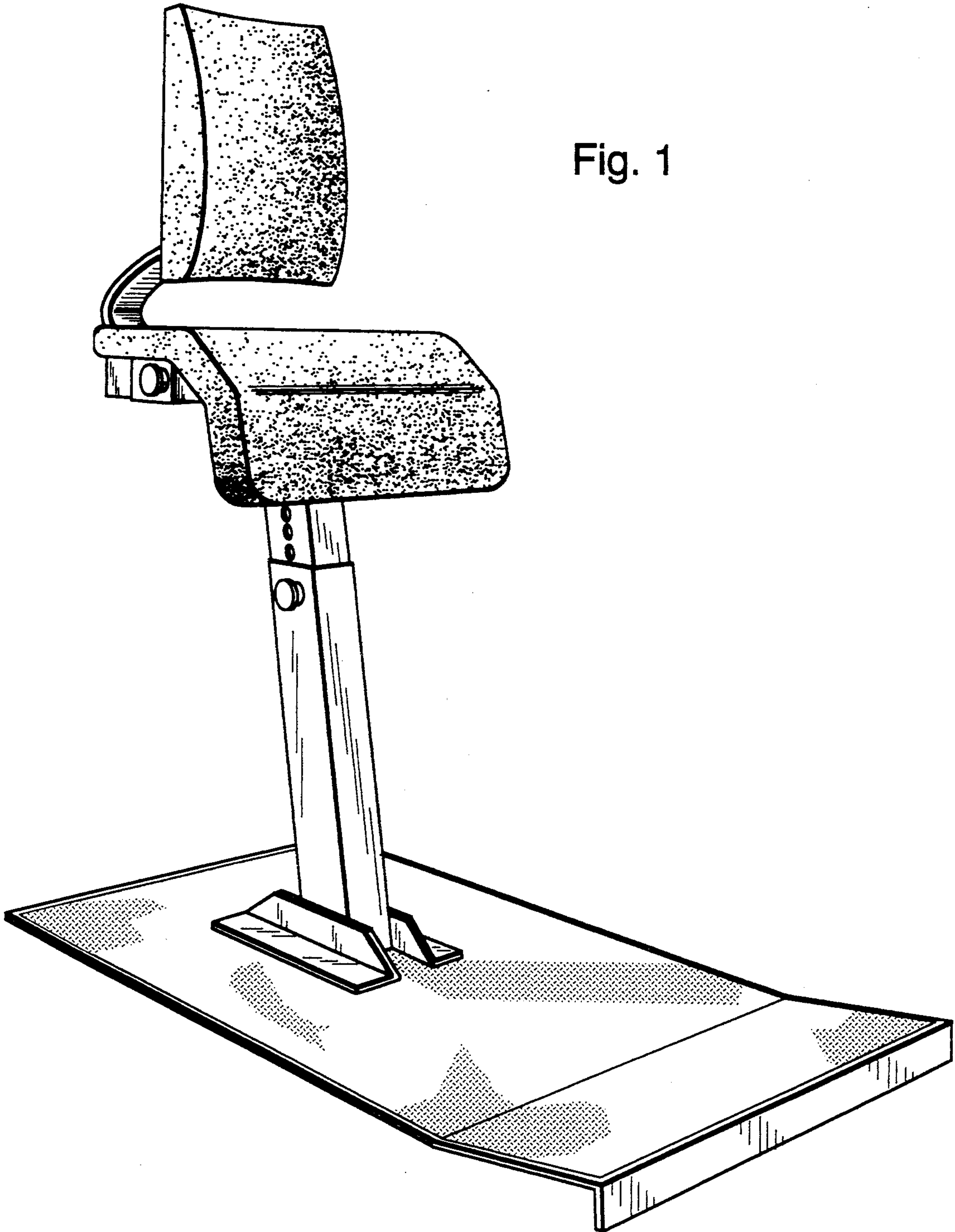


Fig. 1

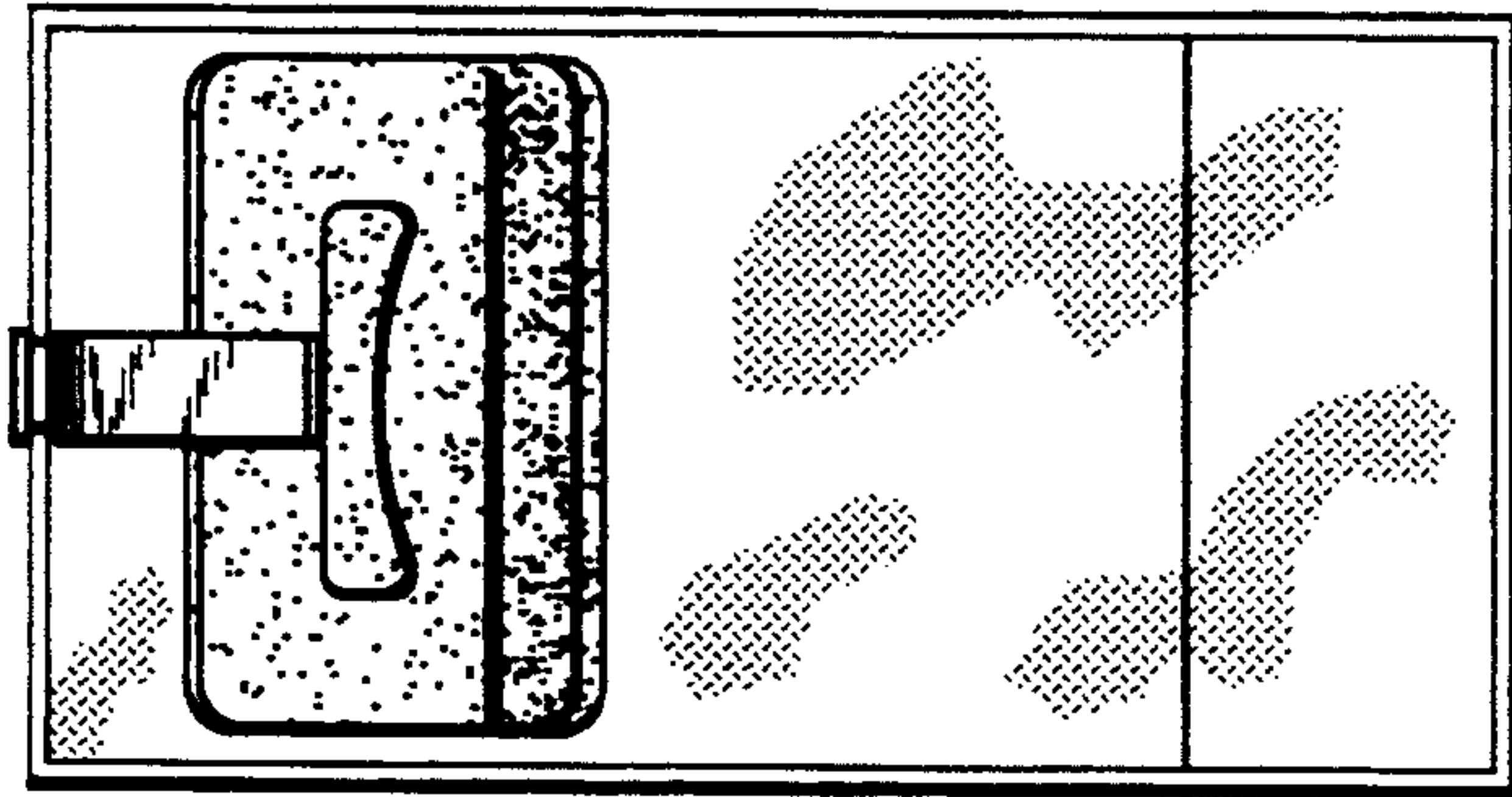


Fig. 6

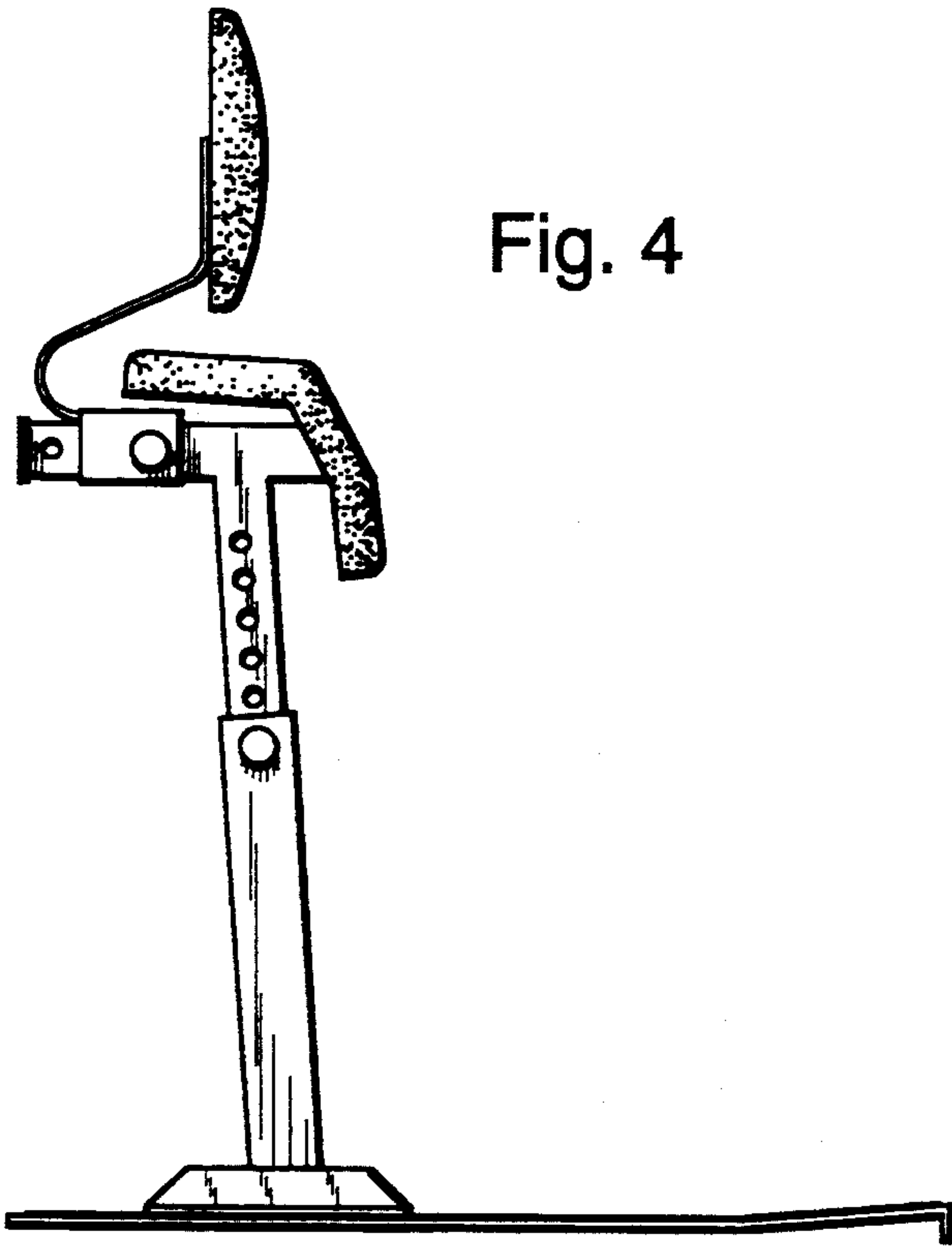


Fig. 4

Fig. 2

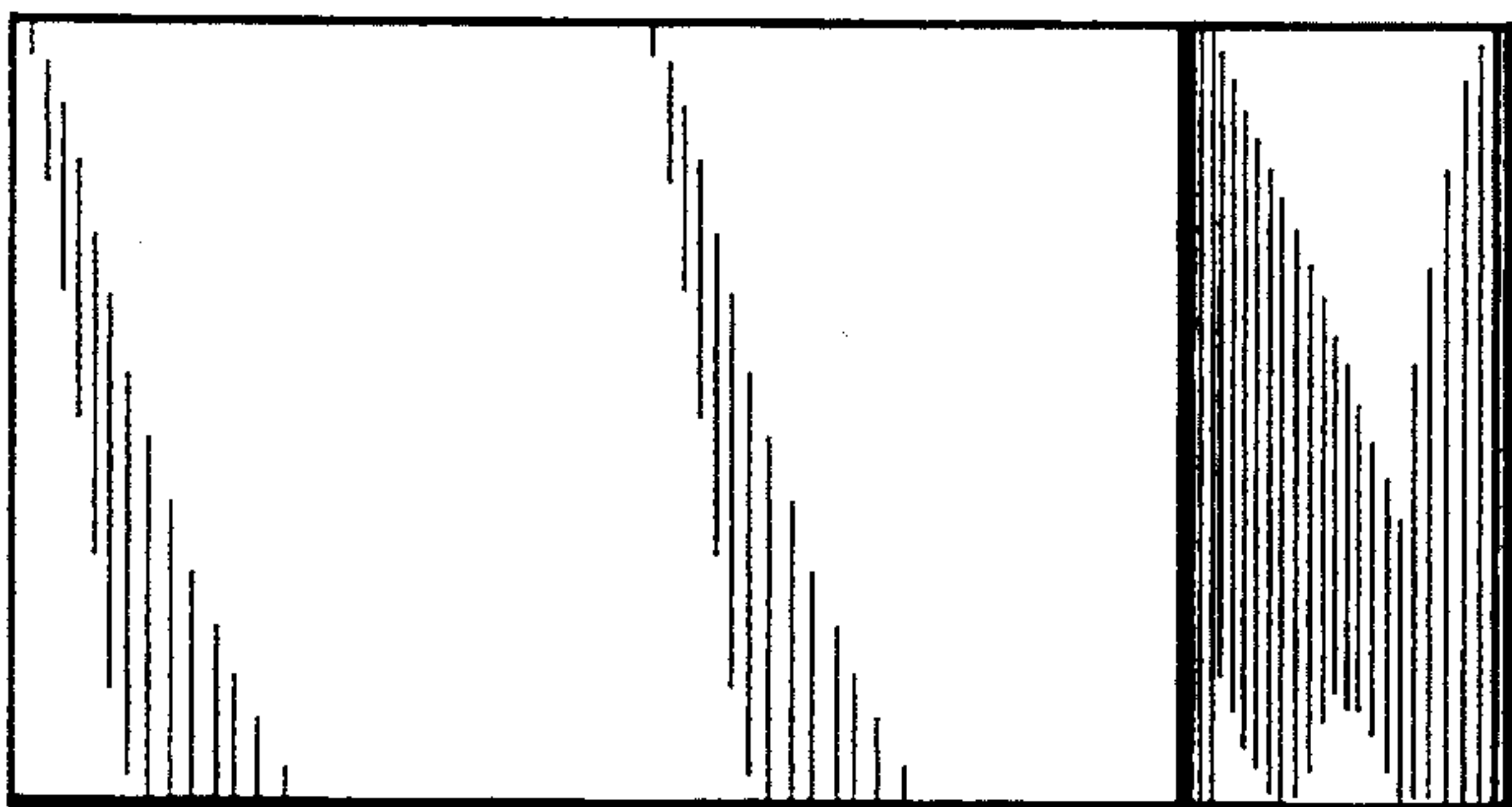
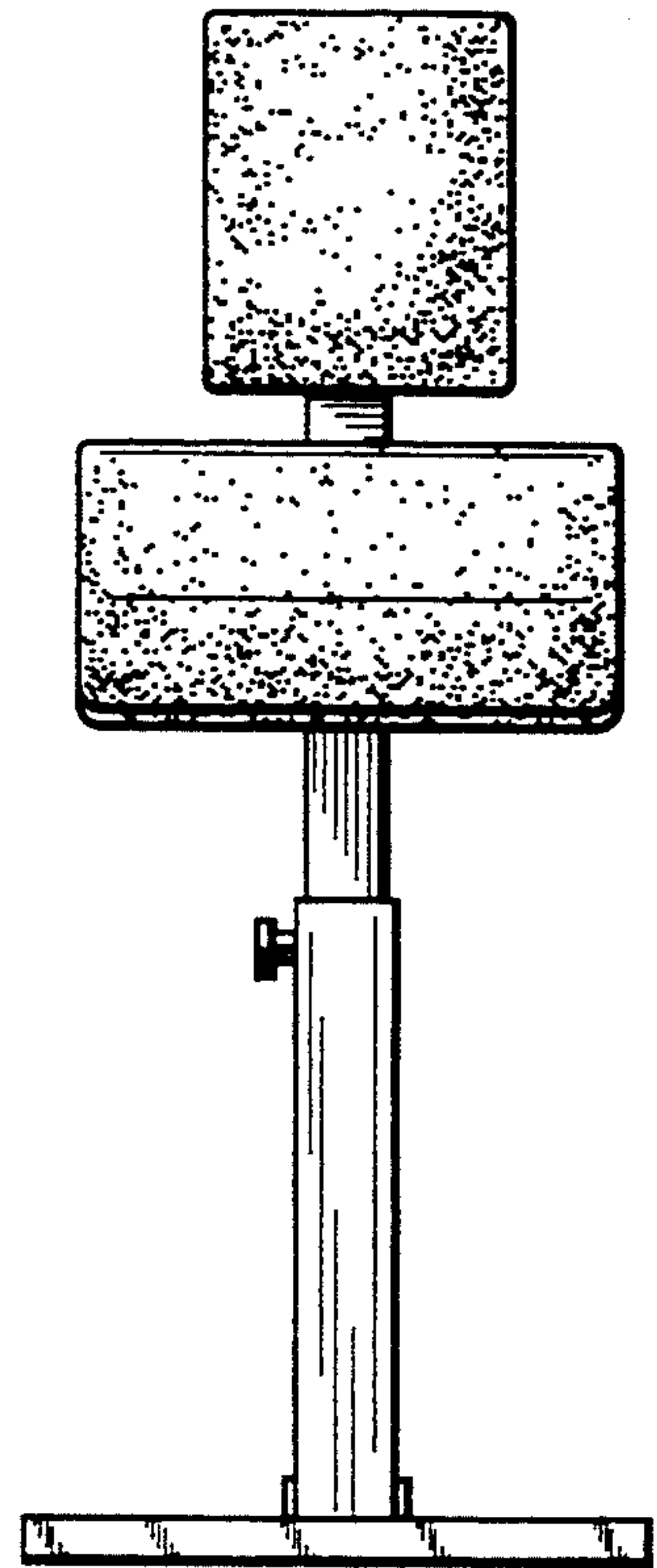


Fig. 7

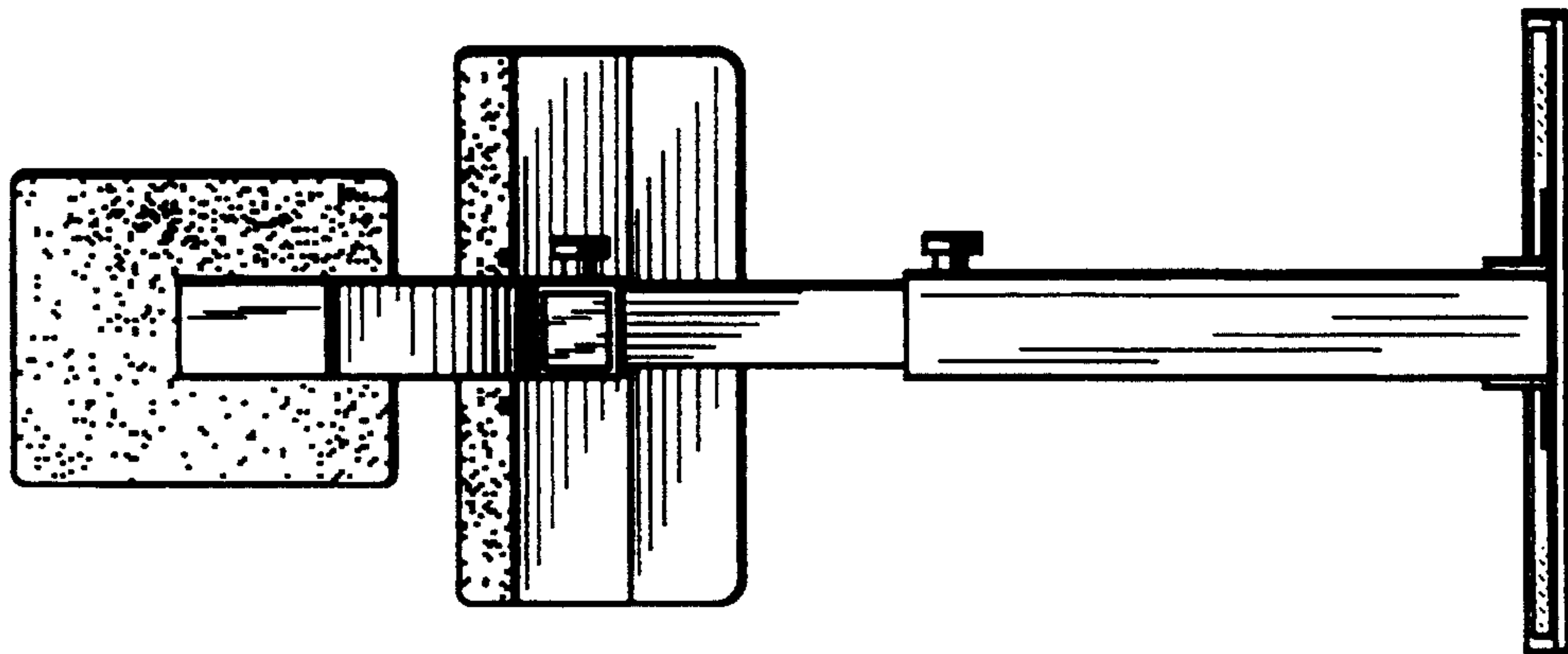


Fig. 3

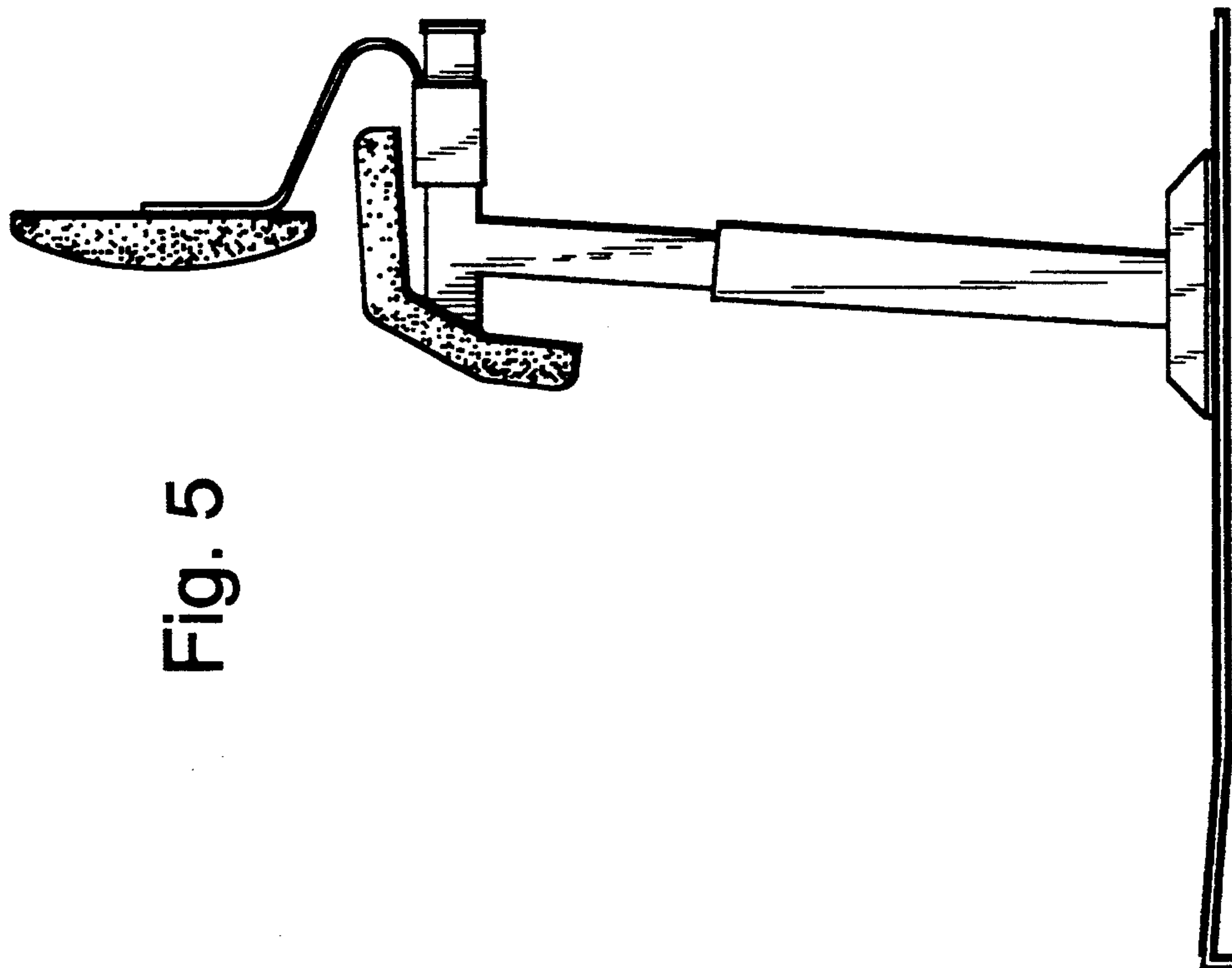


Fig. 5