



US00D349816S

United States Patent [19]
Elliott

[11] **Patent Number: Des. 349,816**

[45] **Date of Patent: ** Aug. 23, 1994**

[54] **BULB ASSEMBLY FOR A STROBE LIGHT**

3,731,082 5/1973 Blaylock 362/216

[76] **Inventor: John B. Elliott, 225 W. El Norte Pkwy., #106, Escondido, Calif. 92026**

Primary Examiner—Wallace R. Burke
Assistant Examiner—Marcus Jackson
Attorney, Agent, or Firm—Loyal M. Hanson

[**] **Term: 14 Years**

[57] **CLAIM**

[21] **Appl. No.: 938,471**

The ornamental design for a bulb assembly for a strobe light, as shown.

[22] **Filed: Aug. 31, 1992**

DESCRIPTION

[52] **U.S. Cl. D26/3; D26/24**

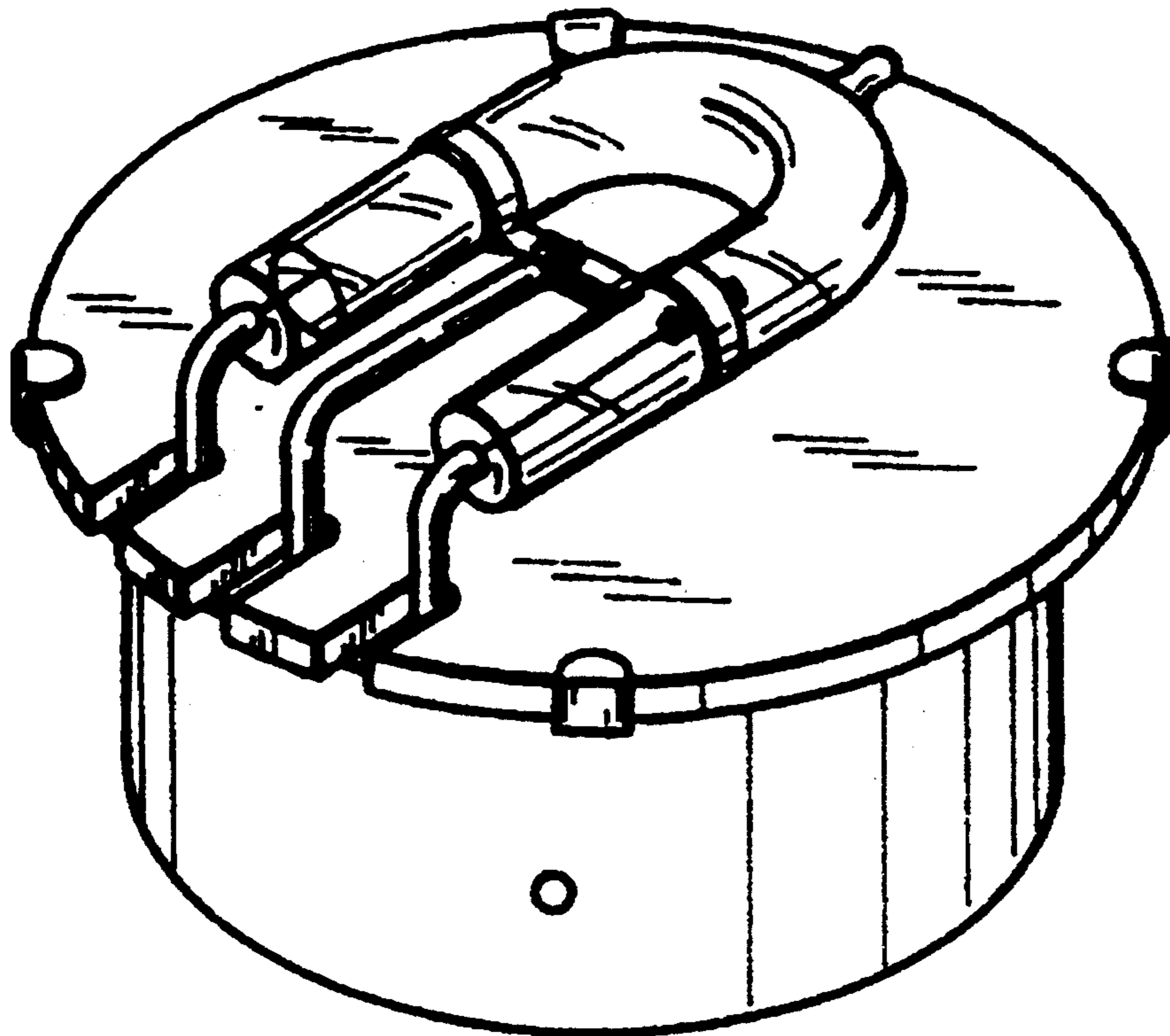
[58] **Field of Search 313/315, 318, 25, 493; 315/57; 362/216, 217, 196-208; D26/24, 1, 2, 3, 37-50**

FIG. 1 of the drawings is an isometric view showing the front, top, and right side of the bulb assembly for a strobe light;
FIG. 2 is a front view of the bulb assembly for a strobe light;
FIG. 3 is a right side view;
FIG. 4 is a top view;
FIG. 5 is a left side view;
FIG. 6 is a back view; and,
FIG. 7 is a bottom view.

[56] **References Cited**

U.S. PATENT DOCUMENTS

D. 312,135 11/1990 Nagano D26/24
D. 336,528 6/1993 Murata D26/25
3,675,073 7/1972 Hogue 315/57



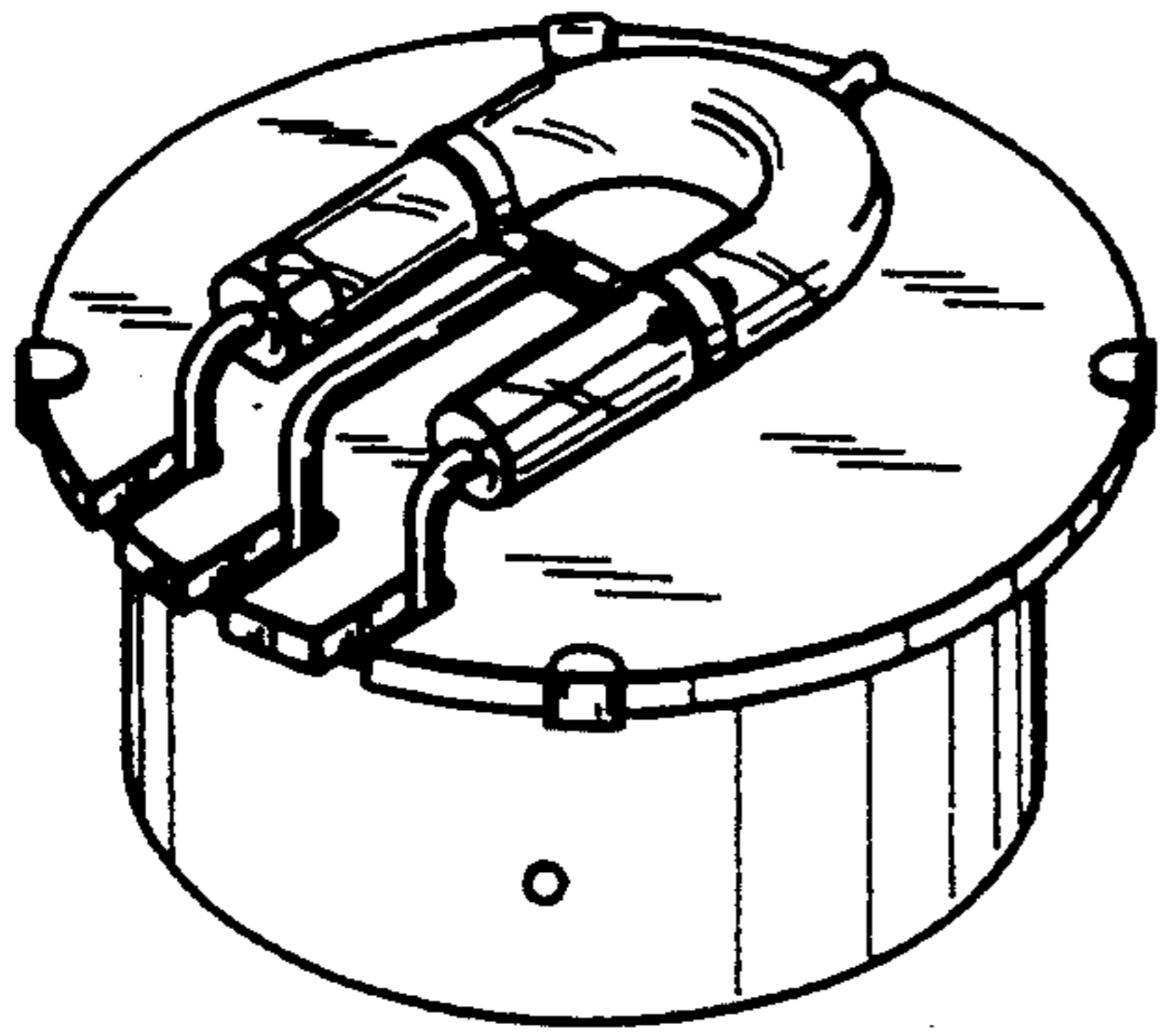


Fig. 1

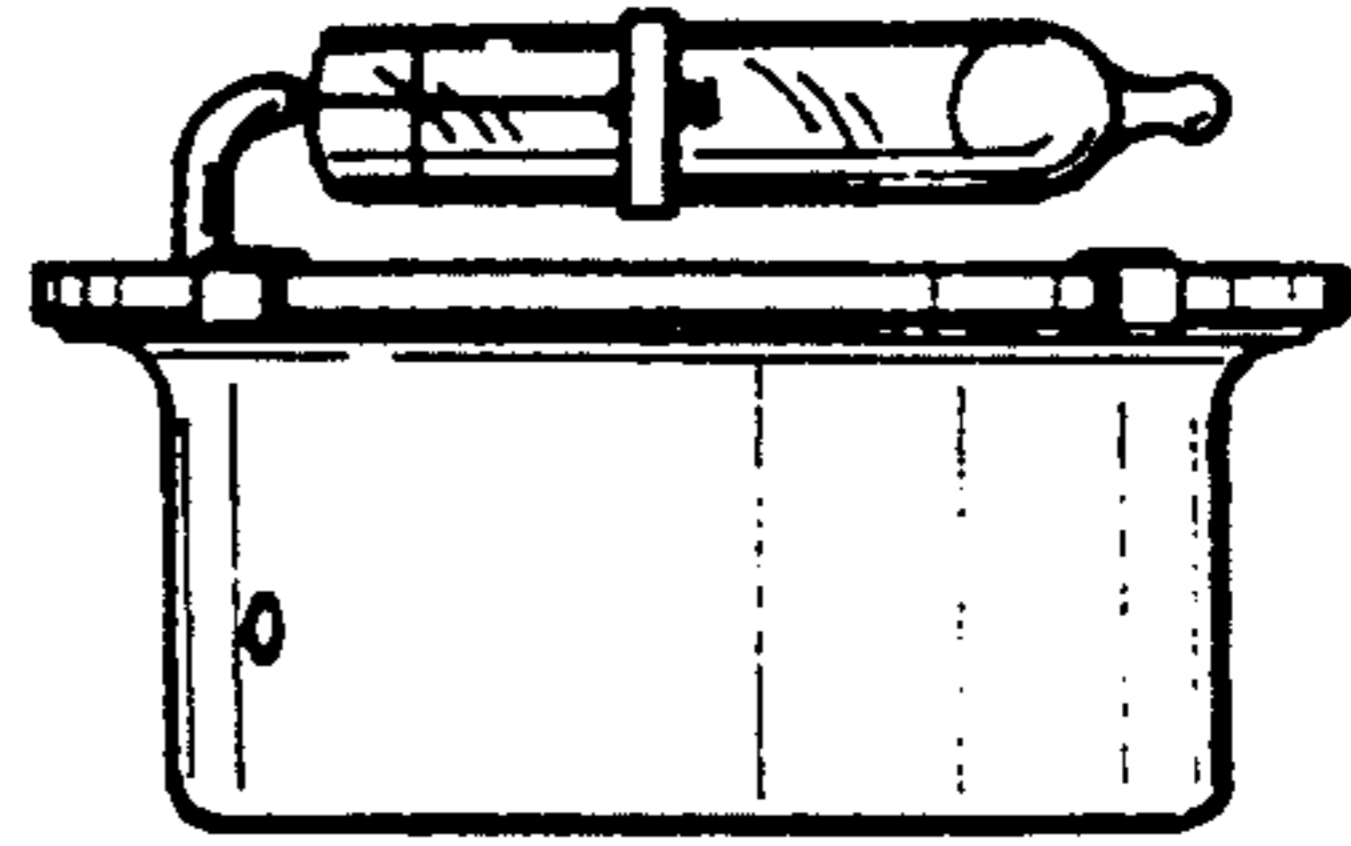


Fig. 3

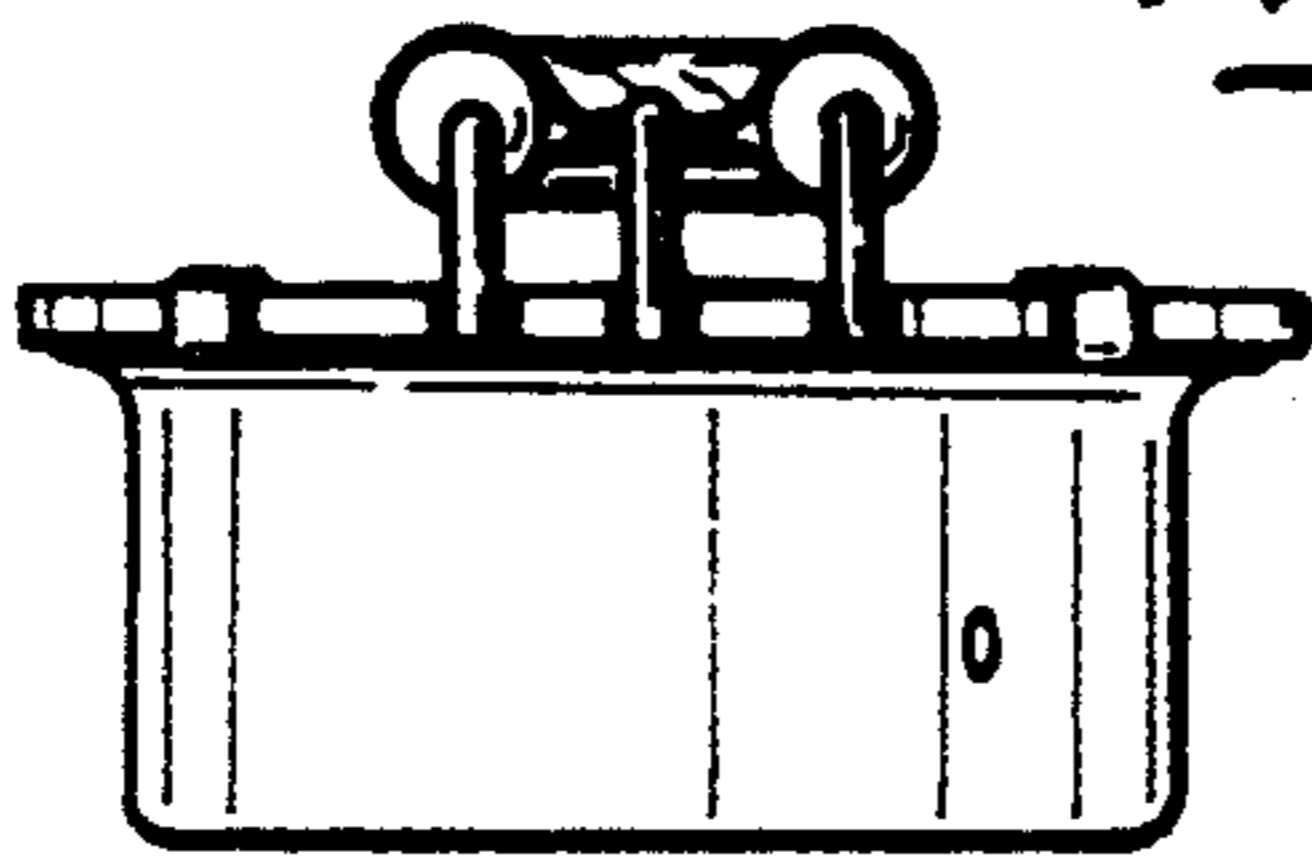


Fig. 2

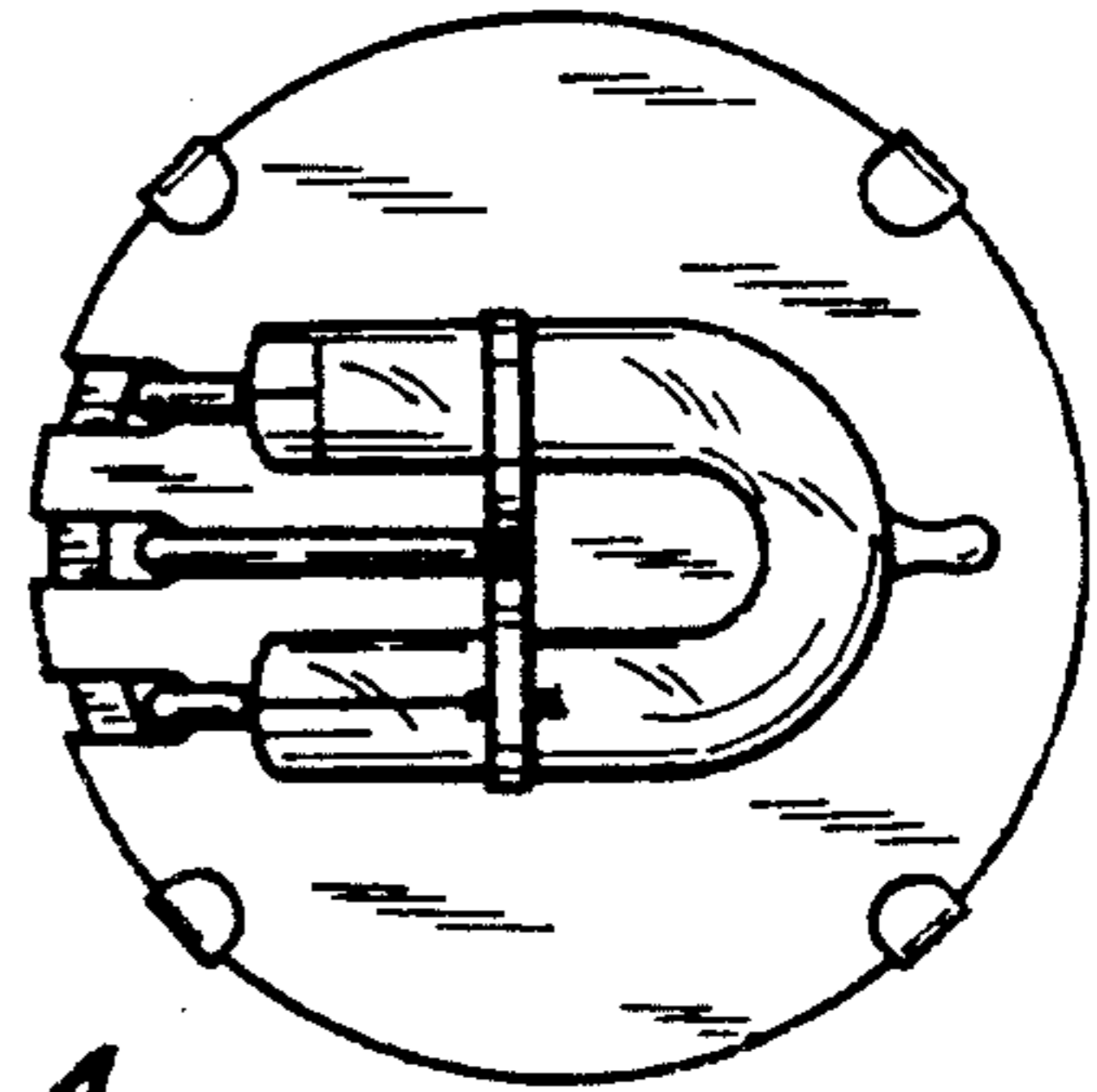


Fig. 4

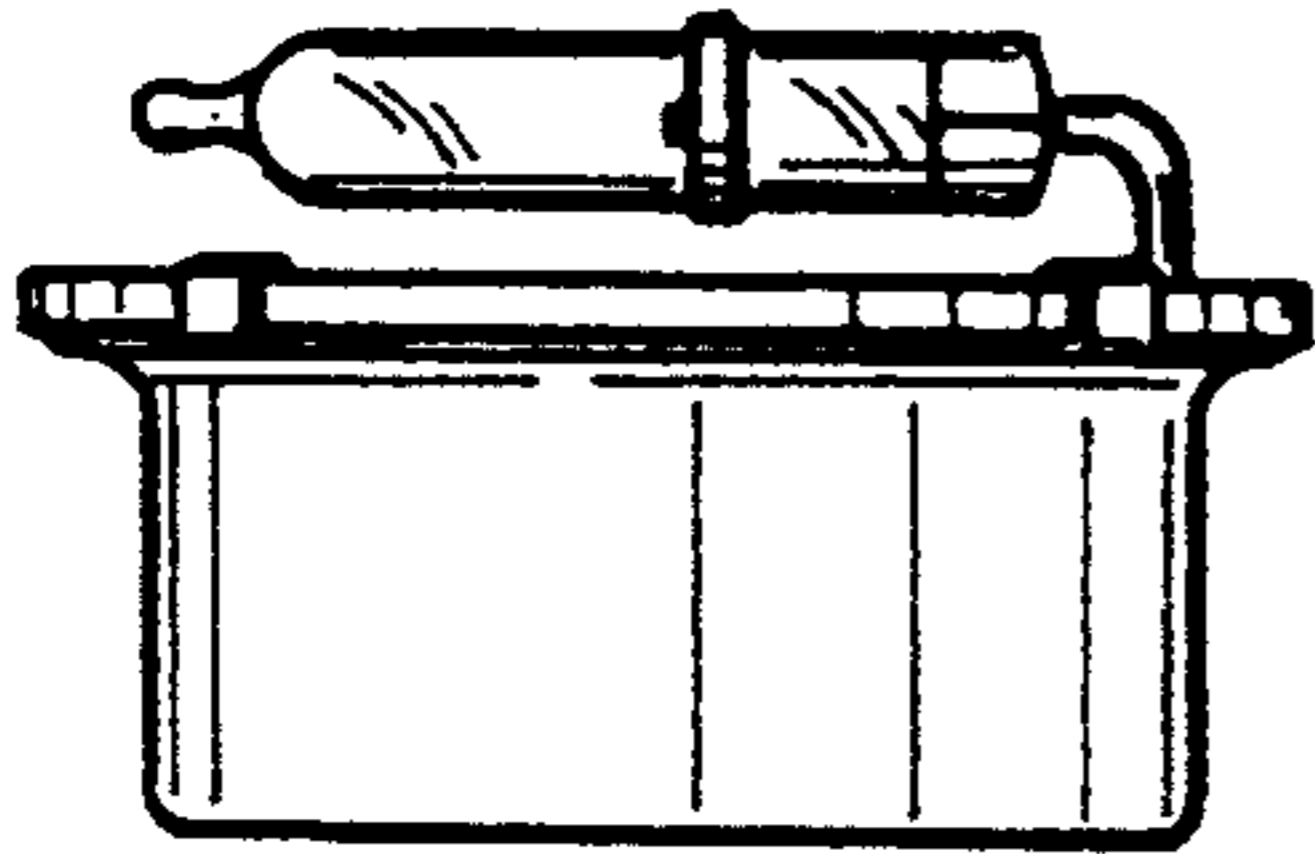


Fig. 5

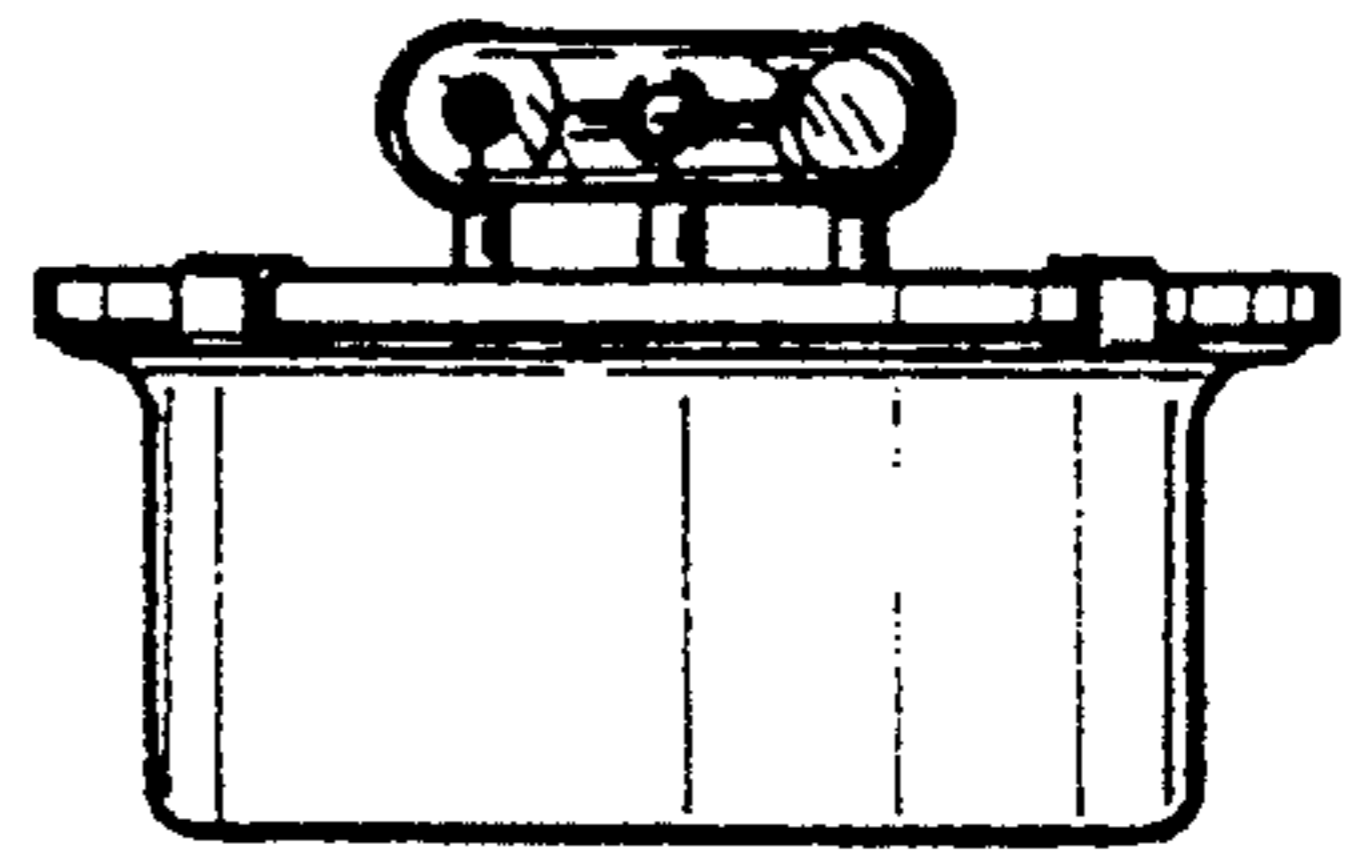


Fig. 6

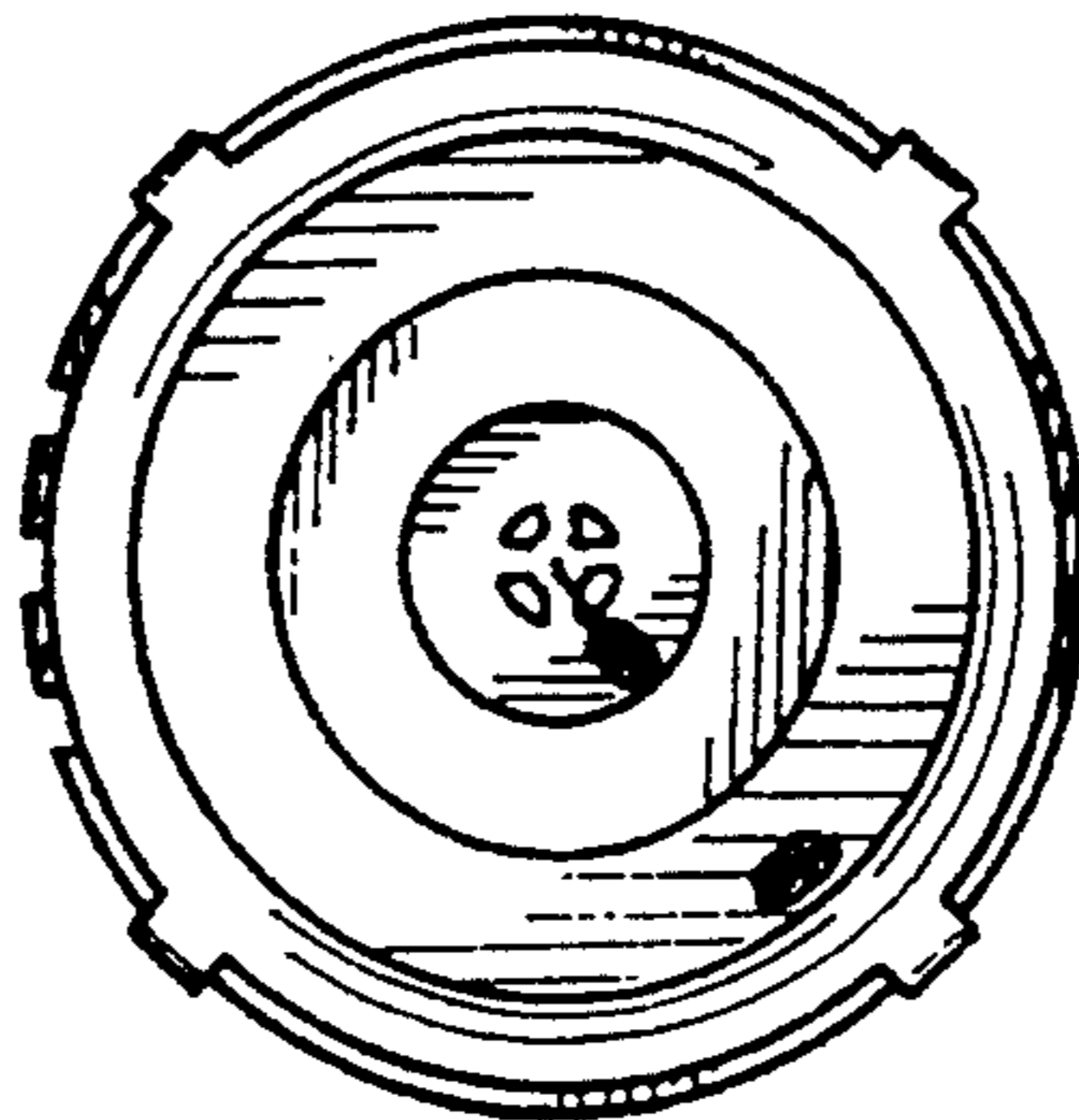


Fig. 7