



US00D349815S

United States Patent [19]

[11] Patent Number: **Des. 349,815**

Wolff

[45] Date of Patent: **** Aug. 23, 1994**

[54] **COSMETIC TRAY**

[75] Inventor: **Stacy L. Wolff, Akron, Ohio**

[73] Assignee: **Rubbermaid Incorporated, Wooster, Ohio**

[**] Term: **14 Years**

[21] Appl. No.: **3,587**

[22] Filed: **Jan. 8, 1993**

[52] U.S. Cl. **D3/319; D6/510; D28/61; D28/73**

[58] **Field of Search** **D7/500, 505, 543, 550, D7/553, 555; D3/205, 304, 307, 310, 313, 318, 319, 901, 905; D9/341, 347; D6/524, 527, 526, 540, 567, 571, 475, 510; 206/581, 574, 557, 561, 235; 132/286, 287, 294, 295, 314, 315; 220/570, 23.86, 4.07, 555, 23.2, 23.4, 23.83; 190/35; D28/61, 73-75; D19/75, 77, 92; D24/121, 123, 227, 229**

[56] **References Cited**

U.S. PATENT DOCUMENTS

- D. 116,272 8/1939 Keen D28/61 X
- D. 144,743 5/1946 Sussman .
- D. 148,374 1/1948 Malco D28/73
- D. 222,520 10/1971 Caine D28/73 X
- D. 336,406 6/1993 Wytiuk D7/553
- D. 342,806 12/1993 Jones et al. D28/73
- 2,219,597 10/1940 Lutz 206/12
- 4,262,685 4/1981 Workman et al. 132/315
- 4,577,773 3/1986 Bitel D3/304 X

OTHER PUBLICATIONS

5 catalog pages, Jammers ®, a Division of Plano Molding Company, 431 E. South St., Plano, Il. 60545-1601; 1992.

1 page, Sassaby, Sassaby Ltd., Del Mar, Ca. 92014; 1991.

4 catalog pages, Tray Chic, Cosmepak, Division of FPI Thermoplastic Technologies, Hanover Ave. and Horsehill Rd., P.O. Box 1907, Morristown, N.J. 07962-1907; undated.

2 catalog pages, Bathline, Cosmepak, Division of FPI Thermoplastic Technologies, Hanover Ave. and Horsehill Rd., P.O. Box 1907, Morristown, N.J. 07962-1907; undated.

4 catalog pages, Keepit, Cosmepak, Division of FPI Thermoplastic Technologies, Hanover Ave. and Horsehill Rd., P.O. Box 1907, Morristown, N.J. 07962-1907; undated.

4 catalog pages, Little Princess Hair and Jewelry Castle, Cosmepak, Division of FPI Thermoplastic Technologies, Hanover Ave. and Horsehill Rd., P.O. Box 1907, Morristown, N.J. 07962-1907; undated.

16 catalog pages, Caboodles, a Division of Plano Molding Company, 431 E. South Street, Plano, IL 60545-1601; 1992.

Primary Examiner—Bernard Ansher

Assistant Examiner—C. Tuttle

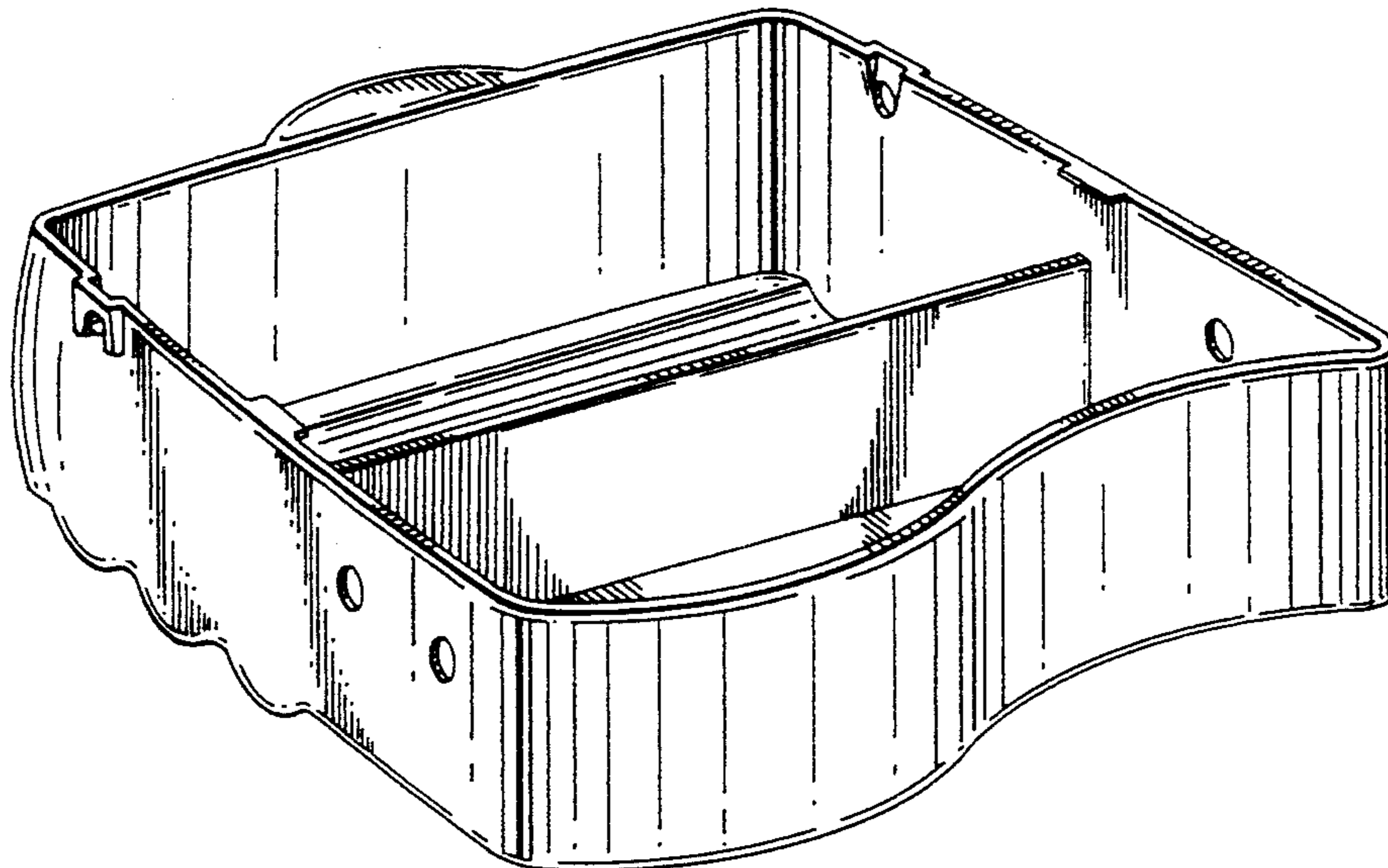
Attorney, Agent, or Firm—Renner, Kenner, Greive, Bobak, Taylor & Weber

[57] **CLAIM**

The ornamental design for a cosmetic tray, as shown and described.

DESCRIPTION

FIG. 1 is a perspective view of a cosmetic tray embodying my new design;
FIG. 2 is a left side elevational view thereof;
FIG. 3 is a right side elevational view thereof;
FIG. 4 is a rear elevational view thereof;
FIG. 5 is a front elevational view thereof;
FIG. 6 is a top plan view thereof; and,
FIG. 7 is a bottom plan view thereof.



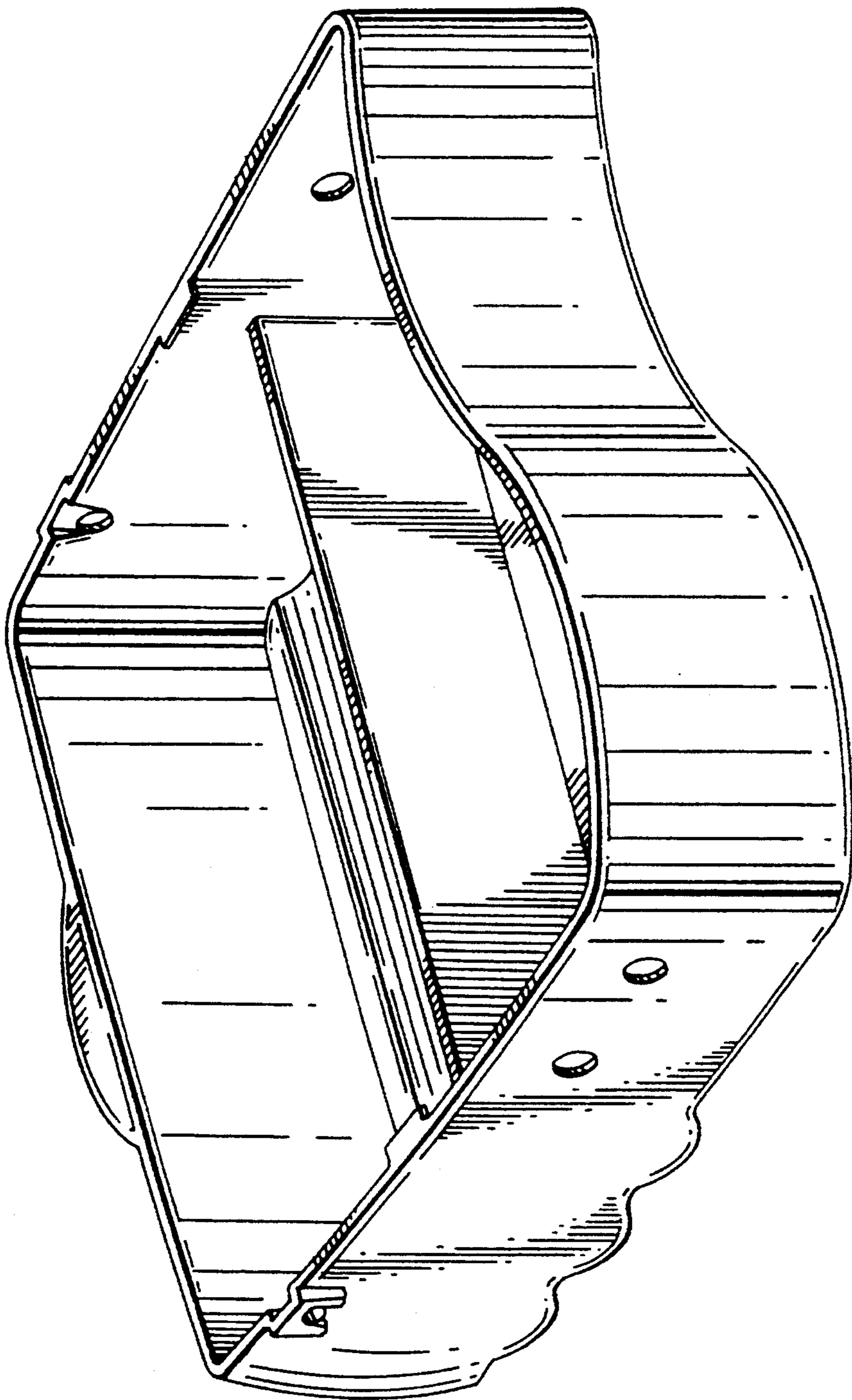


FIG. 1

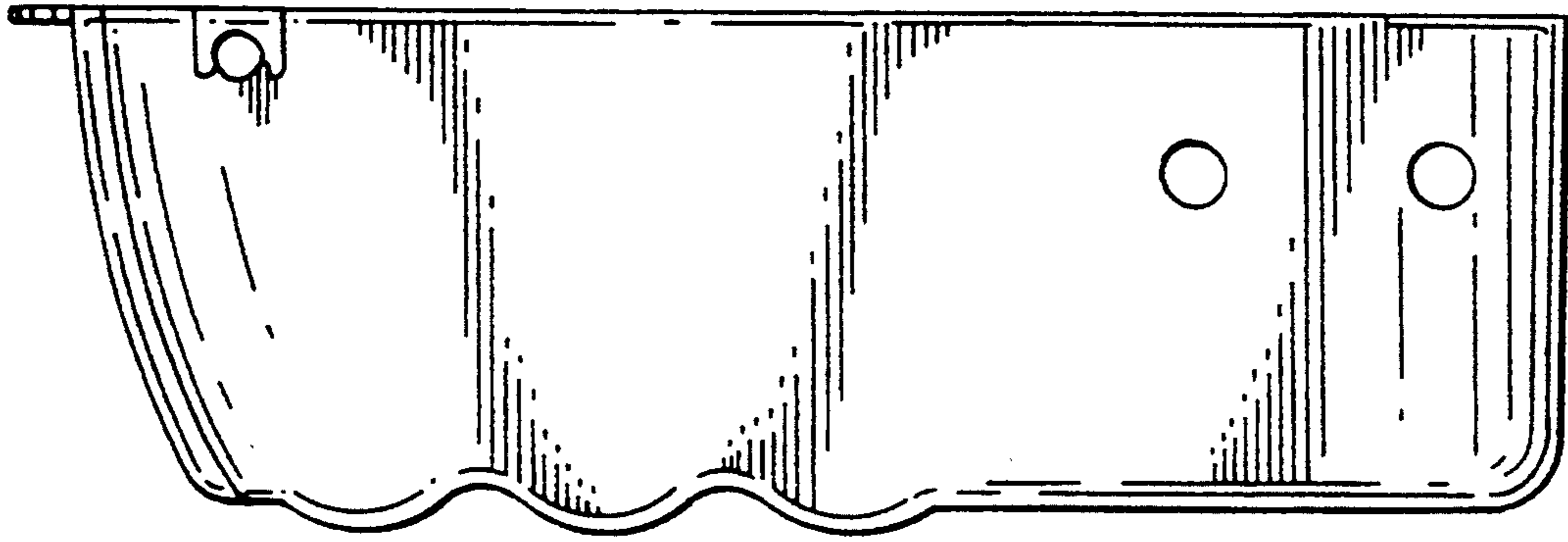


FIG. 2

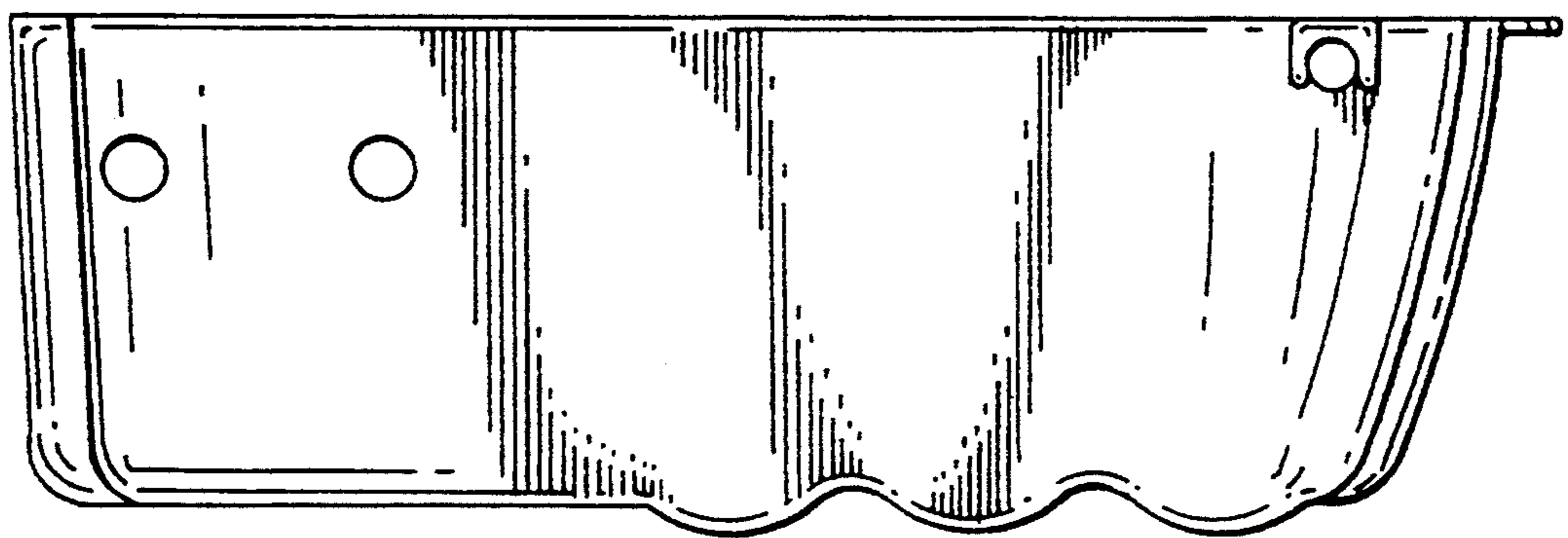


FIG. 3

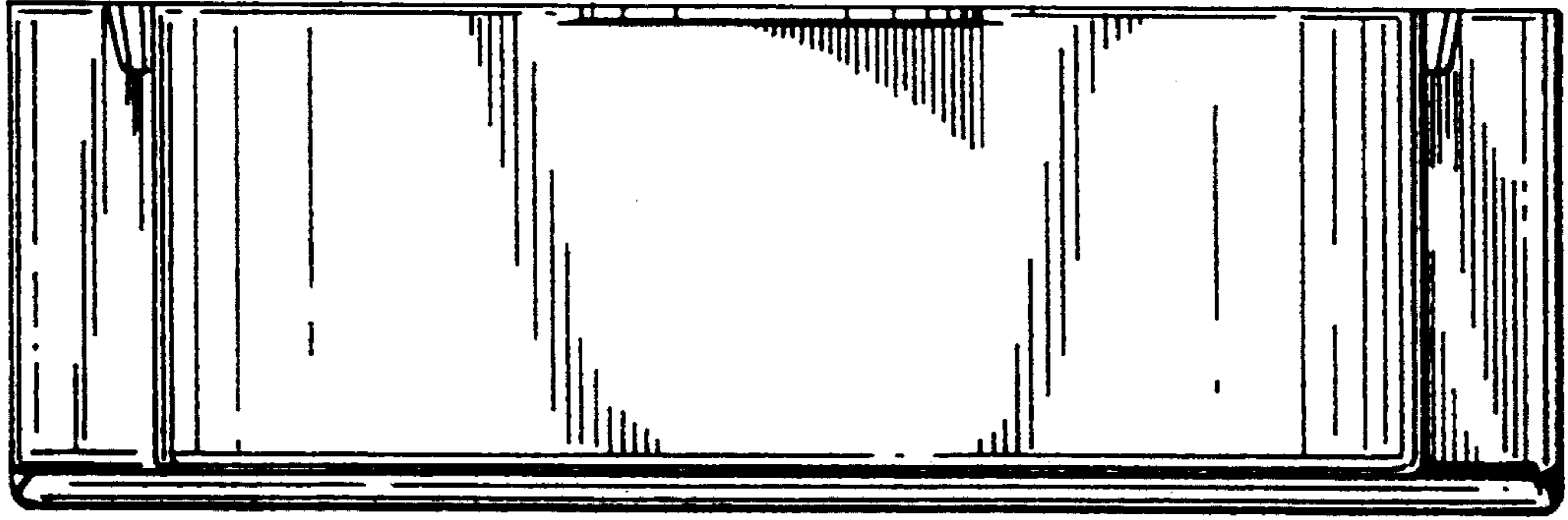


FIG. 4

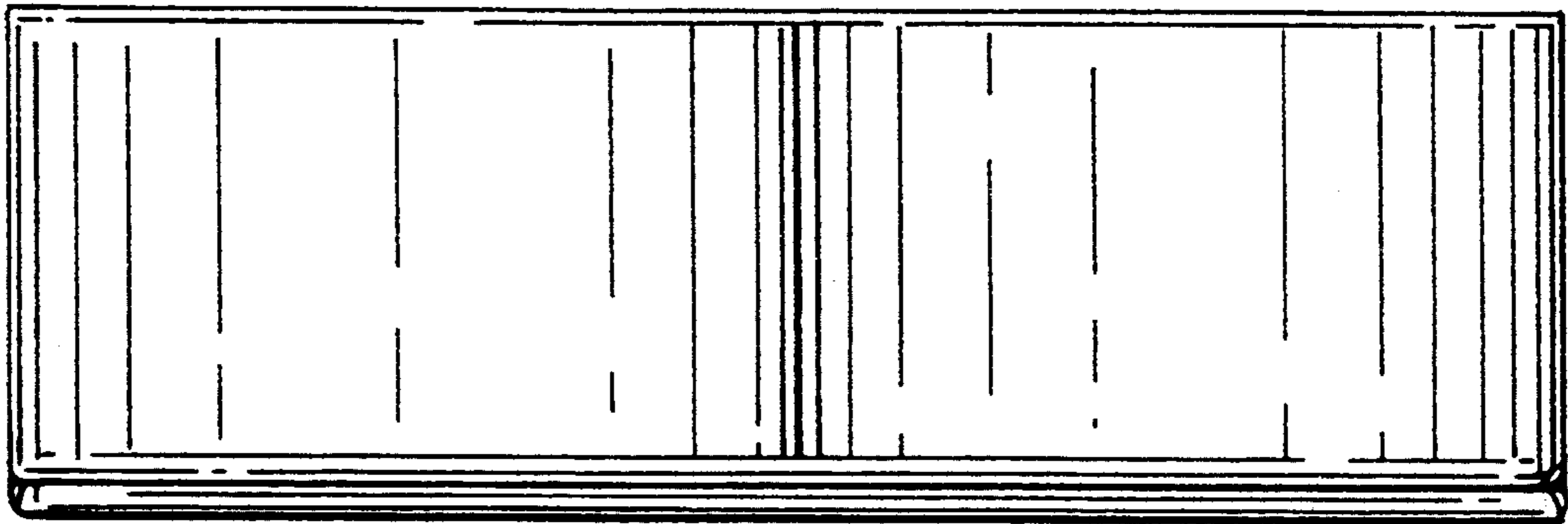


FIG. 5

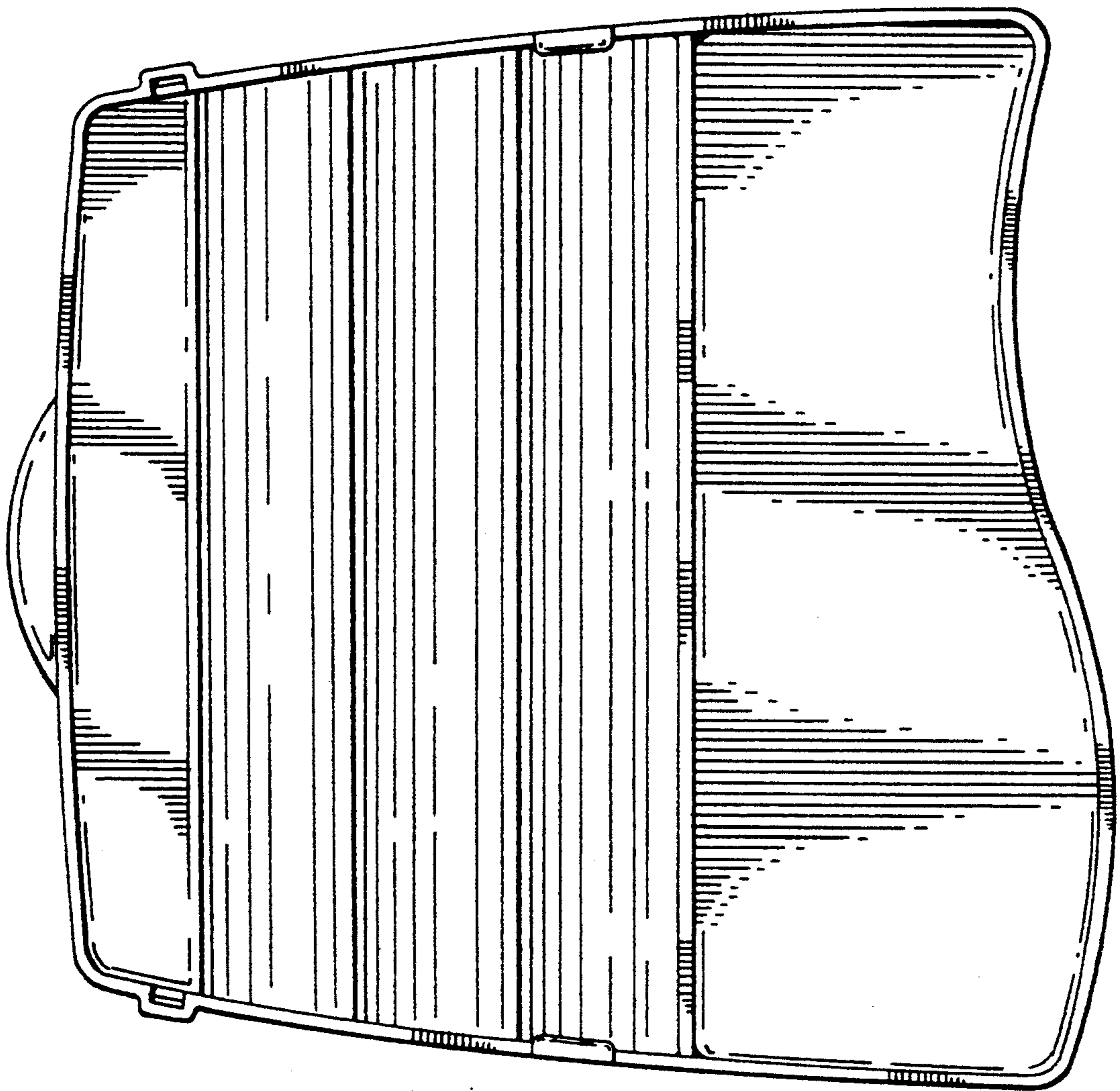


FIG. 6

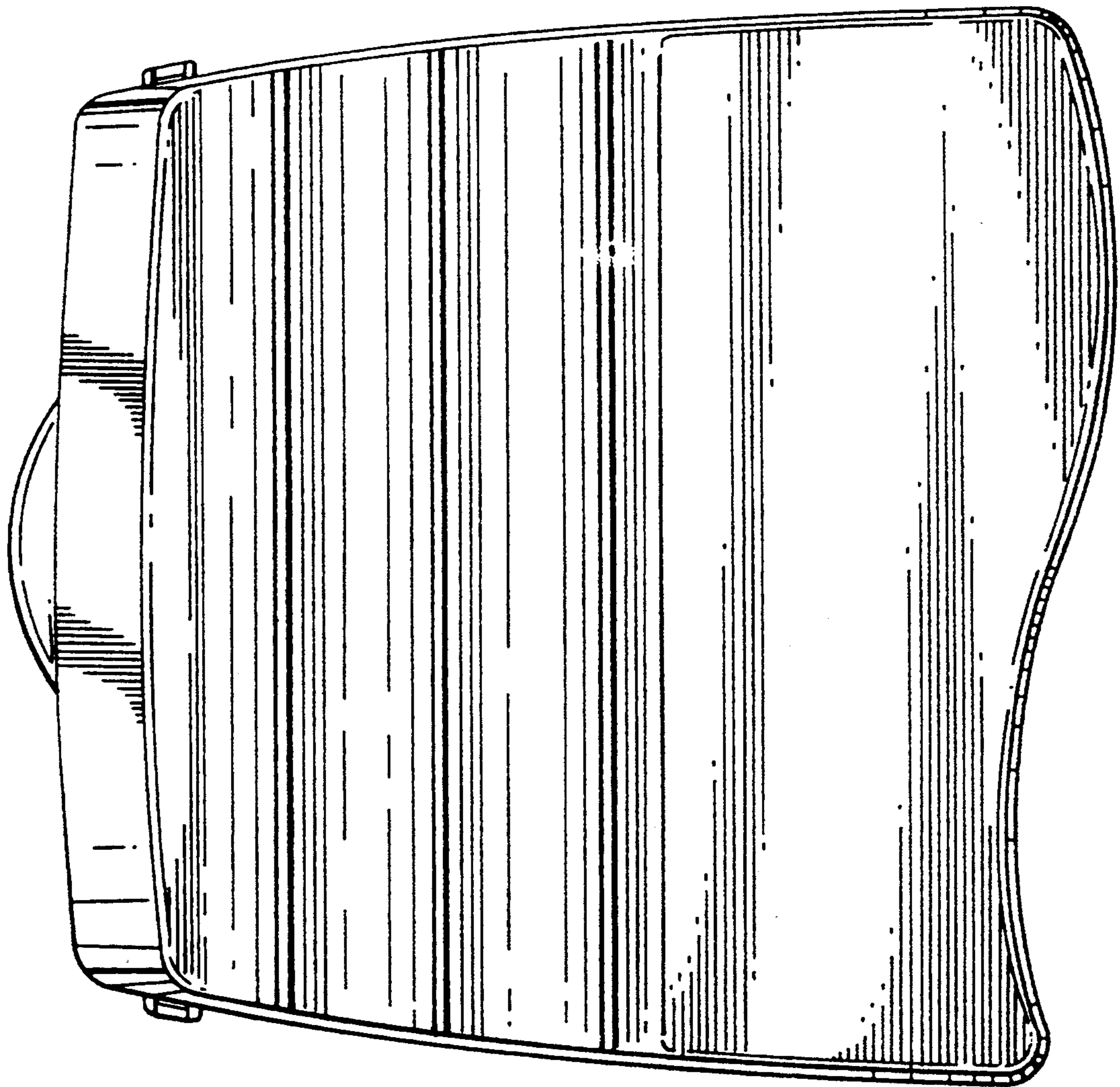


FIG. 7