



US00D349812S

# United States Patent [19]

[11] Patent Number: **Des. 349,812**

Rockery et al.

[45] Date of Patent: **\*\* Aug. 23, 1994**

[54] **MEMENTO STORAGE BOX**

[76] Inventors: **Ed Rockery; Joan Rockery**, both of  
292 Marlborough St., Brantford,  
Ontario, Canada, N3S 4T5

[\*\*] Term: **14 Years**

[21] Appl. No.: **932,054**

[22] Filed: **Aug. 20, 1992**

[52] U.S. Cl. .... **D3/273**

[58] Field of Search ..... D3/75, 74, 78, 40, 30.1,  
D3/39, 70; D9/423, 432; D6/440, 441, 442;  
206/566; 220/DIG. 26, 355, 305, 457, 8, 581,  
823; D28/73, 82, 83

[56] **References Cited**

**U.S. PATENT DOCUMENTS**

- D. 59,616 11/1921 Wright ..... D9/423
- D. 110,113 6/1938 Marcoll ..... D3/39
- D. 281,466 11/1985 Minsky ..... D3/78
- D. 281,548 12/1985 Minsky ..... D3/78
- D. 281,549 12/1985 Minsky ..... D3/78

- D. 294,432 3/1988 Henson ..... D3/74
- 1,774,430 8/1930 Flier ..... 206/566 X
- 2,962,156 11/1960 Adams .
- 3,930,702 1/1976 Pichowicz .
- 4,717,024 1/1988 Djezovic .

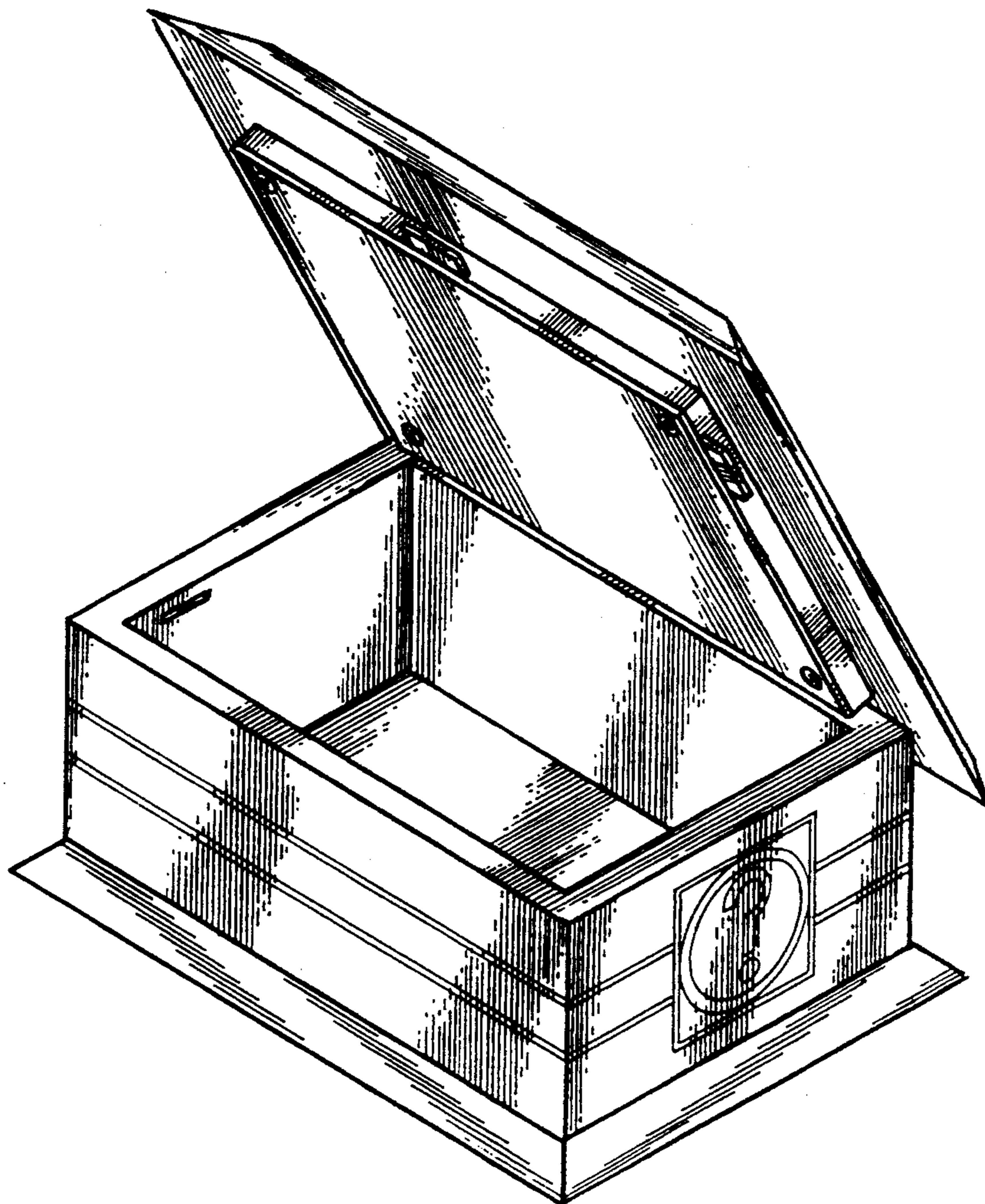
*Primary Examiner*—Bernard Ansher  
*Assistant Examiner*—Paula Mortimer  
*Attorney, Agent, or Firm*—Terry M. Gernstein

[57] **CLAIM**

The ornamental design for a memento storage box, as shown and described.

**DESCRIPTION**

FIG. 1 is a top perspective view of a memento storage box showing my new design in an open condition the round items on the top and ends are ornamentation; FIG. 2 is a front elevational view thereof; FIG. 3 is a rear elevational view thereof; FIG. 4 is an end elevational view thereof, the end opposite being a mirror image of the end shown in FIG. 4; FIG. 5 is a top plan view thereof; and, FIG. 6 is a bottom plan view thereof.



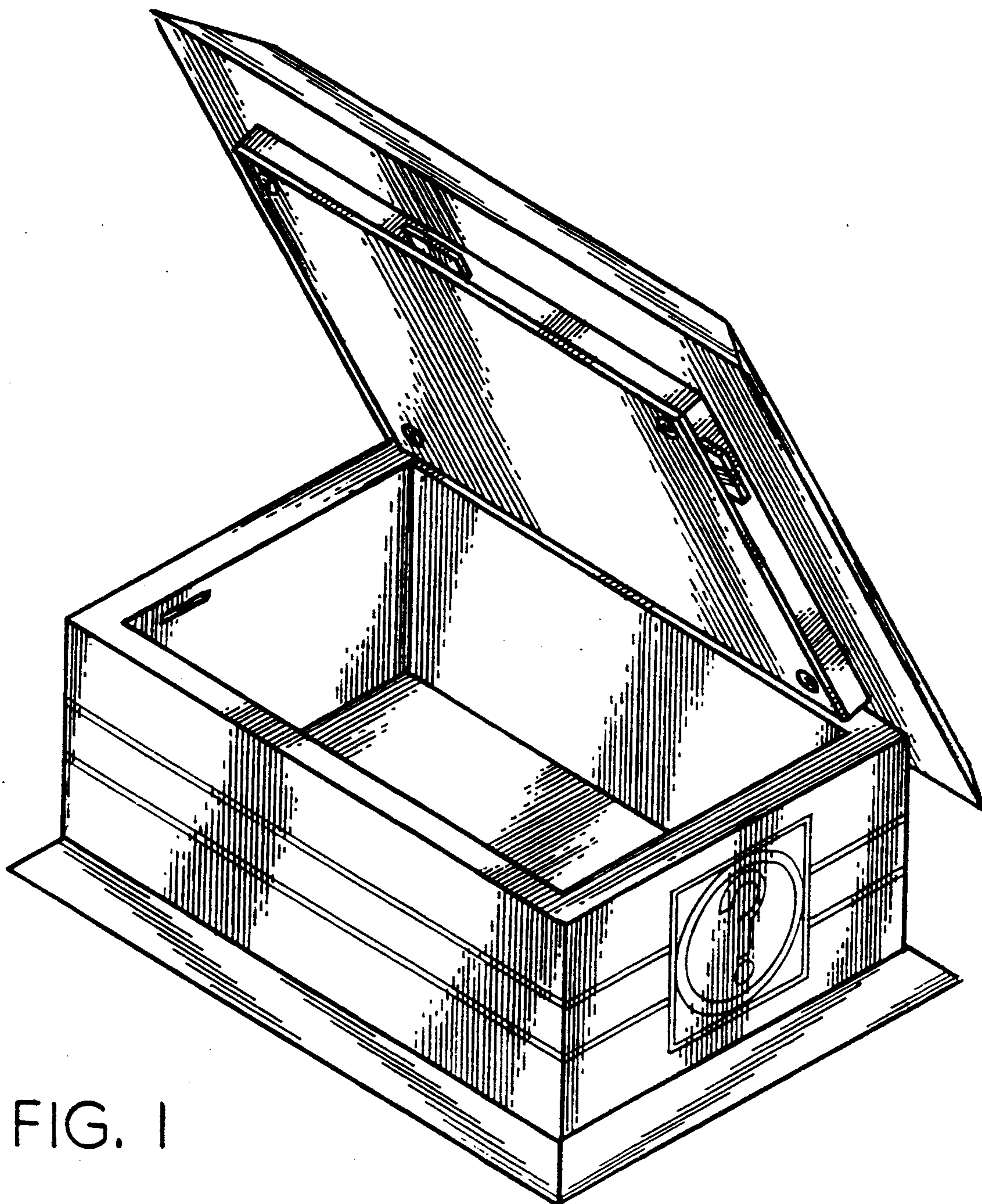


FIG. 1

FIG. 2

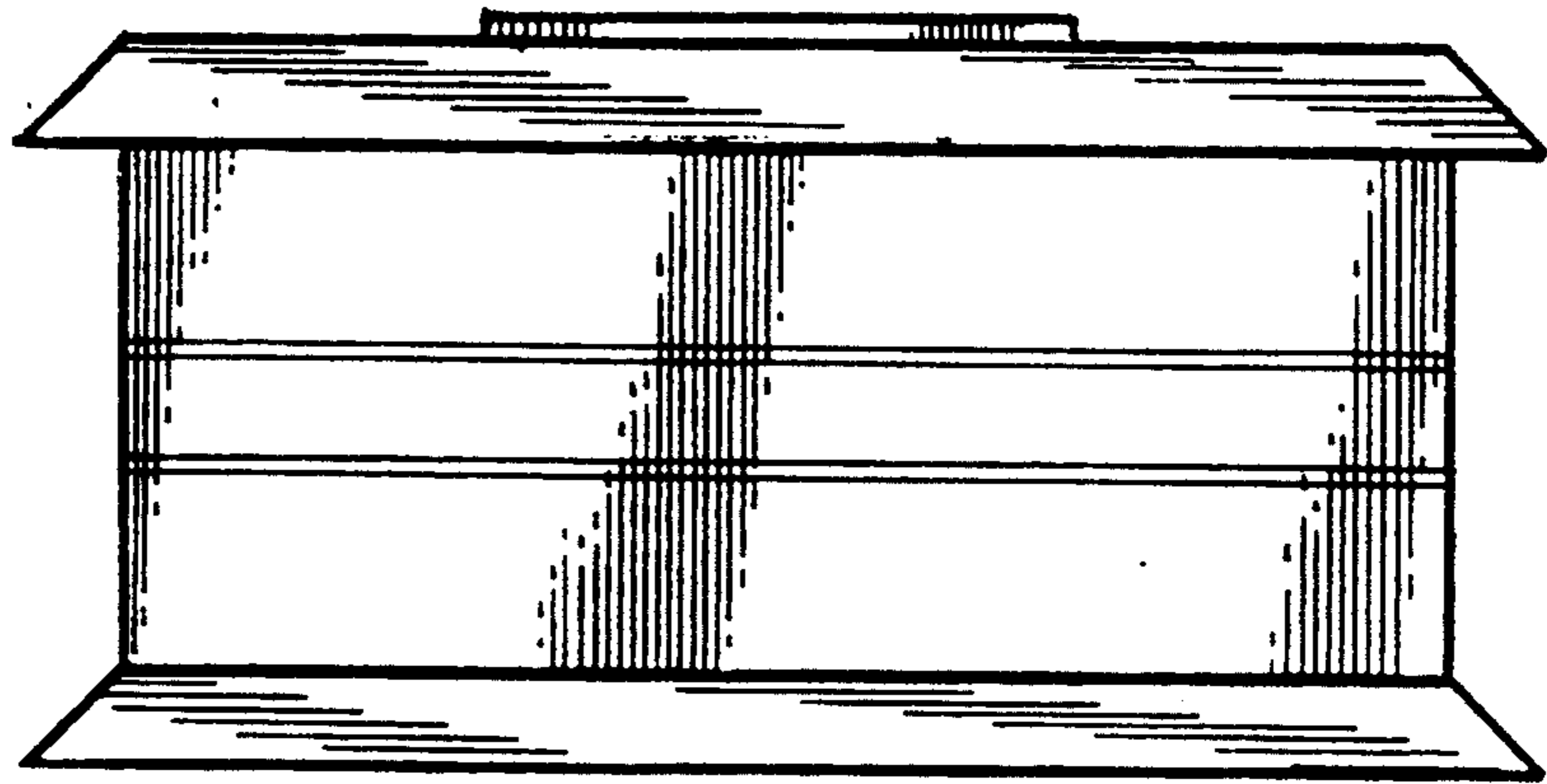


FIG. 3

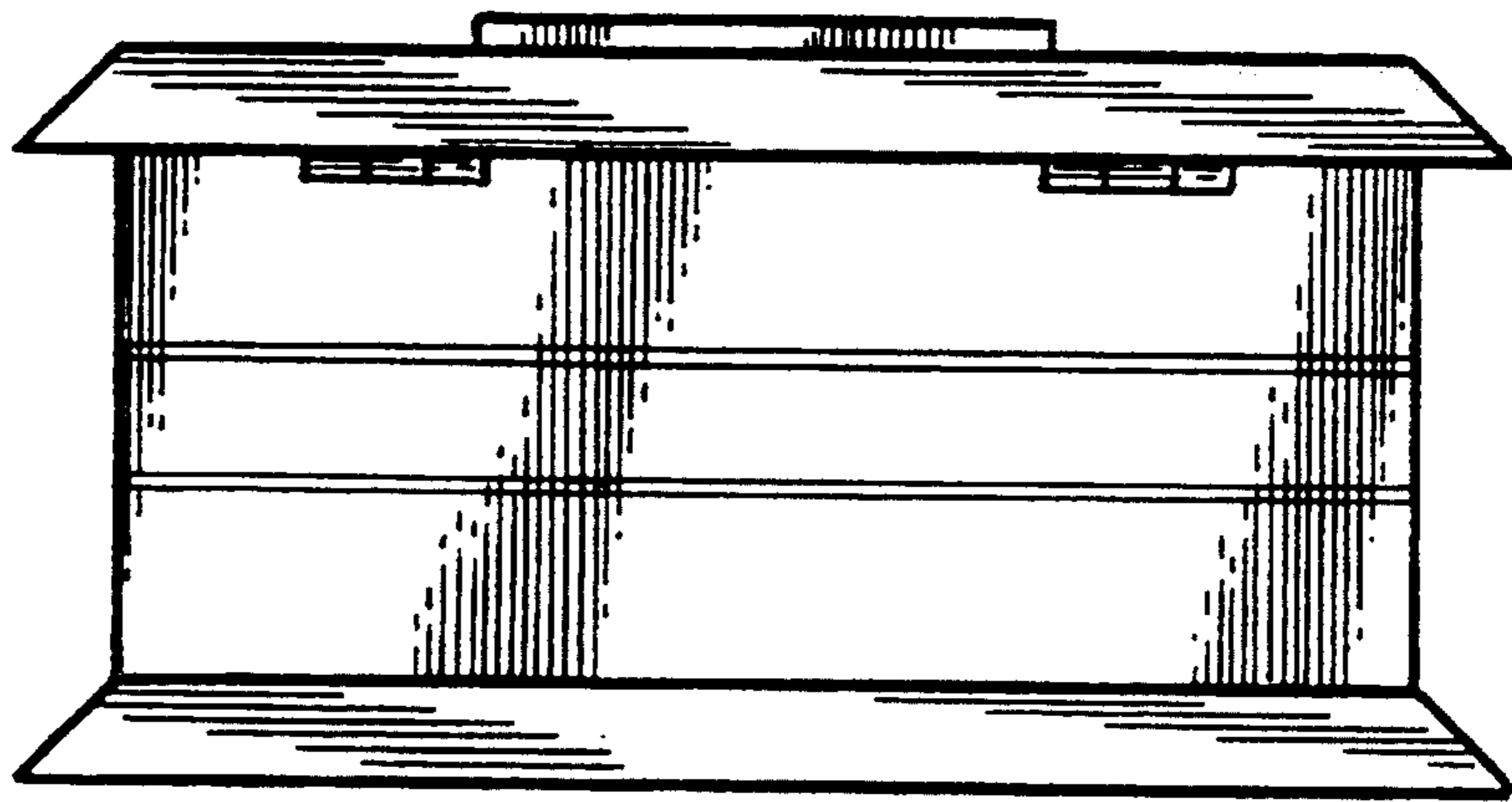


FIG. 4

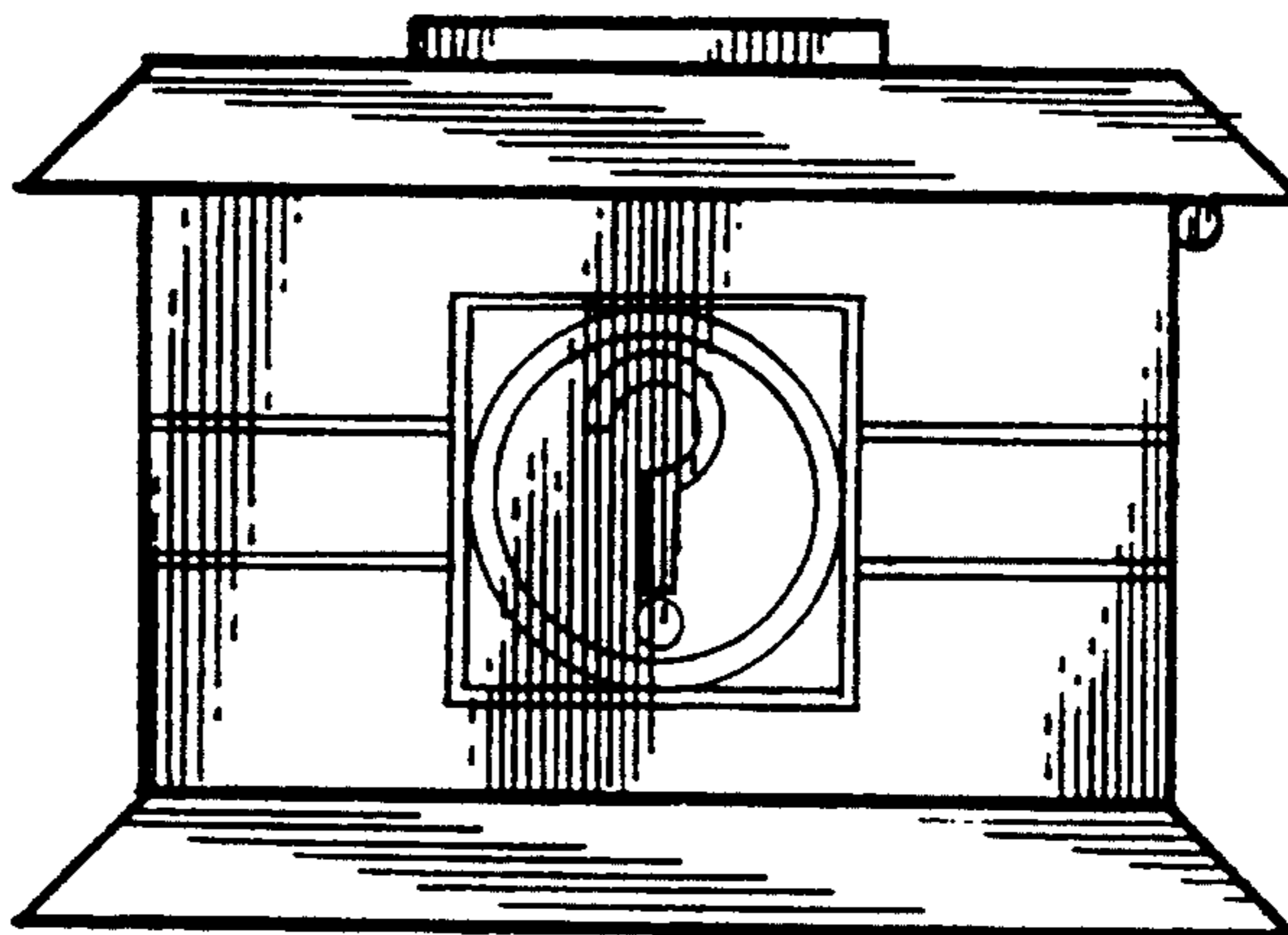


FIG. 5

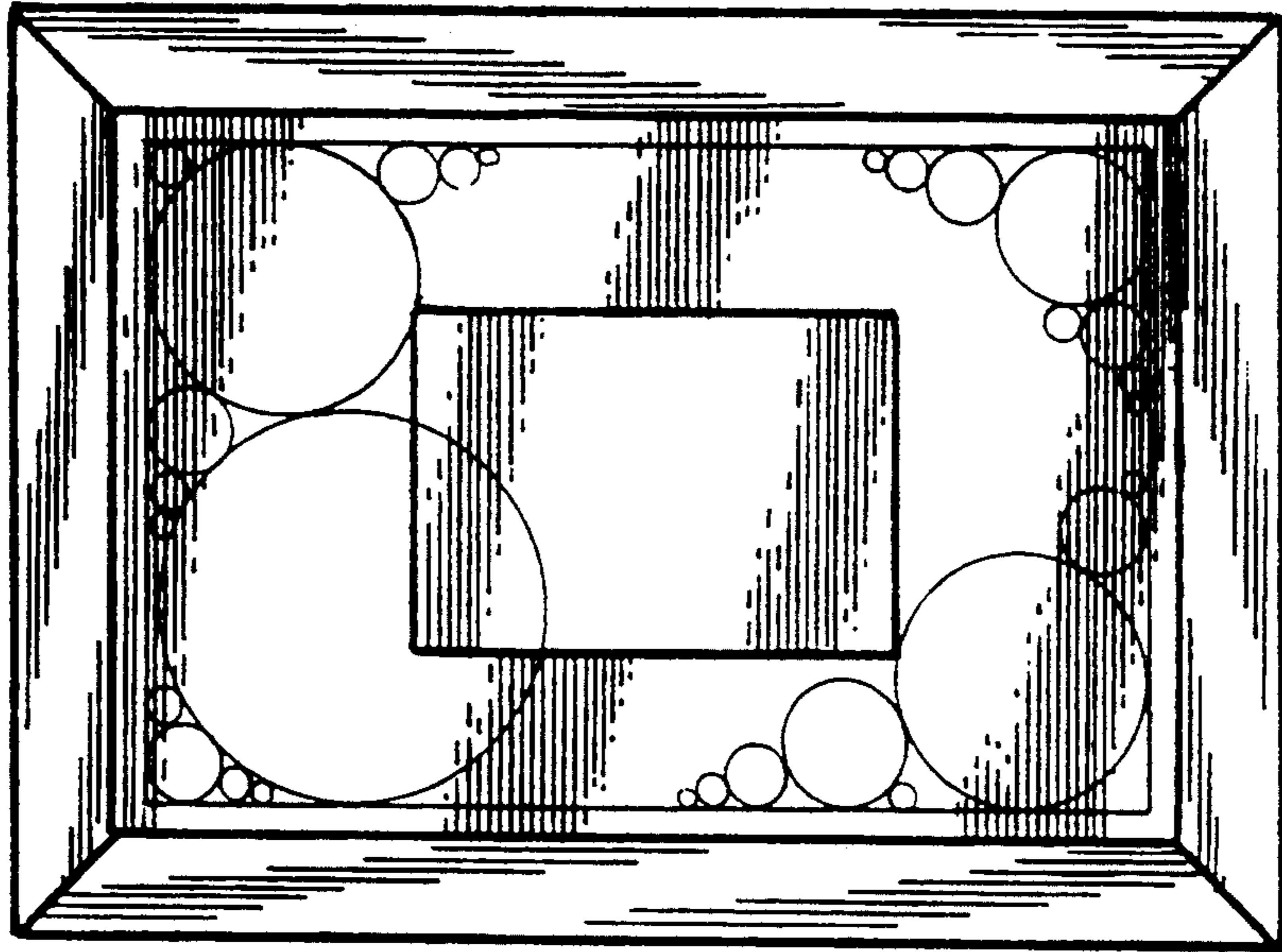


FIG. 6

