



US00D349799S

United States Patent [19]

[11] Patent Number: **Des. 349,799**

Caldwell et al.

[45] Date of Patent: **** Aug. 16, 1994**

[54] **BEACH CADDY**

[76] Inventors: **Donald A. Caldwell**, 1145 Patricia Dr., Allentown, Pa. 18103; **Rick J. Heller**, 458 Edgemont Ave., Palmerton, Pa. 18071; **Robert A. Boehret**, 1968 Latta St., Allentown, Pa. 18104

[**] Term: **14 Years**

[21] Appl. No.: **3,126**

[22] Filed: **Dec. 29, 1992**

[52] U.S. Cl. **D34/26; D34/24**

[58] Field of Search 280/47.26, 654, 610, 280/47.19, 47.18, 40; D34/12, 24, 25, 26

[56] **References Cited**

U.S. PATENT DOCUMENTS

2,992,011 7/1961 Becan 280/47.26
4,355,818 10/1982 Watts 280/47.26

4,618,157 10/1986 Resnick 280/8
4,659,142 4/1987 Kuchinsky, Jr. 297/118
4,863,075 9/1989 Romer 222/610
4,865,346 9/1989 Carlile 280/654
4,887,837 12/1989 Bonewicz 280/654
5,203,815 4/1993 Miller 280/654

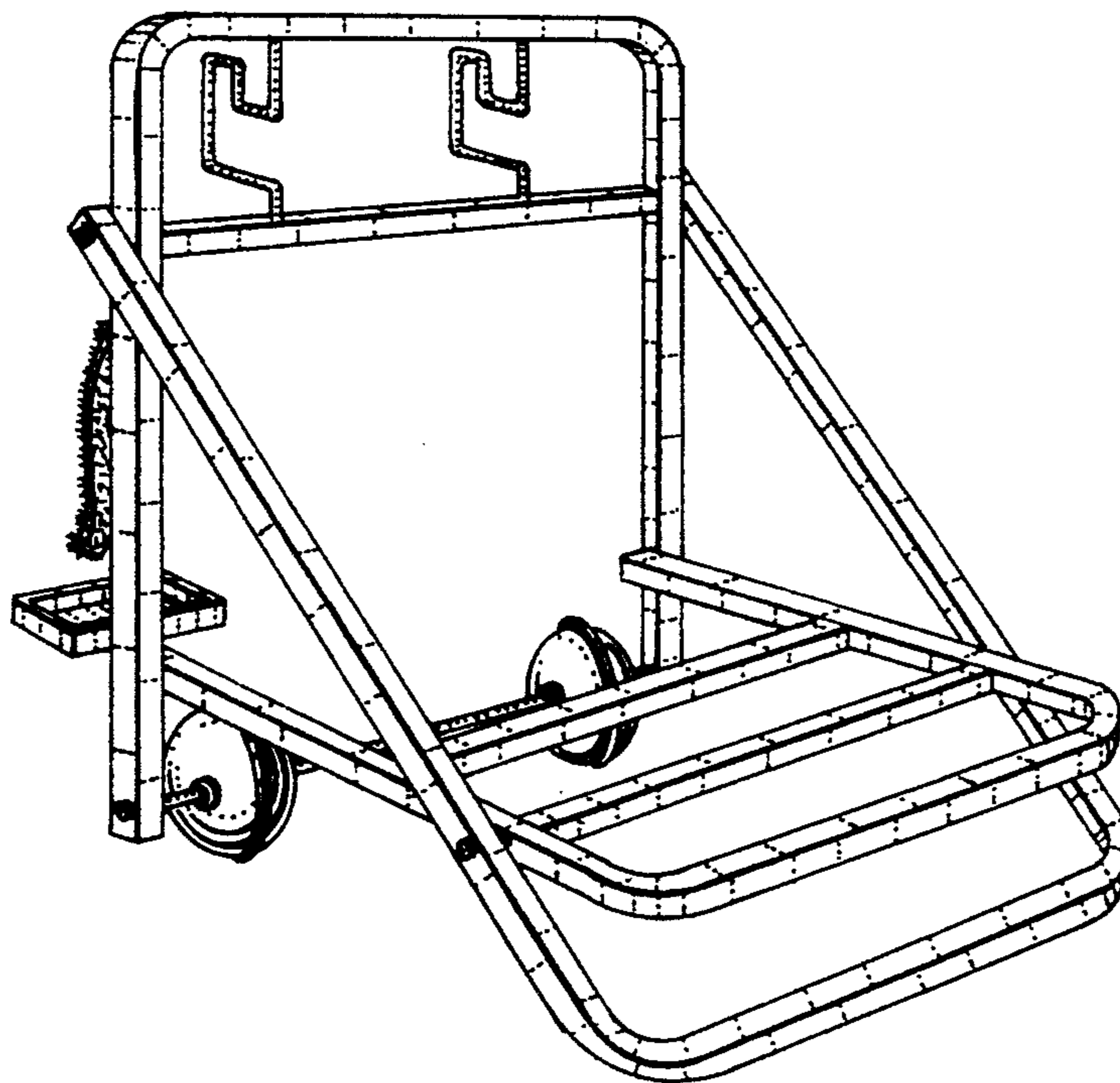
Primary Examiner—Kay H. Chin

[57] CLAIM

The ornamental design for a beach caddy, as shown and described.

DESCRIPTION

FIG. 1 is a perspective view of a beach caddy, showing my new design;
FIG. 2 is a top plan view thereof;
FIG. 3 is a front plan view thereof;
FIG. 4 is a right side elevational view thereof;
FIG. 5 is a left side elevational view thereof;
FIG. 6 is a back elevational view thereof; and,
FIG. 7 is a bottom elevational view thereof.



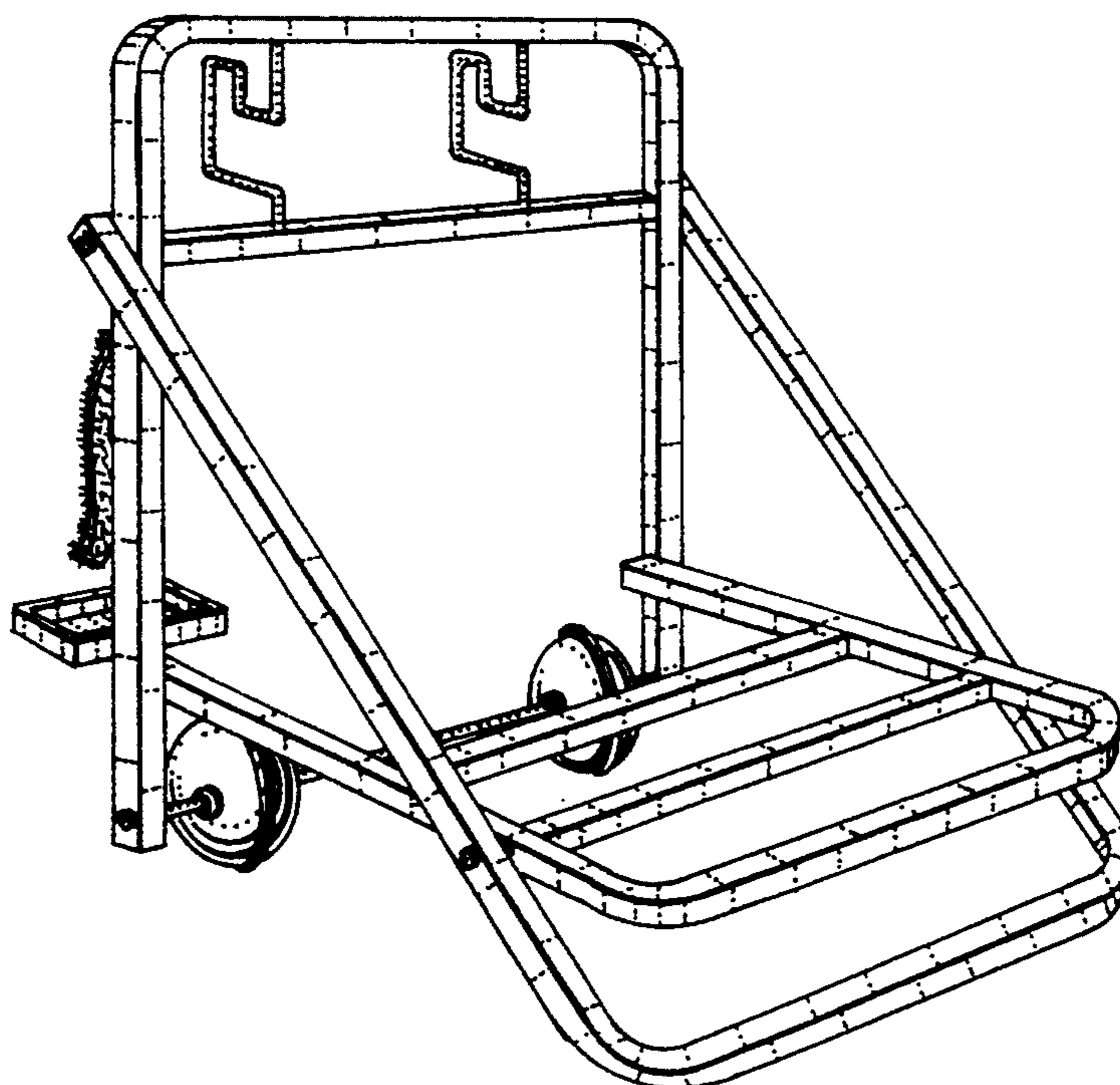


Fig. 1.

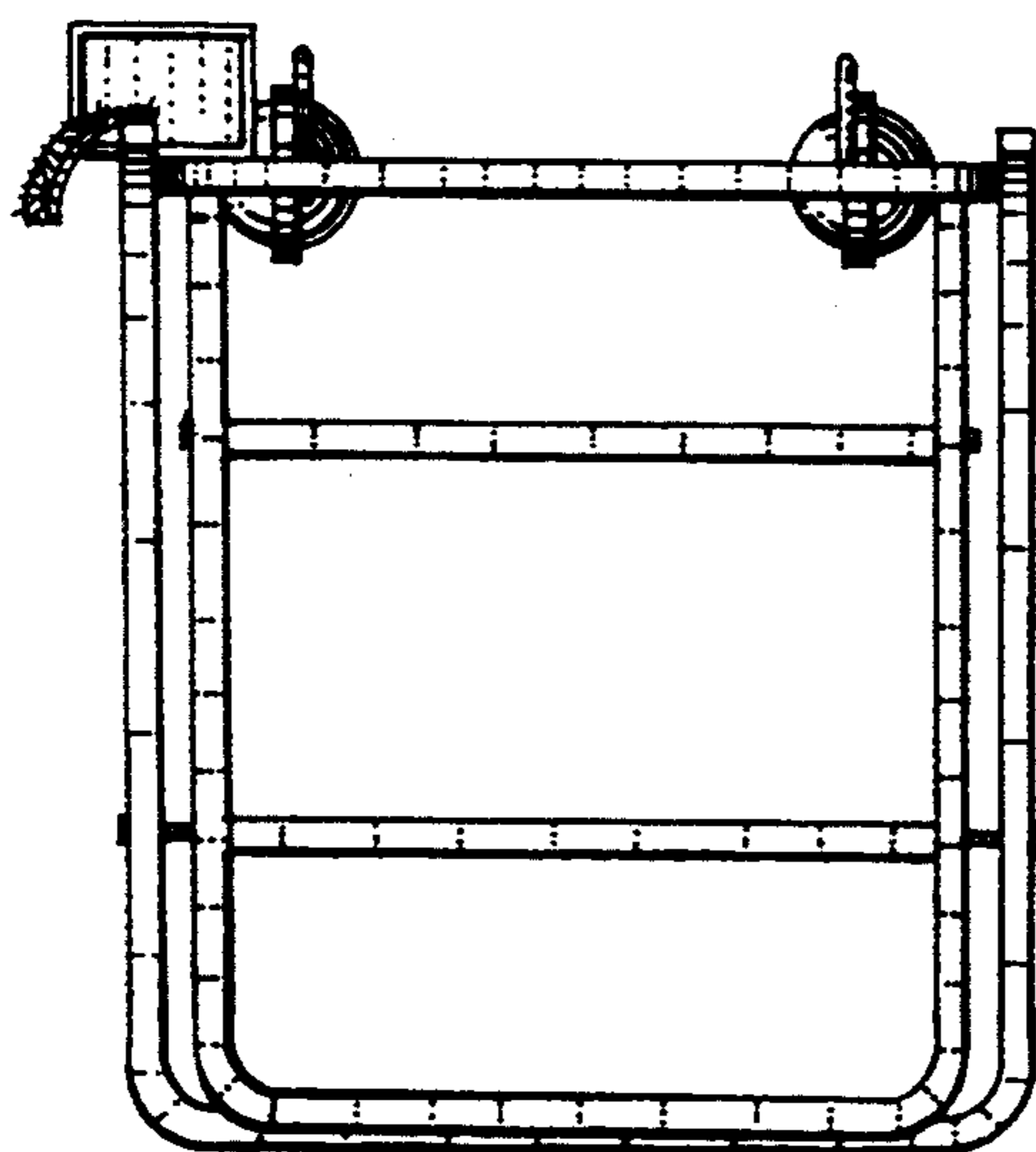


Fig. 2.

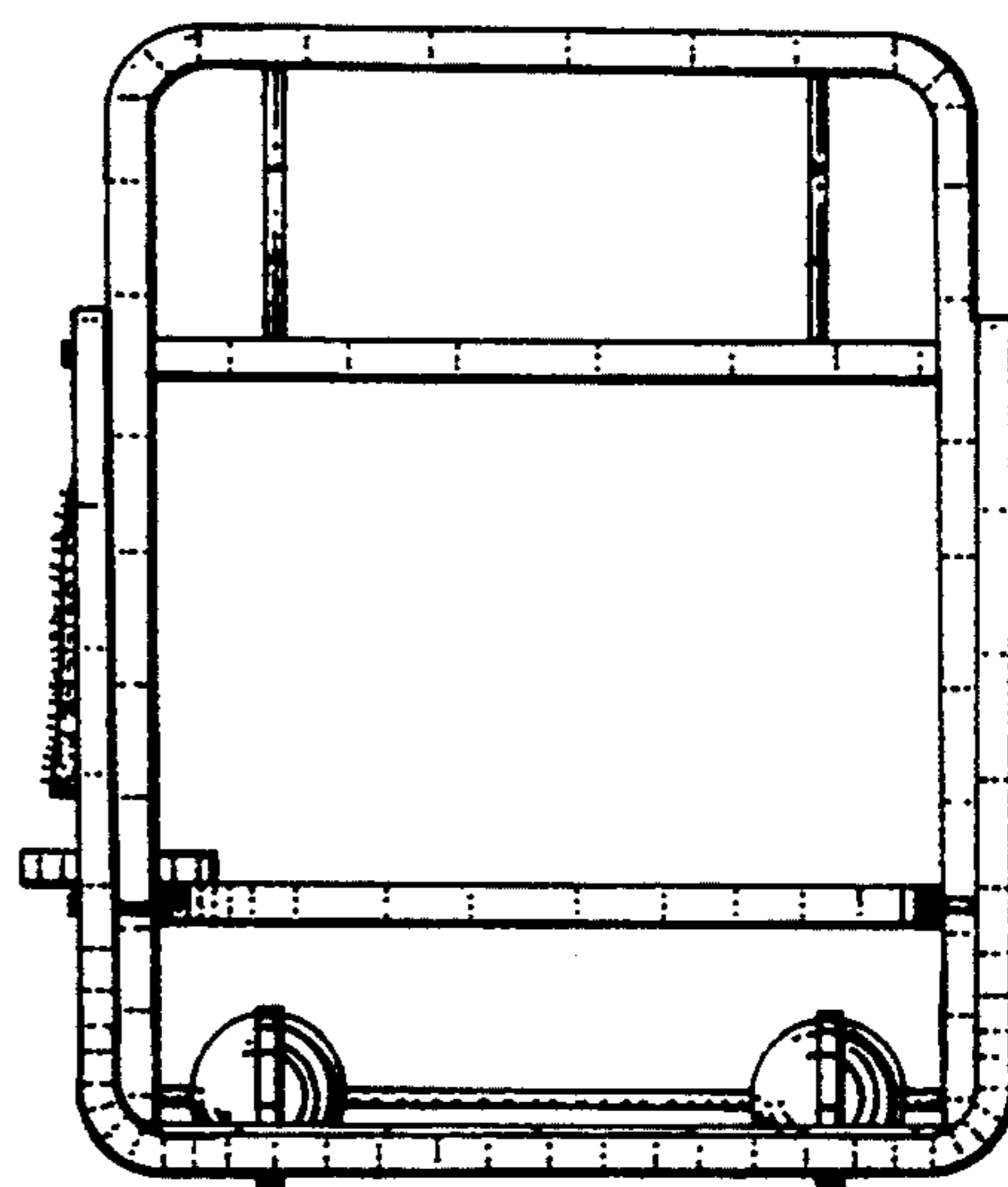


Fig. 3.

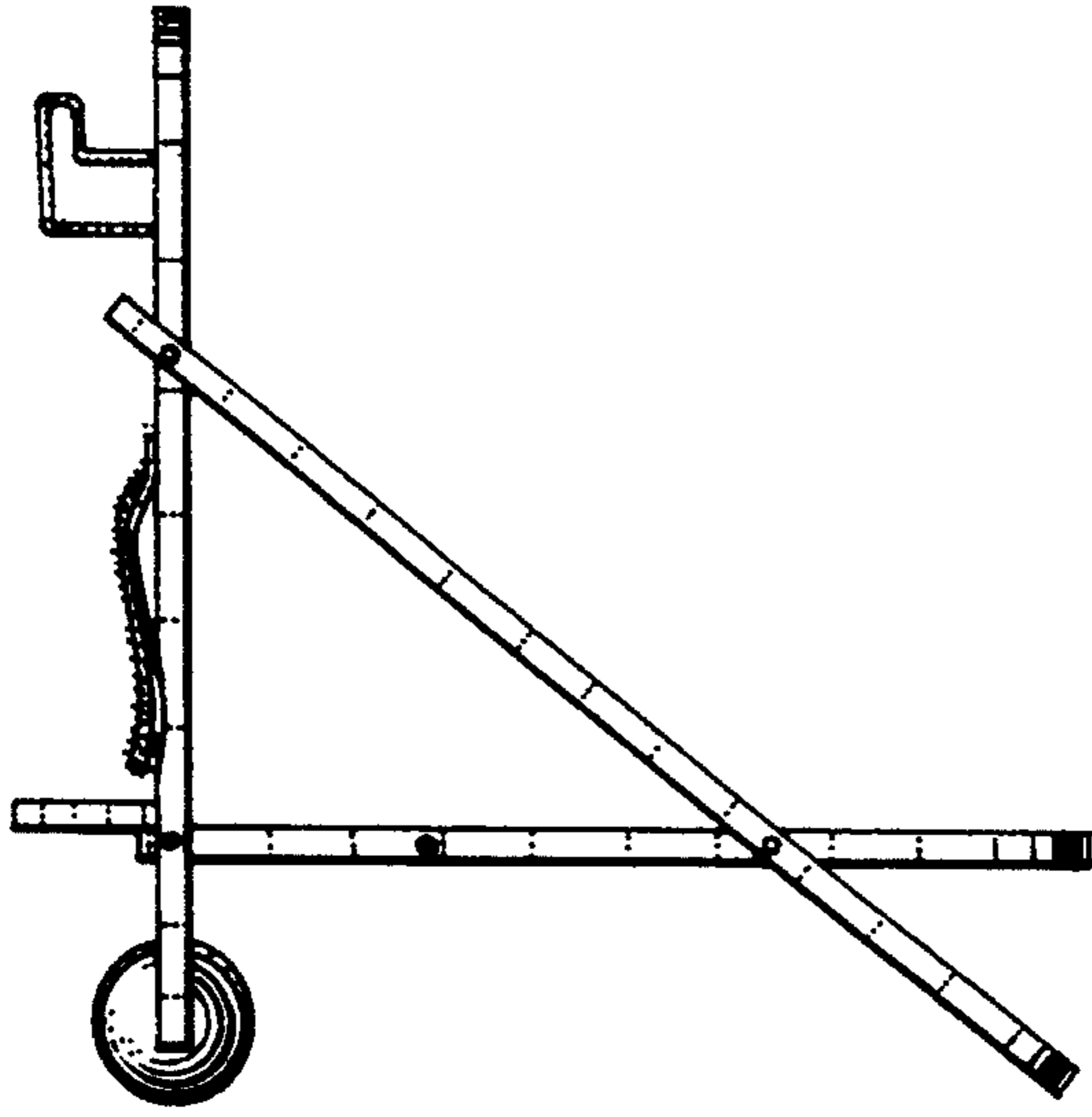


Fig. 4.

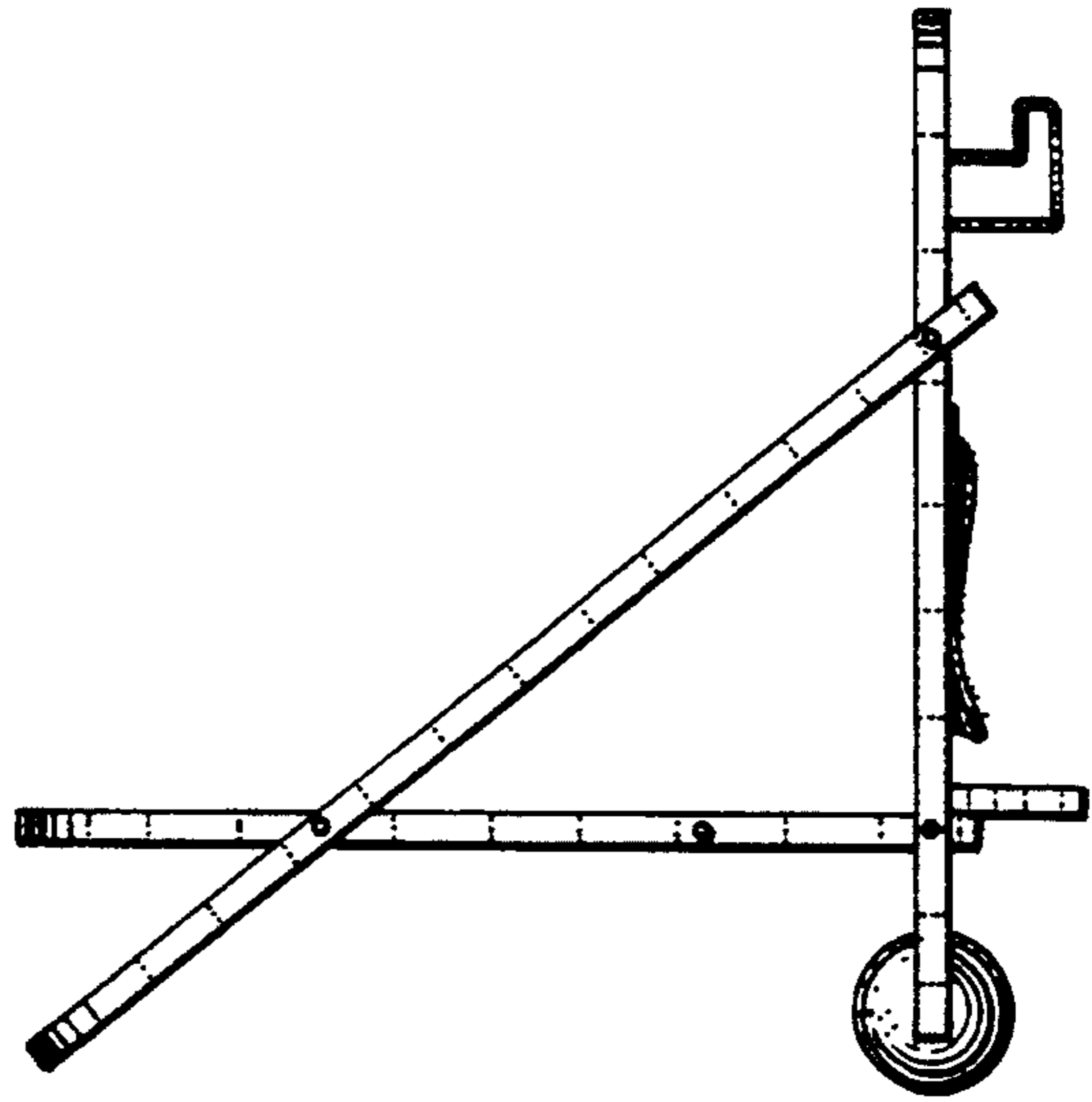


Fig. 5.

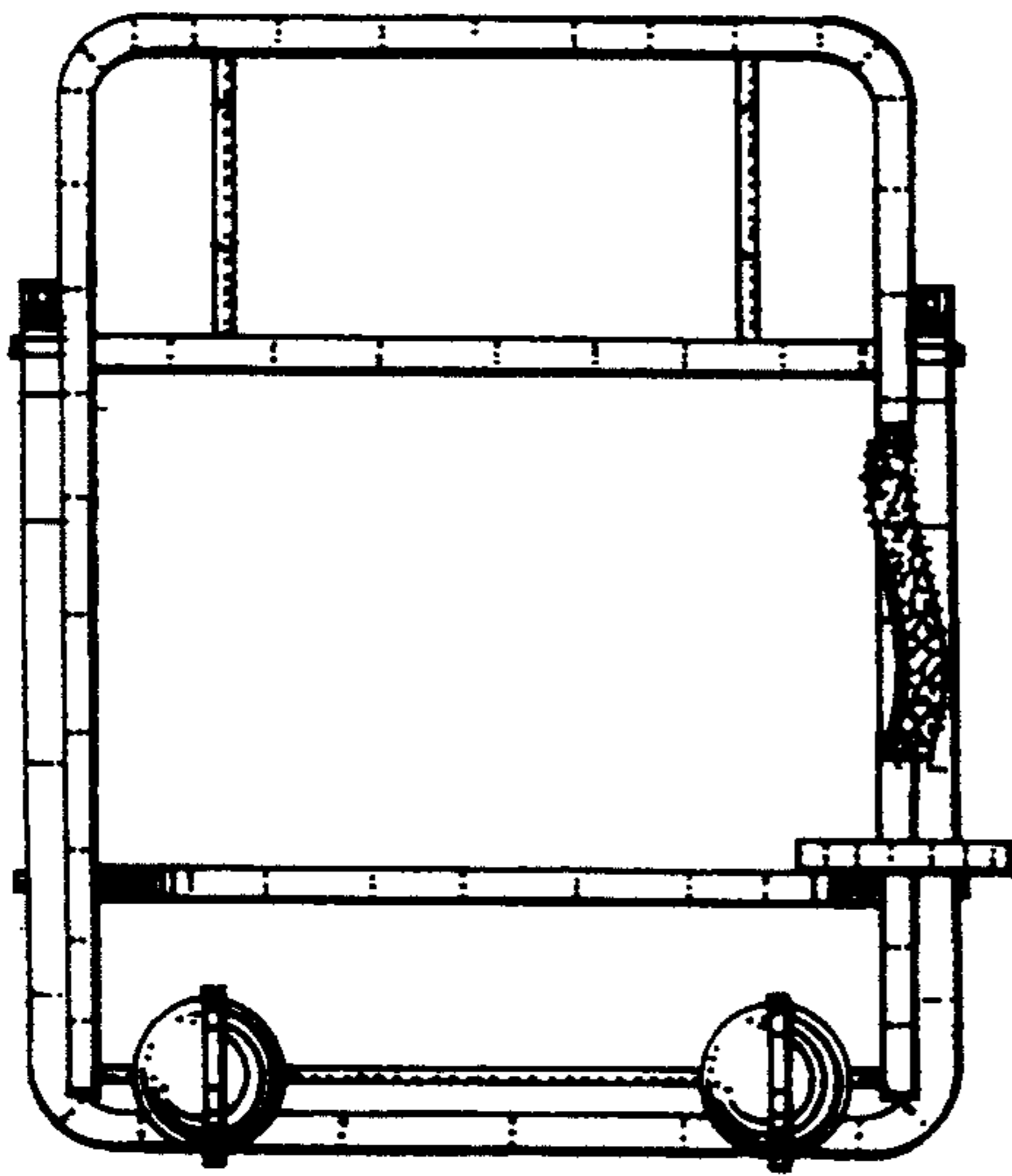


Fig. 6.

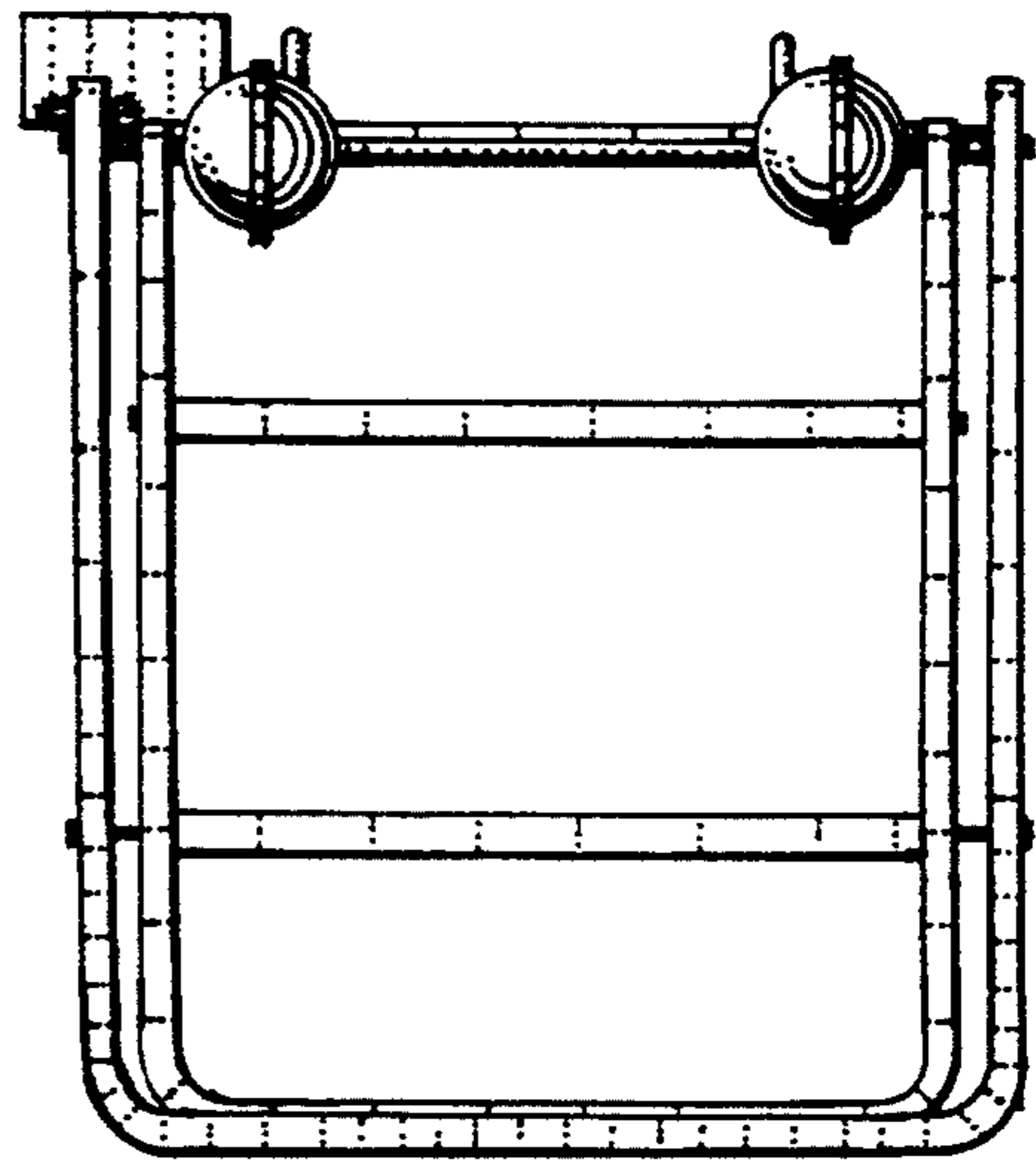


Fig. 7.