



US00D349797S

United States Patent [19]
Daugherty

[11] **Patent Number: Des. 349,797**

[45] **Date of Patent: ** Aug. 16, 1994**

[54] **WHEELBARROW**

- [75] Inventor: **Jonathan M. Daugherty,**
Wilkes-Barre, Pa.
- [73] Assignee: **Rubbermaid Commercial Products**
Inc., Winchester, Va.
- [**] Term: **14 Years**
- [21] Appl. No.: **7,128**
- [22] Filed: **Apr. 15, 1993**
- [52] U.S. Cl. **D34/16**
- [58] Field of Search 280/47.23, 47.18, 47.26,
280/47.27; D34/12, 16

OTHER PUBLICATIONS

P. 47, Wheelbarrow; WheelBurro Co., Box 1801, Evanston, Ill. 60204. Publication date May 1991.
 Sell Sheet, Wheelbarrow; Agri-Fab, 303 W. Raymond St., Sullivan, Ill. 61951. Publication date Jun. 1987.
 Sell Sheet, Wheelbarrow; Agri-Fab, 303 W. Raymond St., Sullivan, Ill. 61951. Publication date Jul. 1991.
 Sell Sheet, Cart; Agri-Fab, 303 W. Raymond St., Sullivan, Ill. 61951. Publication date Jul. 1991.
 Sell Sheet, Cart; Nasco, 901 Janesville Ave., Fort Atkinson, Wis. 53538 Publication date May 1986.
 Pp. 46-48, Wheelbarrows; Ames, Box 1774, Parkersburg, WV 26101. Publication date May 1986.

Primary Examiner—Kay H. Chin
Attorney, Agent, or Firm—Richard B. O'Planick; Lisa B. Riedesel

[57] **CLAIM**

The ornamental design for a wheelbarrow, as shown and described.

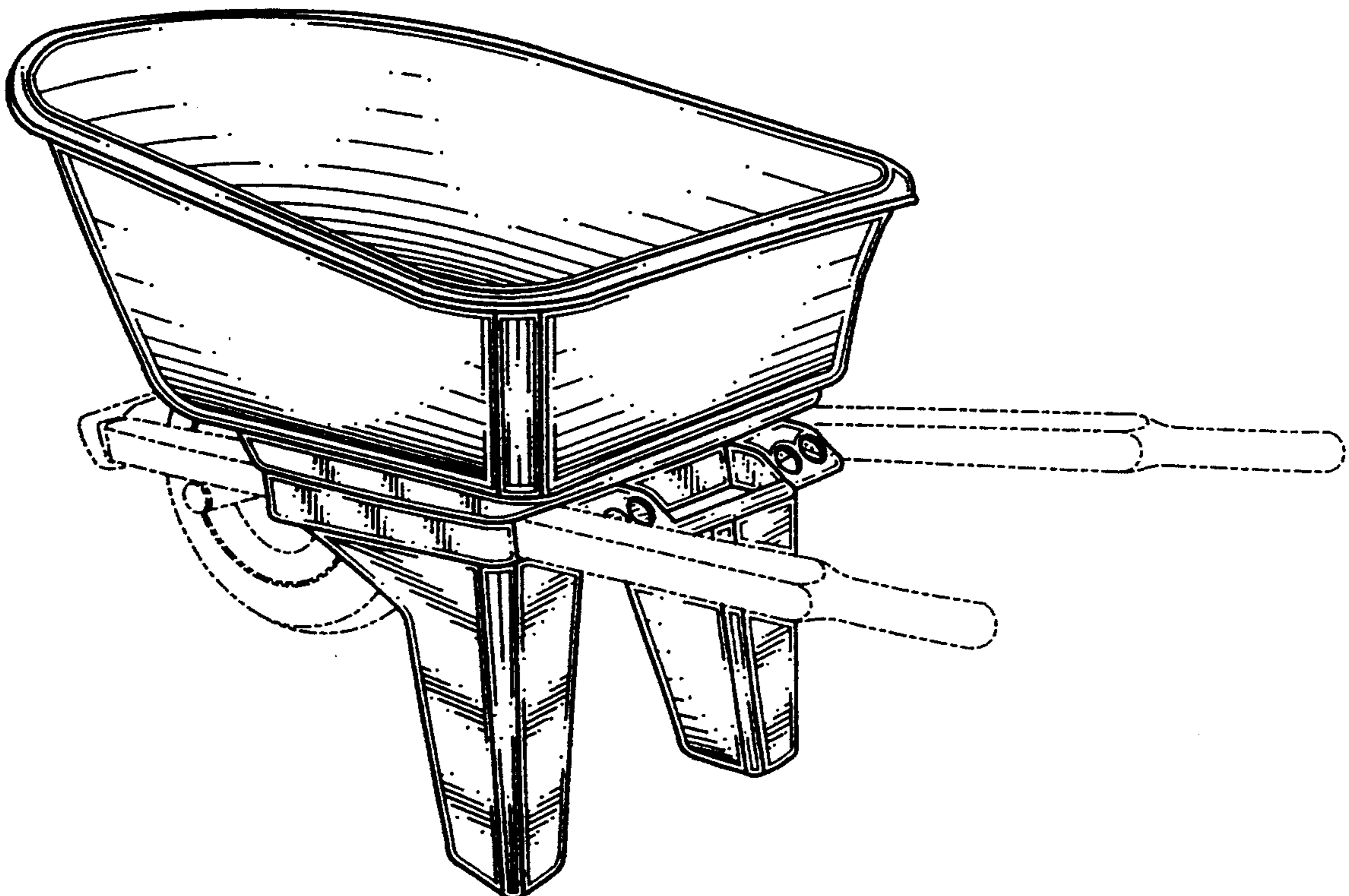
DESCRIPTION

FIG. 1 is a top right rear perspective view of a wheelbarrow showing my new design, the broken lines are for illustrative purposes only and form no part of the claimed design;
 FIG. 2 is a right side elevational view thereof; the opposite side being a mirror image;
 FIG. 3 is a top plan view thereof;
 FIG. 4 is a front elevational view thereof;
 FIG. 5 is a rear elevational view thereof; and,
 FIG. 6 is a bottom plan view thereof.

[56] **References Cited**

U.S. PATENT DOCUMENTS

D. 175,069	7/1955	Gandola	D14/3
D. 311,621	10/1990	Fuller	D34/18
D. 318,165	7/1991	Ayres	D34/26
D. 318,551	7/1991	Ayres	D34/24
D. 327,350	7/1991	Brown et al.	D34/16
3,479,048	11/1969	Carlson	280/47.23
3,950,004	4/1976	Olsson	280/47.18
4,335,897	6/1982	Muller	280/47.18
4,341,393	7/1982	Gordon et al.	280/47.26
4,635,956	1/1987	Morrissitte	280/652



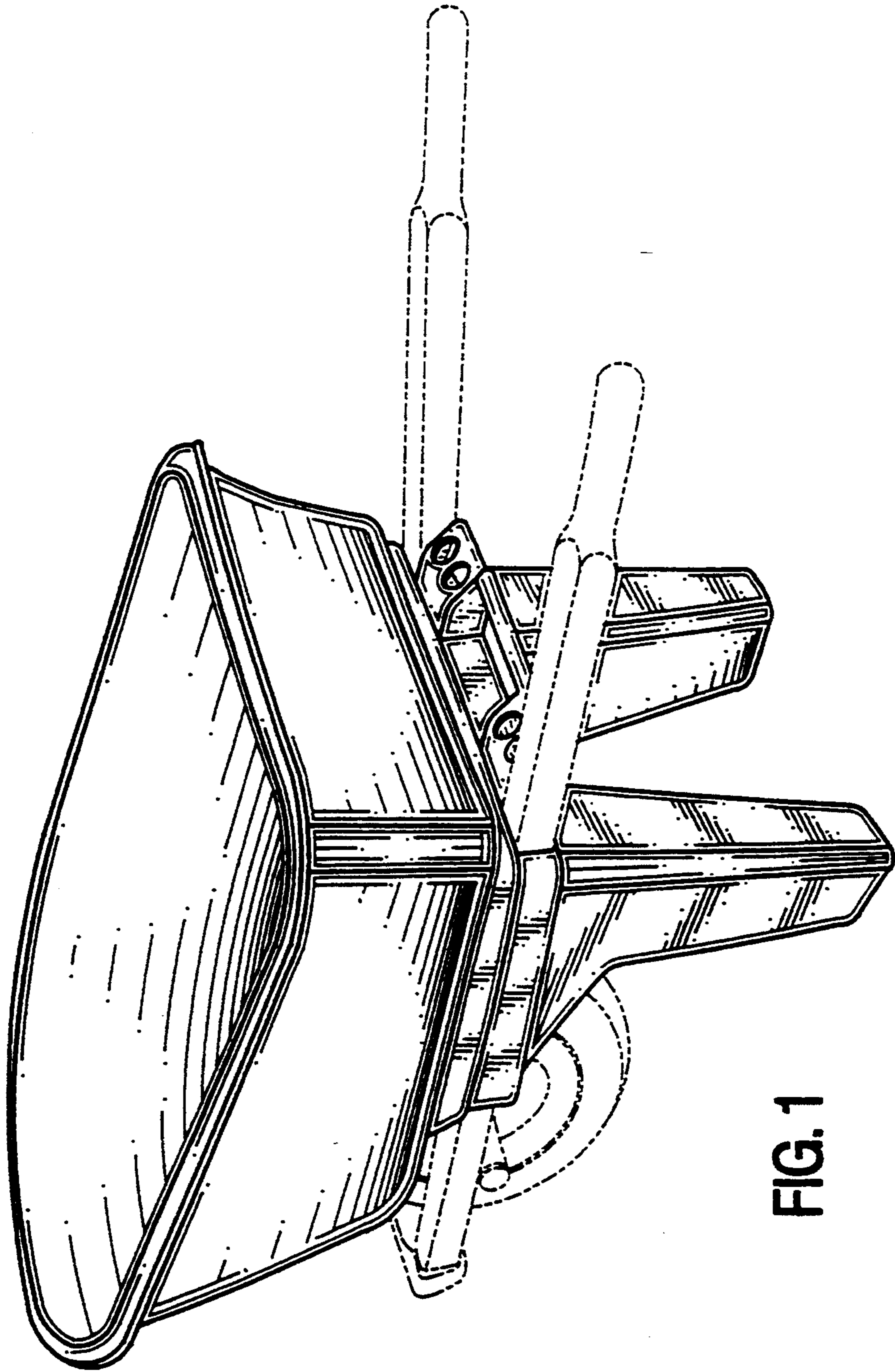


FIG. 1

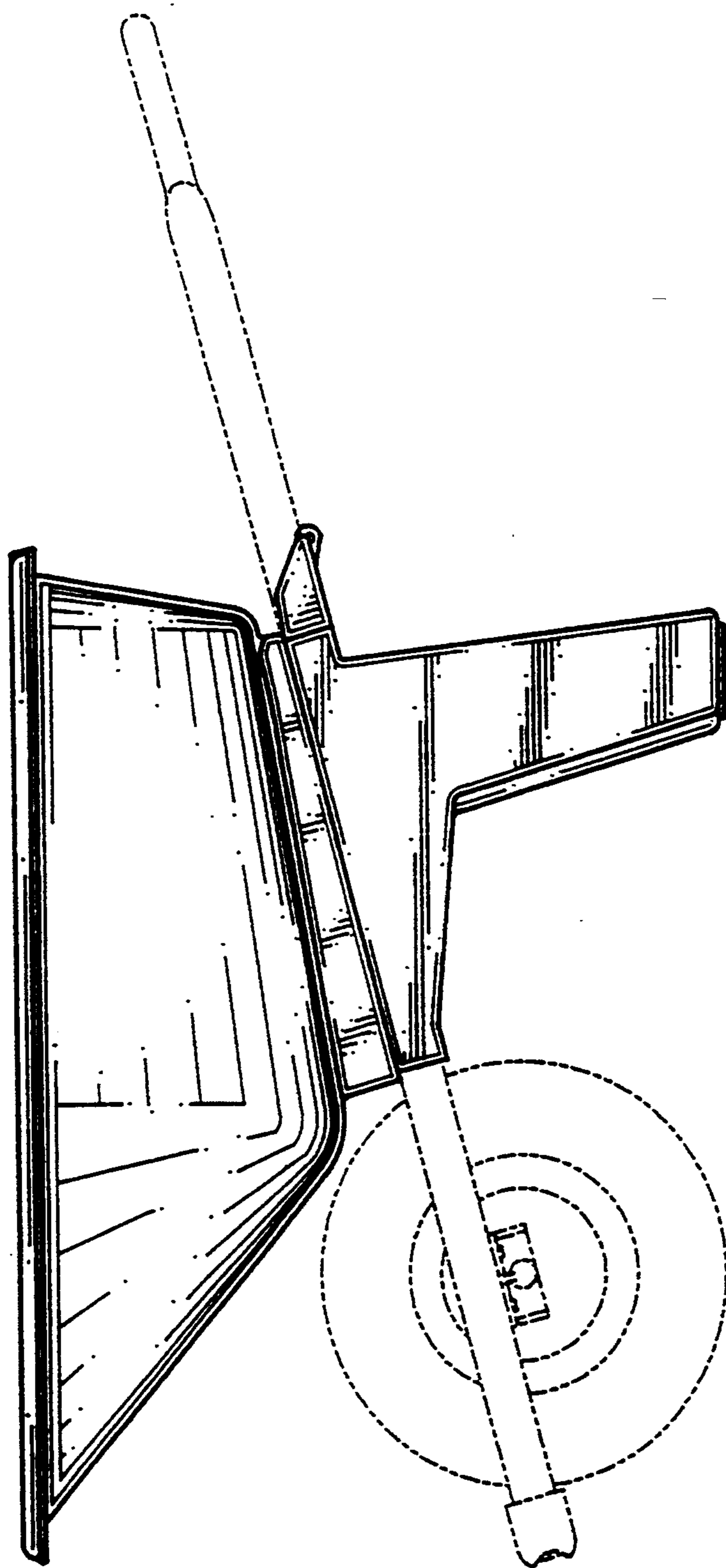


FIG. 2

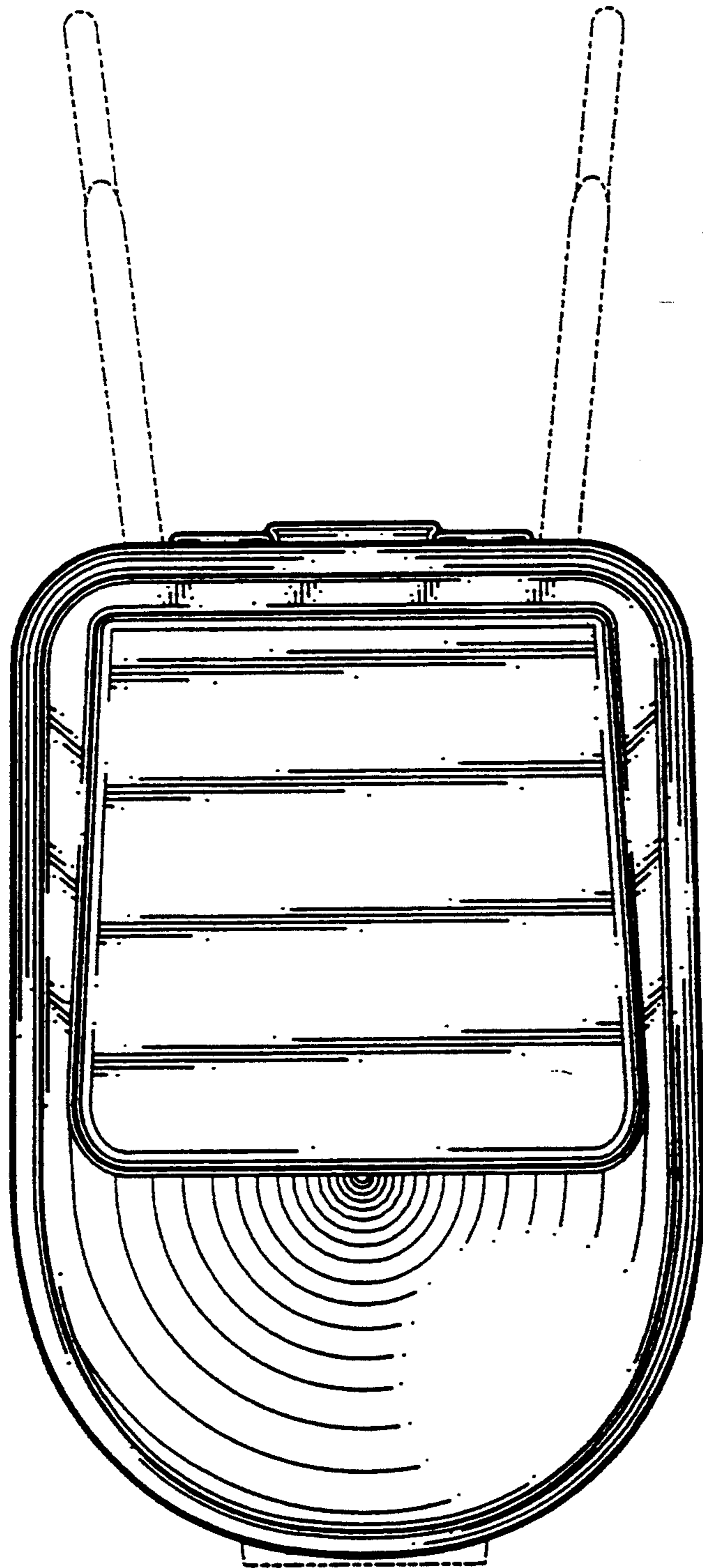


FIG. 3

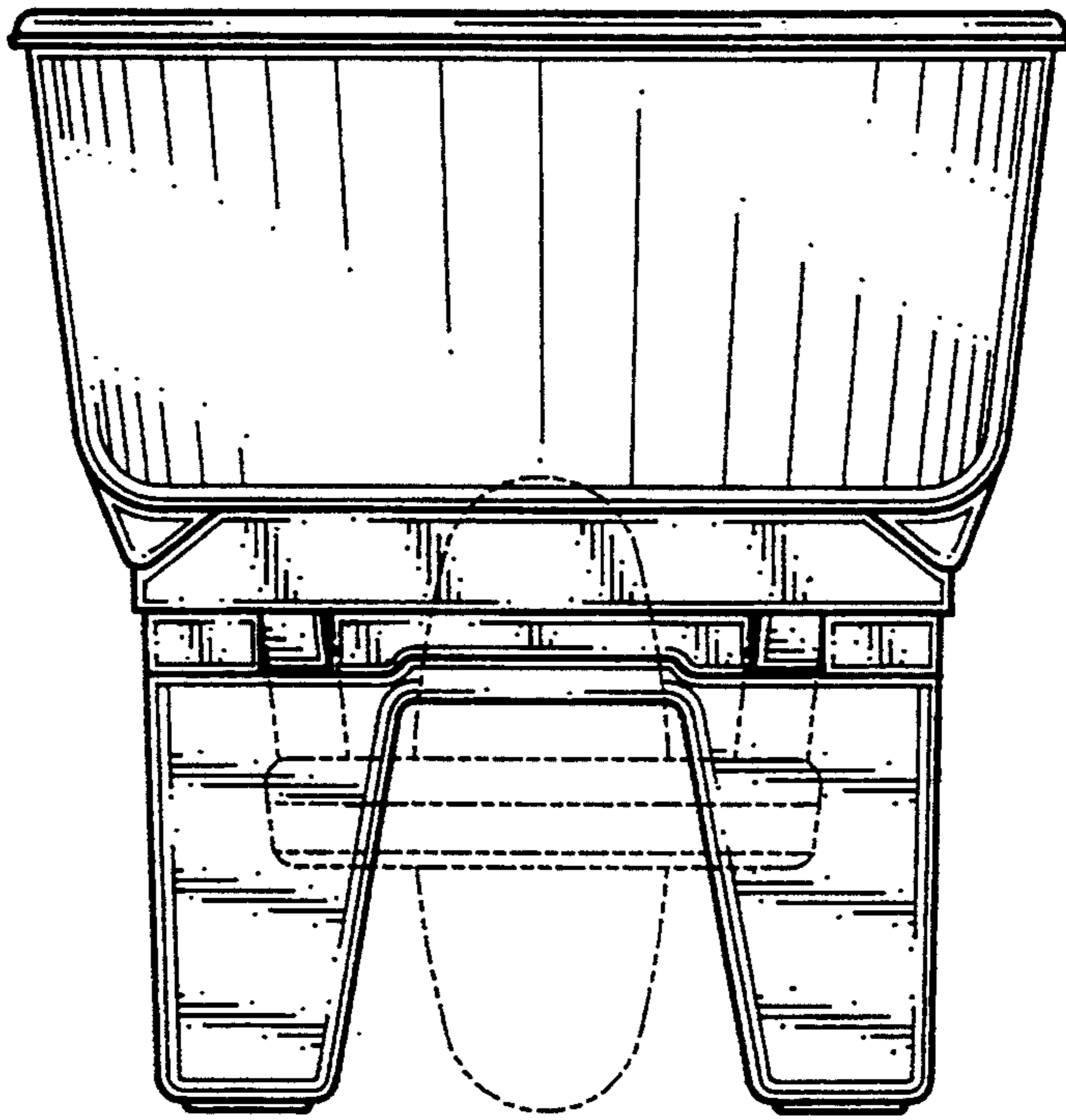


FIG. 4

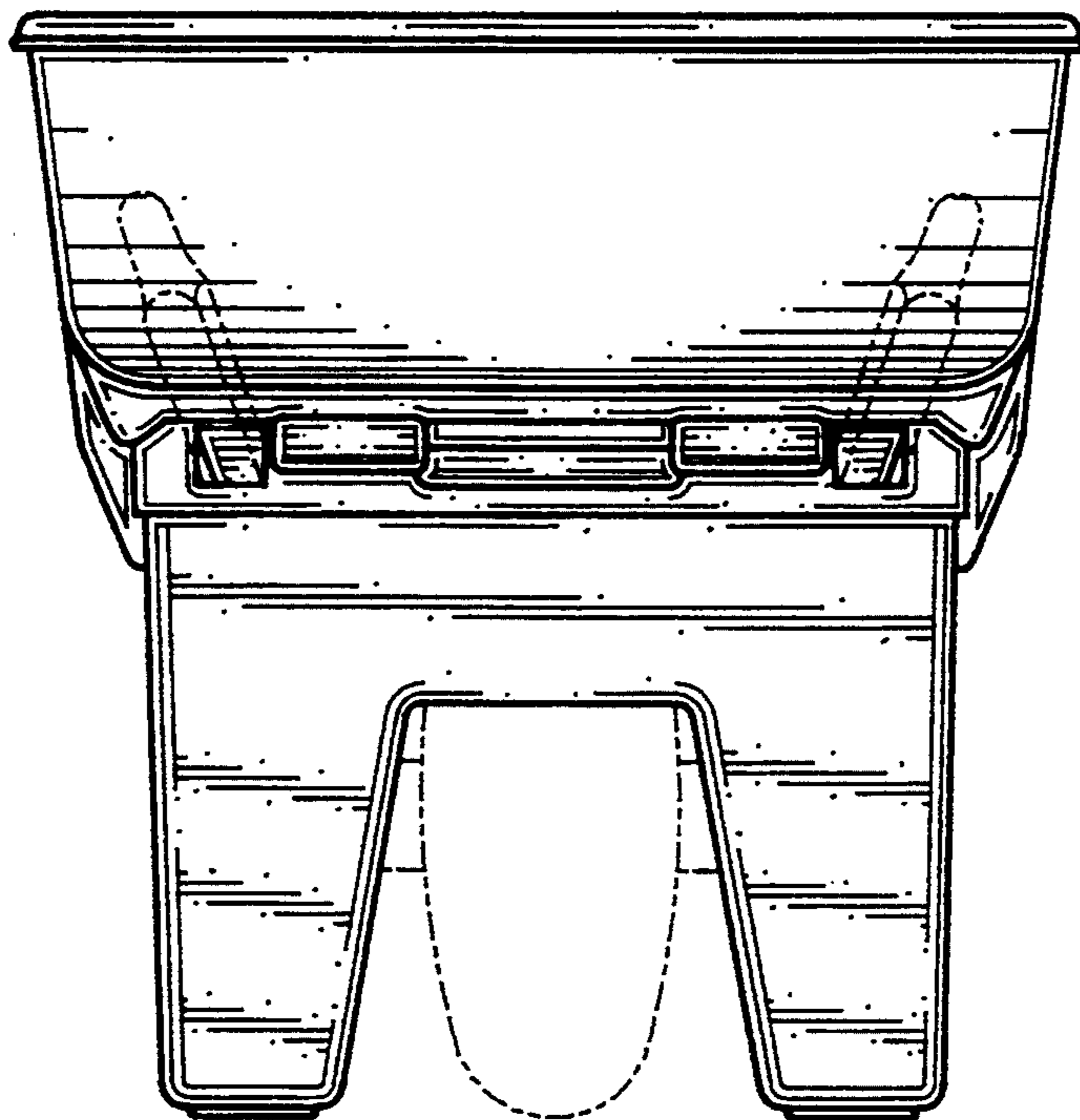


FIG. 5

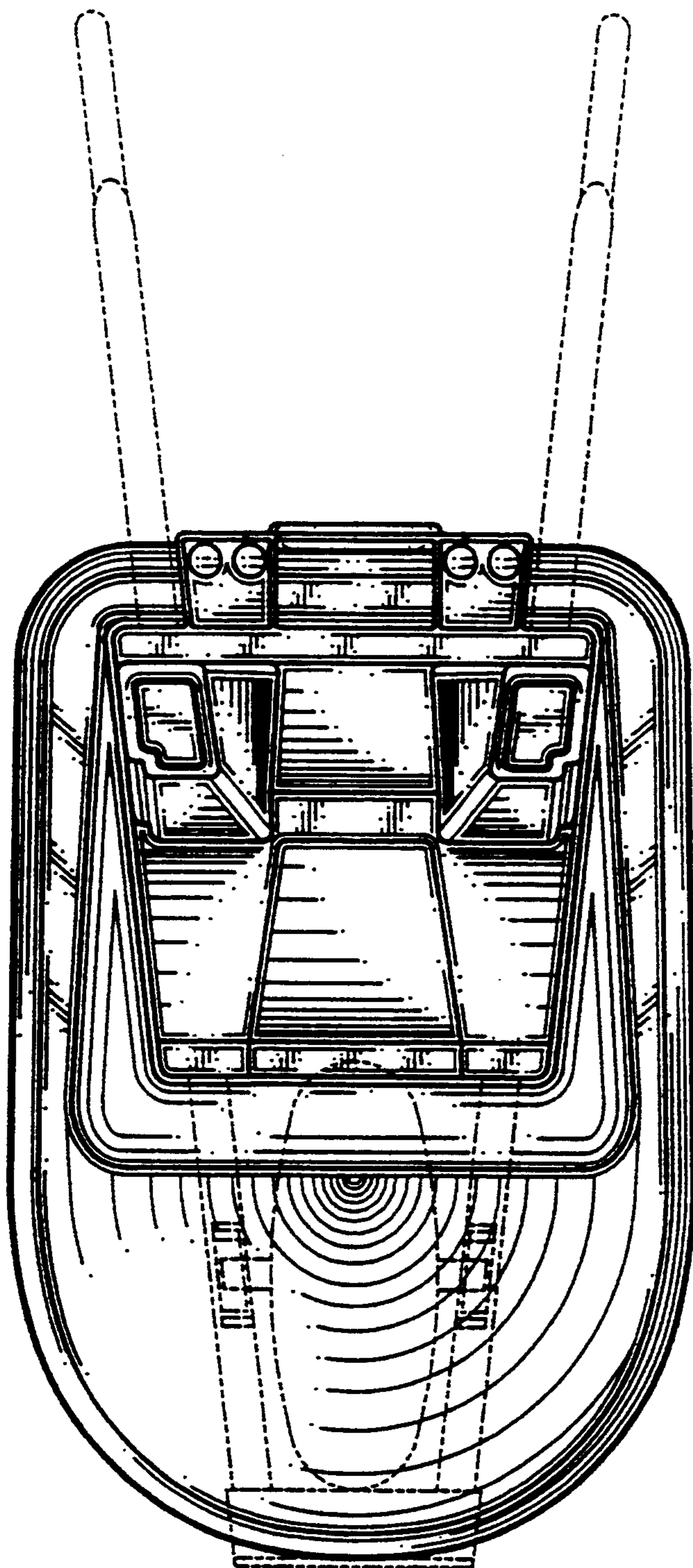


FIG. 6