



US00D349796S

United States Patent [19]

[11] Patent Number: **Des. 349,796**

Wimberley et al.

[45] Date of Patent: **** Aug. 16, 1994**

[54] **GOLF CART**

[75] Inventors: **Robert J. Wimberley, Houston, Tex.;**
Charles Y. Choi, Mt. Prospect, Ill.

[73] Assignee: **Ajay Leisure Products, Inc., Delevan, Wis.**

[**] Term: **14 Years**

[21] Appl. No.: **8,289**

[22] Filed: **May 13, 1993**

3,357,636	12/1967	Ferro, Sr. .	
3,441,209	4/1969	Farman .	
3,458,128	7/1969	Tillman .	
3,571,933	3/1971	Johnson .	
3,629,557	12/1971	Lareau .	
3,643,860	2/1972	Murphy, Jr. et al. .	
4,906,825	3/1990	Wu .	
5,249,822	10/1993	Wu	280/DIG. 6
5,281,044	1/1994	Chen	280/DIG. 6

Primary Examiner—Kay H. Chin
Attorney, Agent, or Firm—Willian Brinks Hofer Gilson & Lione

Related U.S. Application Data

[63] Continuation of Ser. No. 974,743, Nov. 13, 1992, abandoned.

[52] U.S. Cl. **D34/15**

[58] Field of Search 280/DIG. 5, DIG. 6;
180/19.2, 65.6; D34/15, 24, 12

[57] CLAIM

The ornamental design for a golf cart, as shown and described.

[56] References Cited

U.S. PATENT DOCUMENTS

D. 150,572	8/1948	Hutsell .
D. 292,038	9/1987	Hsieh .
D. 319,327	8/1991	Sanders et al. .
2,711,027	6/1955	Williamson .
2,742,229	4/1956	Hacking .
2,766,935	10/1956	Klein .
3,355,101	11/1967	Levinson .

DESCRIPTION

FIG. 1 is a left, front perspective view of a golf cart showing my new design;
 FIG. 2 is a left side elevational view thereof with the straps for securing a golf bag to the body, the broken lines are for illustrative purposes only;
 FIG. 3 is a right side elevational view thereof;
 FIG. 4 is a top plan view thereof, the straps are omitted for convenience of illustration;
 FIG. 5 is a front elevational view thereof;
 FIG. 6 is a rear elevational view thereof; and,
 FIG. 7 is a bottom plan view thereof.

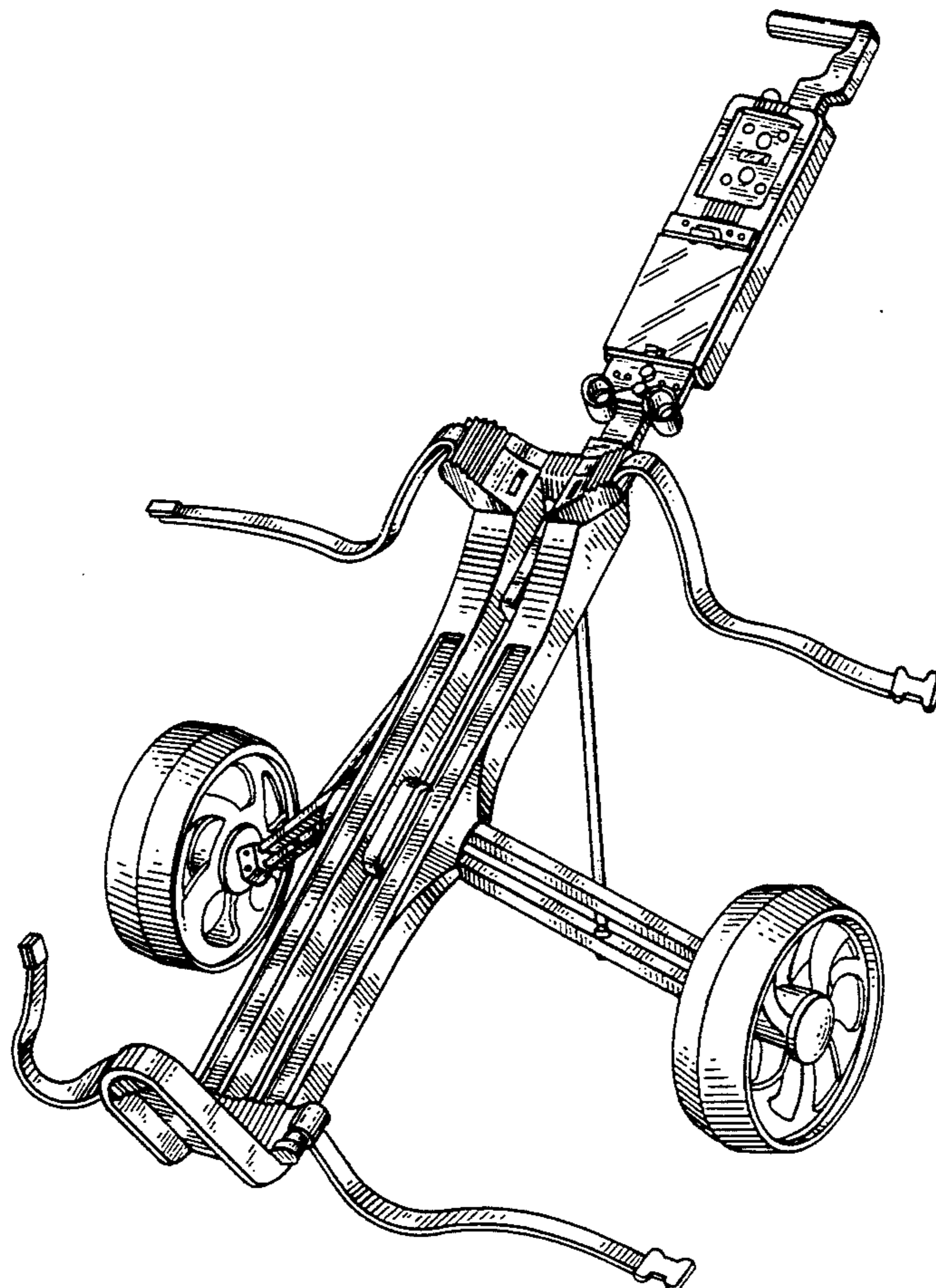
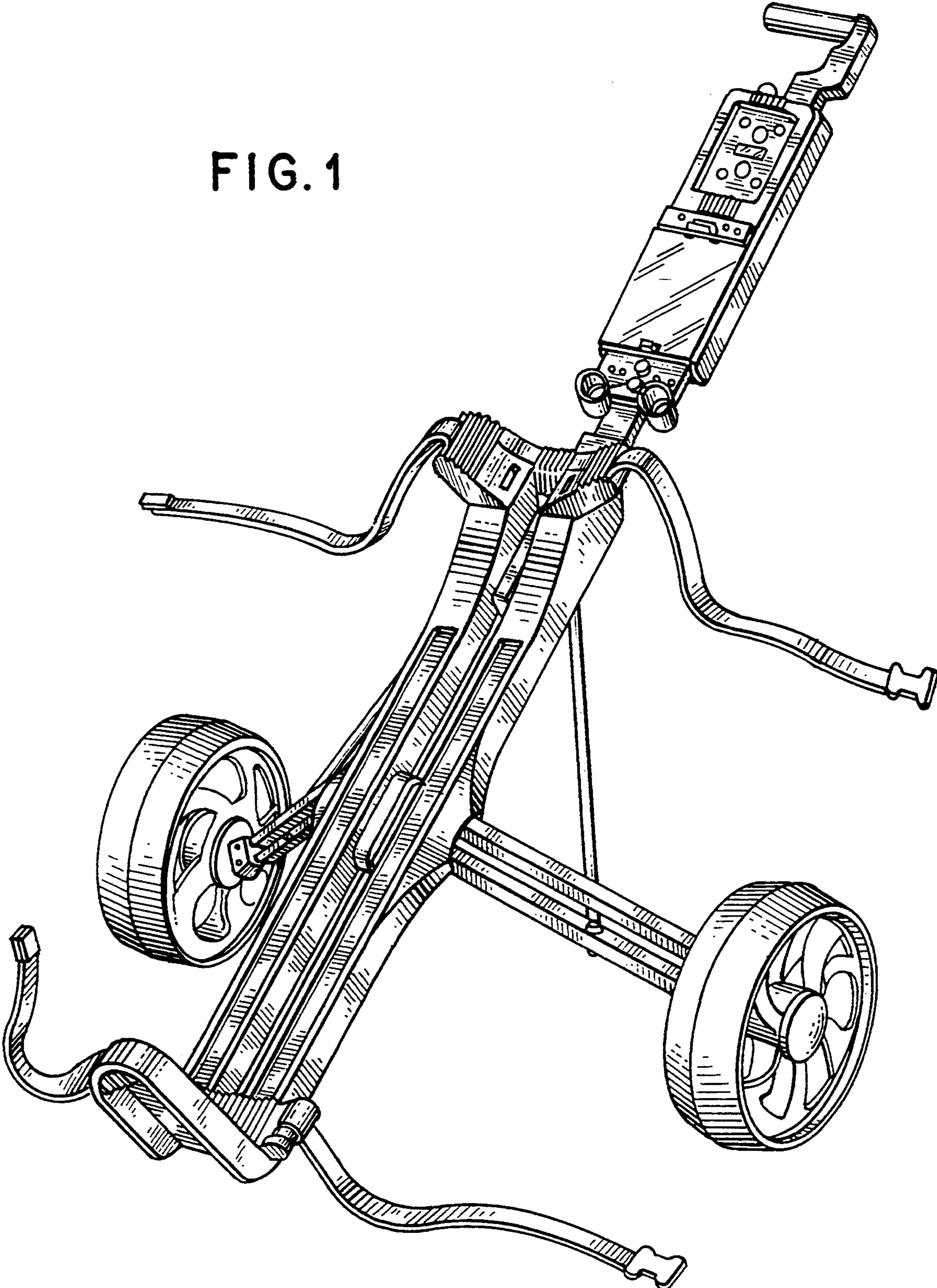


FIG. 1



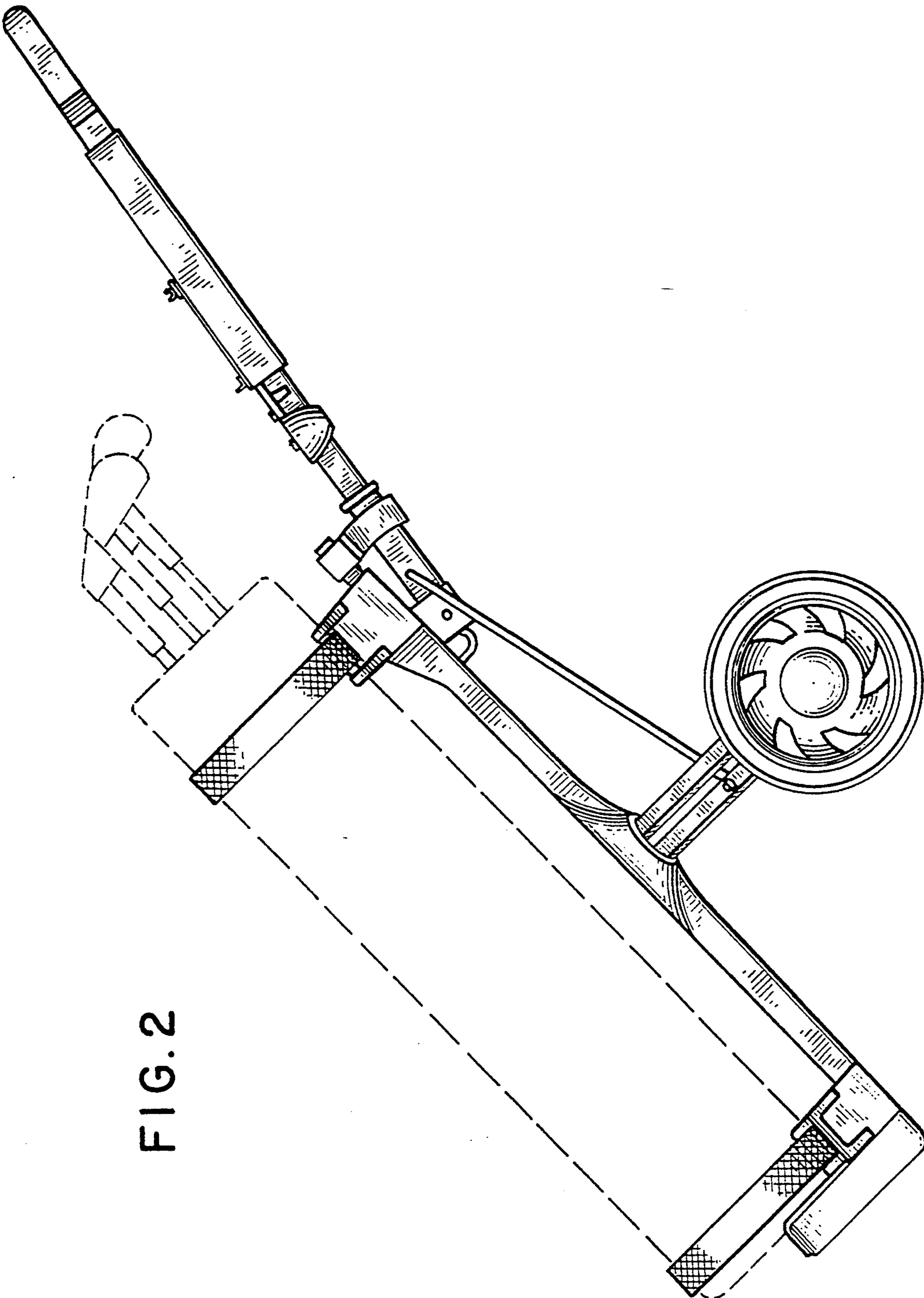
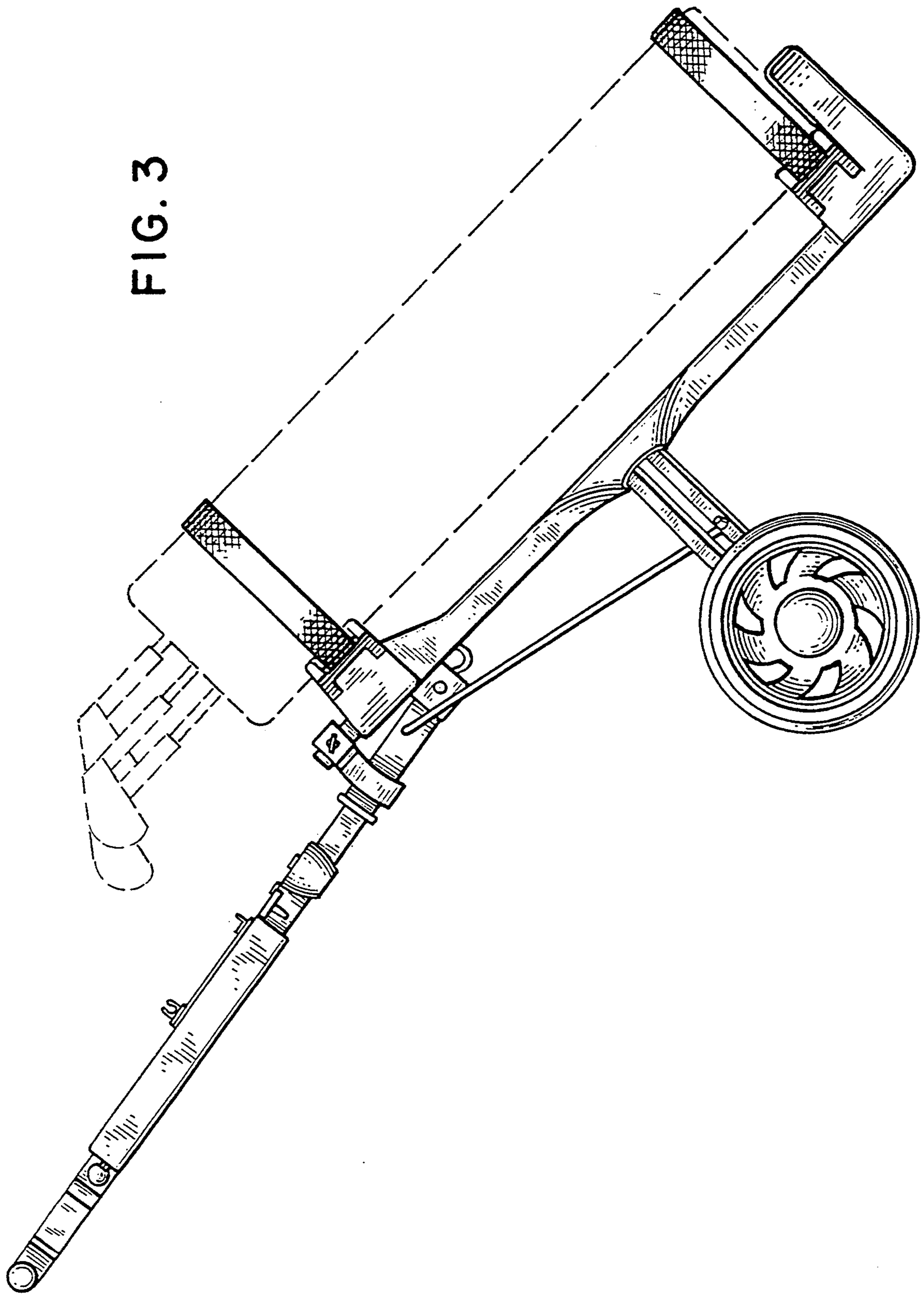


FIG. 2

FIG. 3



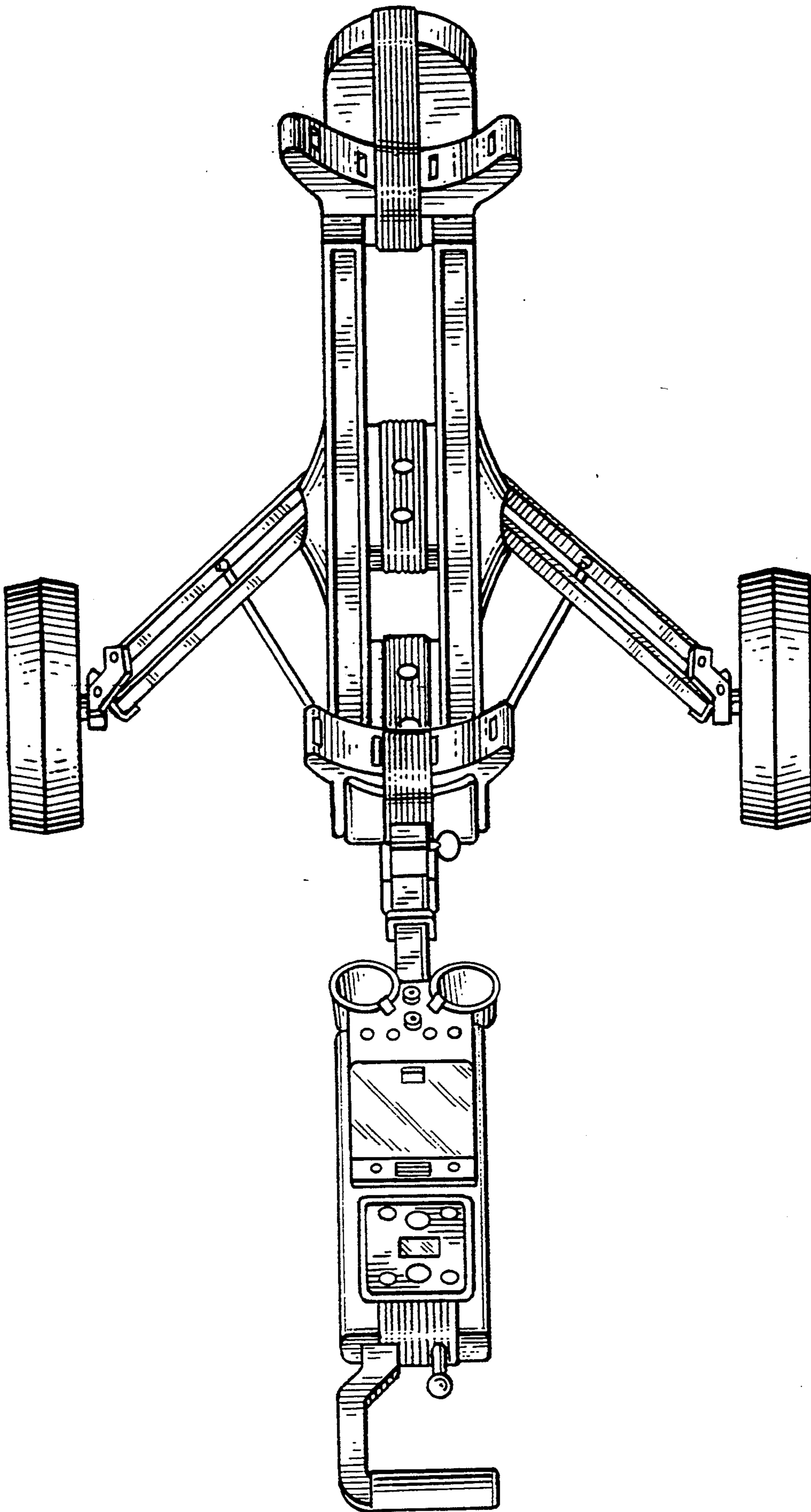


FIG. 4

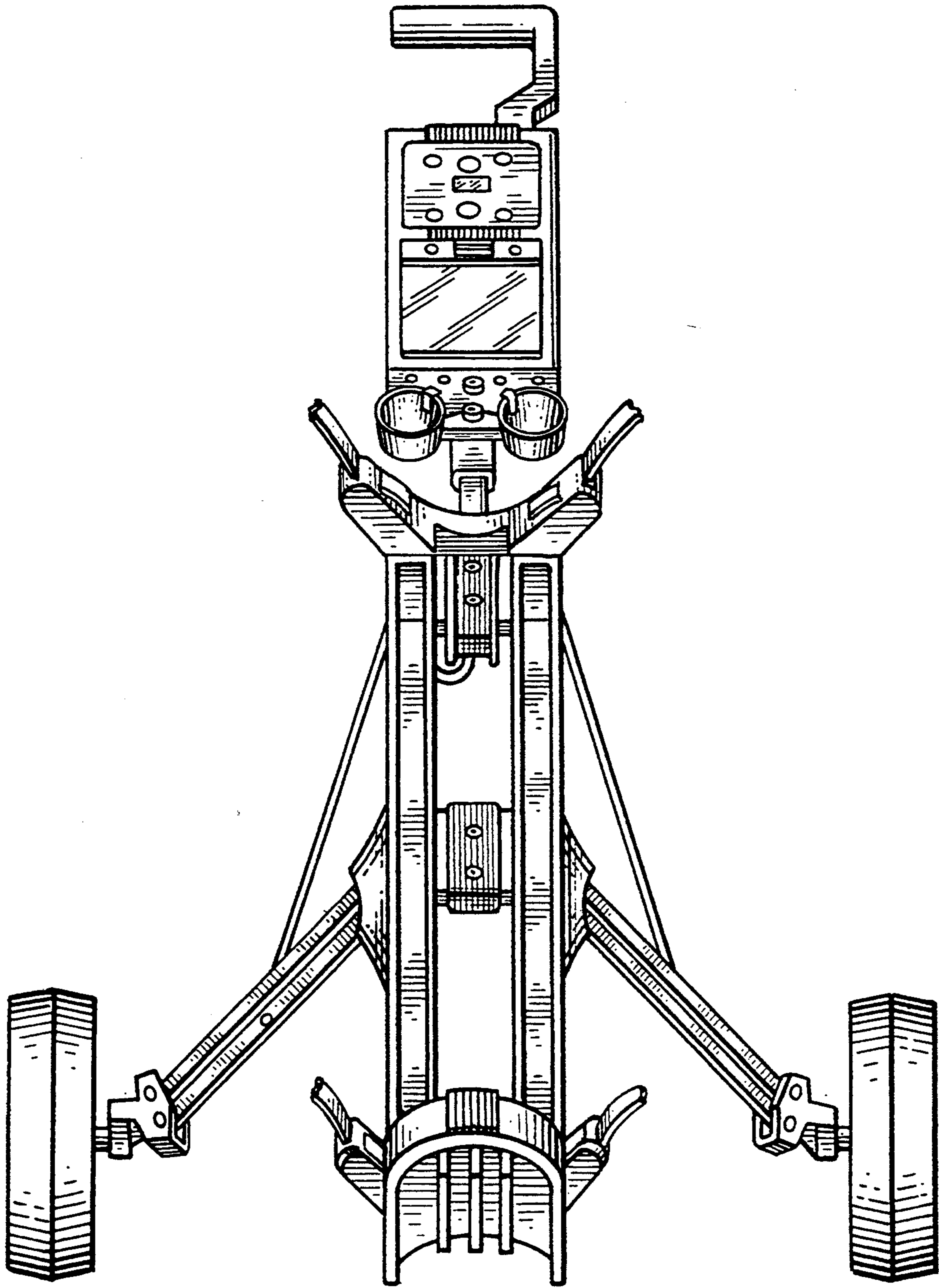


FIG. 5

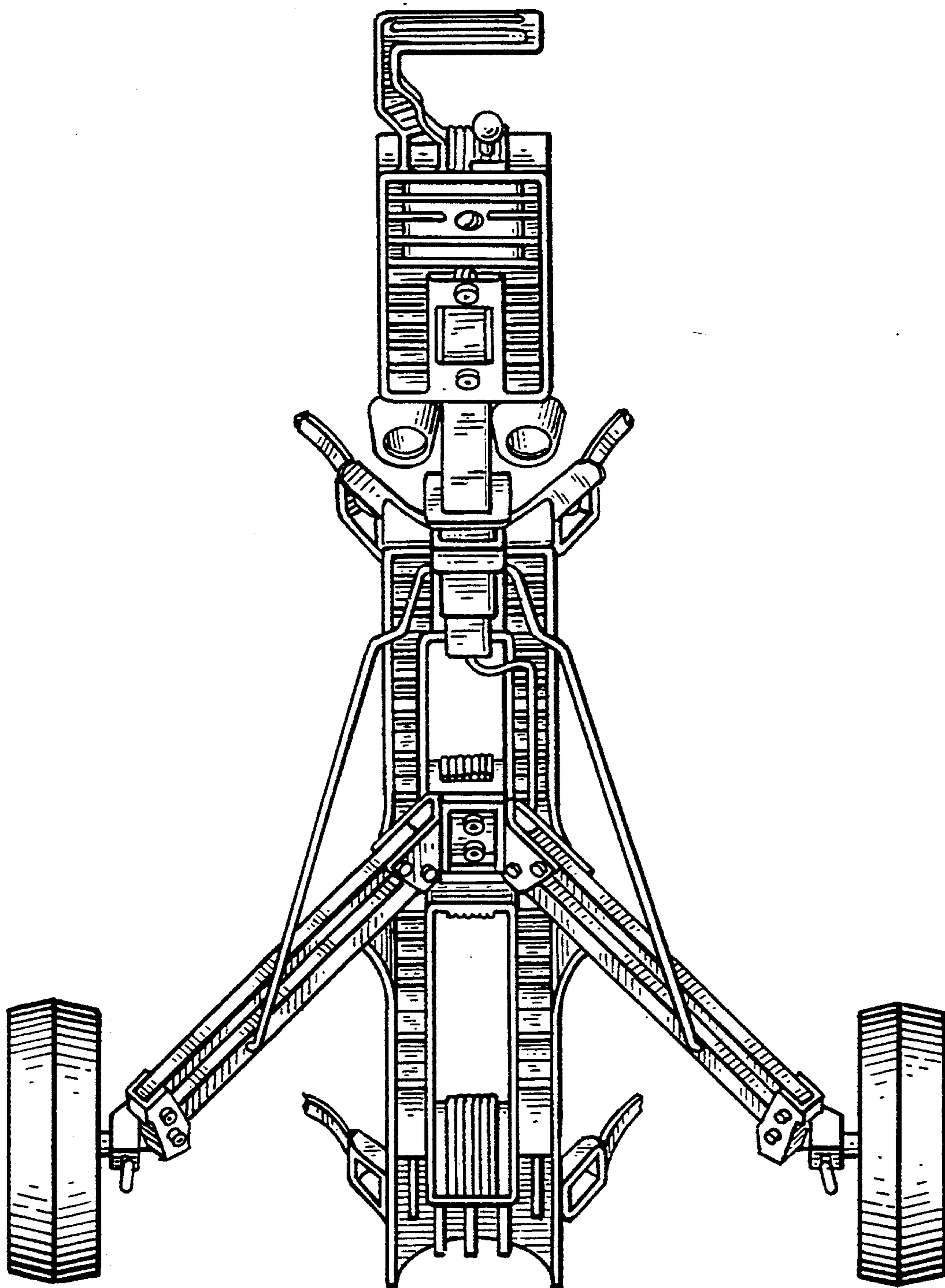


FIG. 6

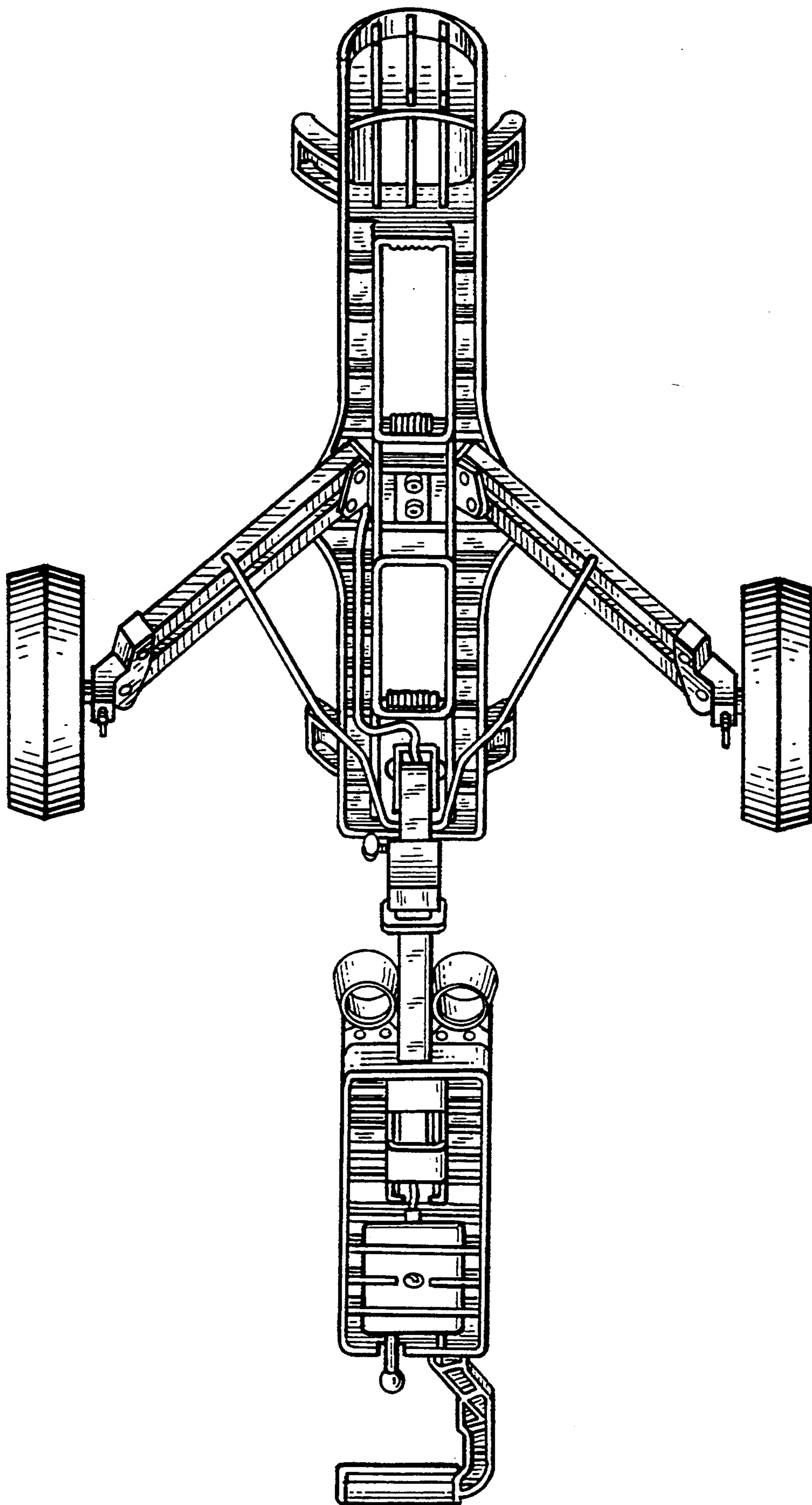


FIG. 7