



US00D349795S

United States Patent [19]

[11] Patent Number: **Des. 349,795**

Schauer et al.

[45] Date of Patent: **** Aug. 16, 1994**

- [54] WASTE CONTAINER
- [75] Inventors: **Charles D. Schauer**, St. Petersburg;
David H. M. Holihan, Seminole;
Michael Connors, St. Petersburg, all
of Fla.
- [73] Assignee: **City of St. Petersburg**, St. Petersburg,
Fla.
- [**] Term: **14 Years**
- [21] Appl. No.: **930,917**
- [22] Filed: **Aug. 17, 1992**
- [52] U.S. Cl. **D34/5; D34/1**
- [58] Field of Search 220/908, 335, 343, 337;
280/47.17; D34/1, 5, 7

- 4,342,402 8/1982 Jungles .
- 4,351,539 9/1982 Rodolakis .
- 4,401,312 8/1983 Parker .
- 4,407,427 10/1983 Reuter .
- 4,420,168 12/1983 Dewing .
- 4,422,814 12/1983 Borders .
- 4,448,327 5/1984 Gahm .
- 4,450,976 5/1984 Snyder et al. .
- 4,545,502 10/1985 Reuter .
- 4,558,799 12/1985 Hammond .
- 4,613,271 9/1986 Naab .
- 4,663,803 5/1987 Gora .
- 4,674,759 6/1987 Parker .
- 4,749,101 6/1988 Durkar, Jr. .
- 4,765,503 8/1988 Otto et al. .
- 4,789,078 12/1988 Miller et al. .
- 4,836,394 6/1989 Glomski .
- 4,930,649 6/1990 Moser .
- 5,167,351 12/1992 Prout et al. 220/908
- 5,217,136 6/1993 Samden, Jr. 220/908

[56] **References Cited**
U.S. PATENT DOCUMENTS

- D. 197,007 12/1963 Brighton .
- D. 202,616 10/1965 Larson .
- D. 205,319 7/1966 Klein .
- D. 207,578 5/1967 Zeilstra .
- D. 212,551 10/1968 Shutt .
- D. 215,617 10/1969 Heck .
- D. 218,359 8/1970 Marsh .
- D. 226,628 4/1973 Shannon .
- D. 231,184 4/1974 Brown et al. .
- D. 256,423 8/1980 Bacskay et al. .
- D. 270,675 9/1983 Parker .
- D. 277,898 3/1985 Paul et al. .
- D. 281,284 11/1985 Reuter .
- D. 291,738 9/1987 Orłowski .
- D. 291,739 9/1987 Orłowski .
- D. 292,638 11/1987 Carville .
- D. 302,884 8/1989 Poisat .
- D. 304,631 11/1989 McCarville .
- D. 323,912 2/1992 Delmerico D34/5
- 1,014,475 1/1912 Holloway .
- 1,019,198 3/1912 Spears .
- 2,881,007 4/1959 Karwatt et al. .
- 3,804,277 4/1974 Brown et al. .
- 3,894,642 7/1975 Shive .
- 4,279,357 7/1981 Robinson .
- 4,325,492 4/1982 Kunze .

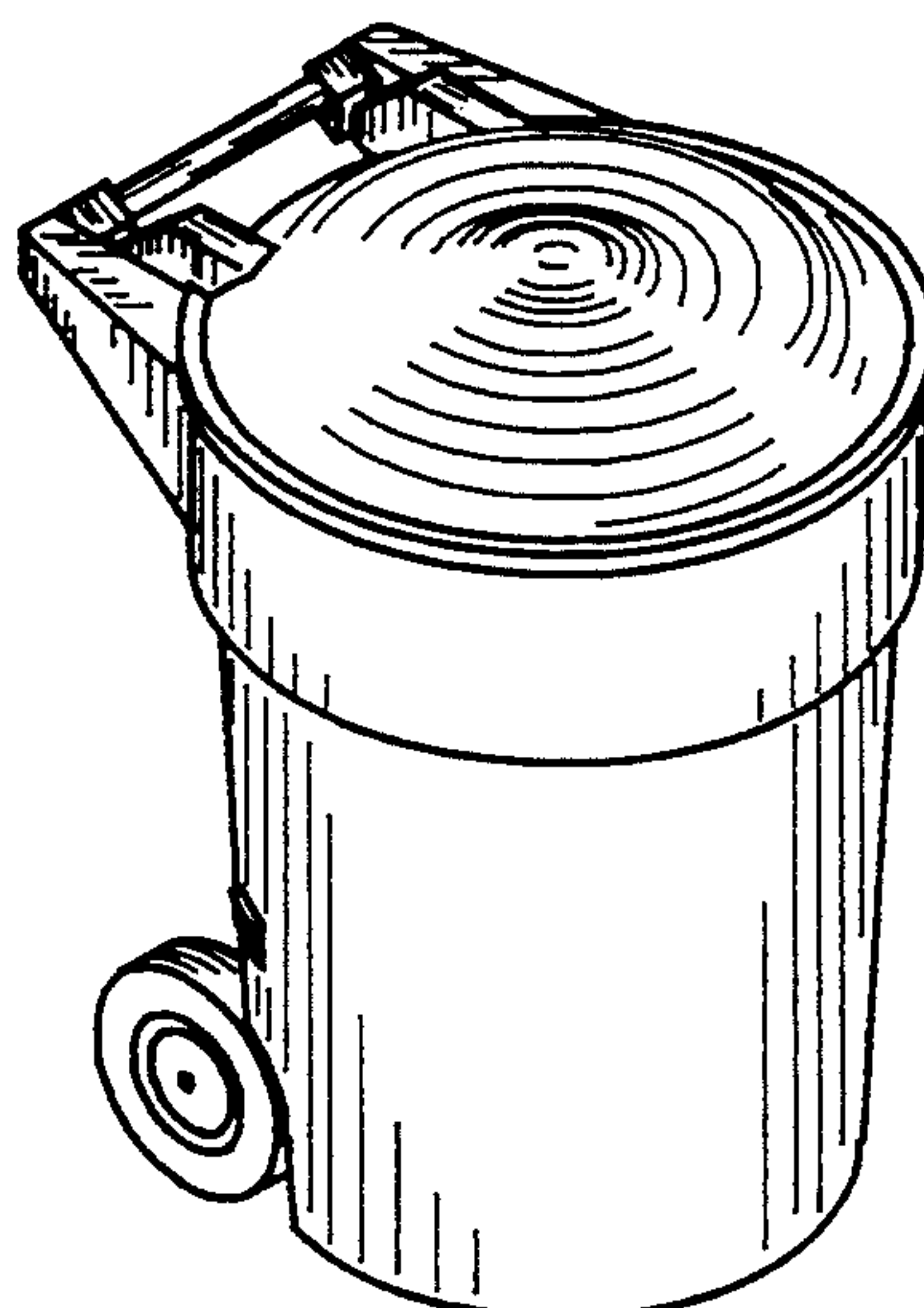
Primary Examiner—Kay H. Chin
Attorney, Agent, or Firm—Frijouf, Rust & Pyle

[57] **CLAIM**

The ornamental design for a waste container, as shown and described.

DESCRIPTION

FIG. 1 is an isometric view of a new design for a waste container with the lid being disposed in a closed position;
 FIG. 2 is an isometric view of the new design for a waste container with the lid being disposed in an open position;
 FIG. 3 is a side elevational view of the new design for a waste container of FIG. 1;
 FIG. 4 is a rear elevational view thereof;
 FIG. 5 is a front elevational view thereof;
 FIG. 6 is a top view thereof;
 FIG. 7 is a side elevational view of the new design for a waste container of FIG. 2;
 FIG. 8 is a rear elevational view thereof;
 FIG. 9 is a front elevational view thereof; and,
 FIG. 10 is a top view thereof.



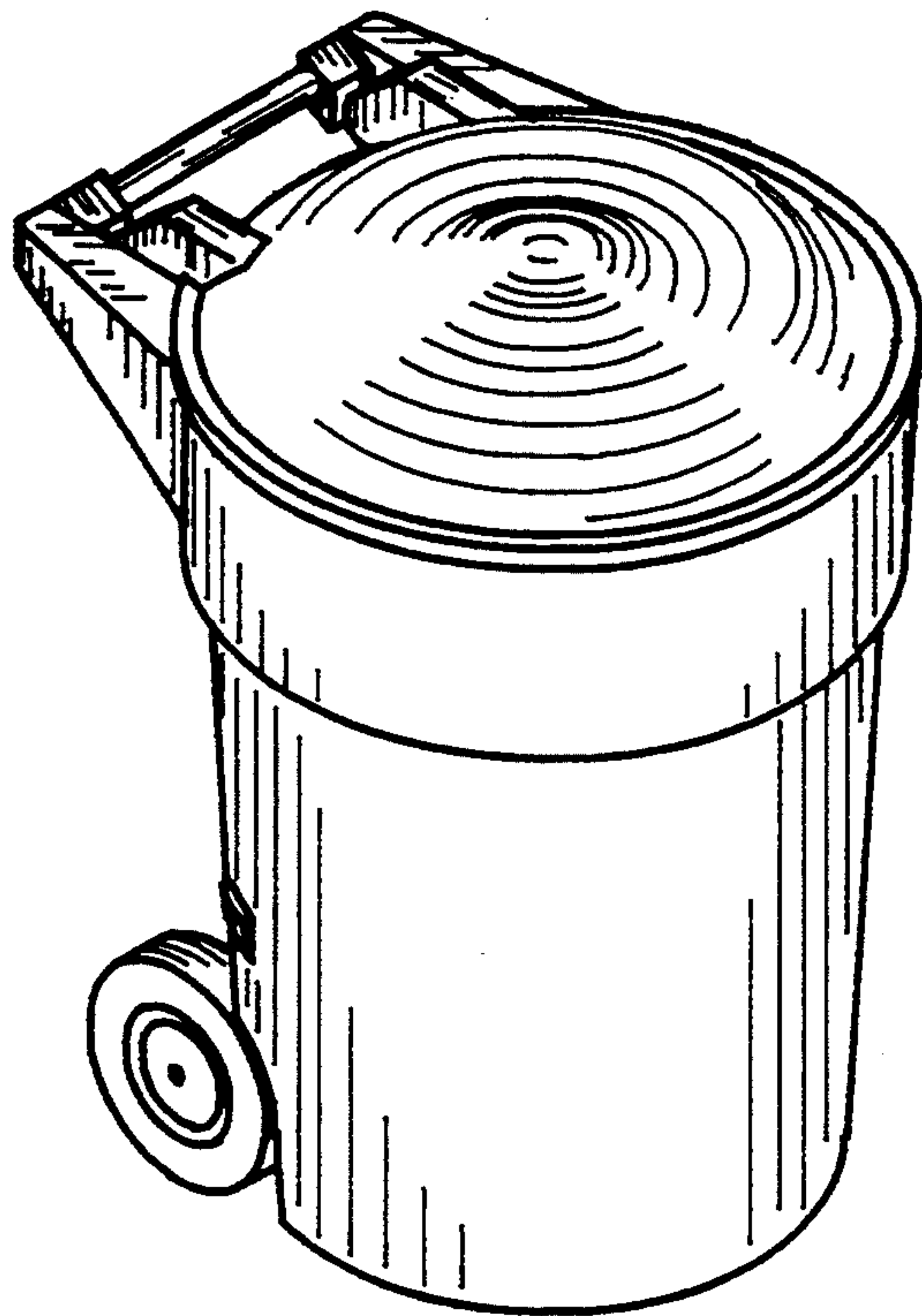


FIG. 1

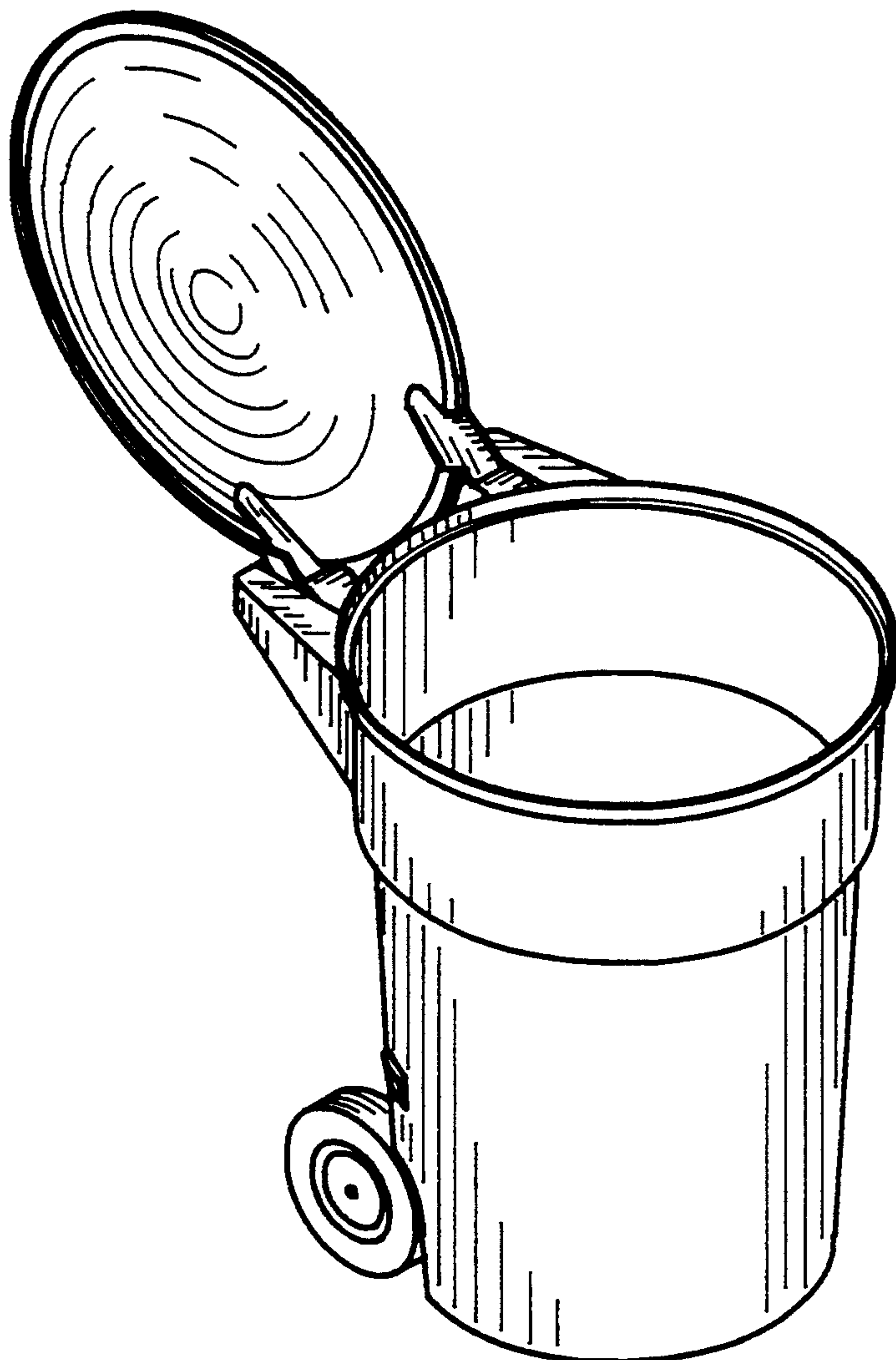


FIG. 2

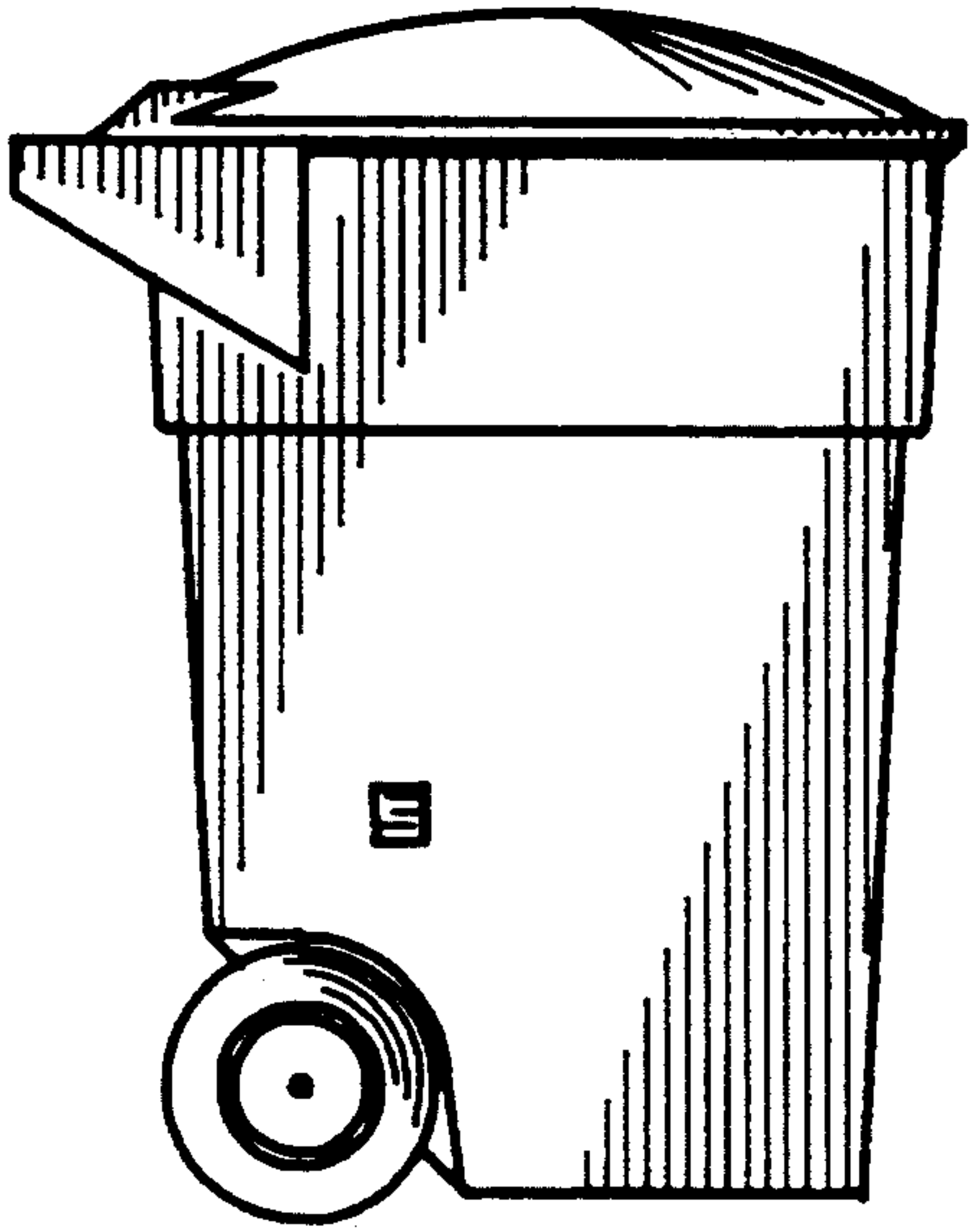


FIG. 3

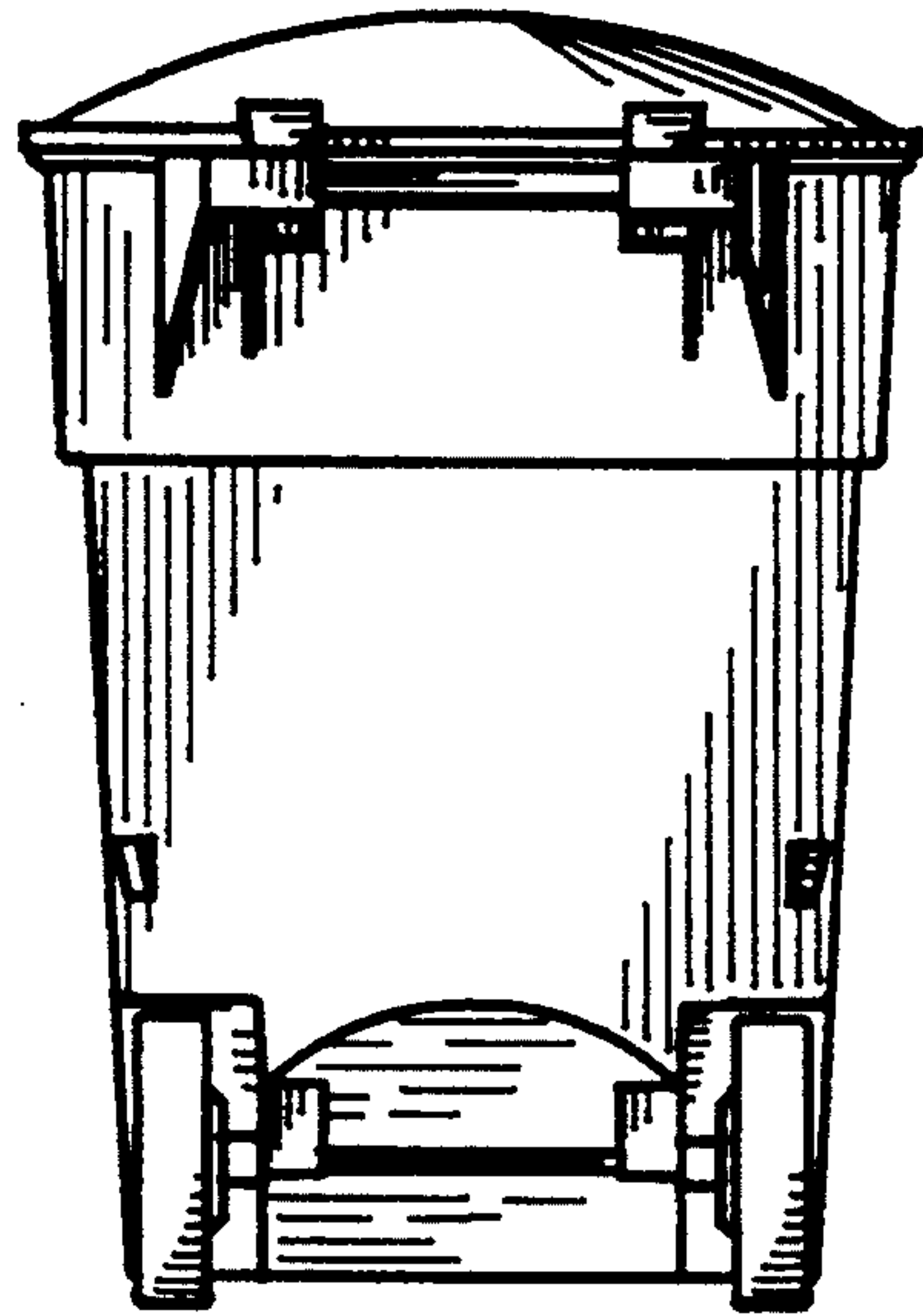


FIG. 4

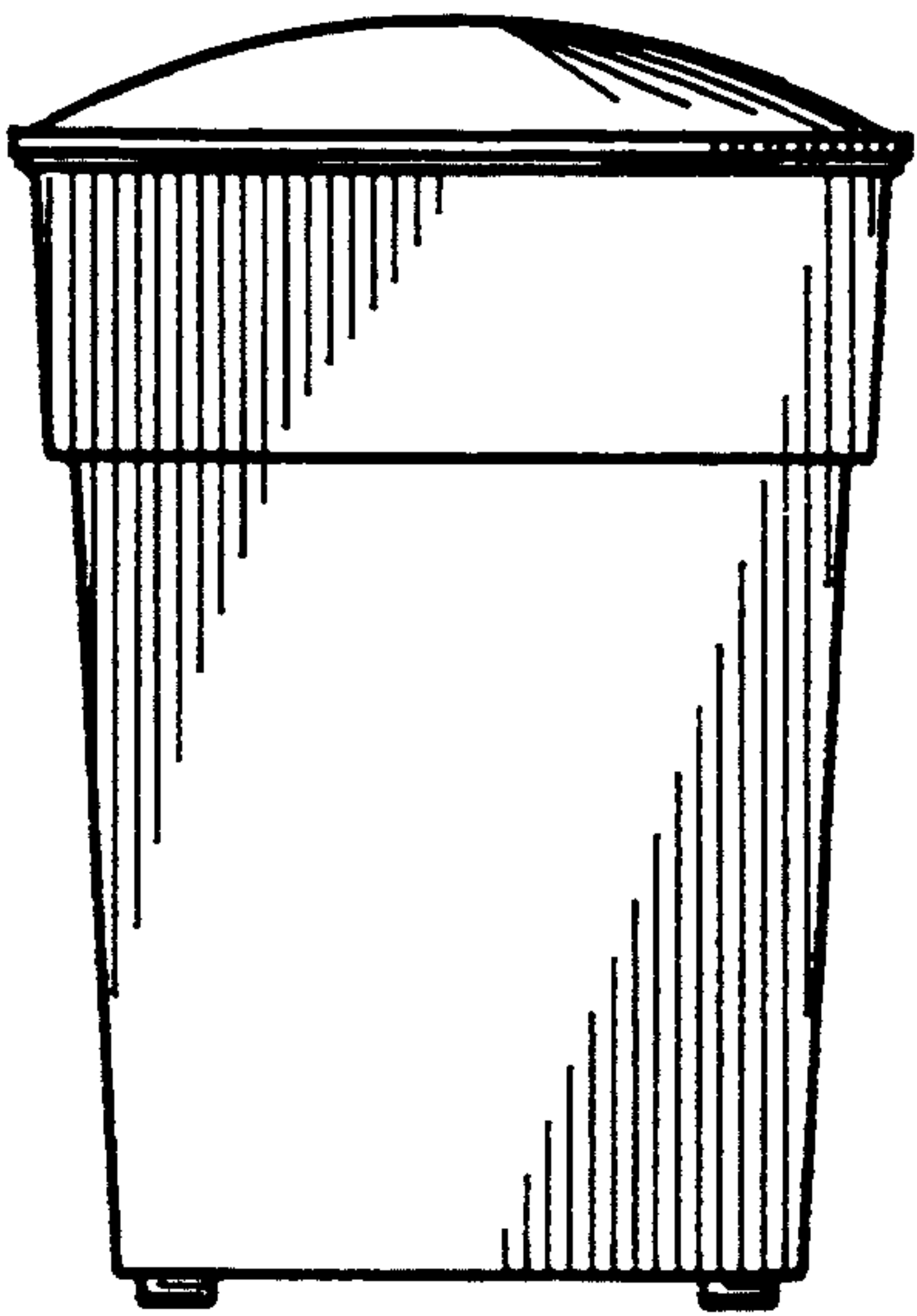


FIG. 5

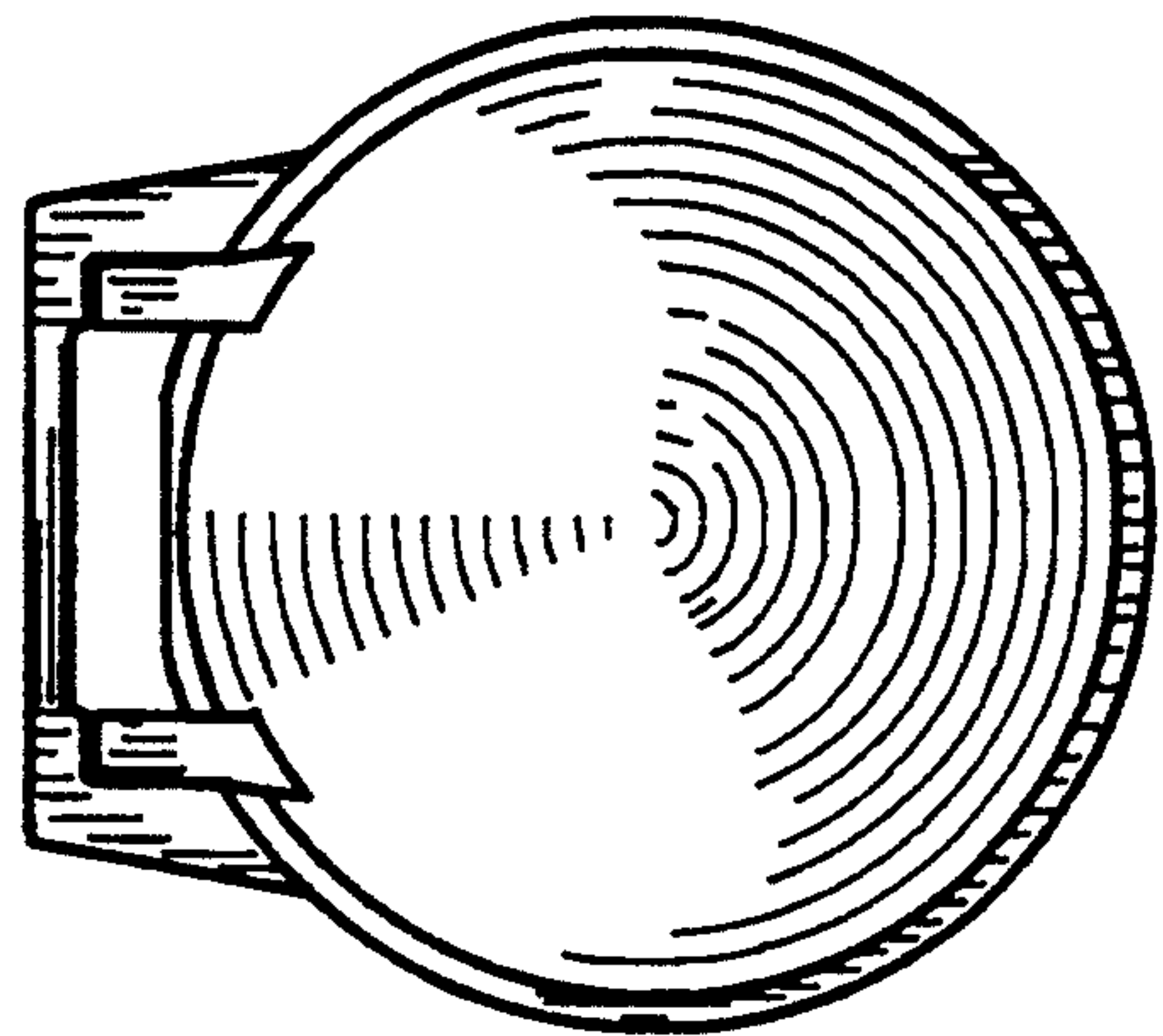


FIG. 6

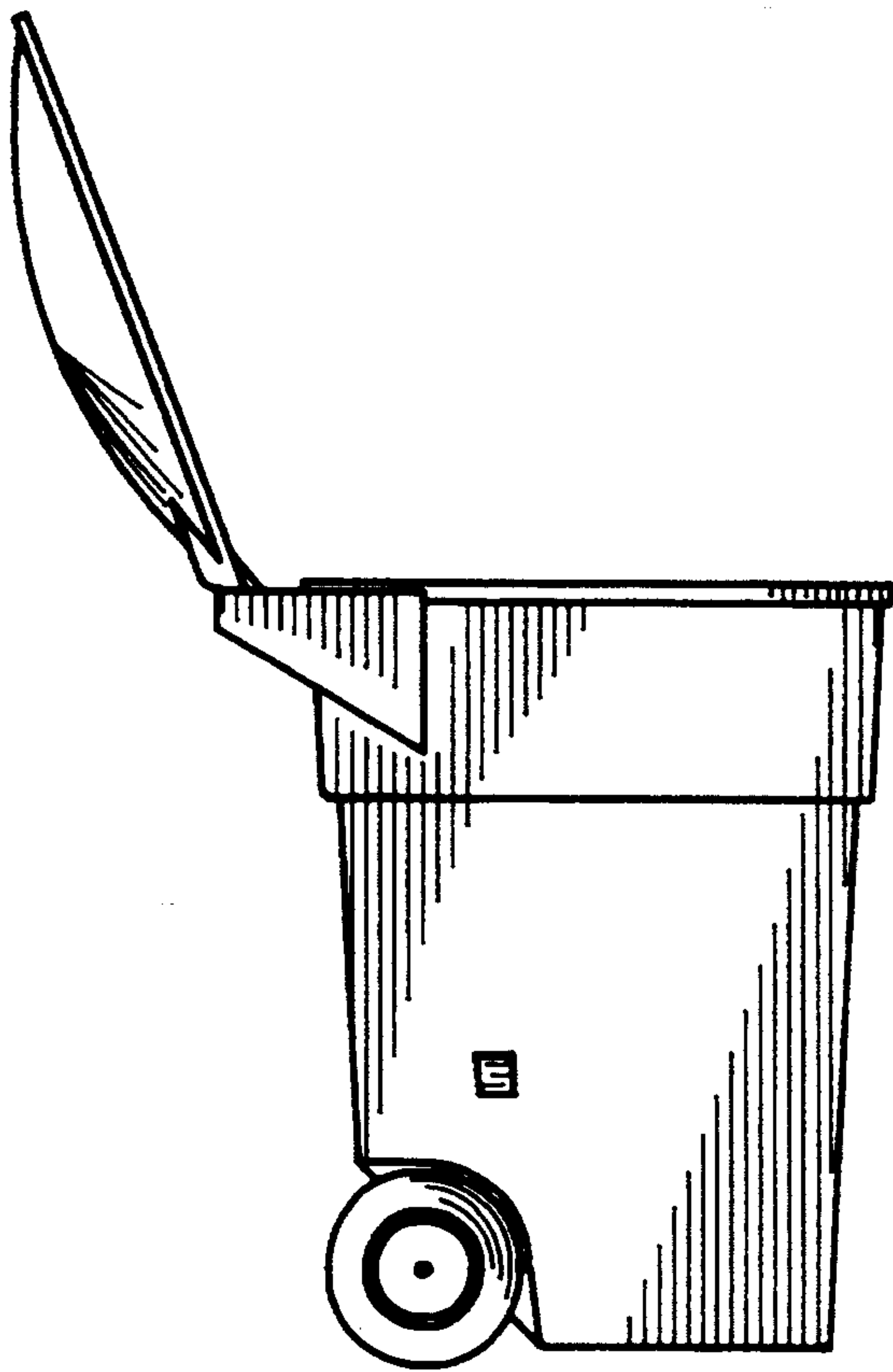


FIG. 7

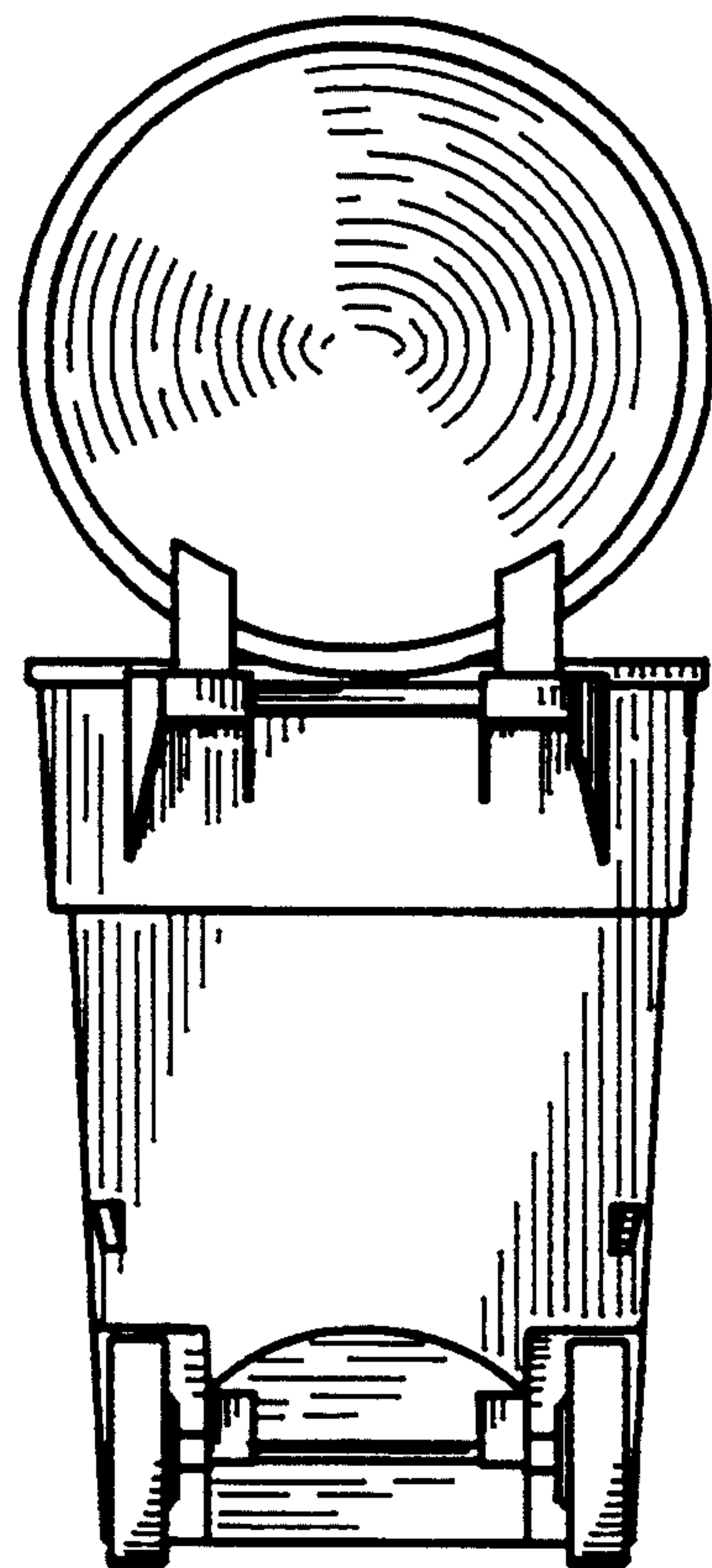


FIG. 8

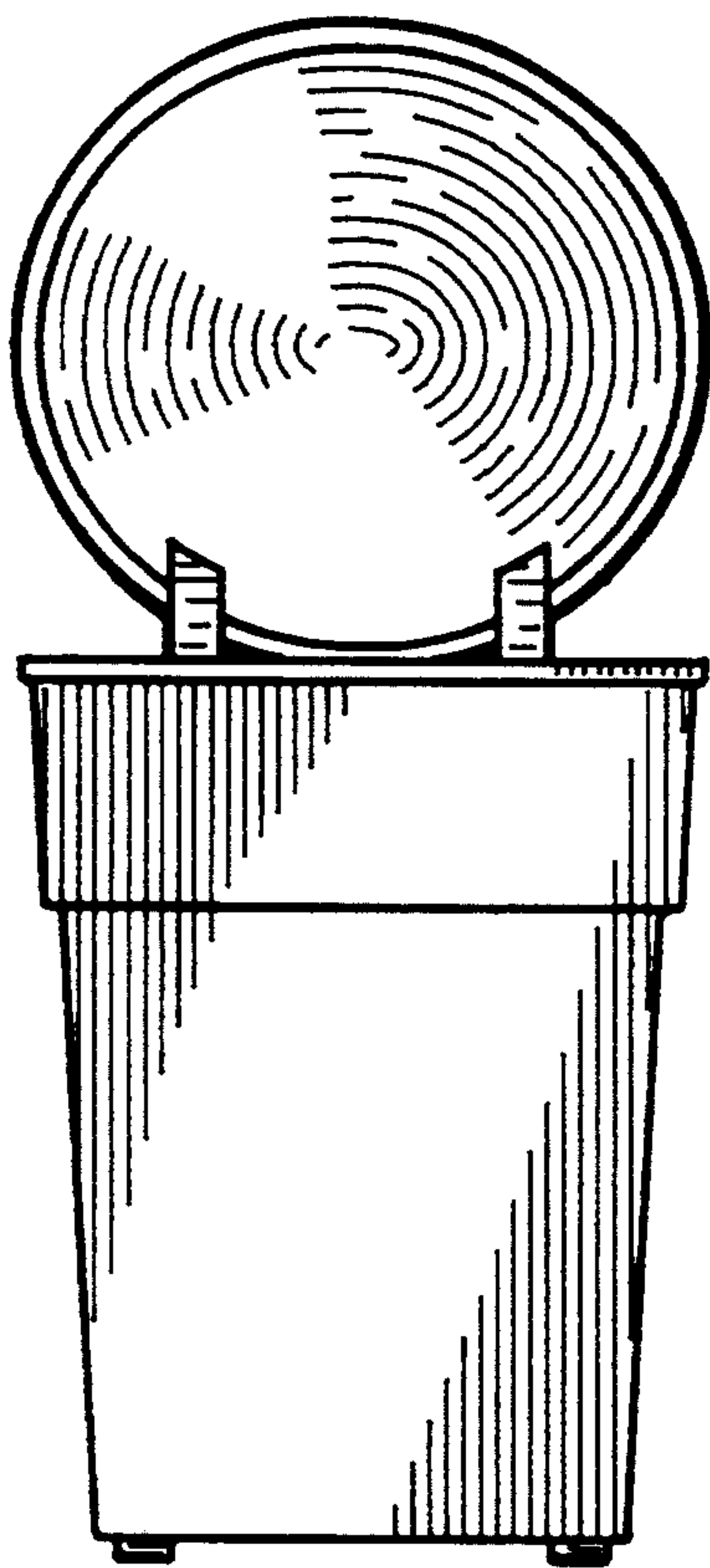


FIG. 9

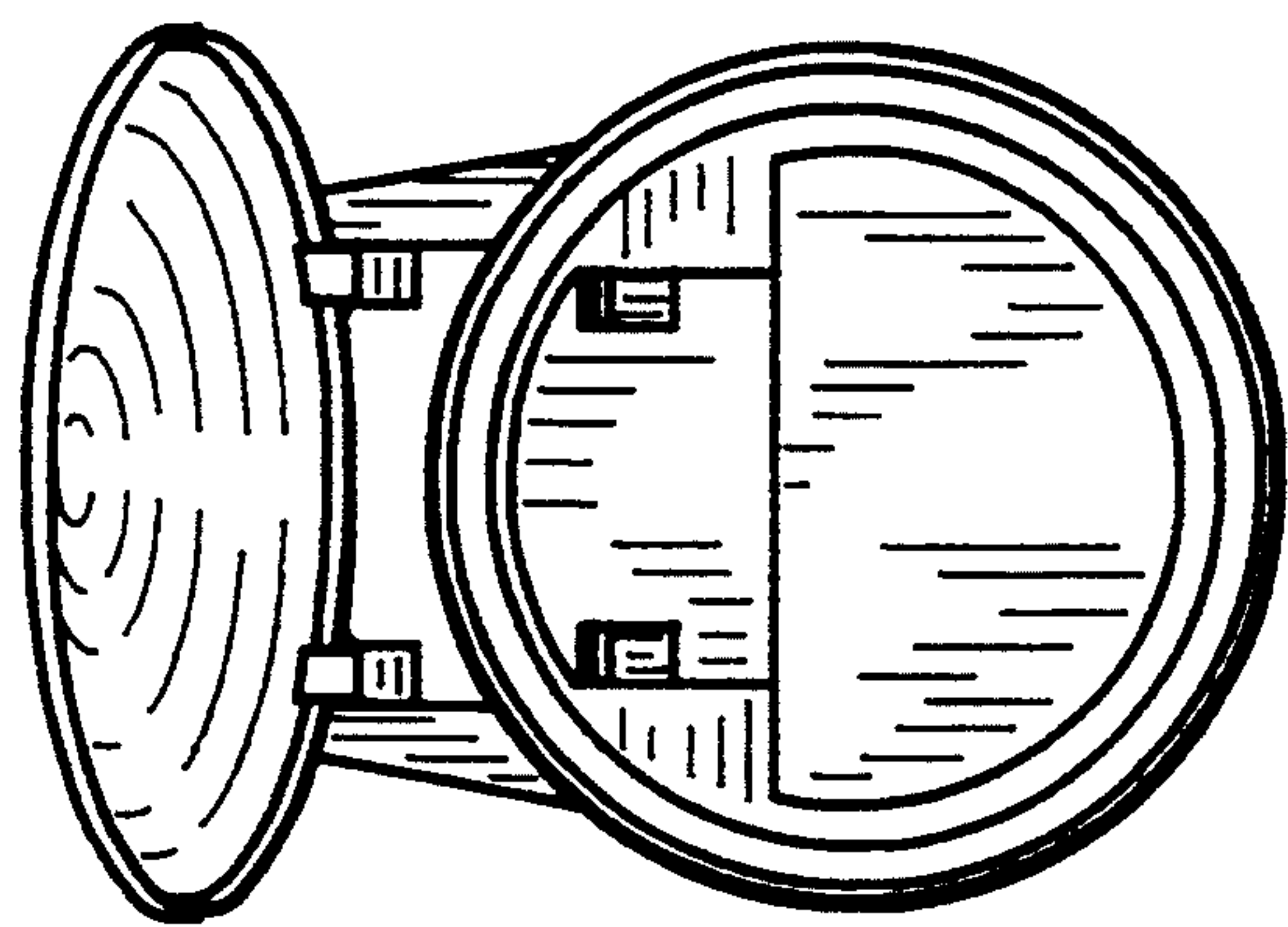


FIG. 10