



US00D349793S

United States Patent [19]

Zahuranec et al.

[11] Patent Number: **Des. 349,793**

[45] Date of Patent: **** Aug. 16, 1994**

[54] **CARPET SWEEPER**

[75] Inventors: **Terry L. Zahuranec, Hudson; Craig M. Saunders, Rocky River, both of Ohio**

[73] Assignee: **Royal Appliance Mfg. Co., Cleveland, Ohio**

[*] Notice: The portion of the term of this patent subsequent to Apr. 26, 2008 has been disclaimed.

[**] Term: **14 Years**

[21] Appl. No.: **731,705**

[22] Filed: **Jul. 17, 1991**

[52] U.S. Cl. **D32/38**

[58] Field of Search 15/41.1, 42-48, 15/323-326, 327.6, 335, 350-351, 361, 377, 412; D32/21-22, 32-34, 38-39

[56] **References Cited**

U.S. PATENT DOCUMENTS

- D. 256,878 9/1980 Kubota et al. .
- D. 283,455 4/1986 Slany D32/38
- D. 285,735 9/1986 Hanyu D32/38

- D. 312,154 11/1990 Kubota D32/38
- D. 317,067 5/1991 Kubota D32/38
- 3,628,211 12/1971 Fukuba 15/48
- 3,665,540 5/1972 Leifheit et al. 15/45
- 3,818,532 6/1974 Leifheit et al. 15/42
- 4,085,283 4/1978 Rosendall 15/48
- 4,095,304 6/1978 Shinozaki et al. 15/48
- 4,124,913 11/1978 Rosendall 15/42
- 4,357,727 11/1982 McDowell 15/41 R

Primary Examiner—Ruth McInroy
Attorney, Agent, or Firm—Fay, Sharpe, Beall, Fagan, Minnich & McKee

[57] **CLAIM**

The ornamental design for a carpet sweeper, as shown and described.

DESCRIPTION

FIG. 1 is a perspective view of a carpet sweeper showing our new design;
FIG. 2 is a top plan view thereof;
FIG. 3 is a front elevational view thereof;
FIG. 4 is a right side elevational view thereof;
FIG. 5 is a left side elevational view thereof;
FIG. 6 is a rear elevational view thereof; and,
FIG. 7 is a bottom plan view thereof.

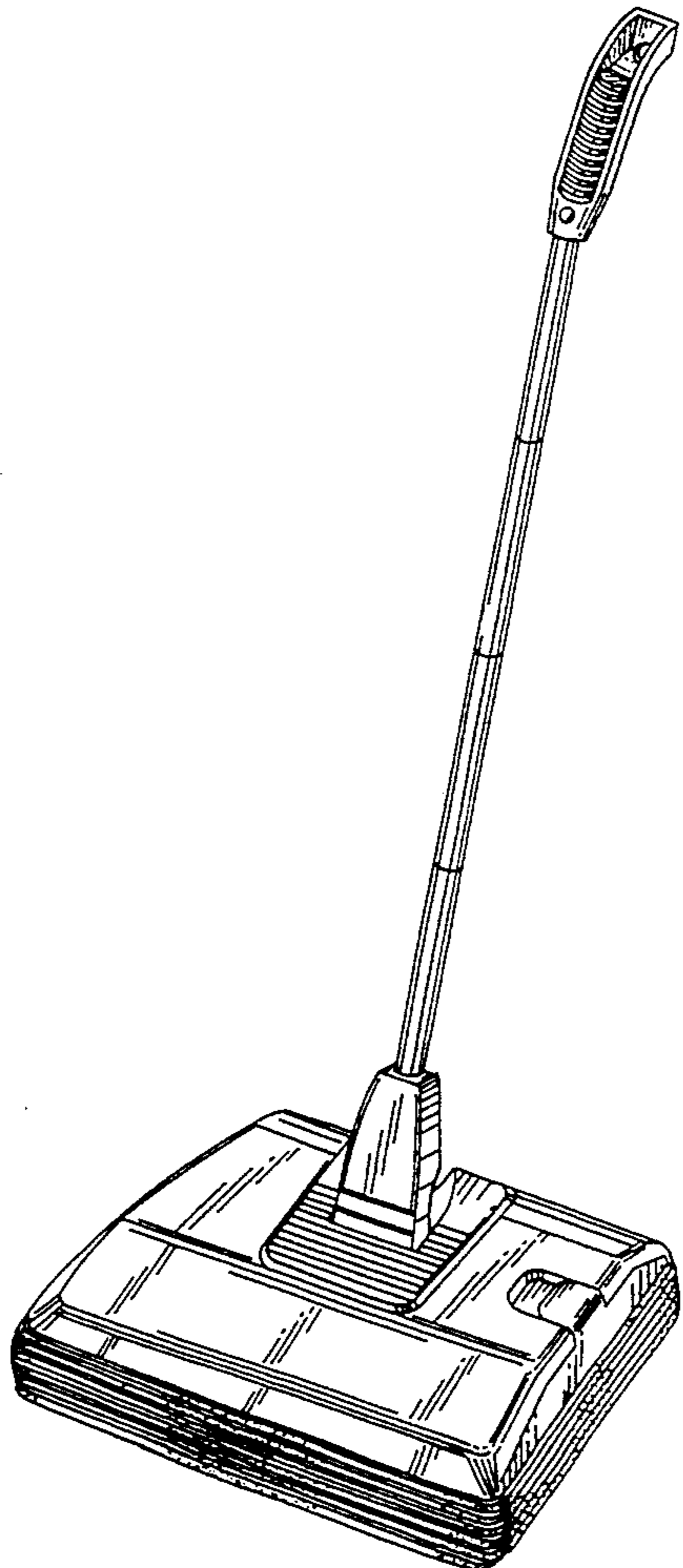


FIG. 1

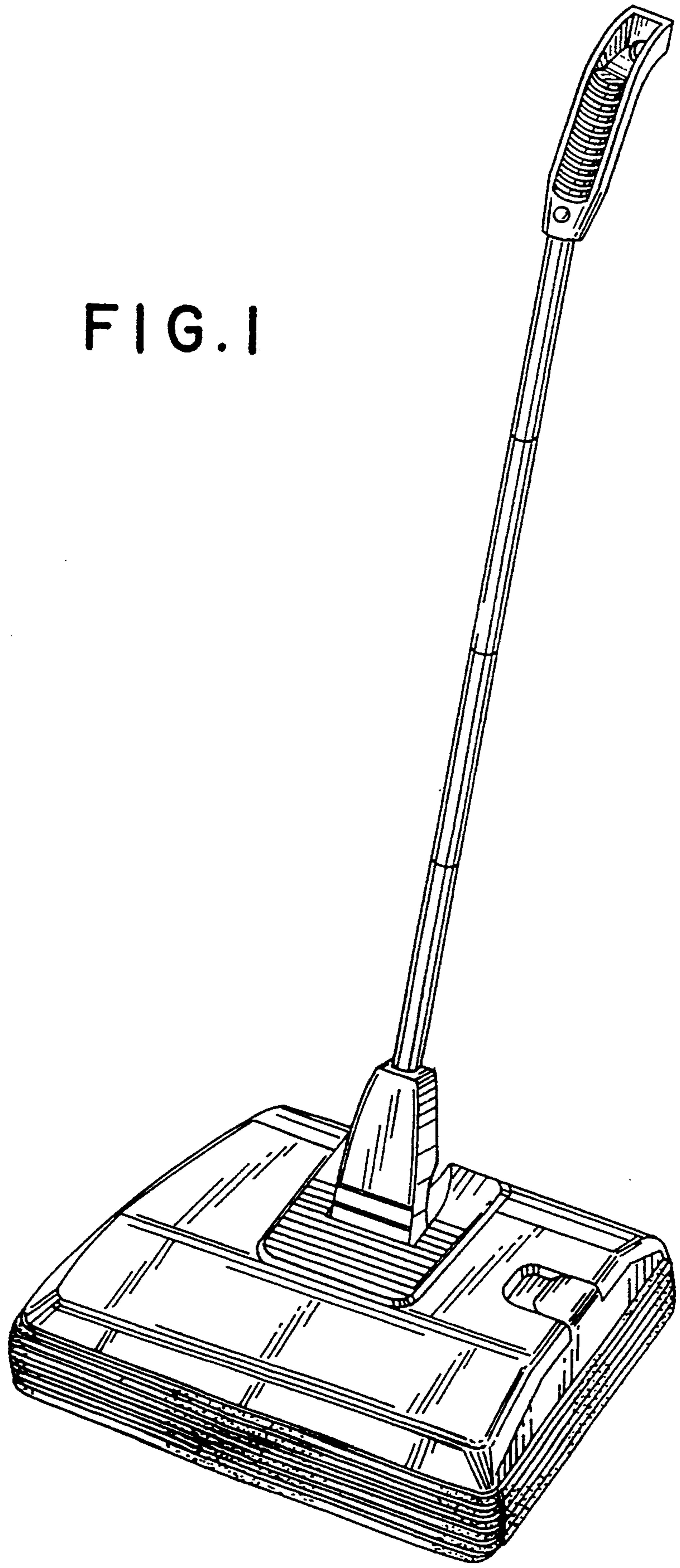


FIG. 2

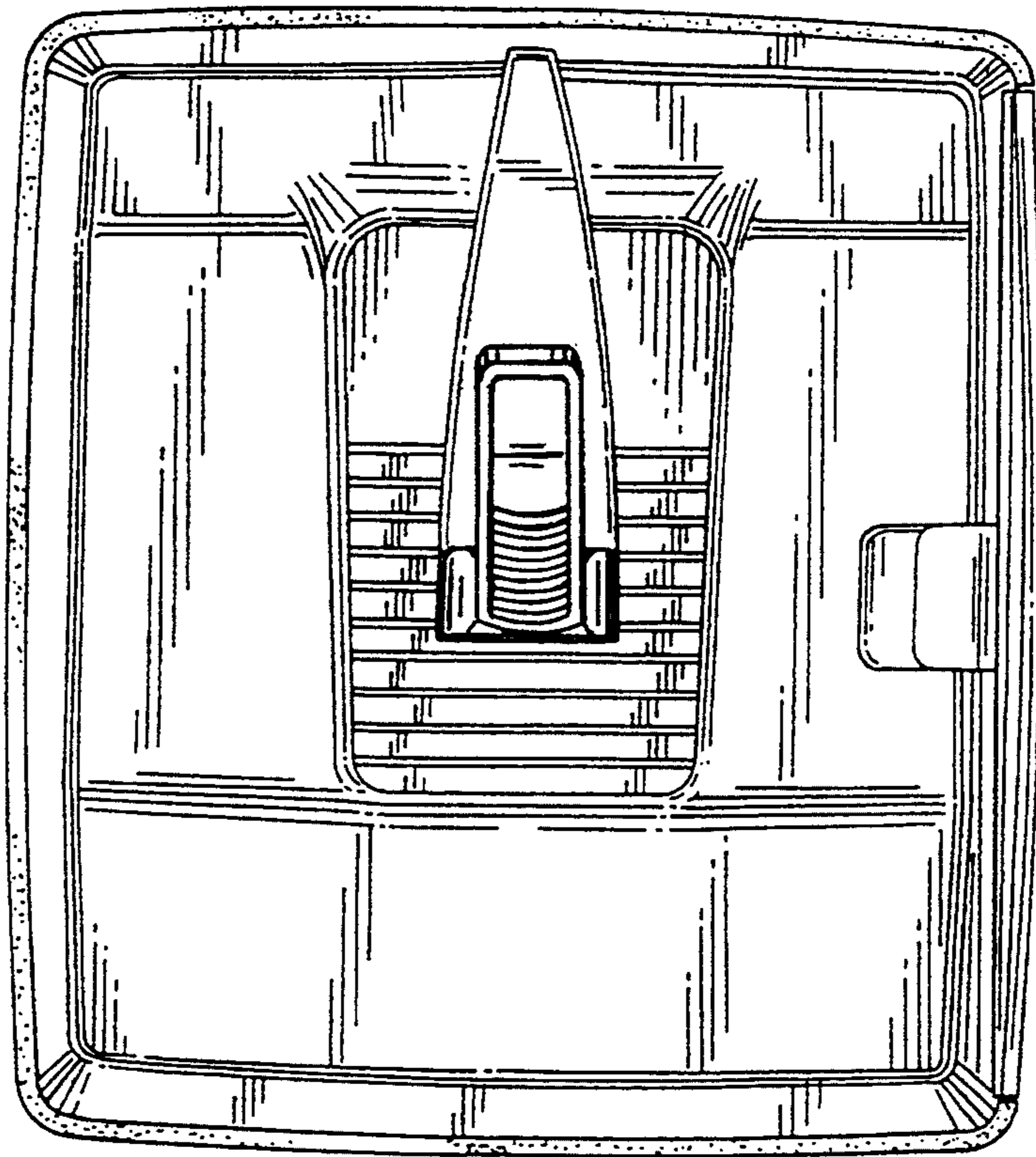
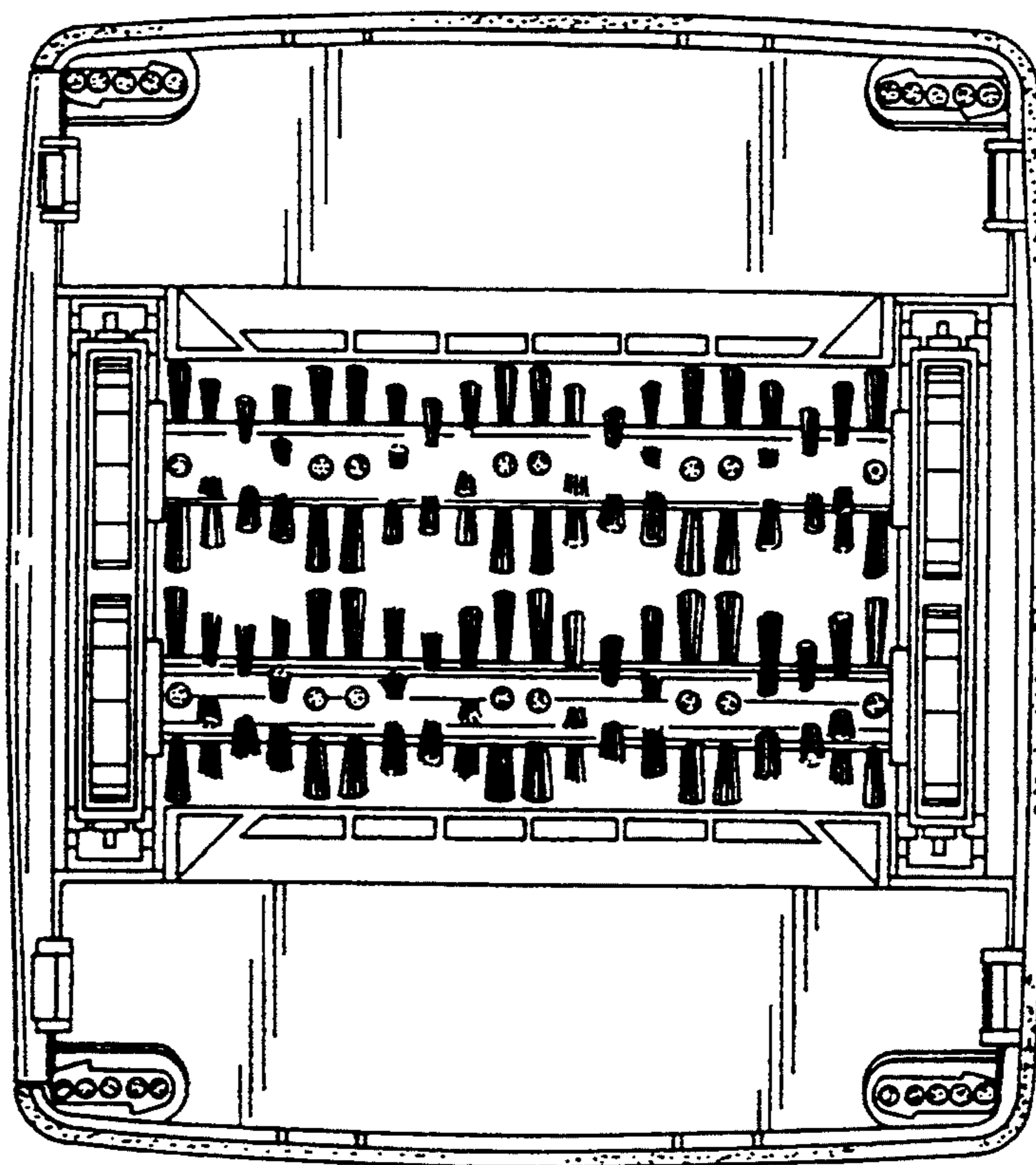
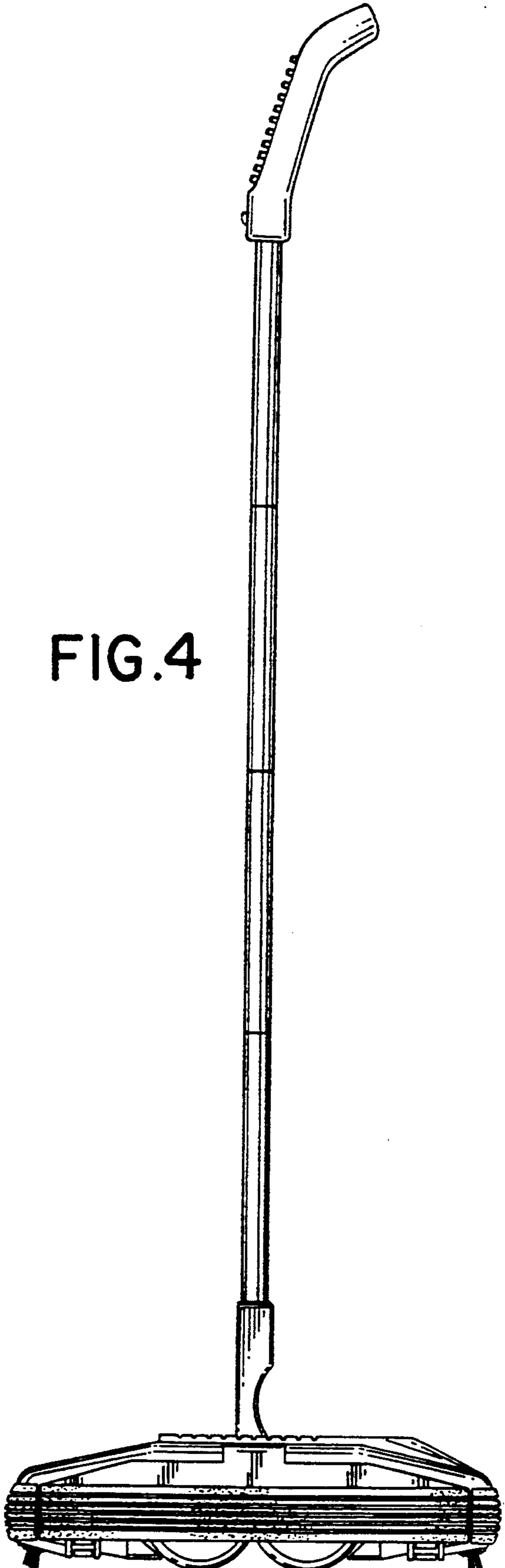
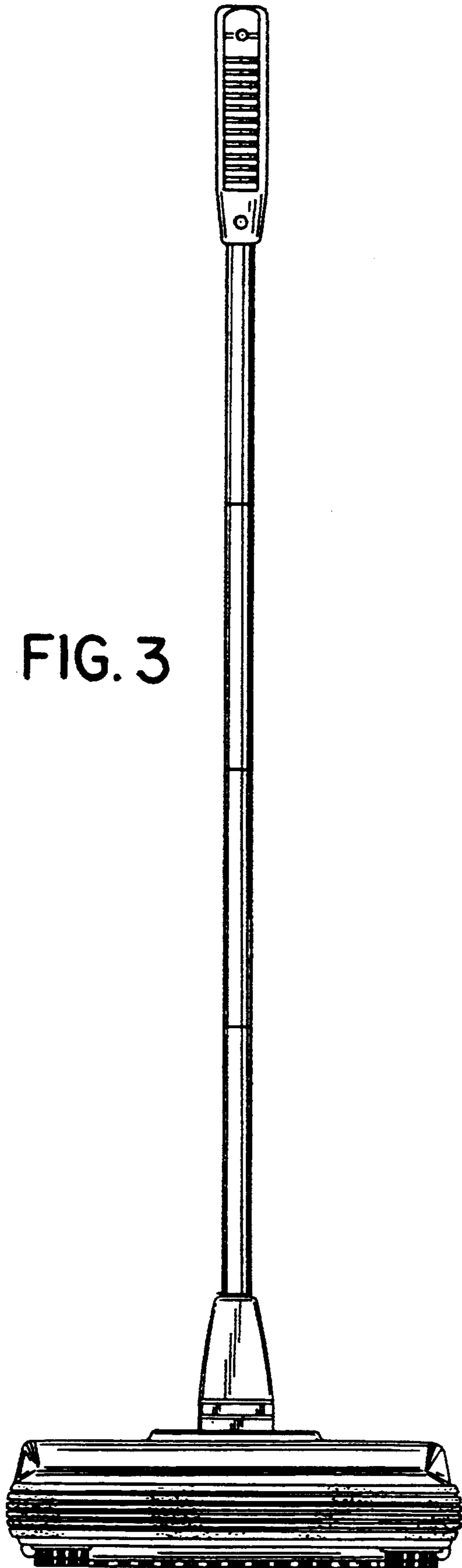


FIG. 7





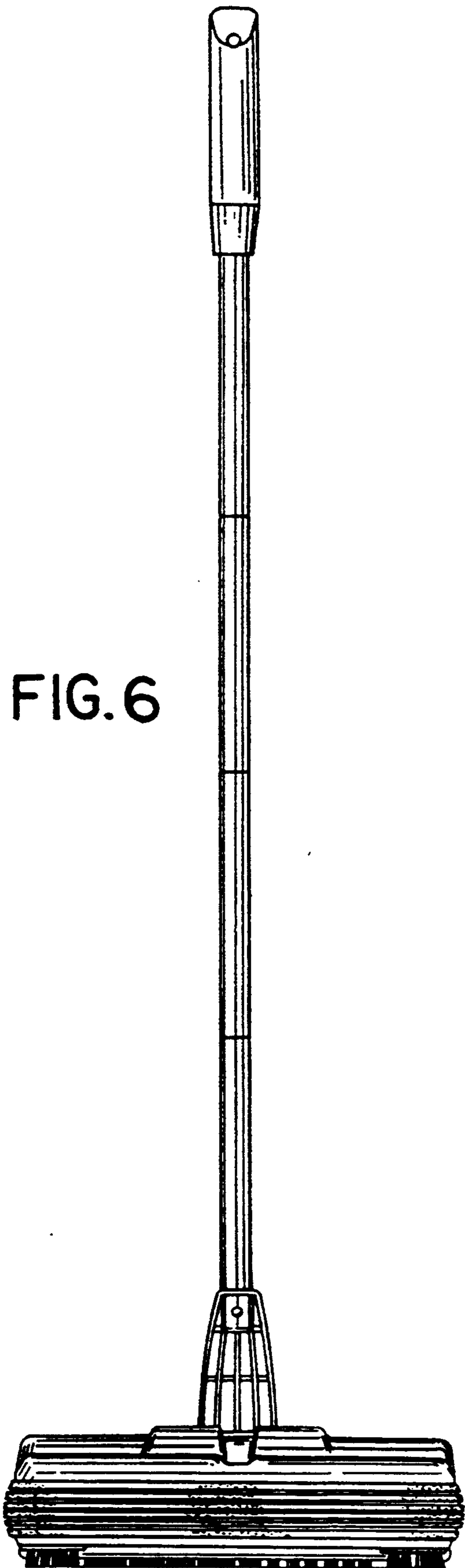


FIG. 6

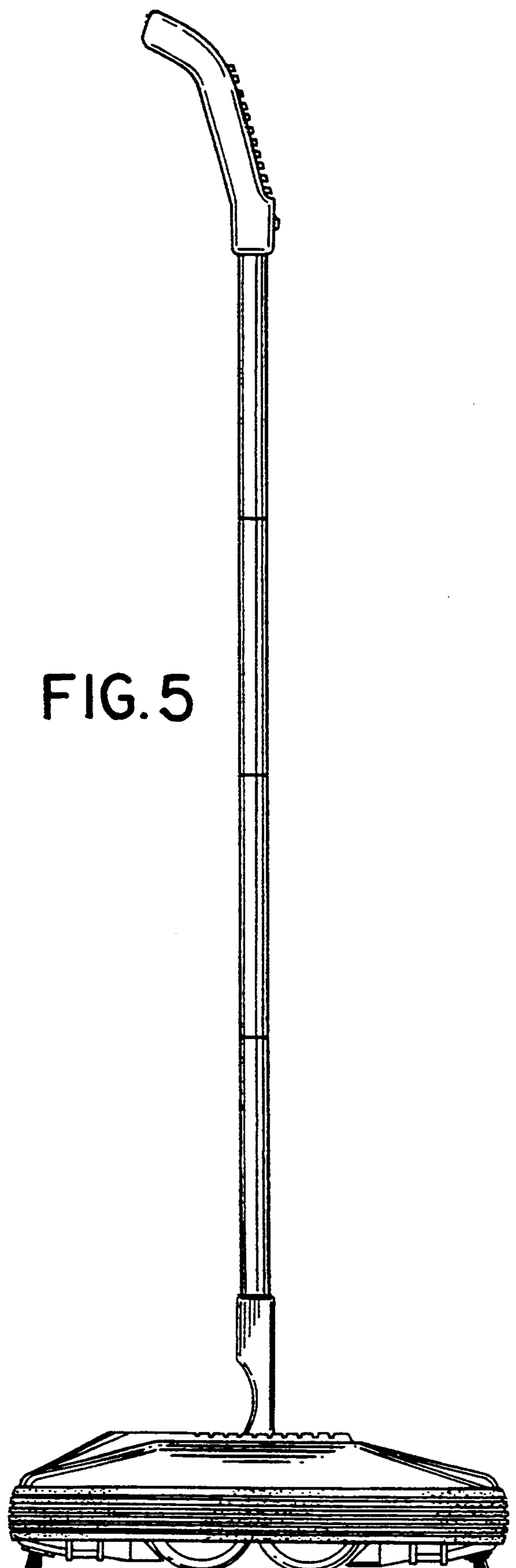


FIG. 5