



US00D349792S

United States Patent [19]

[11] Patent Number: **Des. 349,792**

Mulholland

[45] Date of Patent: **** Aug. 16, 1994**

[54] **CLEANING TOOL FOR A MEAT GRINDER DYE**

Primary Examiner—Wallace R. Burke
Assistant Examiner—Lavone D. Tabor
Attorney, Agent, or Firm—John J. Simkanich

[76] Inventor: **John E. Mulholland**, 102 Buckshire Dr., Holland, Pa. 18966

[57] **CLAIM**

[**] Term: **14 Years**

The ornamental design for a cleaning tool for a meat grinder dye, as shown and described.

[21] Appl. No.: **652,906**

DESCRIPTION

[22] Filed: **Feb. 8, 1991**

[52] U.S. Cl. **D32/35; D4/136**

[58] Field of Search **D4/127, 130, 136; 15/159.1, 160, 180, 186-188, 207.2; D32/35, 40**

FIG. 1 is a top plan view of a cleaning tool for a meat grinder dye showing my new design;
FIG. 2 is a bottom plan view thereof;
FIG. 3 is a front elevational view thereof, the rear being a mirror image;
FIG. 4 is a side elevational view thereof, the opposite side being a mirror image; and,
FIG. 5 is a reduced perspective view thereof wherein the cleaning pins, which are partially shown for ease of illustration, are understood to continue in the manner shown in FIG. 1.

[56] **References Cited**

U.S. PATENT DOCUMENTS

D. 262,672	1/1982	Chase et al.	D4/127
4,683,603	8/1987	Purlia et al.	15/160 X
4,763,380	8/1988	Sandvick	15/160

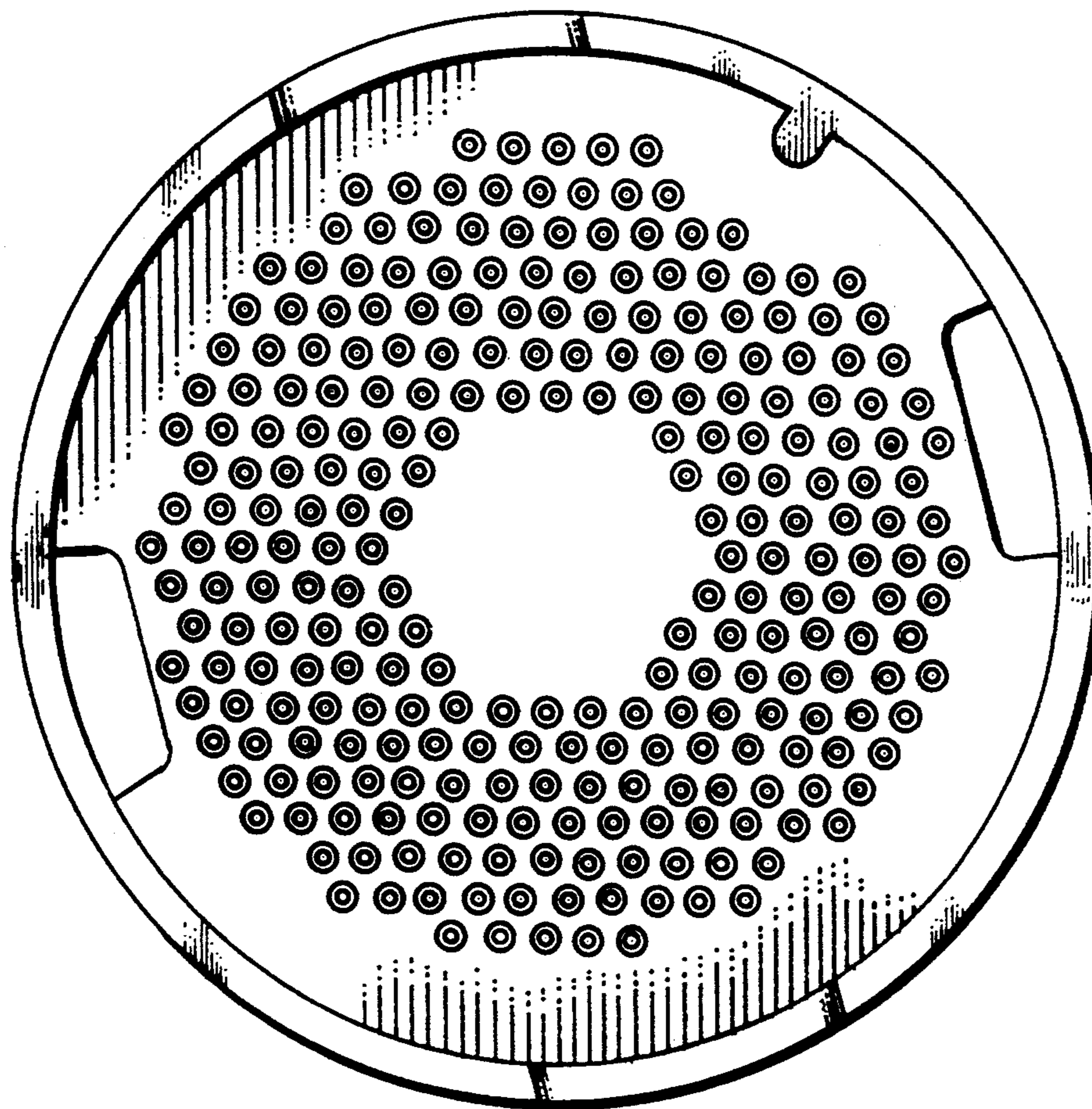


FIG. 1

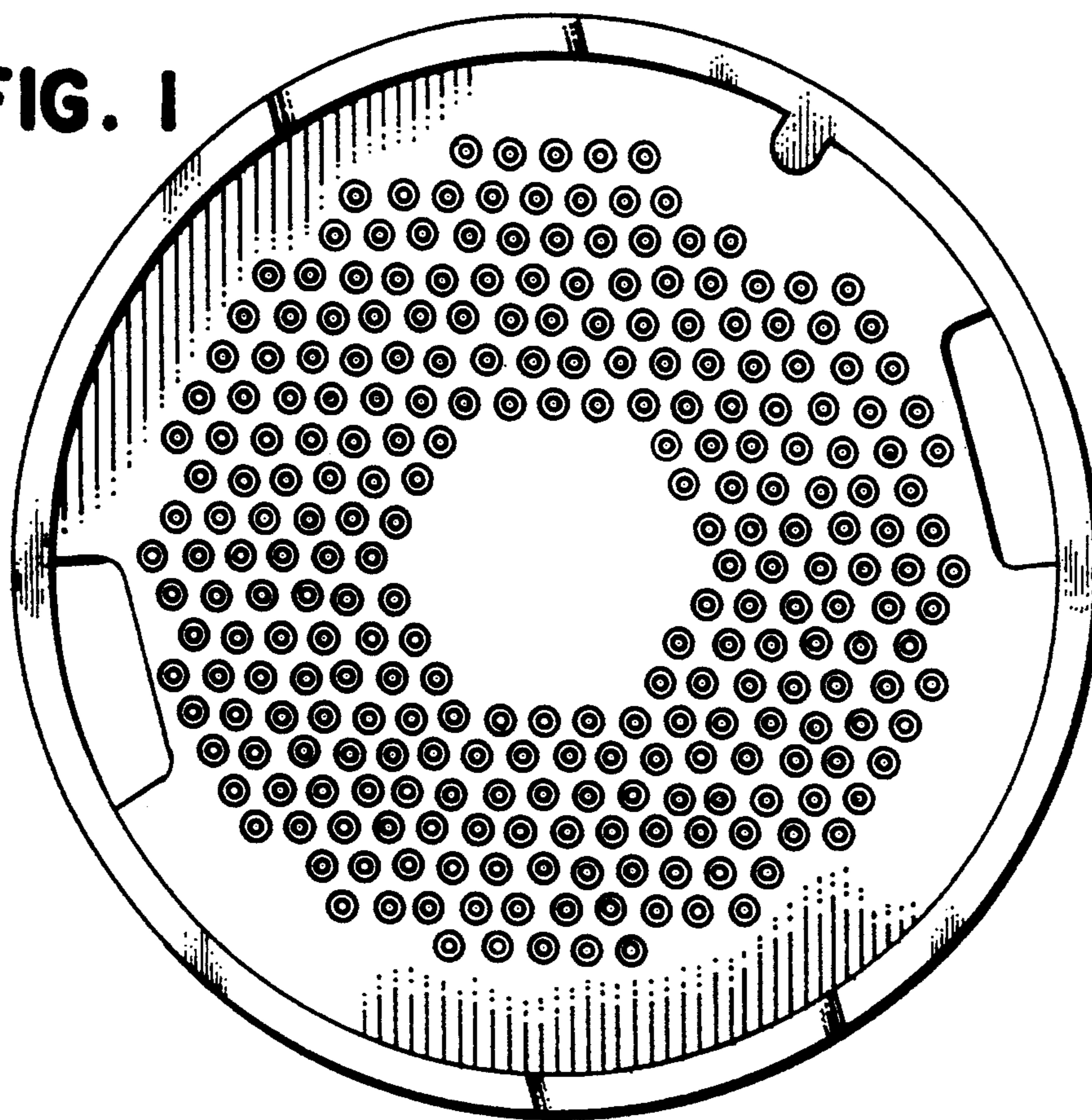
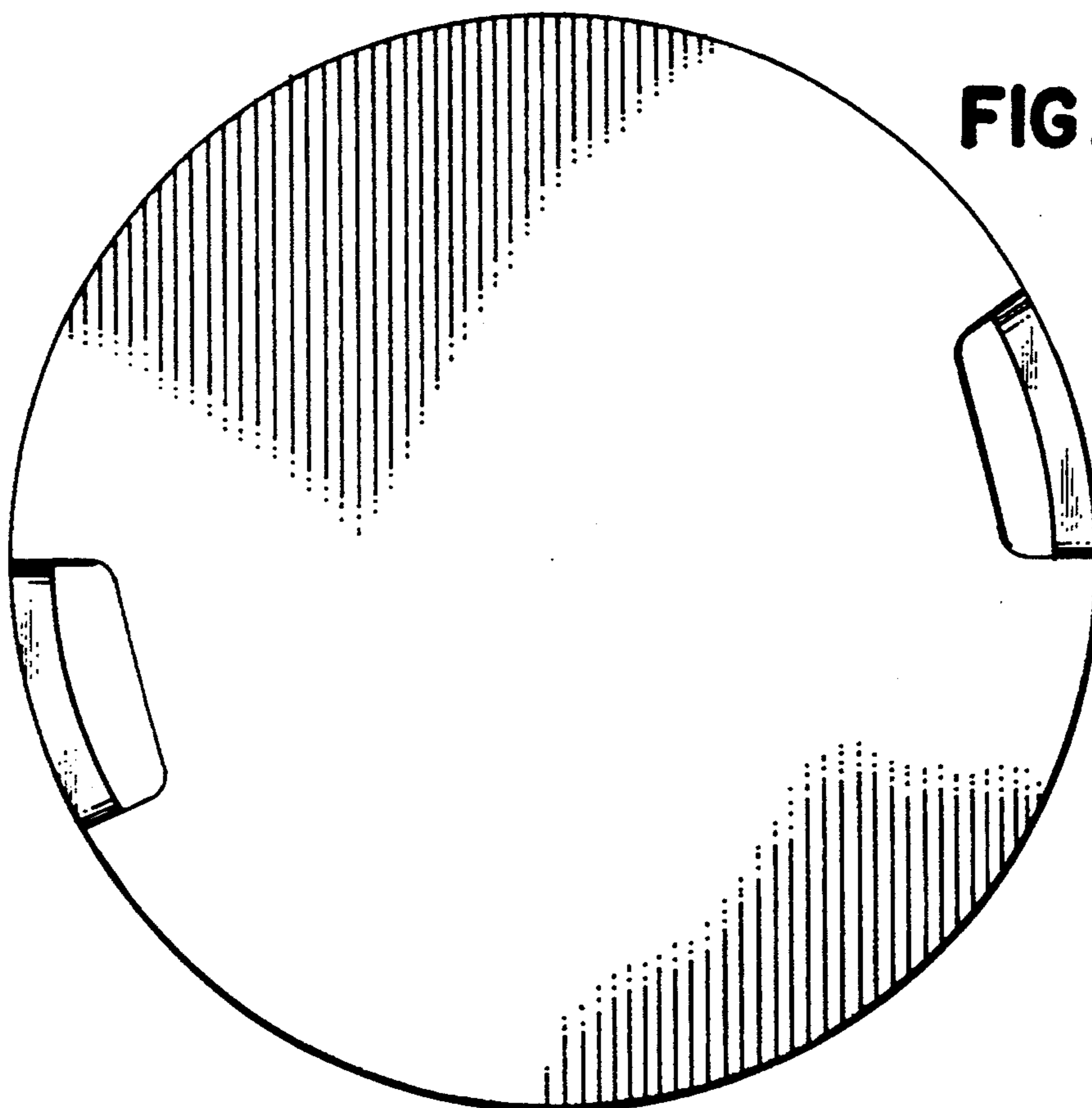


FIG. 2



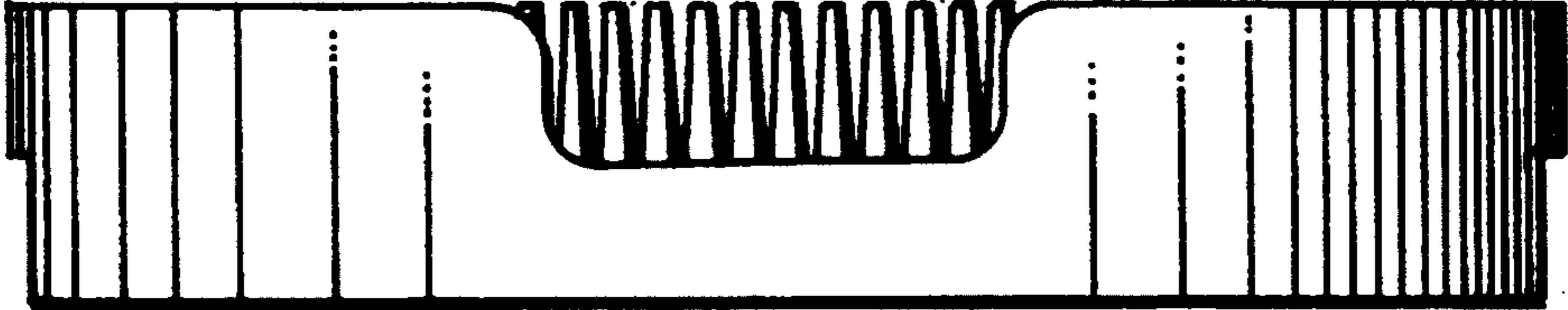


FIG. 3

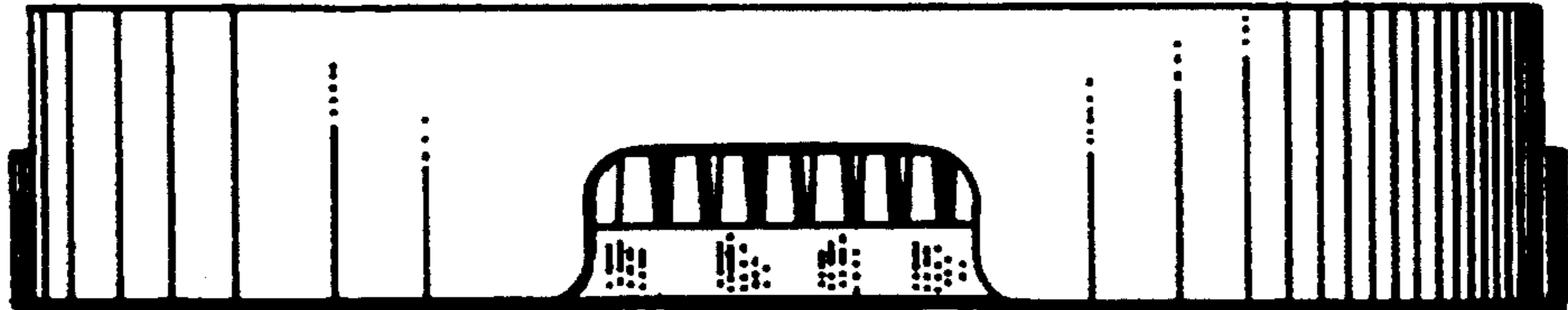


FIG. 4

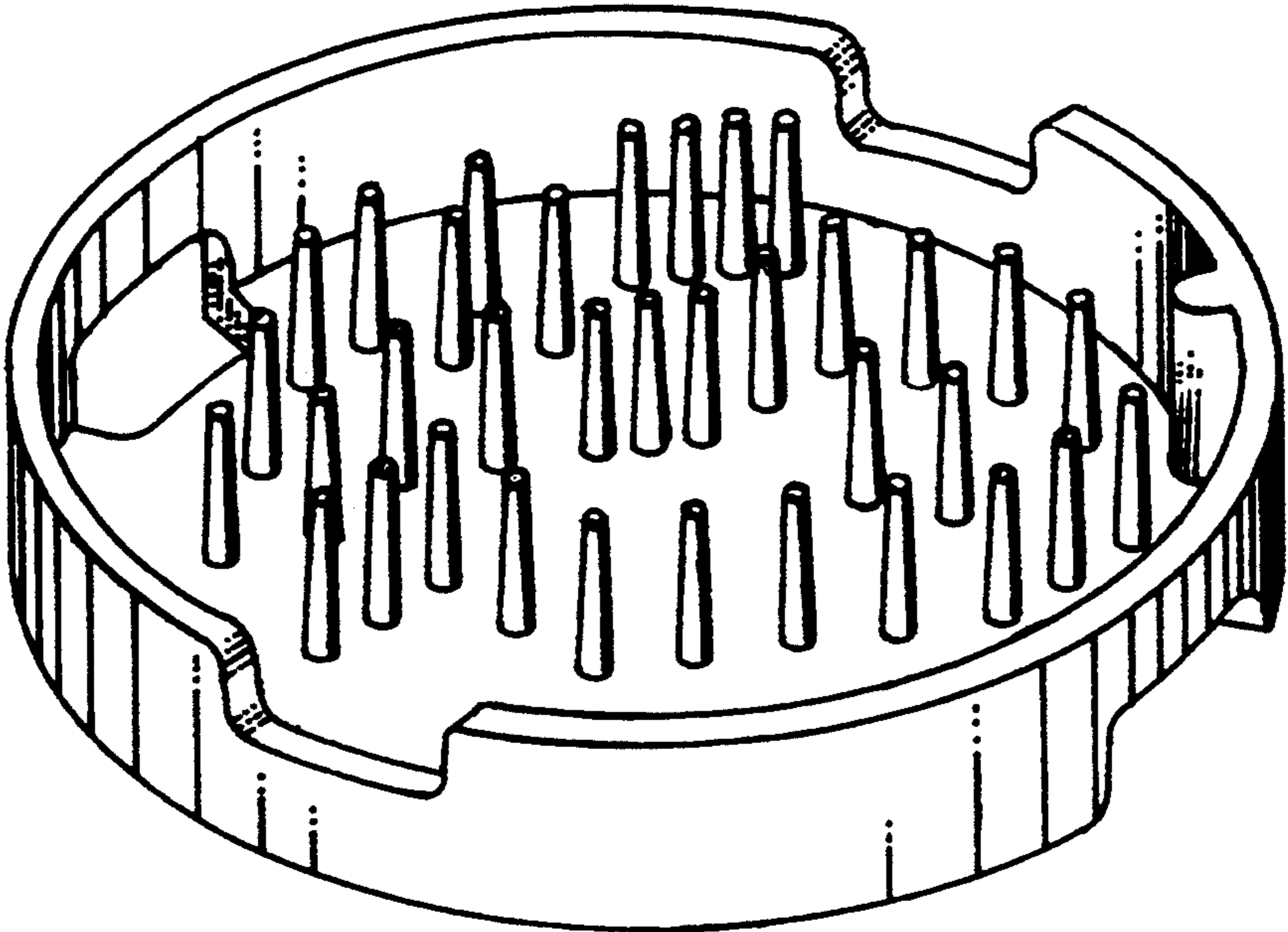


FIG. 5