



US00D349791S

United States Patent [19]

[11] Patent Number: **Des. 349,791**

Berfield et al.

[45] Date of Patent: **** Aug. 16, 1994**

[54] **WHEELED TYPE SUCTION PRODUCING UNIT FOR VACUUM CLEANER**

[75] Inventors: **Robert C. Berfield**, Jersey Shore;
Ronald F. Meland, Muncy, both of Pa.

[73] Assignee: **Shop-Vac Corporation**, Williamsport, Pa.

[**] Term: **14 Years**

[21] Appl. No.: **196,087**

[22] Filed: **May 19, 1988**

[52] U.S. Cl. **D32/31; D32/32**

[58] Field of Search 15/320-324,
15/332-333, 335, 339, 340.2, 344, 347, 350-353,
360, 383, 410, 412; D32/19, 21, 22

[56] **References Cited**

U.S. PATENT DOCUMENTS

4,458,377	7/1984	Frohbieler	15/320
4,542,556	9/1985	Hepple	15/321
4,573,235	3/1986	Baird, Sr. et al.	15/339

OTHER PUBLICATIONS

"Working With Tools & Equipment", p. 31, undated

but believed to have been on sale in U.S. more than one yr. prior to filing date of this application.

Photographs 1-6 of a Victa Vac 500 wheeled vacuum unit shown and described in "Working With Tools & Equipment" (listed above).

Primary Examiner—Ruth McInroy
Attorney, Agent, or Firm—Marshall, O'Toole, Gerstein, Murray & Borun

[57] **CLAIM**

The ornamental design for a wheeled type suction producing unit for vacuum cleaner, as shown and described.

DESCRIPTION

FIG. 1 is a top, front and right side perspective view of a wheeled type suction producing unit for vacuum cleaner showing our new design, the portion shown in broken lines is for illustrative purposes only and forms no part of the claimed design;

FIG. 2 is a right side elevational view thereof;

FIG. 3 is a left side elevational view thereof;

FIG. 4 is a top plan view thereof;

FIG. 5 is a rear elevational view thereof;

FIG. 6 is a front elevational view thereof; and,

FIG. 7 is a bottom plan view thereof.

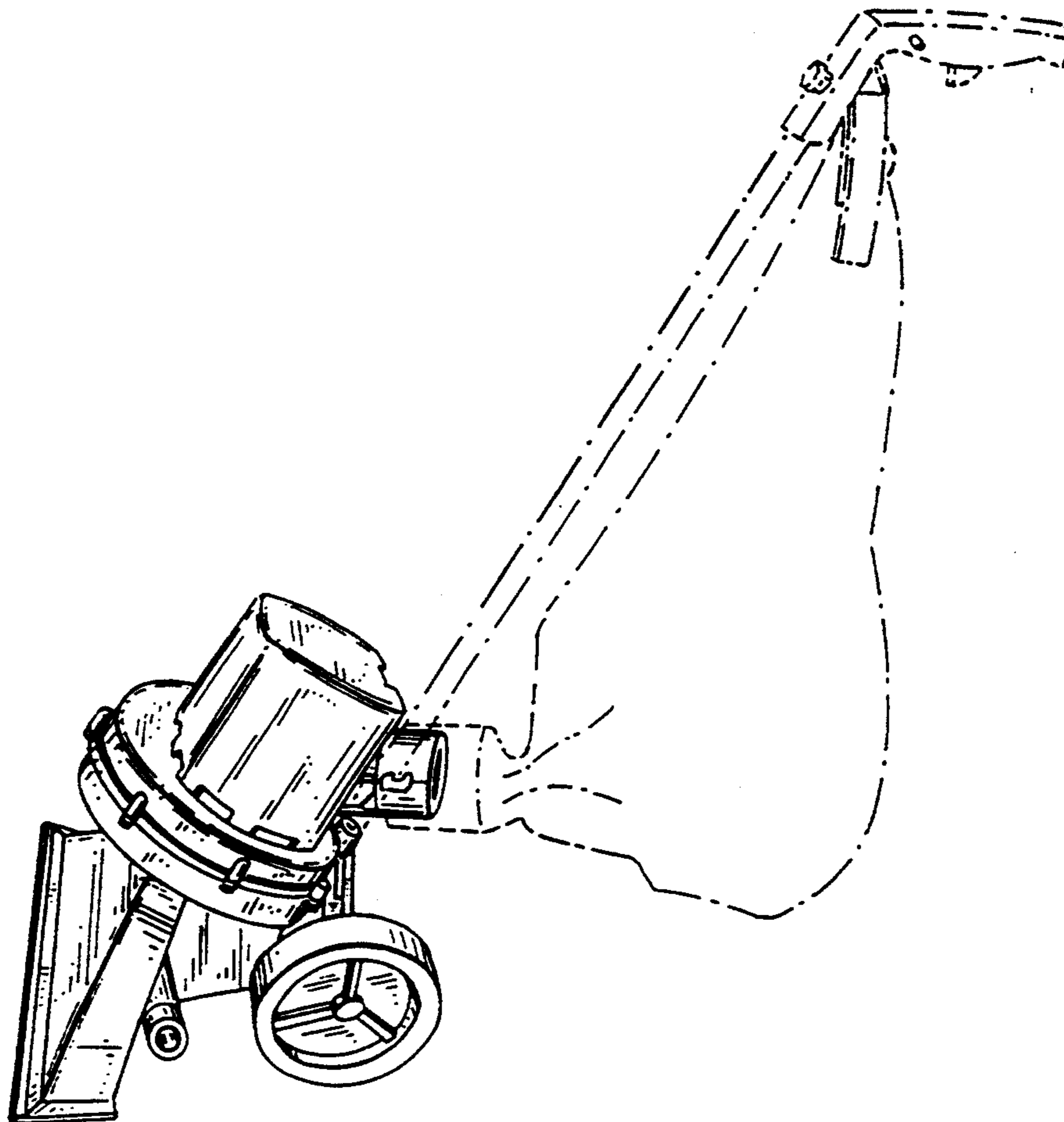
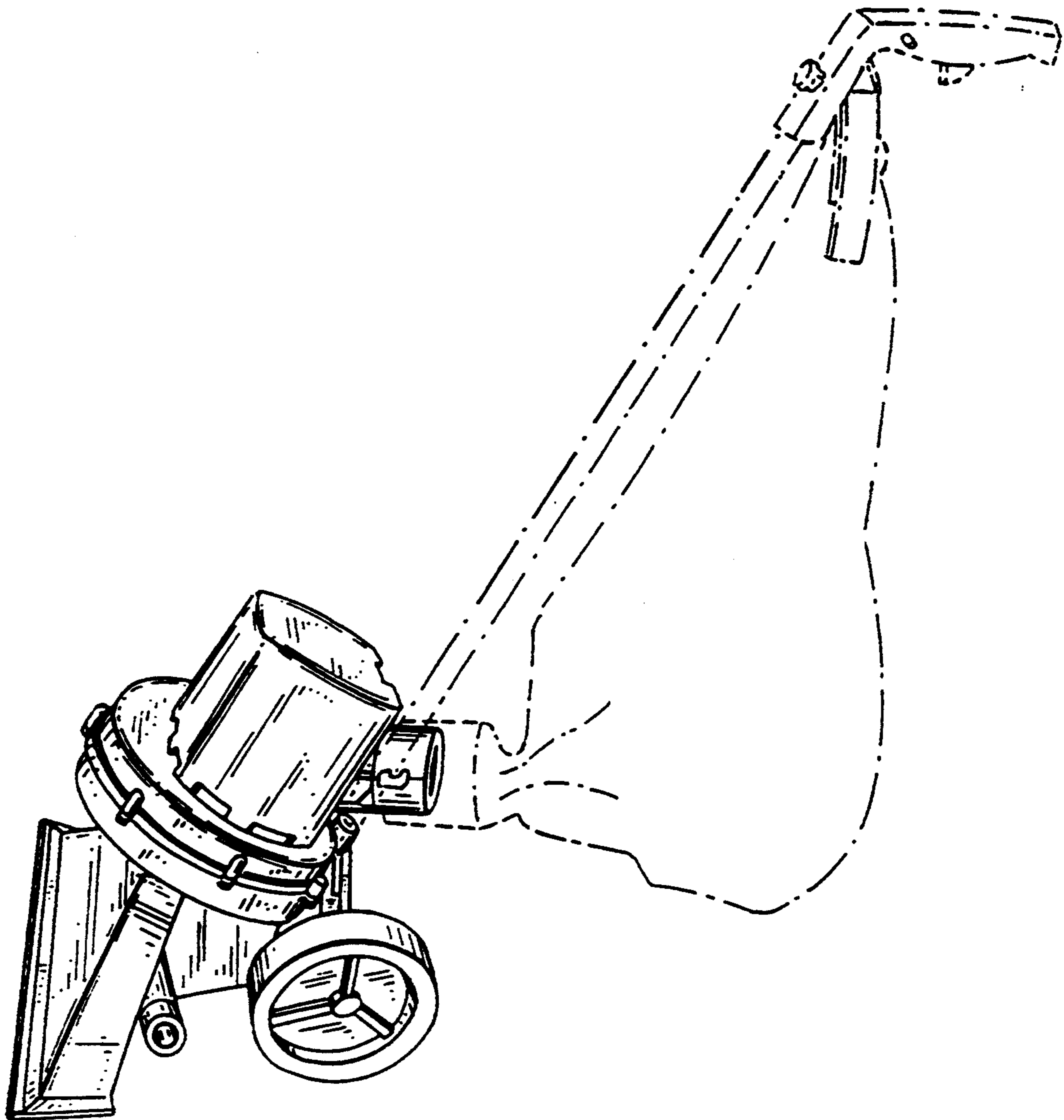


FIG. 1.



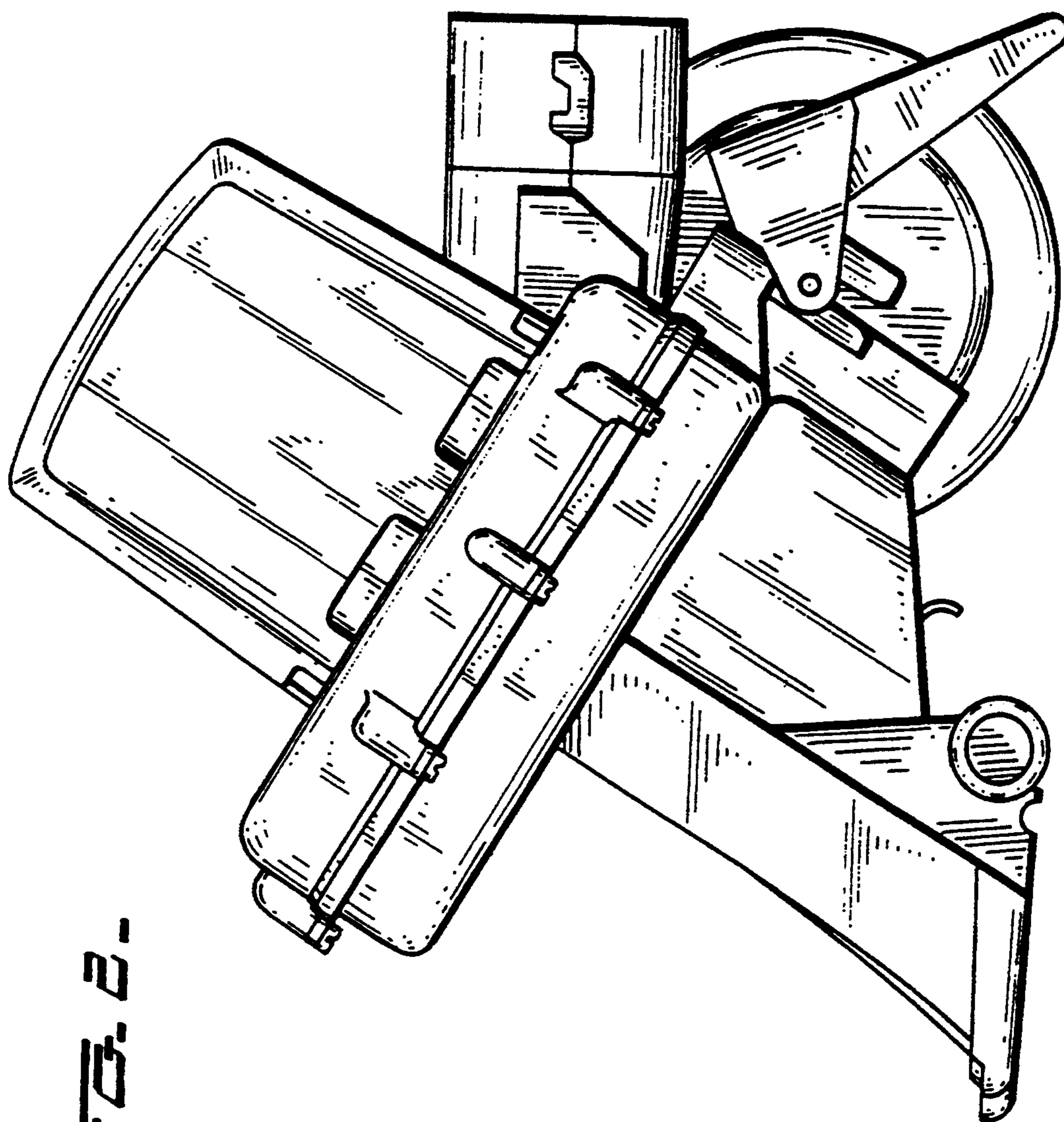


FIG. 2.

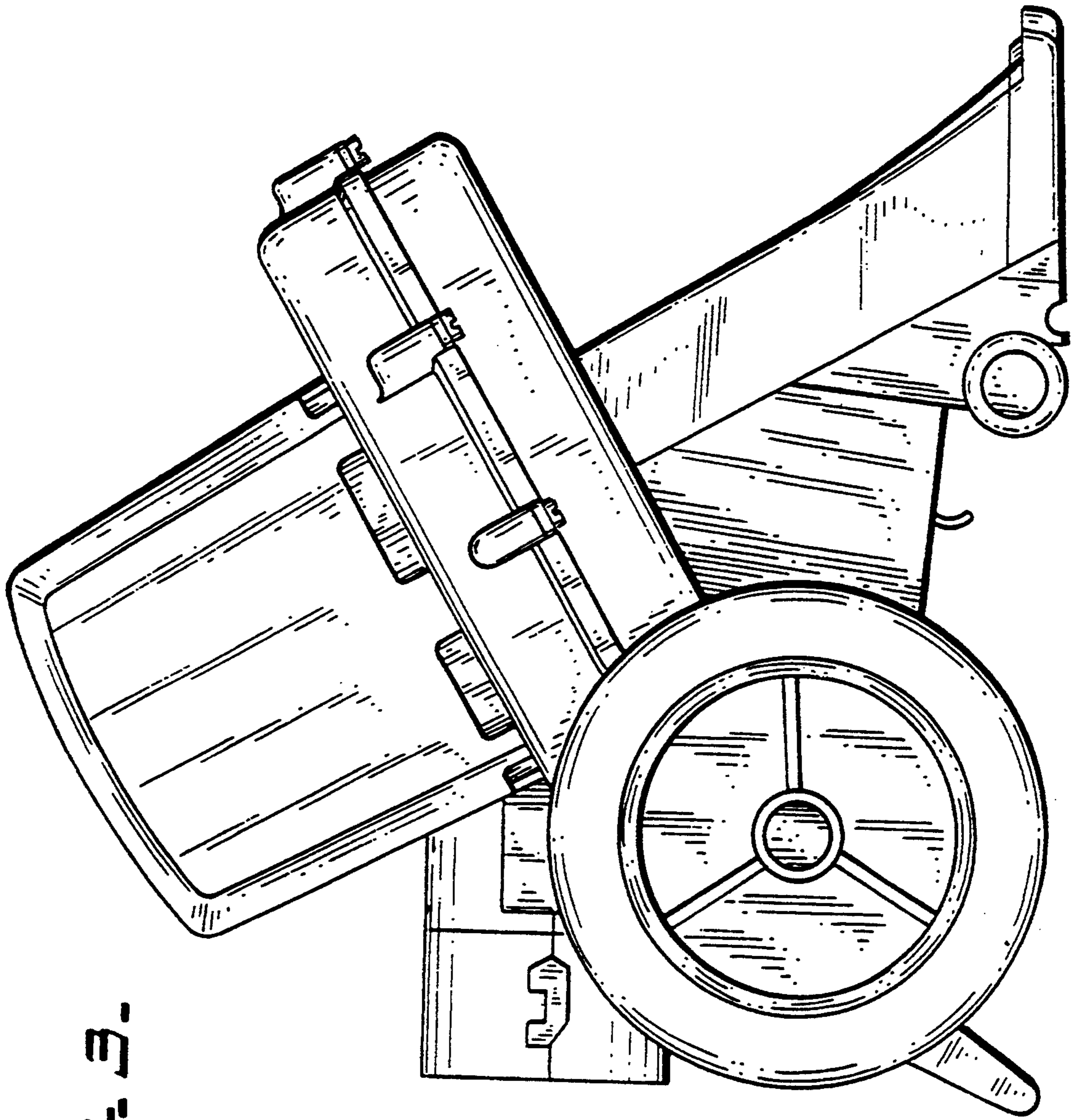


Fig. 3.

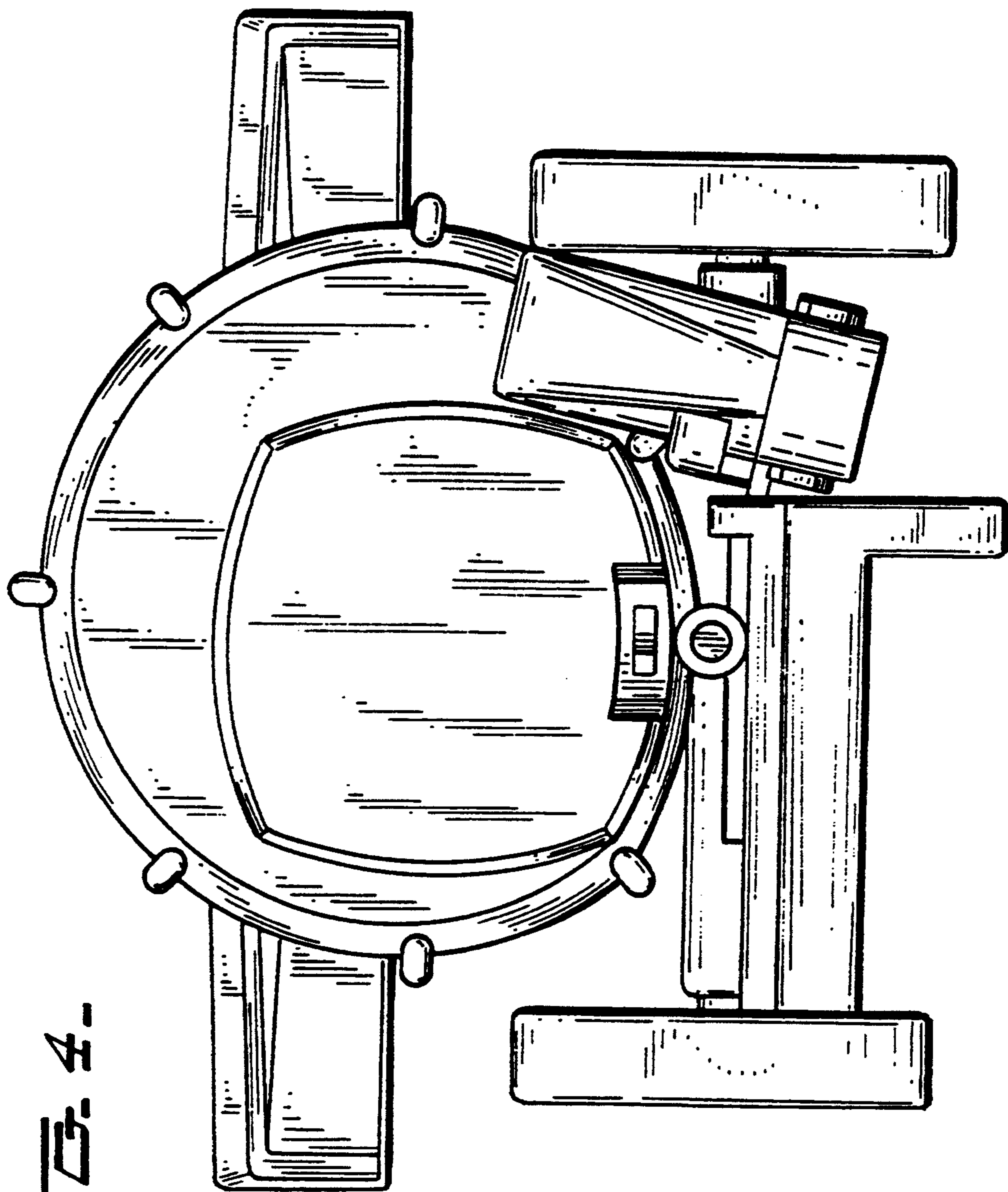


FIG. 4.

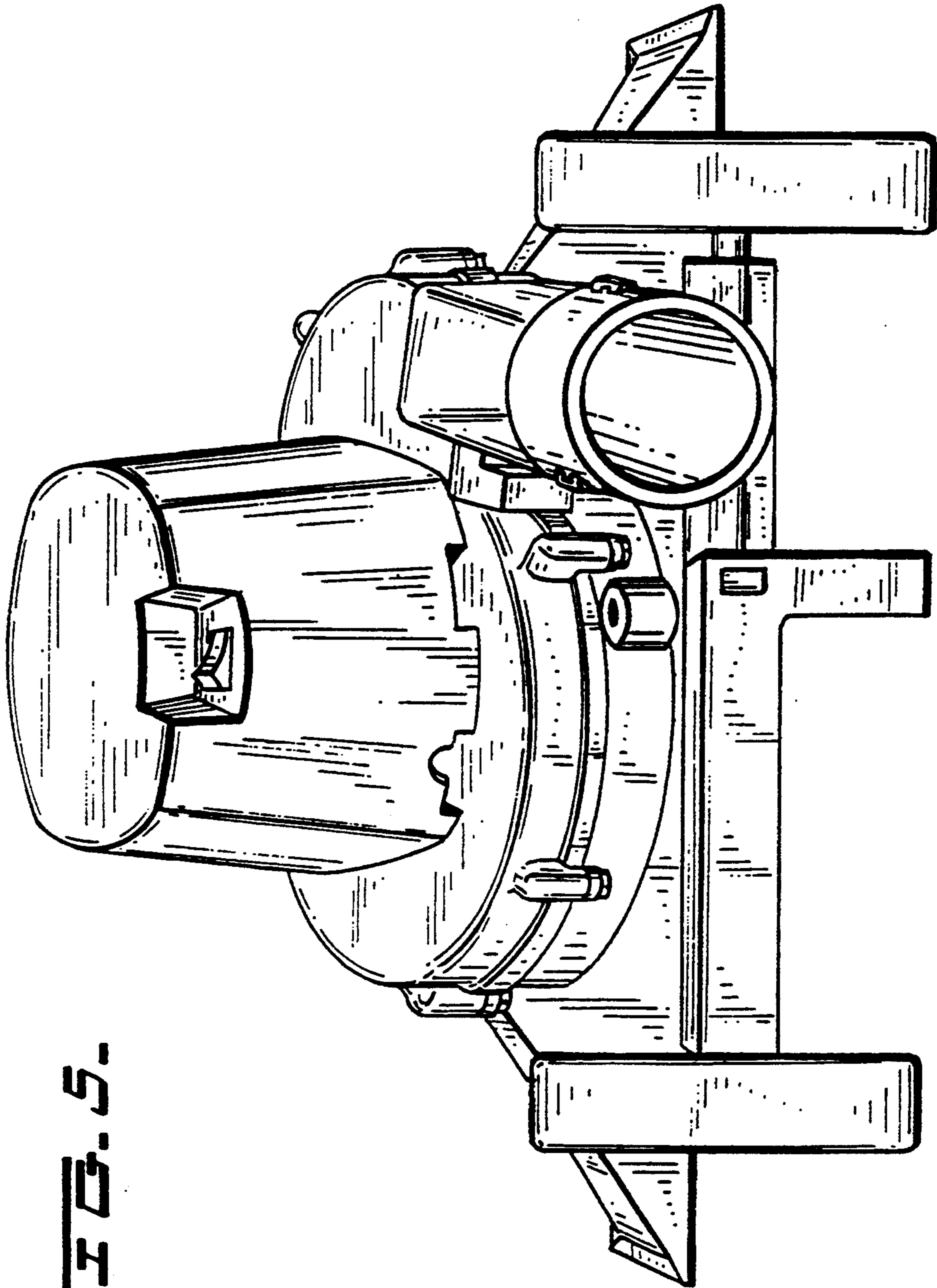


FIG. 5.

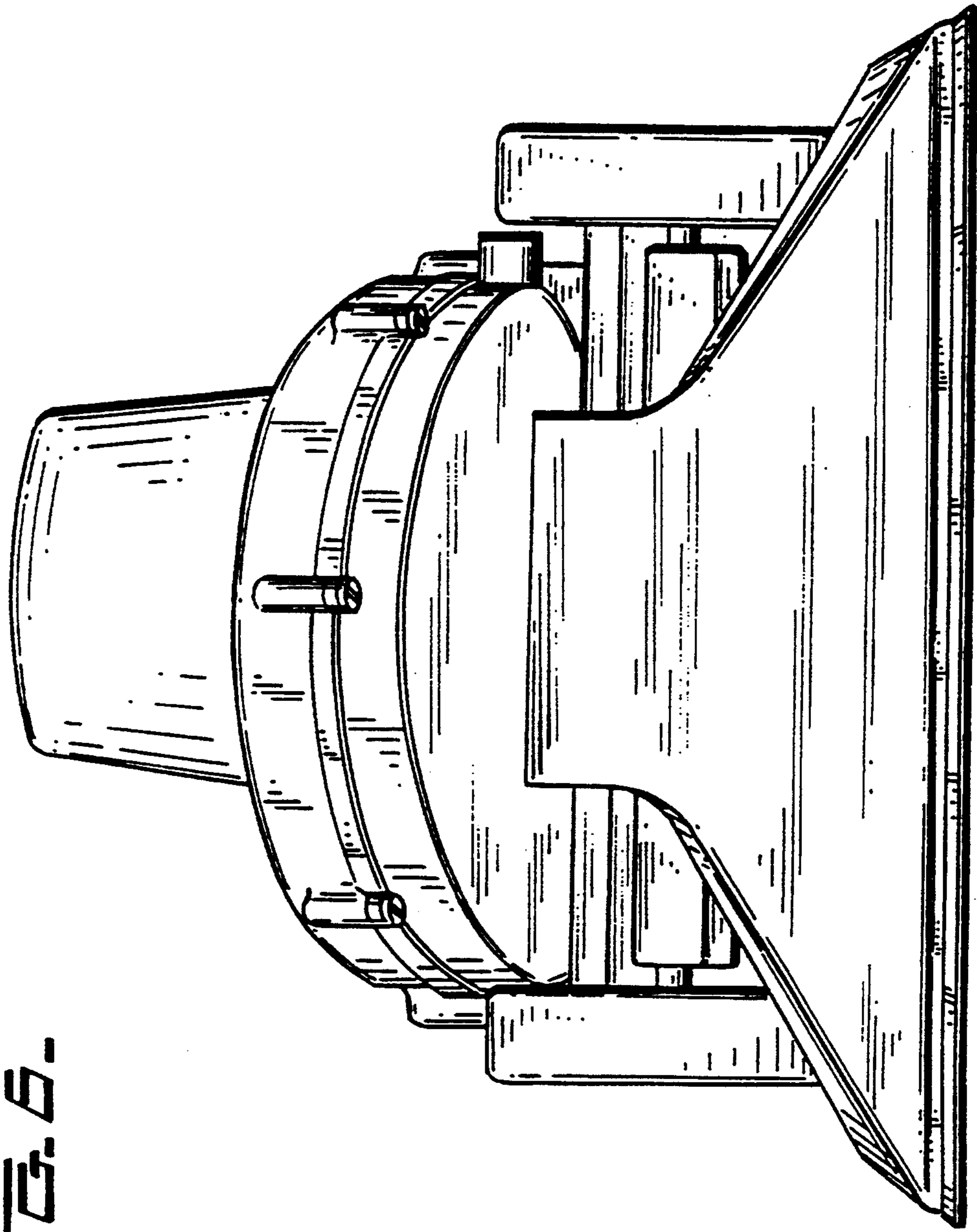


FIG. 6.

FIG. 7

