



US00D349789S

United States Patent [19]

[11] Patent Number: **Des. 349,789**

Bunyea

[45] Date of Patent: **** Aug. 16, 1994**

[54] **HOUSING FOR POLISHER**

D. 313,094 12/1990 Itaya et al. D32/19

[75] Inventor: **Roderick F. Bunyea**, Westminster, Md.

Primary Examiner—Ruth McInroy
Attorney, Agent, or Firm—Dennis A. Dearing; John D. Del Ponti; Charles E. Yocum

[73] Assignee: **Black & Decker Inc.**, Newark, Del.

[**] Term: **14 Years**

[57] **CLAIM**

[21] Appl. No.: **1,846**

The ornamental design for a housing for polisher, as shown and described.

[22] Filed: **Nov. 24, 1992**

DESCRIPTION

[52] U.S. Cl. **D32/19; D8/62**

[58] **Field of Search** D8/62; D4/100, 102, D4/137; 15/97.1, 97.3, 28, 49.1, 50.1, 52, 53.1, 53.2, 98; 51/170 R, 176, 177, 170 MT; D32/1, 15-17, 19-20, 25

FIG. 1 is a front perspective view of a housing for polisher showing my new design, the polisher pad is shown in broken lines for illustrative purposes only and forms no part of the claimed design; FIG. 2 is a top plan view thereof; FIG. 3 is a front plan view thereof; FIG. 4 is a rear plan view thereof; FIG. 5 is a right side elevational view thereof; and, FIG. 6 is a left side elevational view thereof.

[56] **References Cited**

U.S. PATENT DOCUMENTS

- D. 270,515 9/1983 Dunlap D8/62
- D. 273,079 3/1984 Ibaraki D8/62
- D. 295,253 4/1988 Ashworth D32/19
- D. 312,714 12/1990 Simonelli et al. D32/19

The undisclosed bottom is unornamented. The electric cord shown in FIGS. 1, 3-6 is understood to represent indeterminate length.

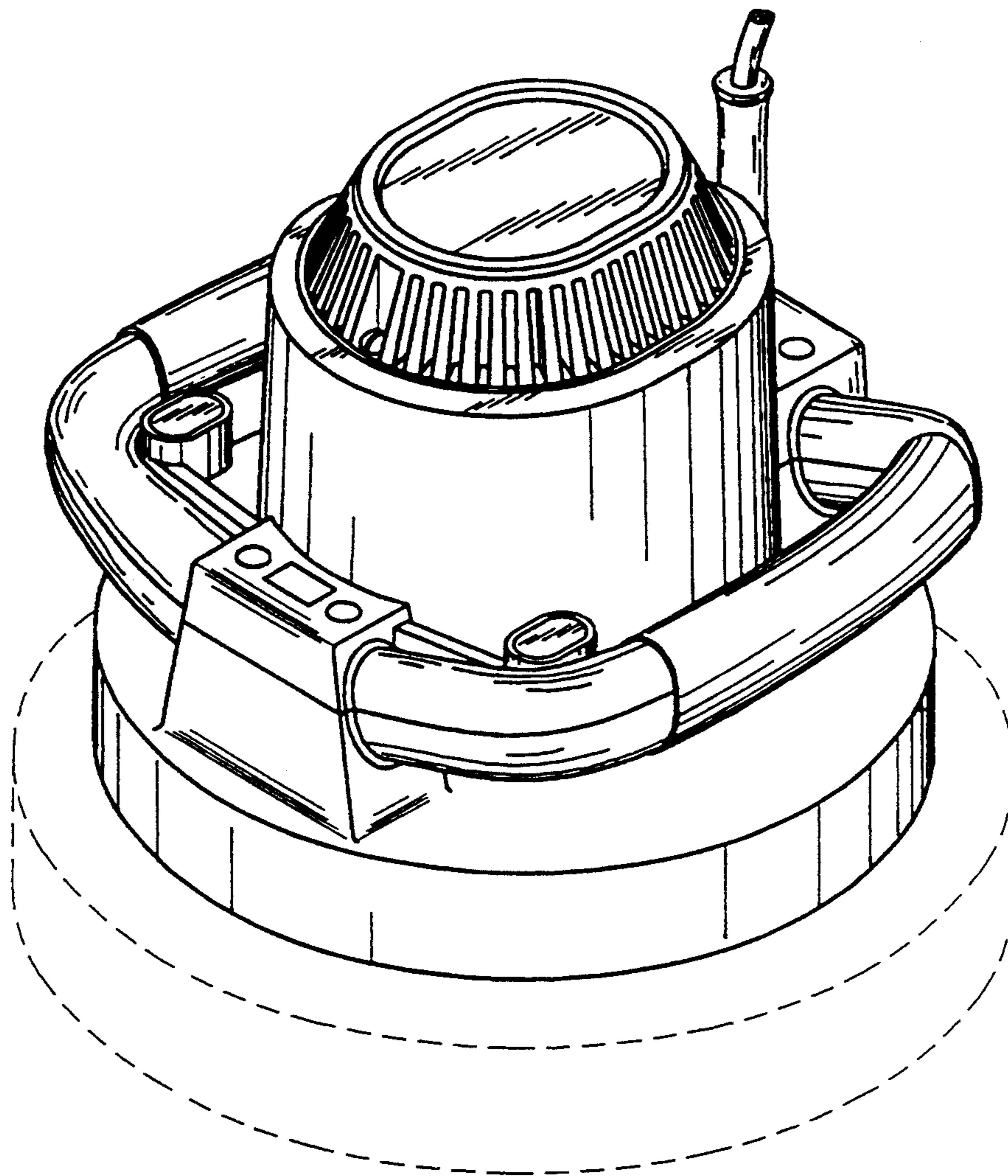


FIG. 1

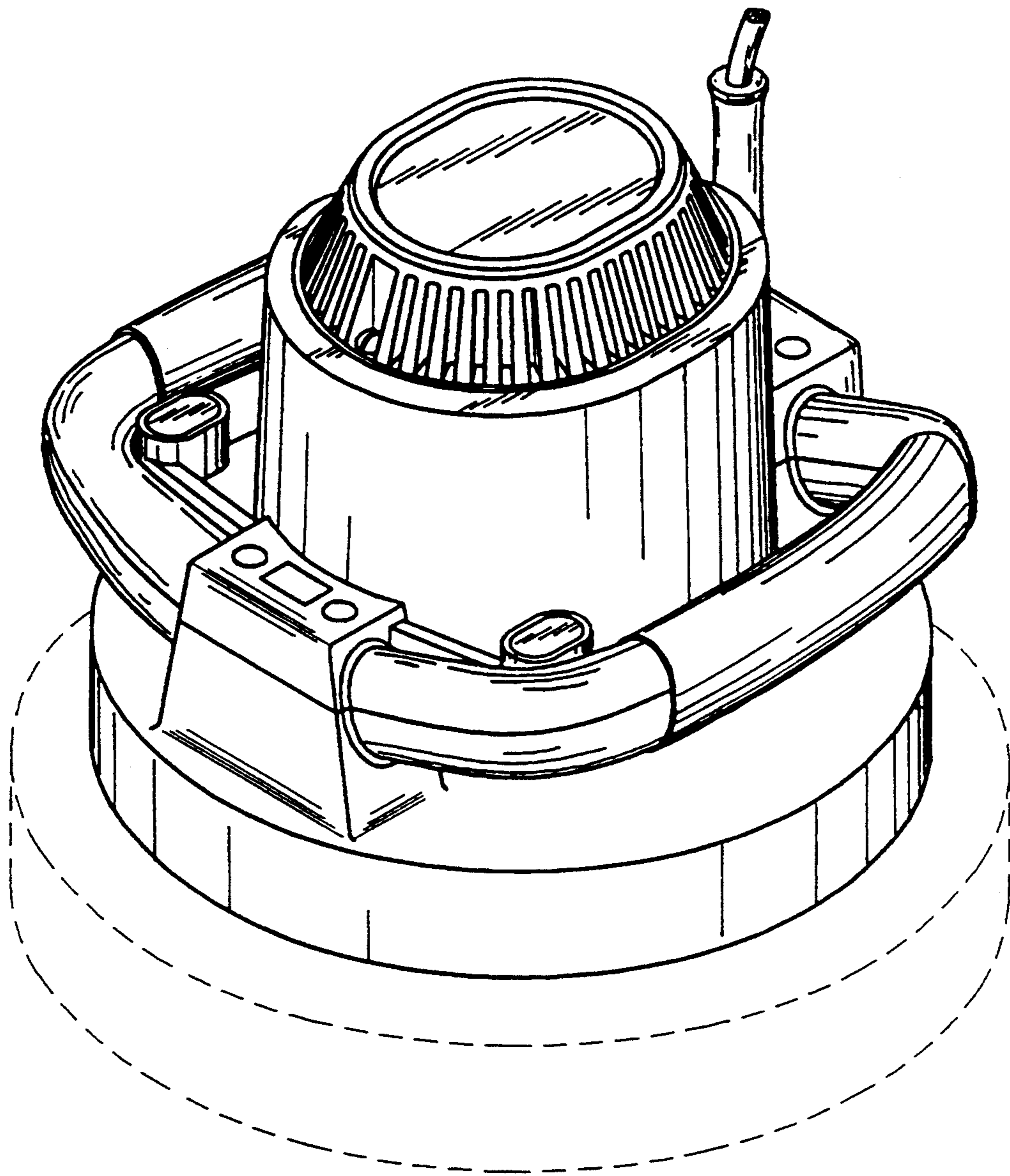


FIG. 2

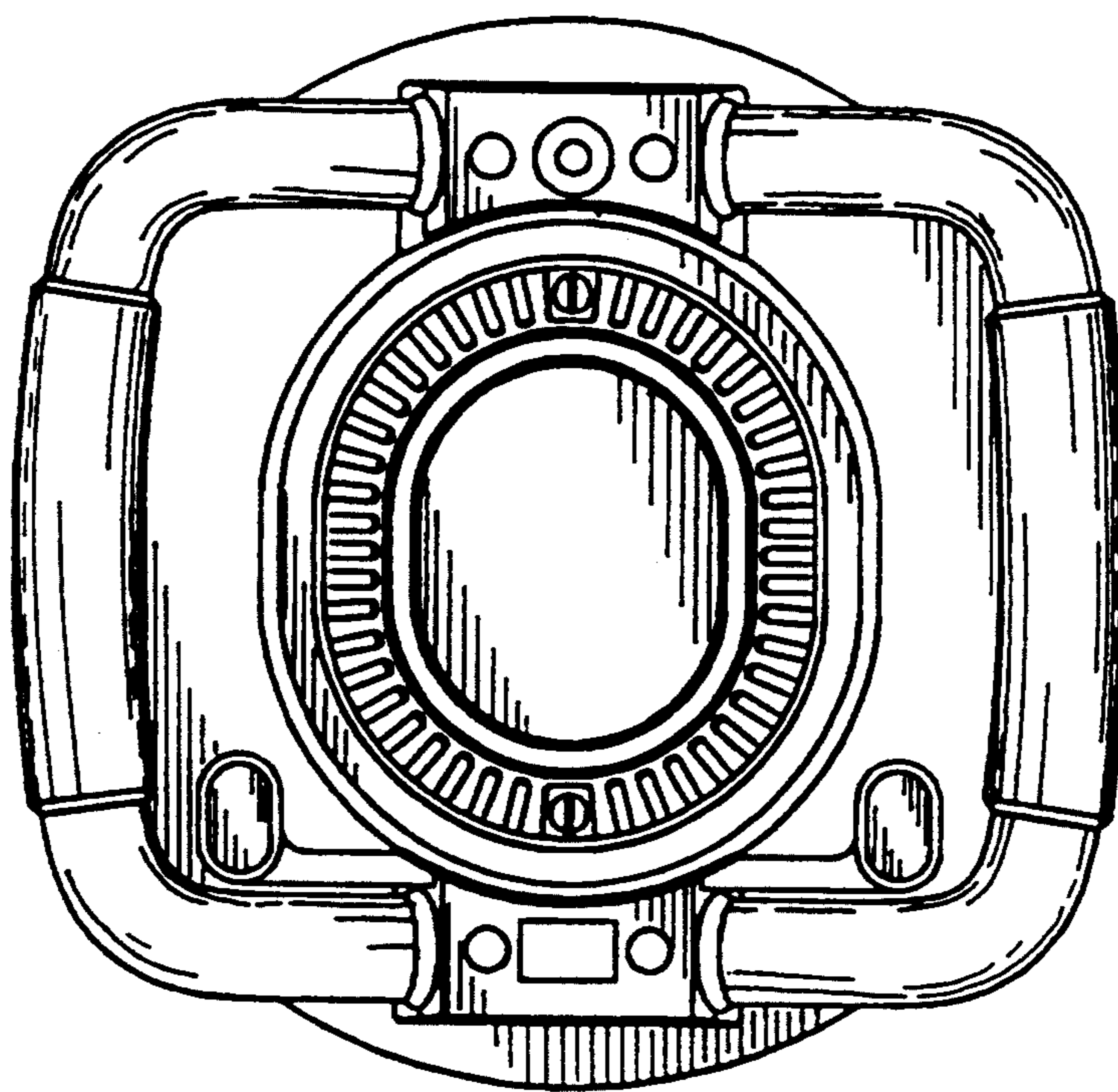


FIG. 3

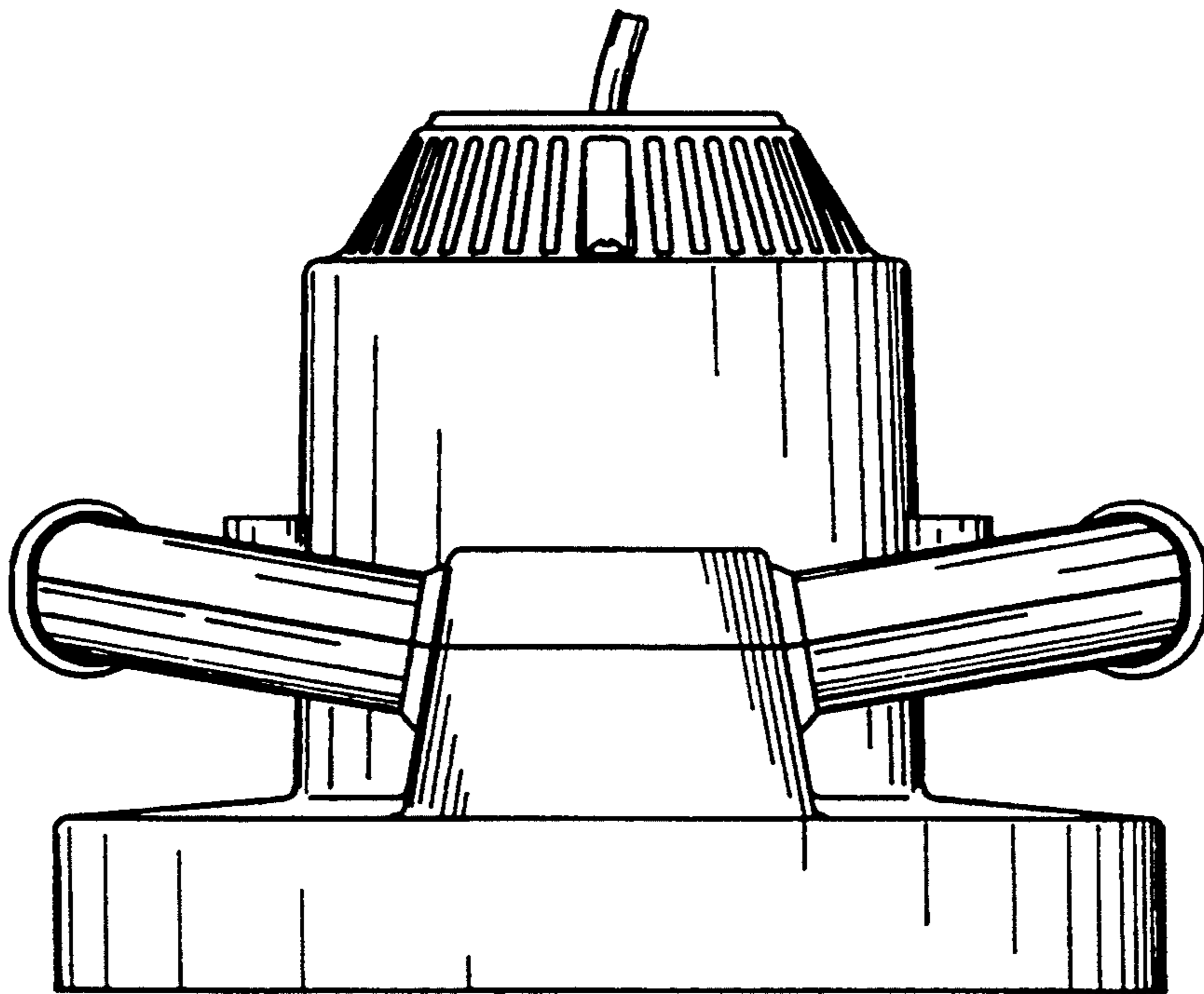


FIG. 4

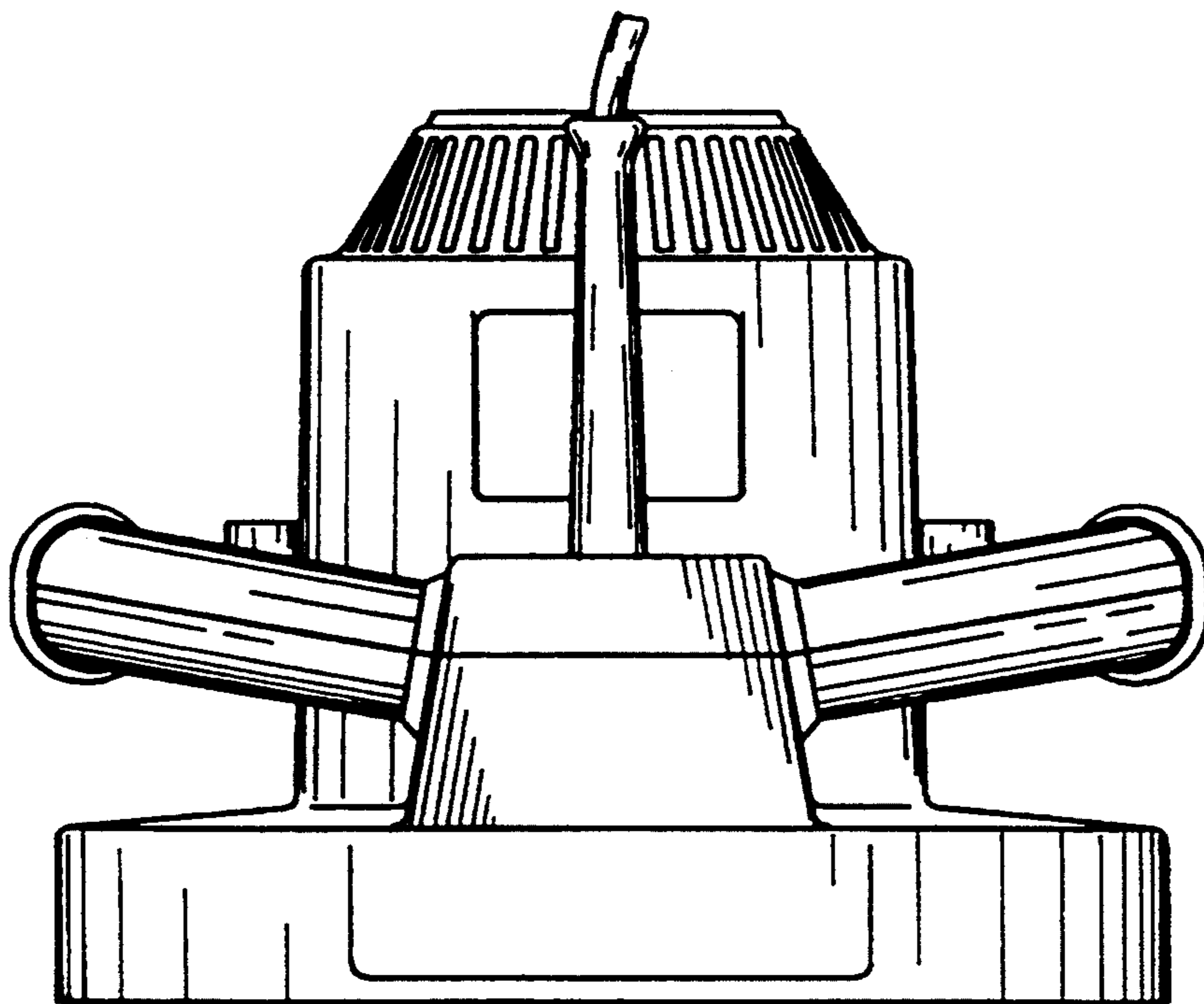


FIG. 5

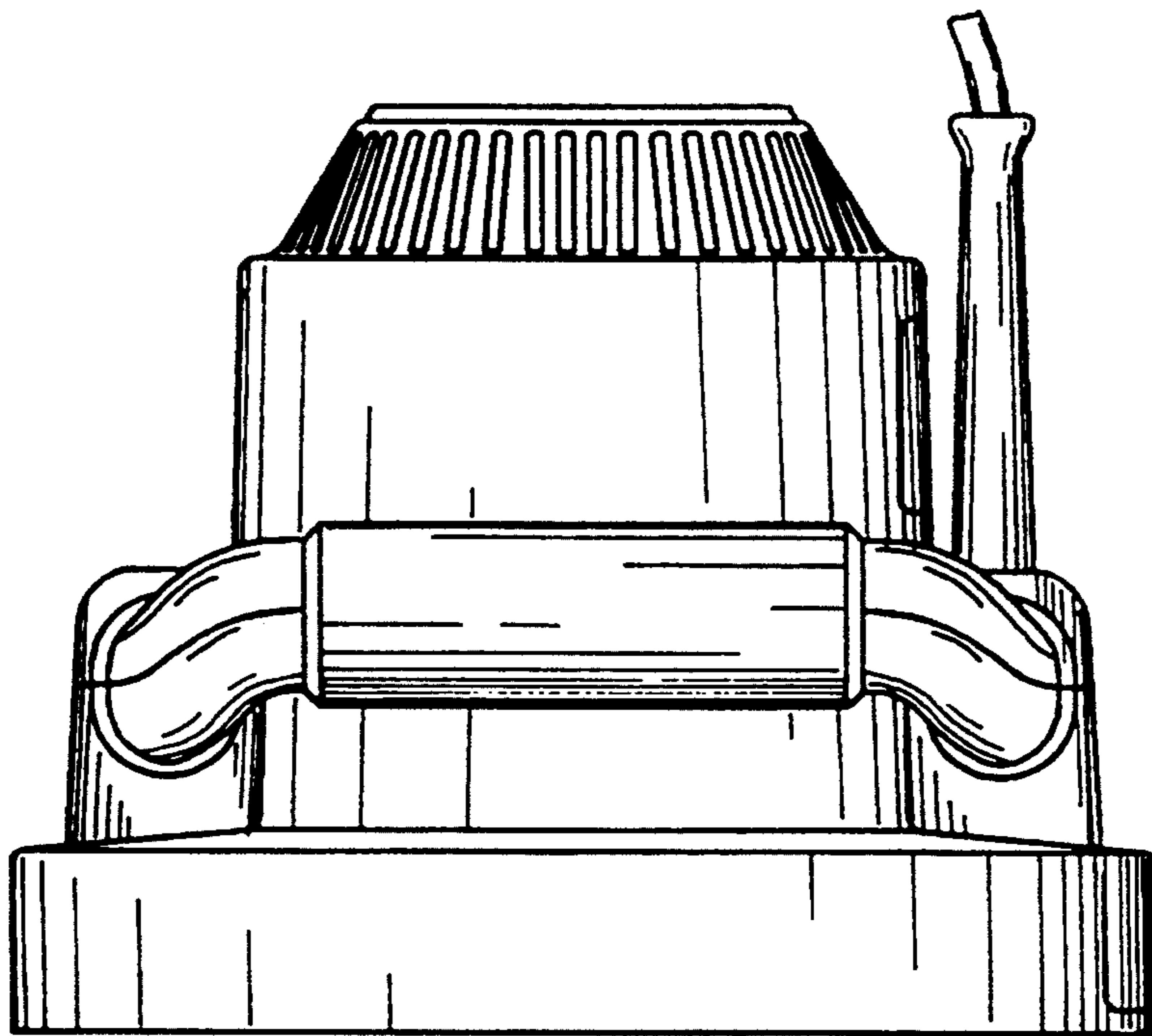


FIG. 6

