



US00D349788S

United States Patent [19]

Laferrière et al.

[11] Patent Number: **Des. 349,788**

[45] Date of Patent: **** Aug. 16, 1994**

[54] FOOTWEAR DRYER

[76] Inventors: **Colette Laferrière, 664-B, Des Martinets, St-Lambert de Lévis Québec, Canada, G0S 2W0; Lise Laferrière, 199, Rang 4, St-Georges-de-Windsor Québec, Canada, J0A 1J0**

[**] Term: **14 Years**

[21] Appl. No.: **89**

[22] Filed: **Oct. 2, 1992**

[30] Foreign Application Priority Data

Apr. 3, 1992 [CA] Canada 03-04-92-8
[52] U.S. Cl. D32/1; D32/59
[58] Field of Search 34/103-106, 34/239, 202; 36/2.6; D32/1, 14.1, 8, 58-59

[56] References Cited

U.S. PATENT DOCUMENTS

D. 193,805	10/1962	Jennings	D32/59
D. 195,137	4/1963	Jennings	D32/59
D. 213,129	1/1969	Schenck	D32/8
D. 310,742	9/1990	Johnson	D32/58
D. 327,963	7/1992	Westlake	D32/8

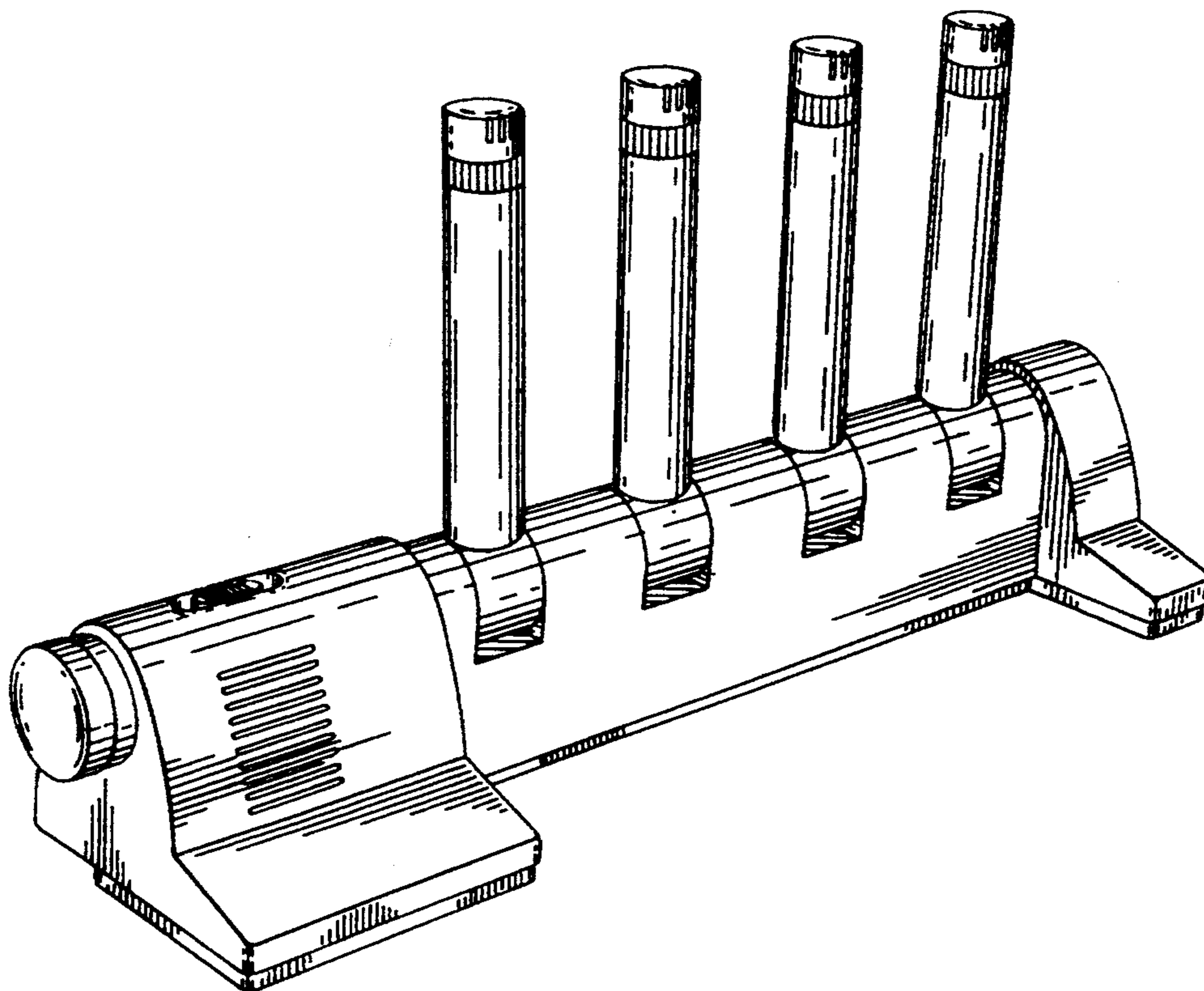
Primary Examiner—Ruth McInroy

[57] CLAIM

The ornamental design for a footwear dryer, as shown and described.

DESCRIPTION

FIG. 1 is a perspective view of a footwear dryer showing our new design;
FIG. 2 is a top plan view thereof;
FIG. 3 is a front elevational view thereof;
FIG. 4 is a rear elevational view thereof;
FIG. 5 is a left side elevational view thereof; and,
FIG. 6 is a right side elevational view thereof.
The undislosed bottom is flat and unornamented.



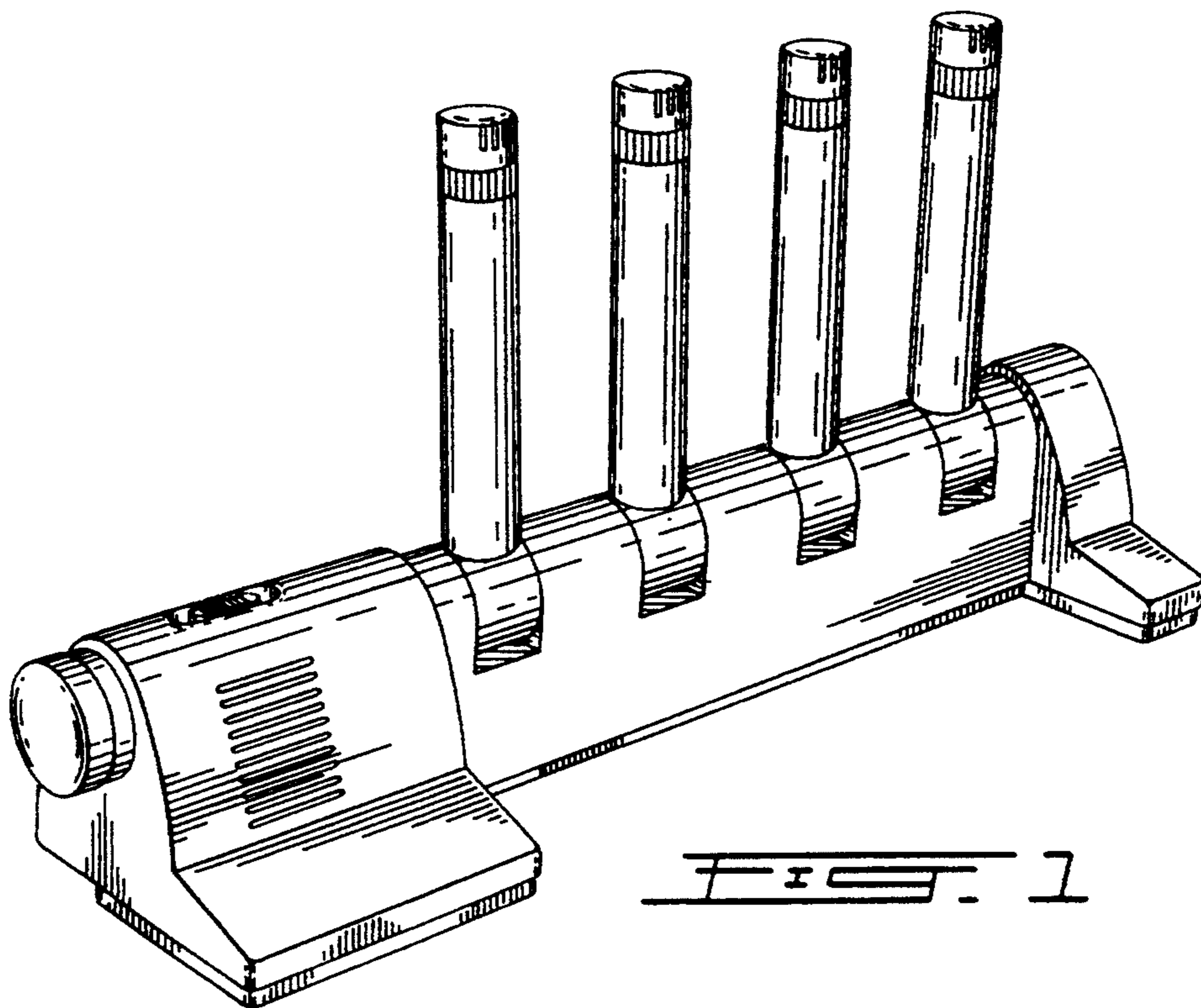


FIG. 1

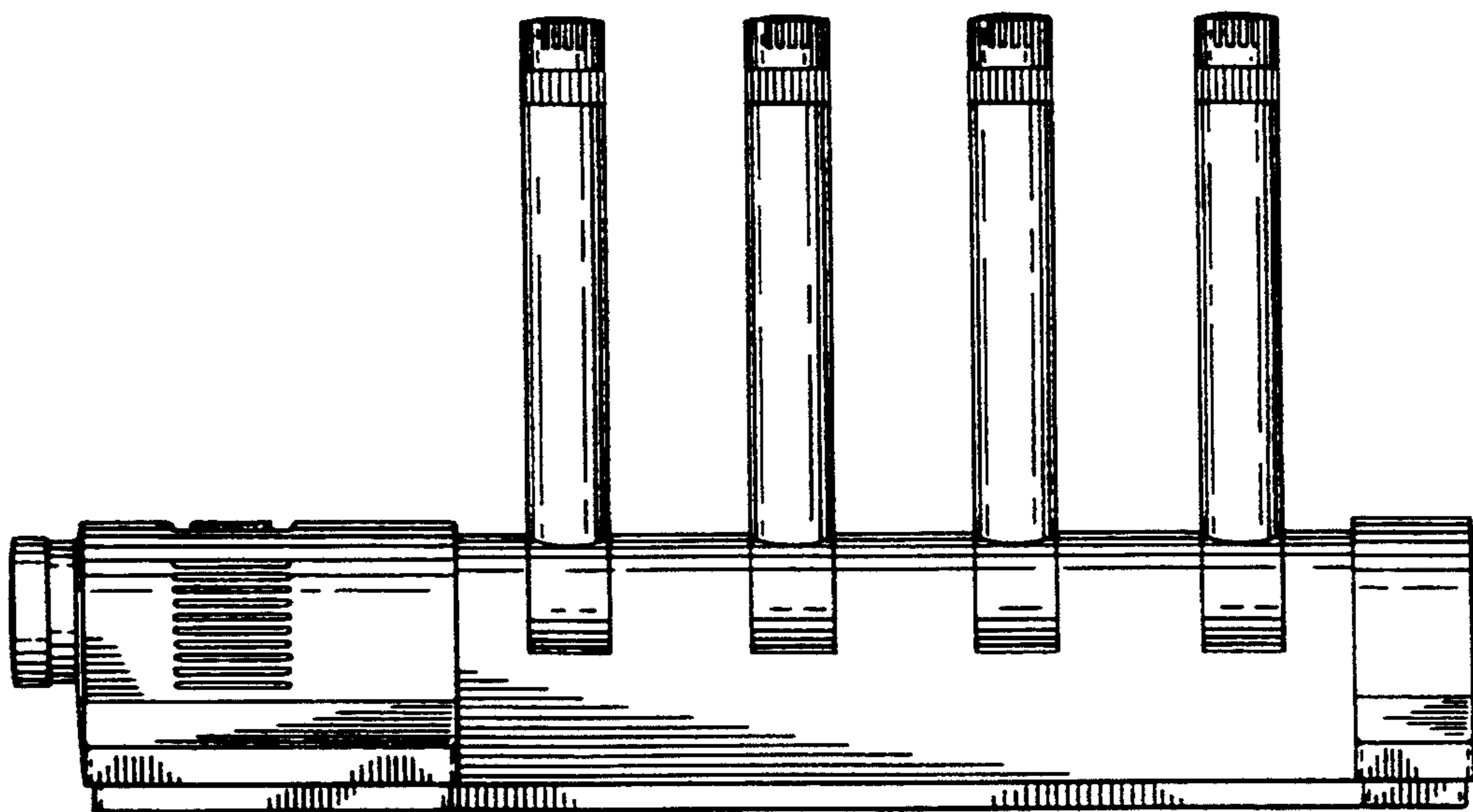


FIG. 3

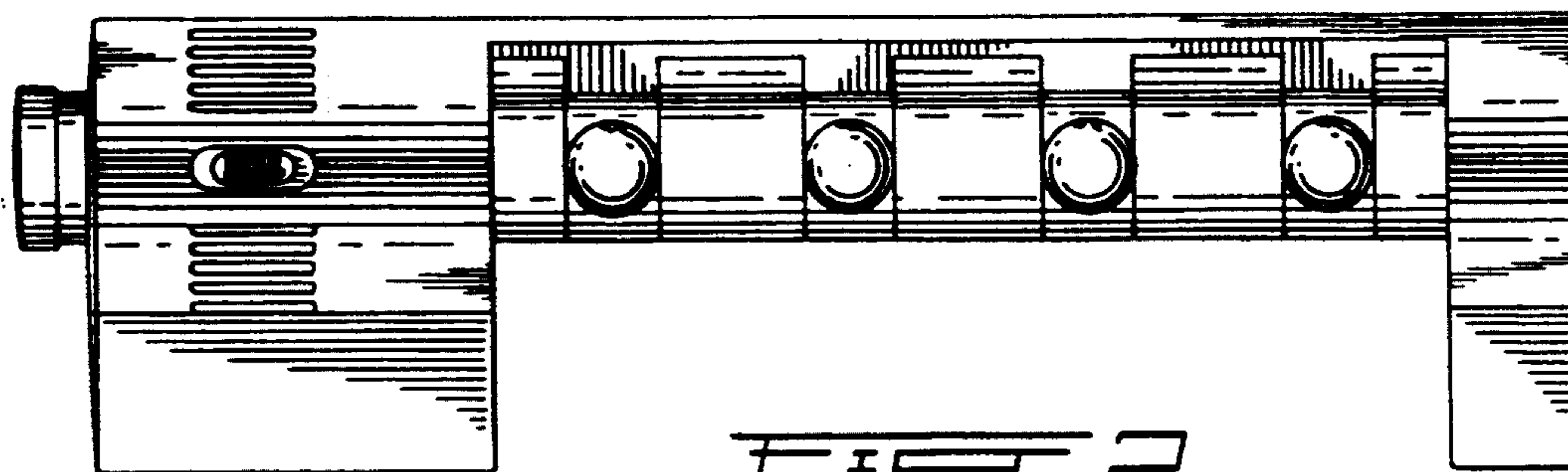


FIG. 2

