



US00D349784S

United States Patent [19]

[11] Patent Number: **Des. 349,784**

Burns et al.

[45] Date of Patent: **** Aug. 16, 1994**

[54] **COMBINED WOOD DUCK BOX AND NEST BOWL**

2182535 5/1987 United Kingdom 119/23
2240910 8/1991 United Kingdom 119/23

[75] Inventors: **Jeffrey T. Burns**, Minneapolis;
Roman A. Kramer, Bloomington,
both of Minn.

OTHER PUBLICATIONS

“Creative Art Crafts” Lemos, Book 2; ©1945; p. 19
Roosting Shelters.

[73] Assignee: **RFG Outdoors**, Robbinsdale, Minn.

Primary Examiner—Cathy Anne MacCormac
Attorney, Agent, or Firm—Burd, Bartz & Gutenkauf

[**] Term: **14 Years**

[21] Appl. No.: **910,003**

[57] CLAIM

The ornamental design for a combined wood duck box and nest bowl, as shown and described.

[22] Filed: **Jul. 7, 1992**

[52] U.S. Cl. **D30/110**

[58] Field of Search 119/23, 50.5, 52.2,
119/52.3; 43/2, 3; D30/110-111

DESCRIPTION

[56] References Cited

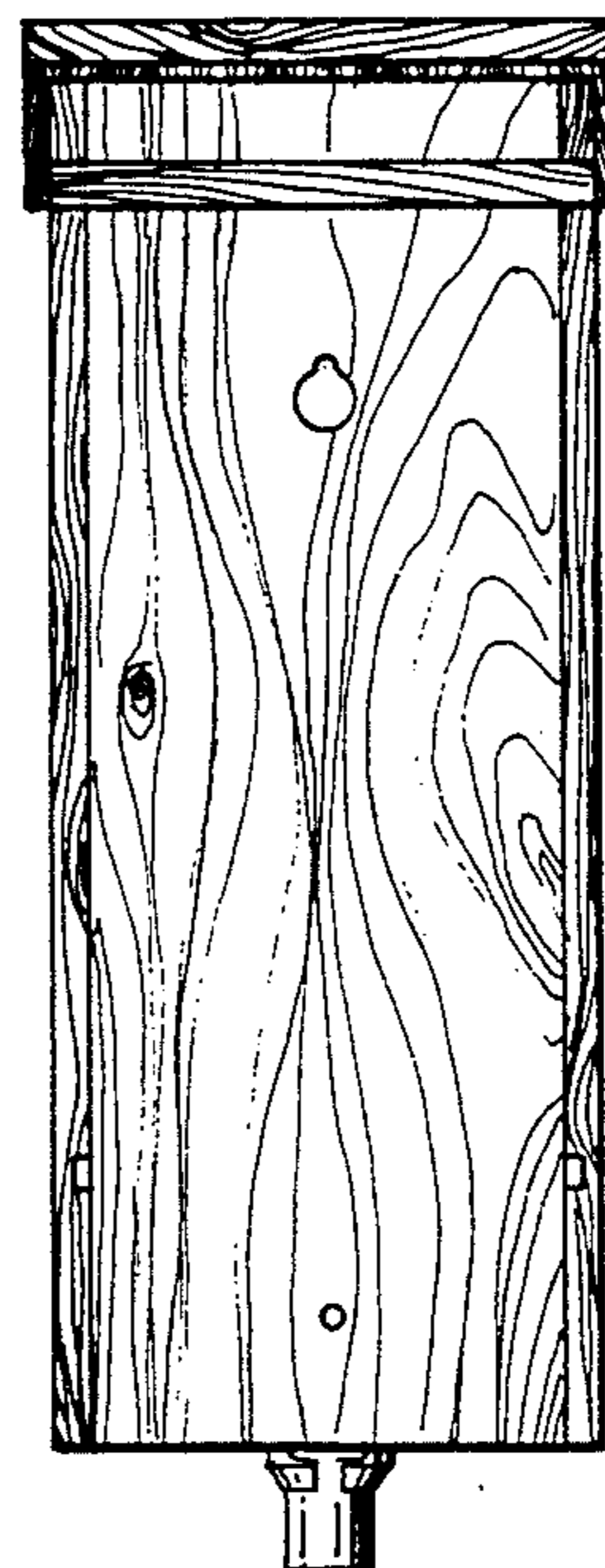
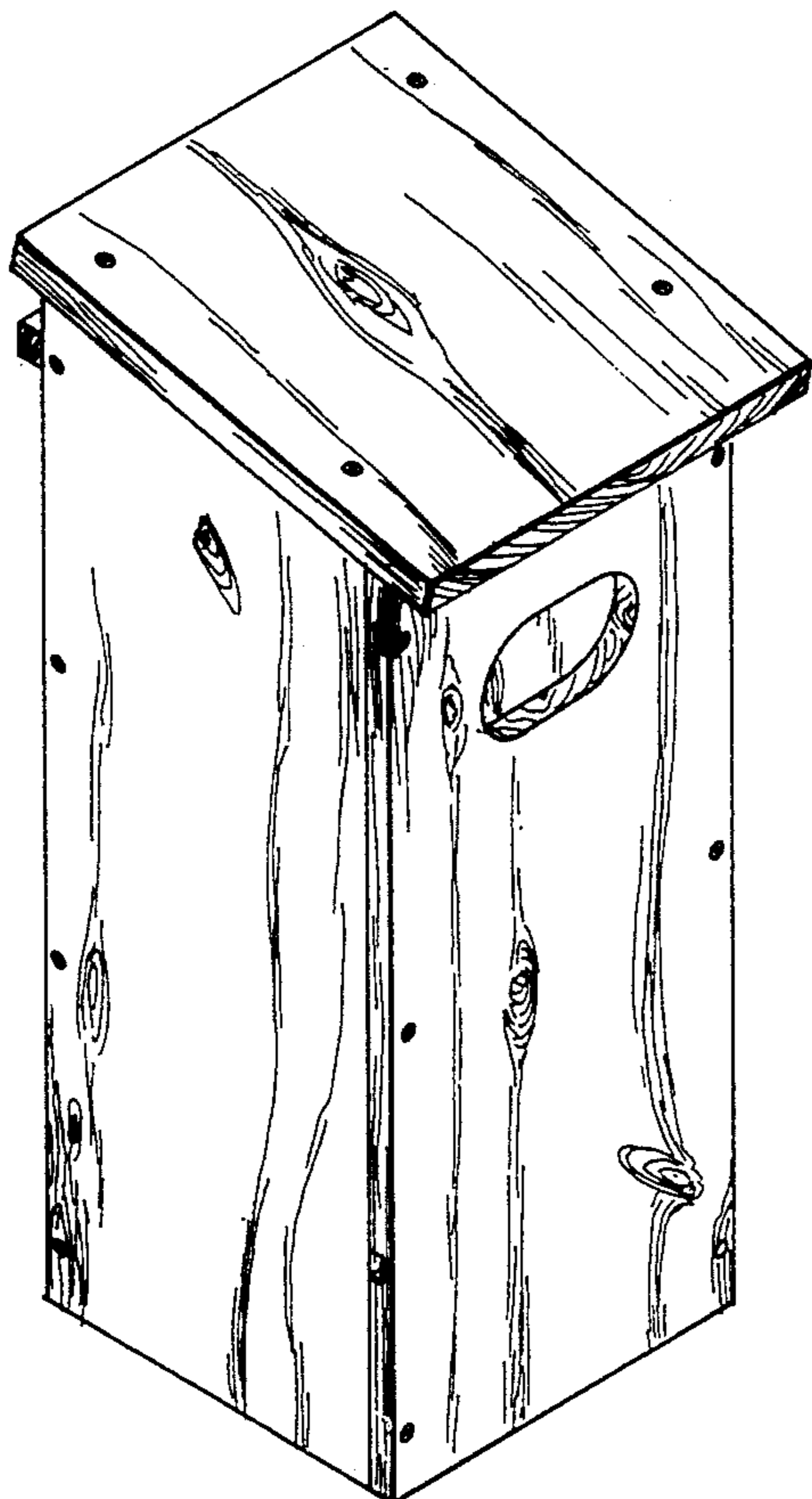
U.S. PATENT DOCUMENTS

D. 291,257 8/1987 Thoeny et al. D30/110
1,170,817 2/1916 Jacobus 119/50.5
4,442,793 4/1984 Overpeck et al. 119/23

FOREIGN PATENT DOCUMENTS

1210238 2/1966 Fed. Rep. of Germany 119/23
3833629 2/1989 Fed. Rep. of Germany 119/23
739790 1/1933 France 119/50.5
105311 8/1942 Sweden 119/23
73991 12/1916 Switzerland 119/23
97576 3/1923 Switzerland 119/23
133049 7/1921 United Kingdom 119/23
355375 8/1931 United Kingdom 119/50.5

FIG. 1 is a perspective view of the combined wood duck box and nest bowl showing our new design; FIG. 2 is a front elevational view thereof; FIG. 3 is a side elevational view thereof, the opposite side being a mirror image thereof; FIG. 4 is a top plan view thereof; FIG. 5 is a bottom plan view thereof; FIG. 6 is a rear elevational view thereof; FIG. 7 is a perspective view of the wood duck box nest bowl; FIG. 8 is a top plan view of FIG. 7; FIG. 9 is a bottom plan view of FIG. 7; FIG. 10 is a front elevational view of FIG. 7, the rear elevational view being a mirror image thereof; and, FIG. 11 is a side elevational view of FIG. 7, the opposite side being a mirror image thereof.



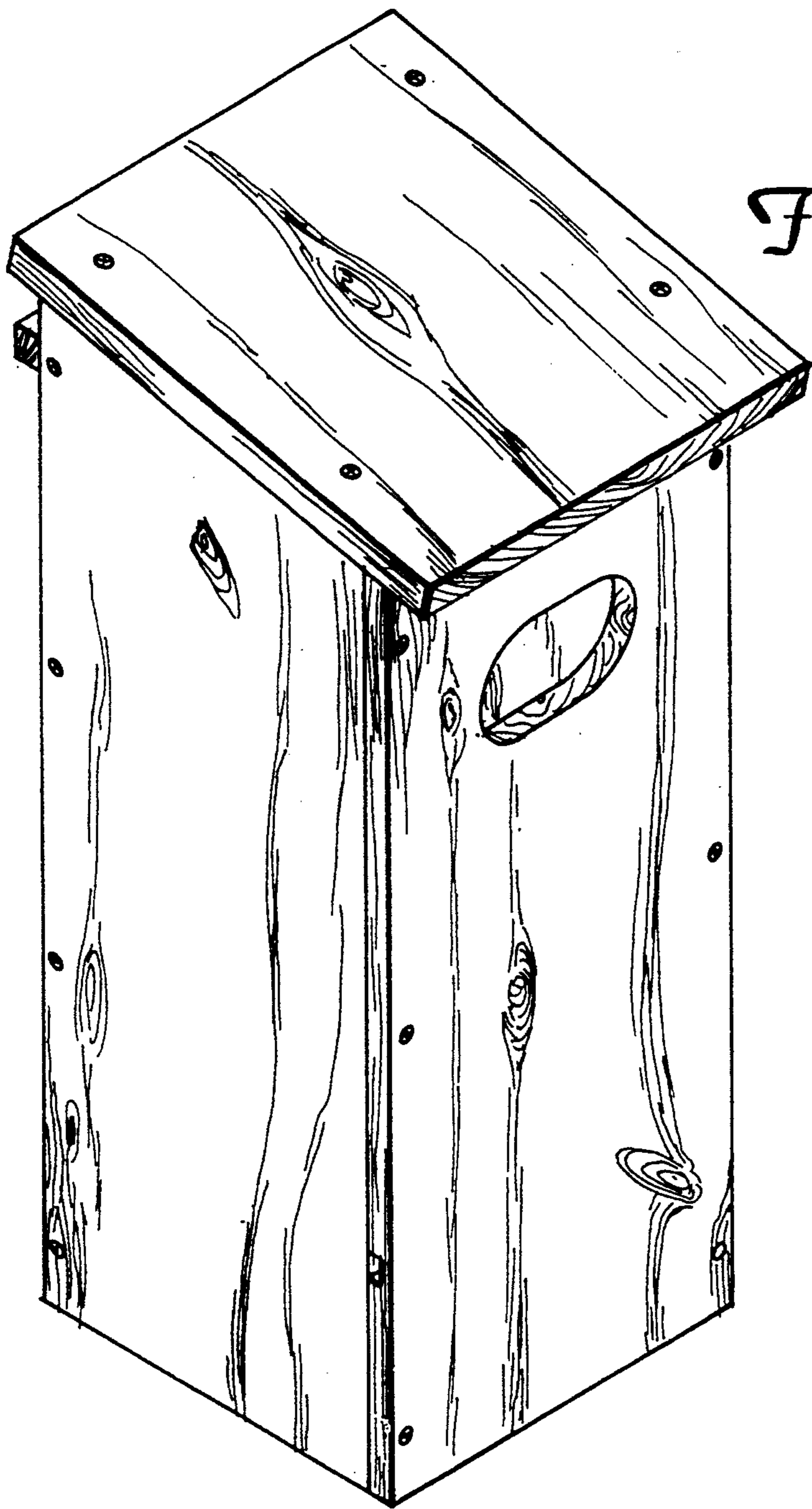


Fig. 1

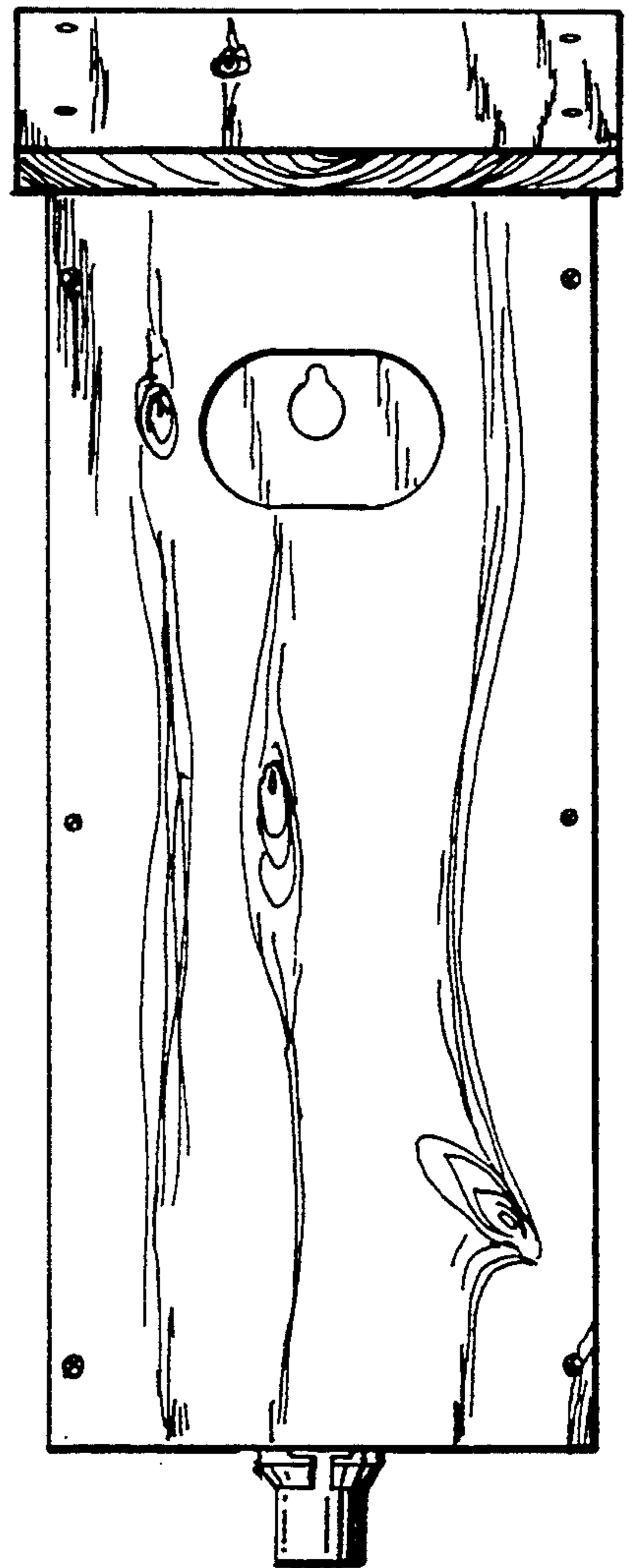


Fig. 2

Fig. 3

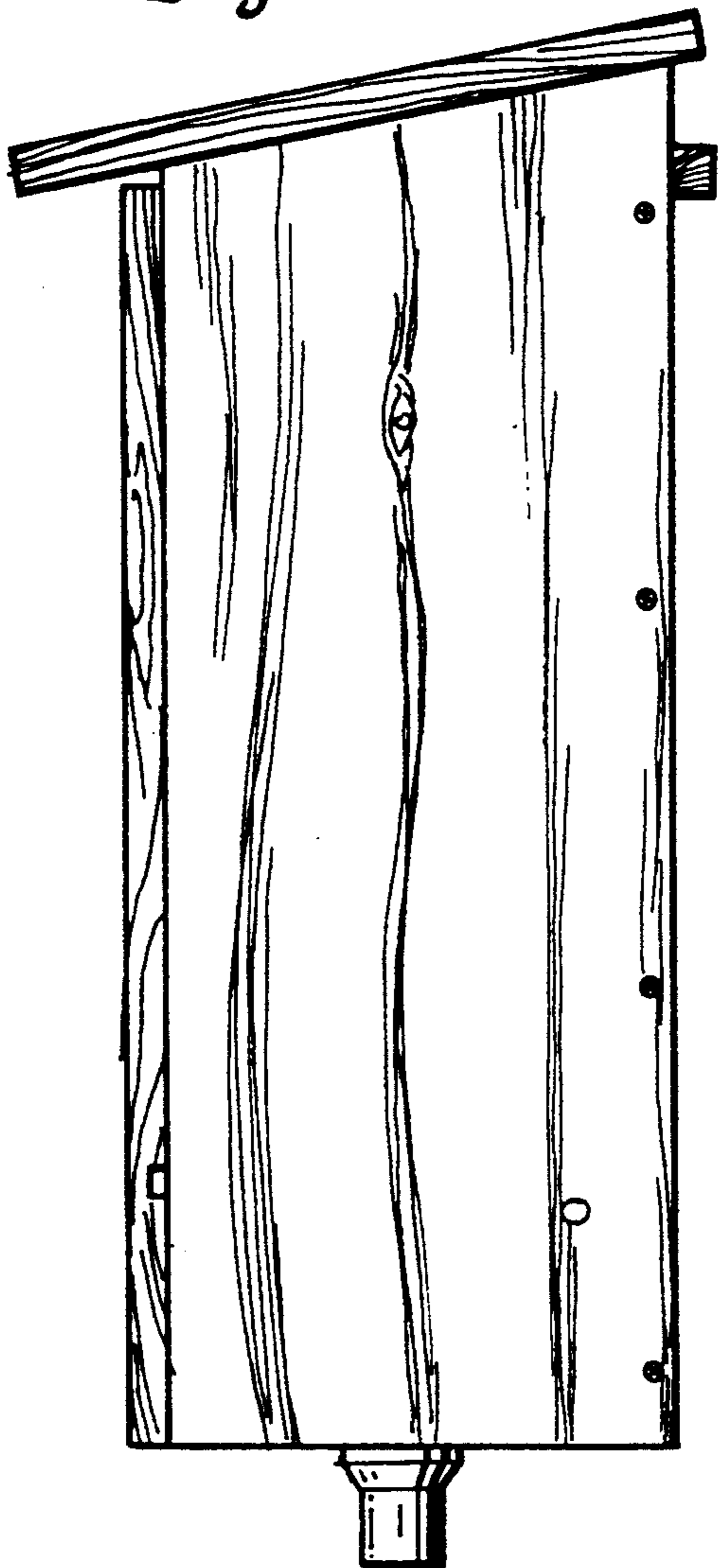


Fig. 4

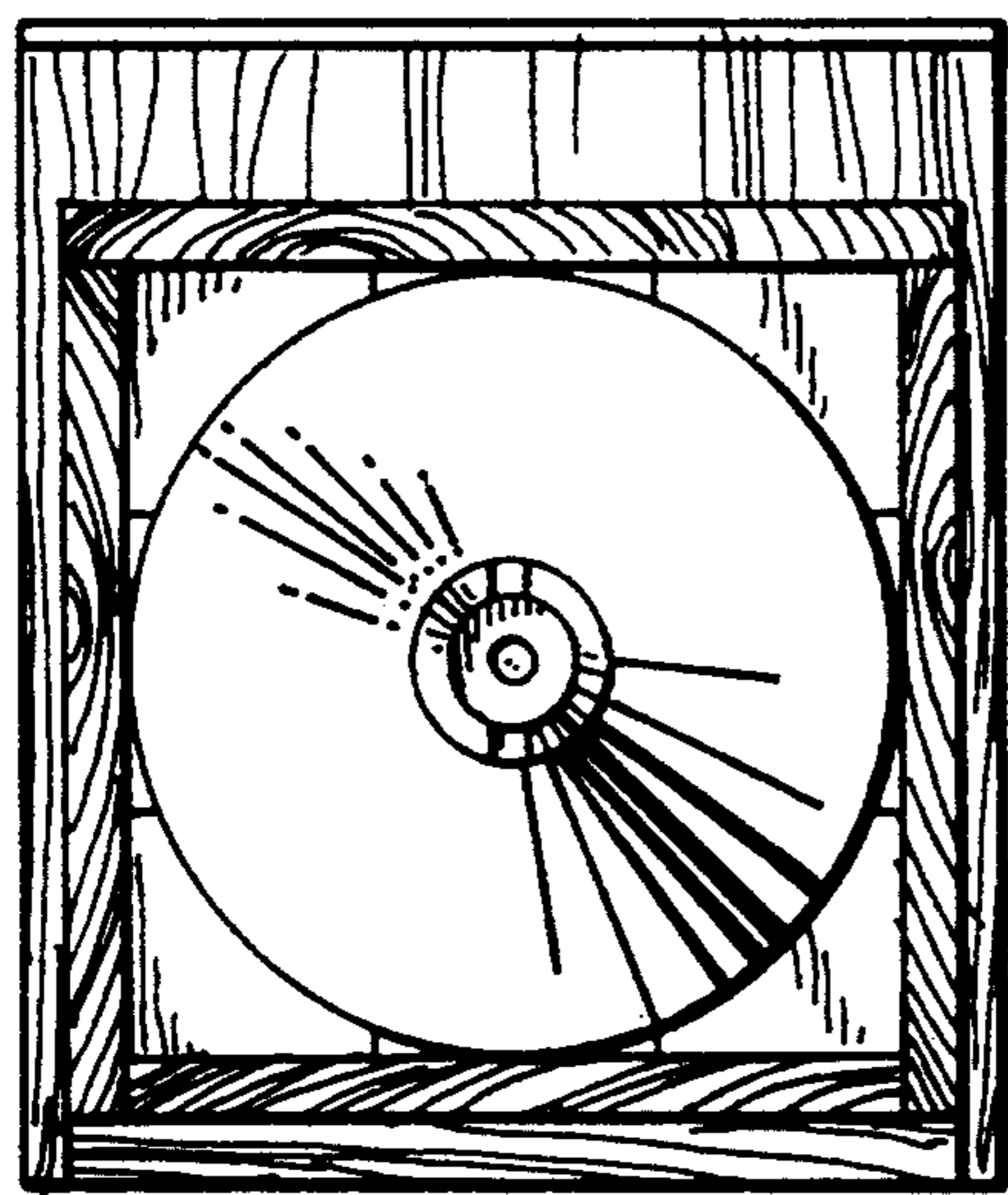
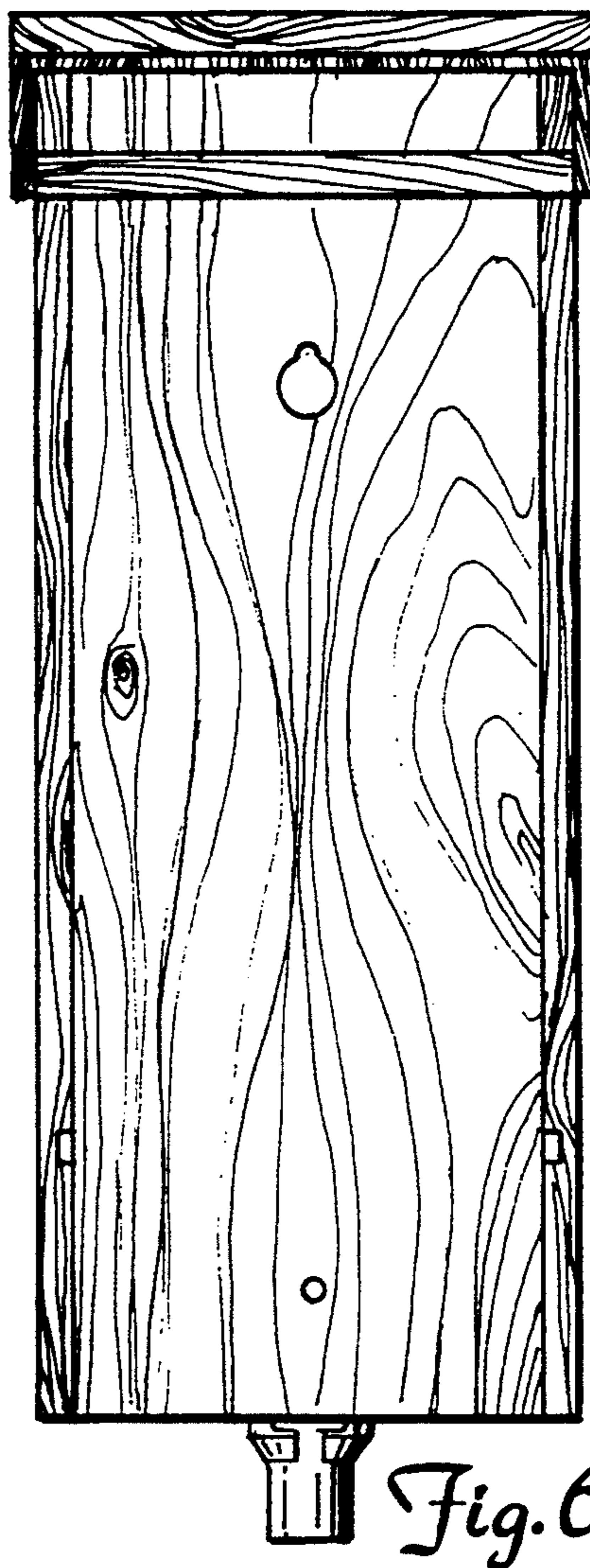
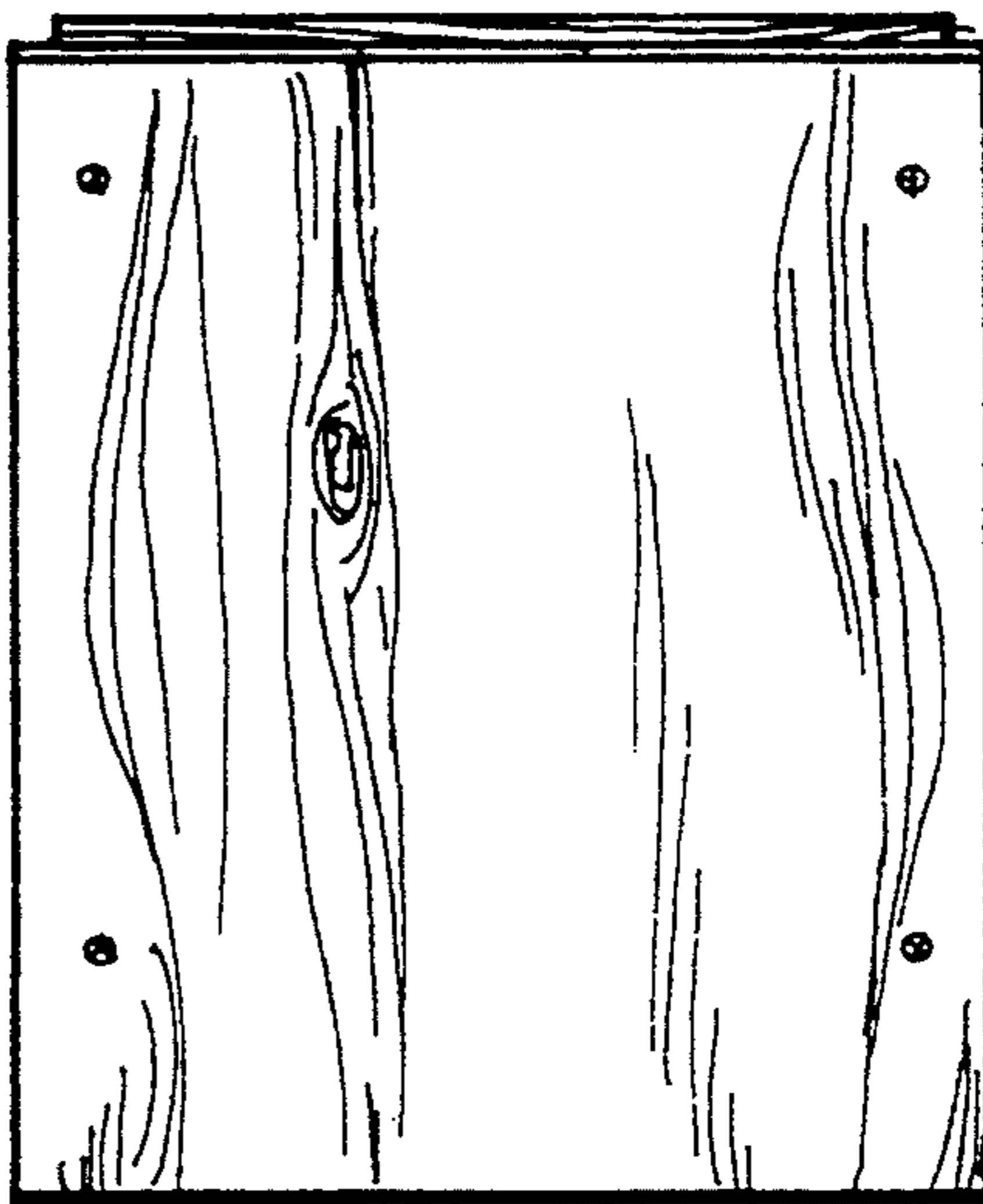


Fig. 5

Fig. 6

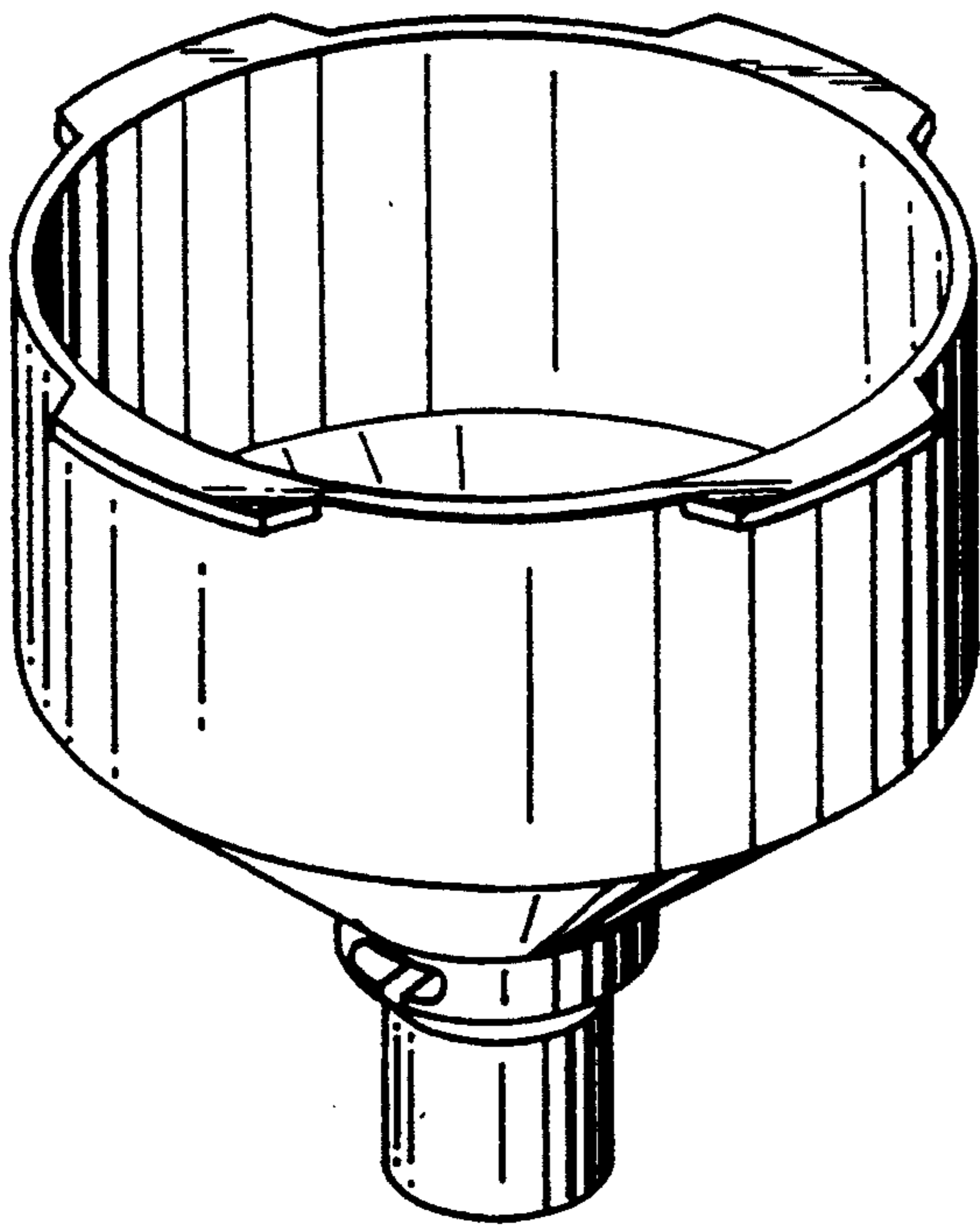


Fig. 7

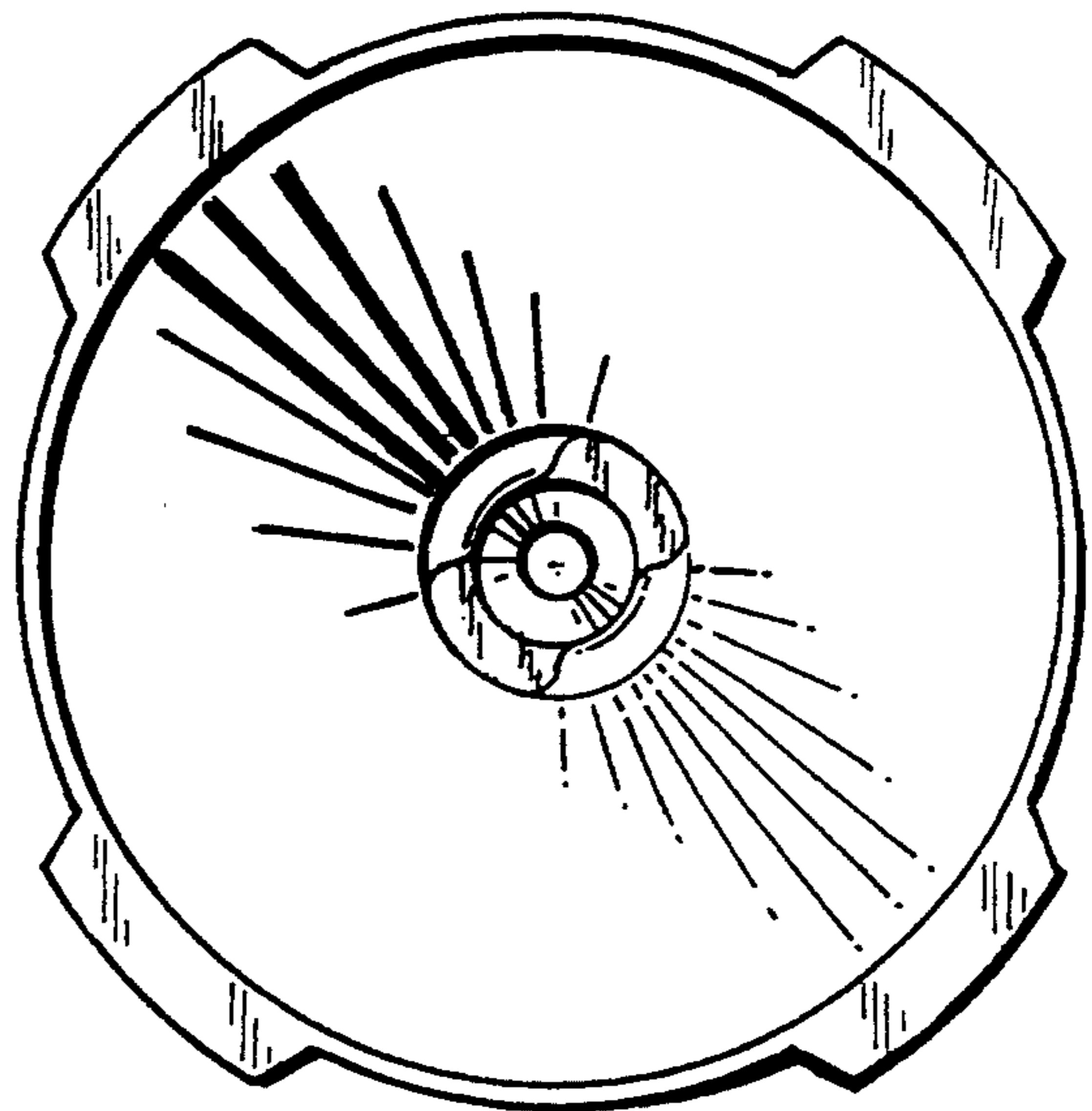


Fig. 8

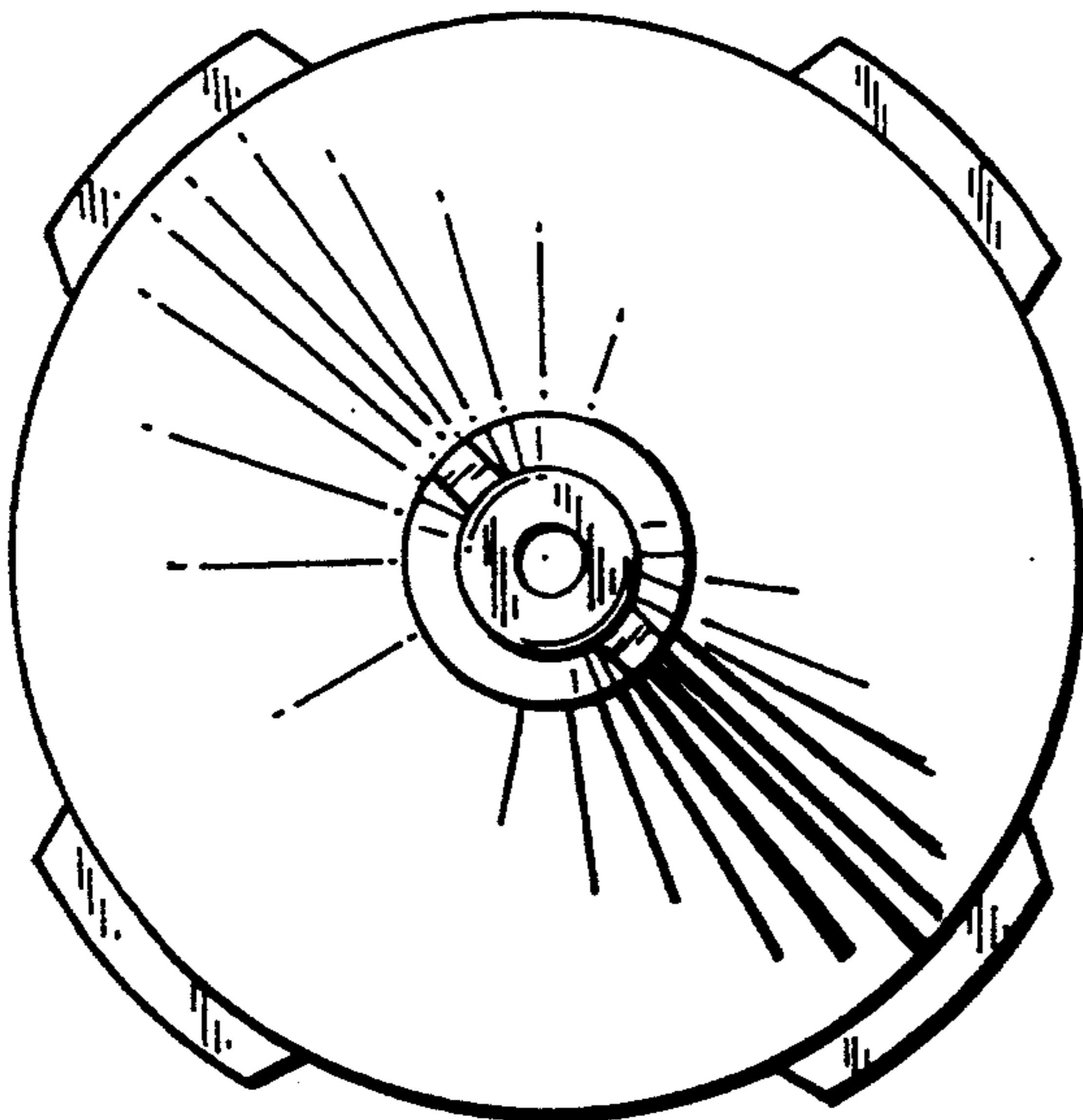


Fig. 9

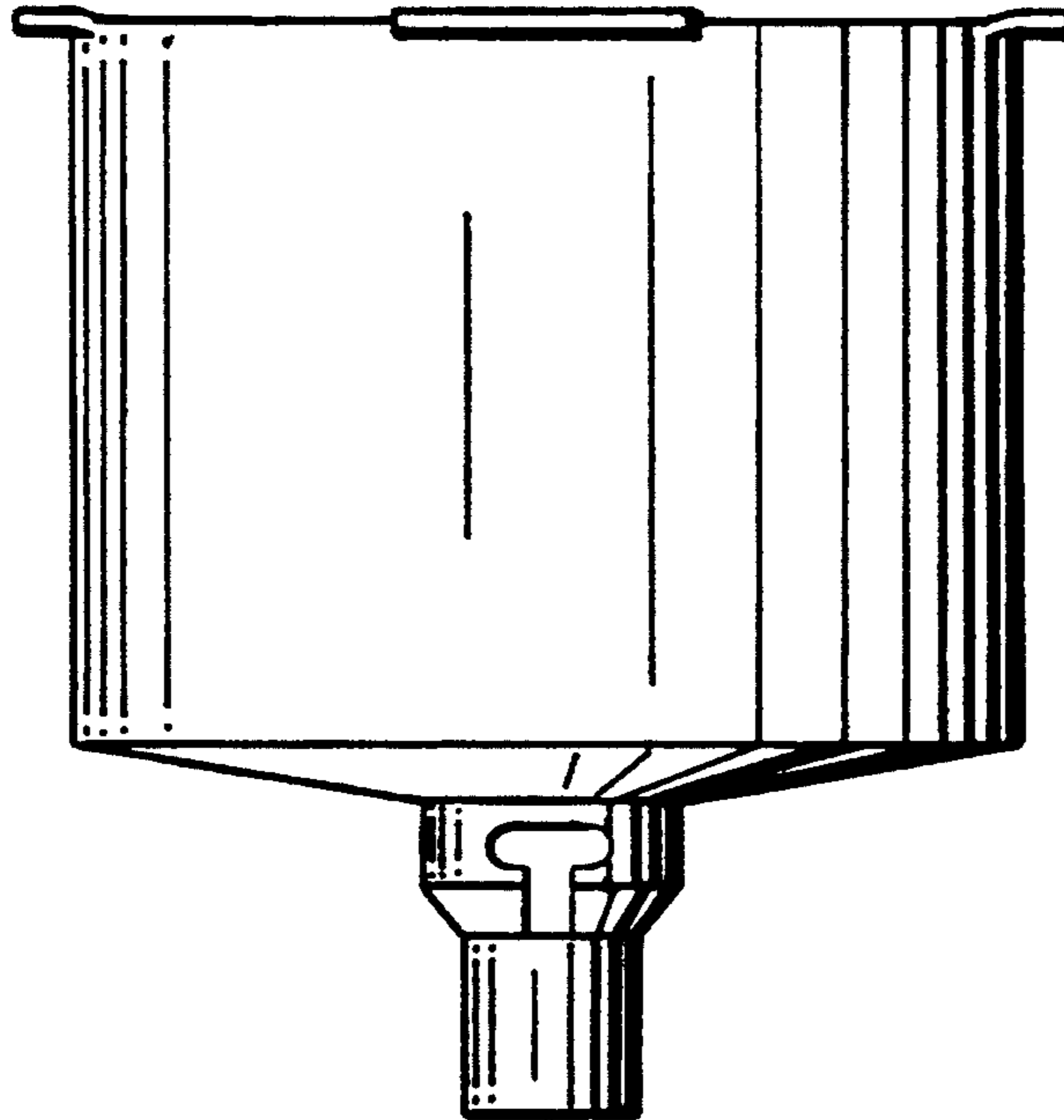


Fig. 10

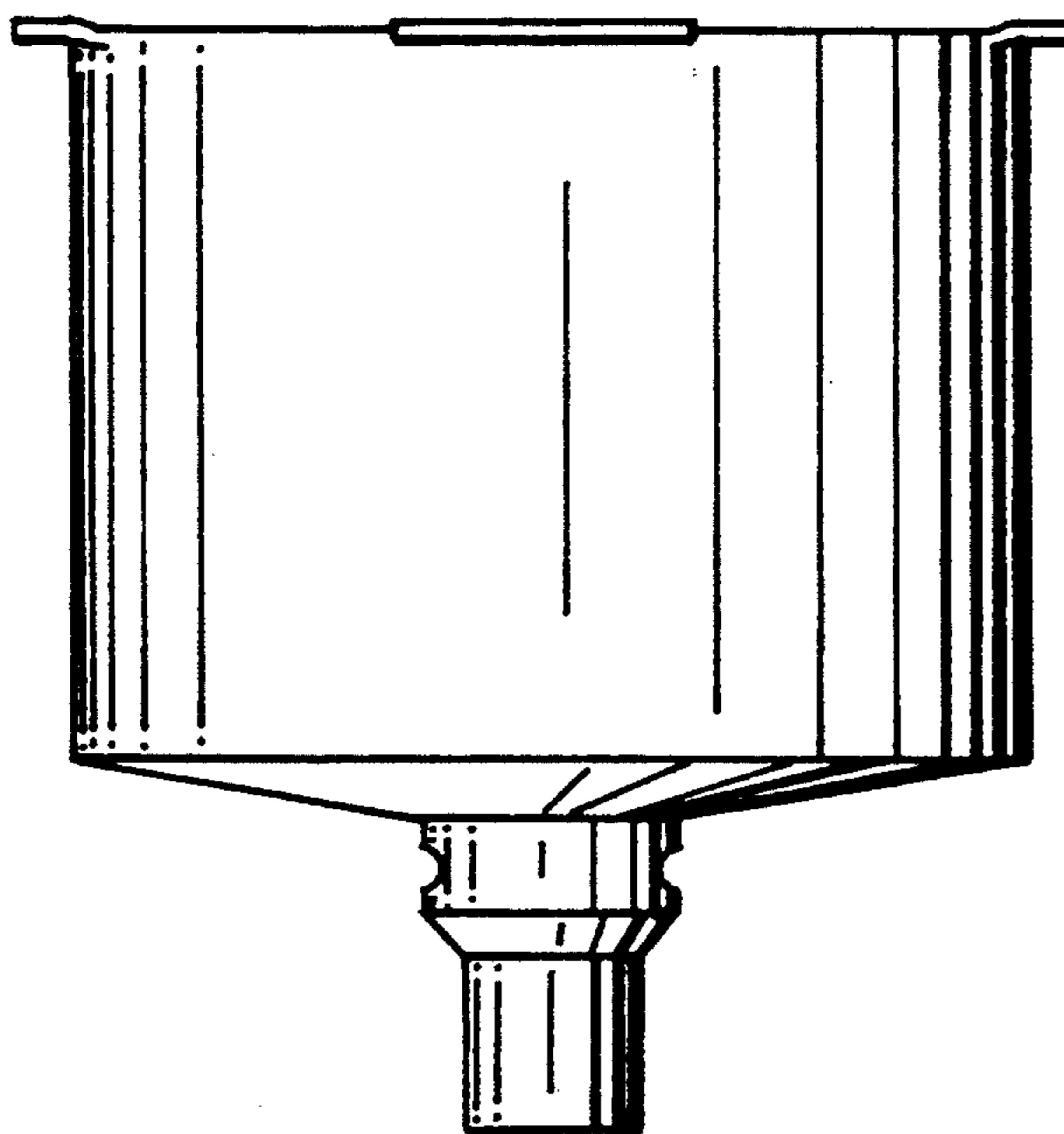


Fig. 11