



US00D349777S

# United States Patent [19]

Kelly et al.

[11] Patent Number: **Des. 349,777**

[45] Date of Patent: **\*\* Aug. 16, 1994**

[54] FLOOD LIGHT

[75] Inventors: **Rick M. Kelly; Herbert A. Fouke,**  
both of Newark, Ohio

[73] Assignee: **Holophane Lighting, Inc.,** Newark,  
Ohio

[\*\*] Term: **14 Years**

[21] Appl. No.: **896,348**

[22] Filed: **Jun. 11, 1992**

[52] U.S. Cl. .... **D26/63**

[58] Field of Search ..... 362/147, 269, 275, 285,  
362/418, 419, 427; D26/60-65

[56] References Cited

### U.S. PATENT DOCUMENTS

D. 208,877 10/1967 MacLeod, Jr. .... D26/63  
3,711,702 1/1973 Adra ..... D26/63 X

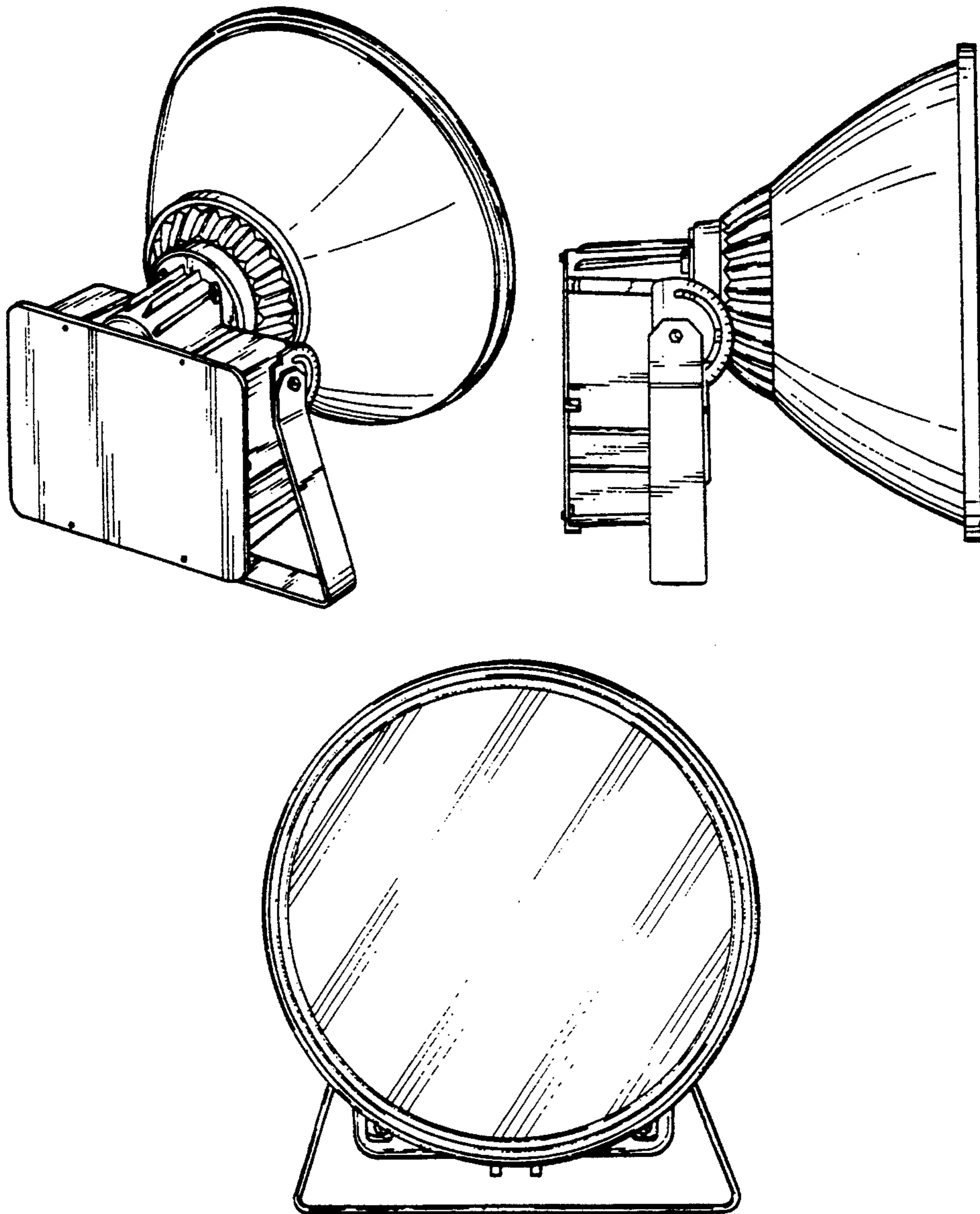
*Primary Examiner*—Susan J. Lucas  
*Attorney, Agent, or Firm*—Brooks & Kushman

[57] CLAIM

The ornamental design for a flood light, as shown and described.

### DESCRIPTION

FIG. 1 is a perspective view of our new design;  
FIG. 2 is a right side elevational view;  
FIG. 3 is a left side elevational view;  
FIG. 4 is a front elevational view; and,  
FIG. 5 is a back elevational view.



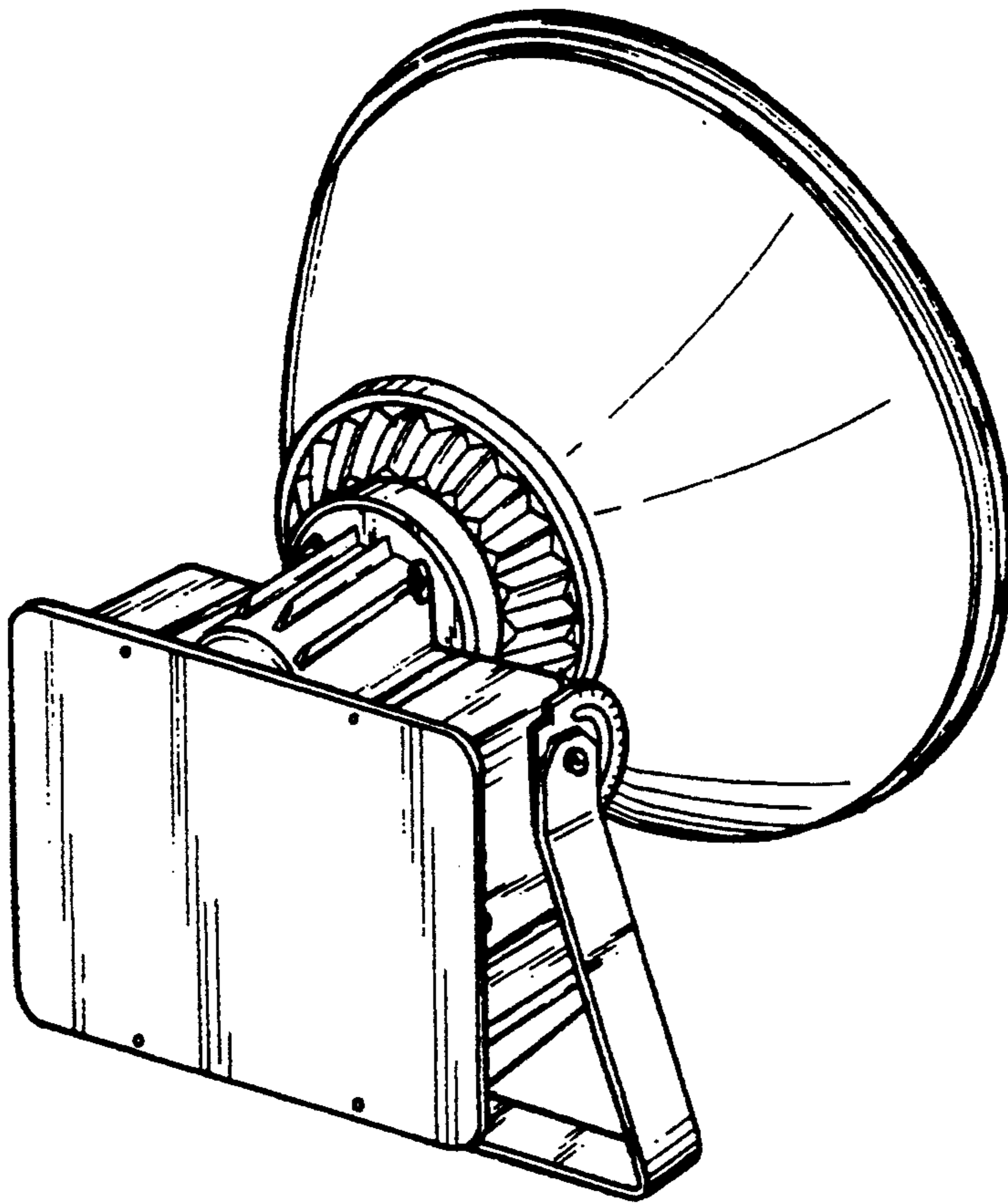
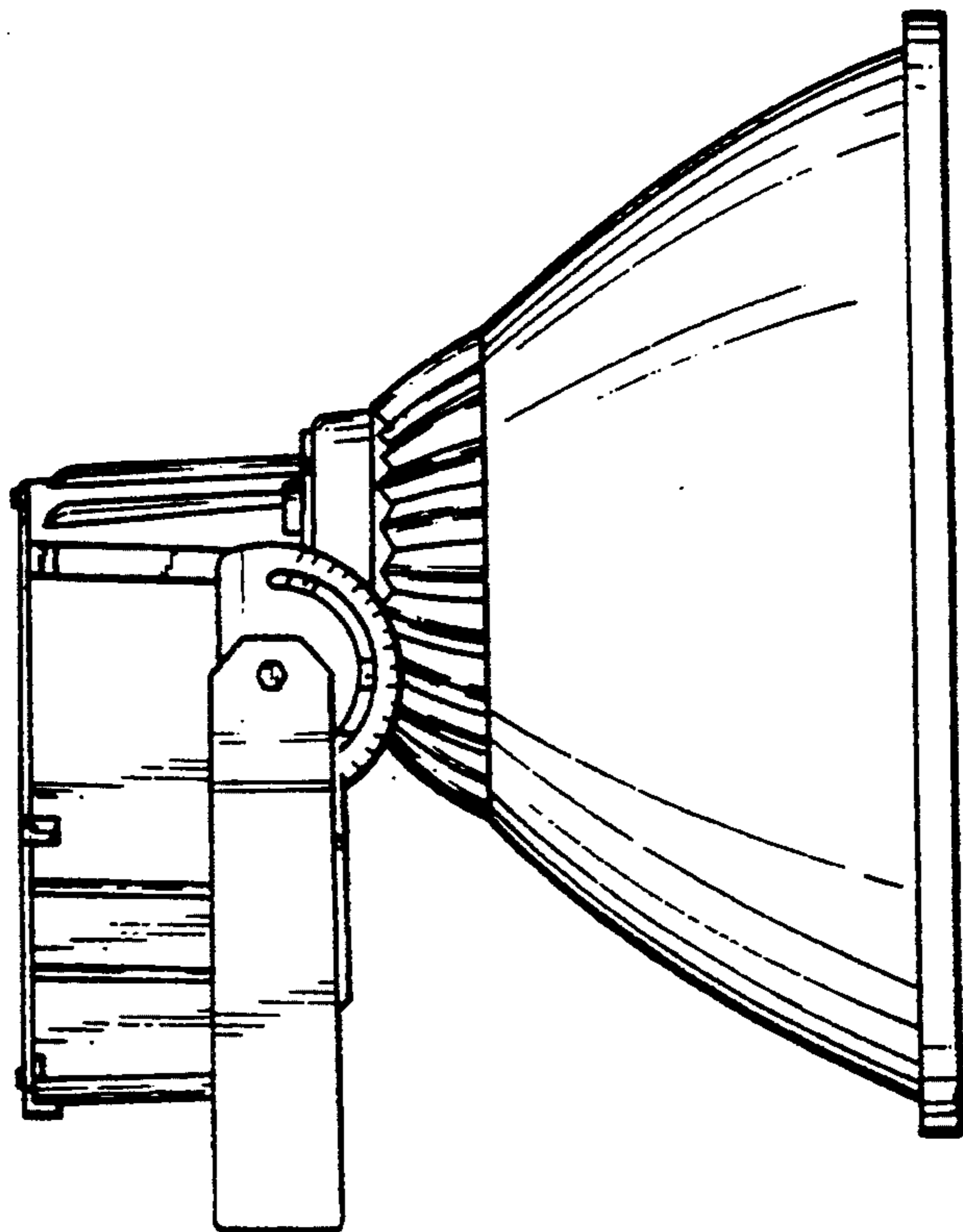


fig-1

fig-2



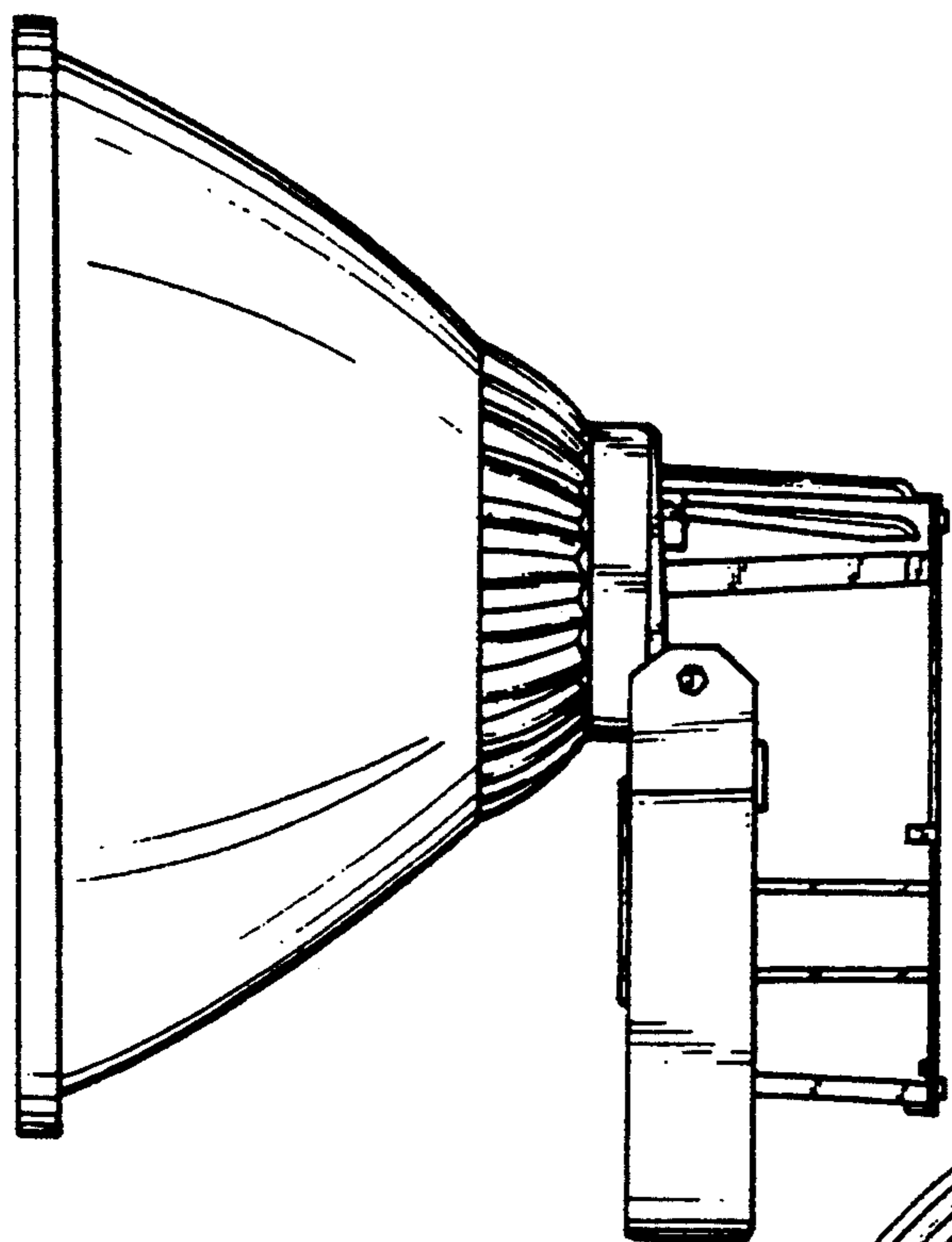


fig-3

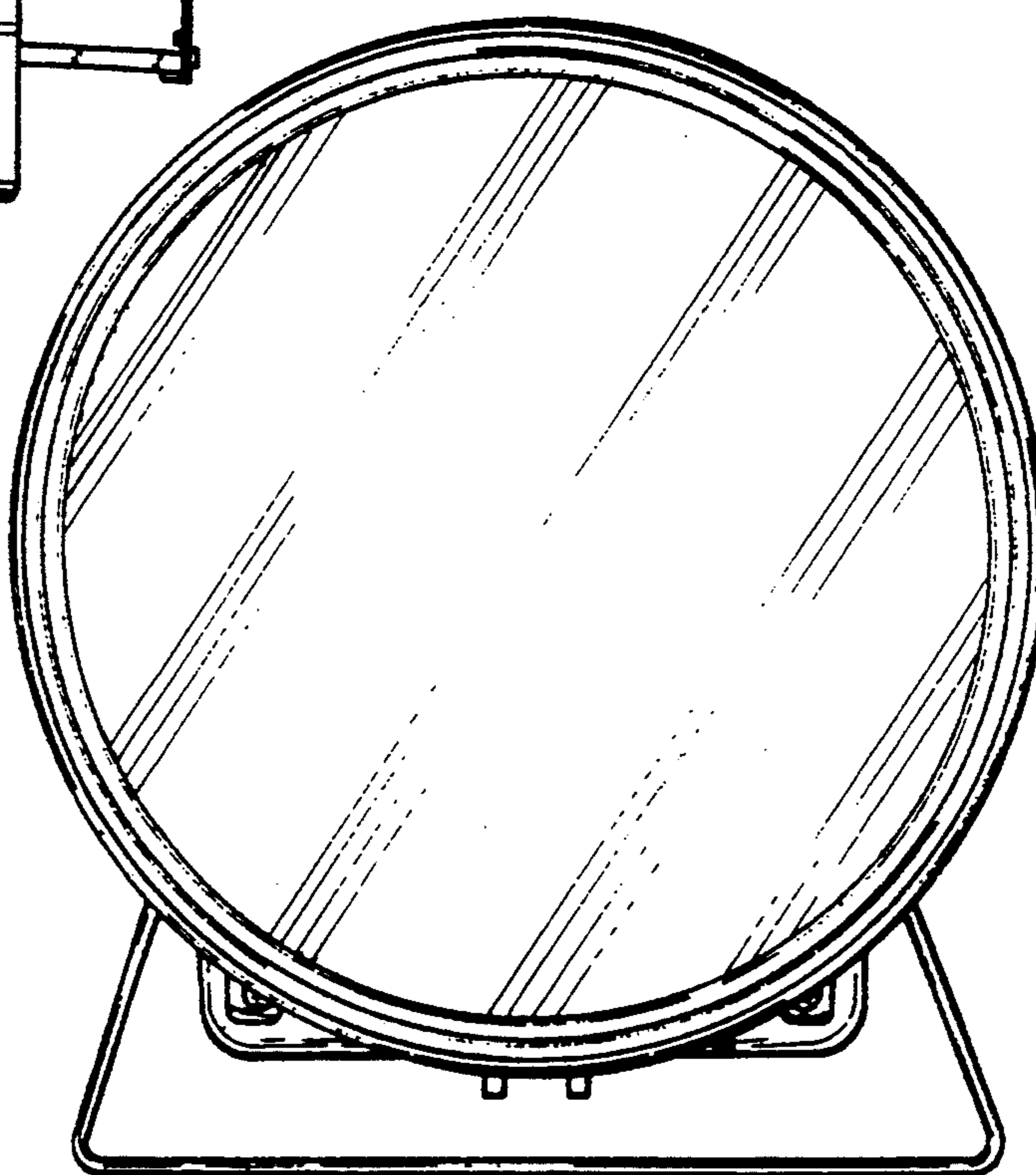


fig-4

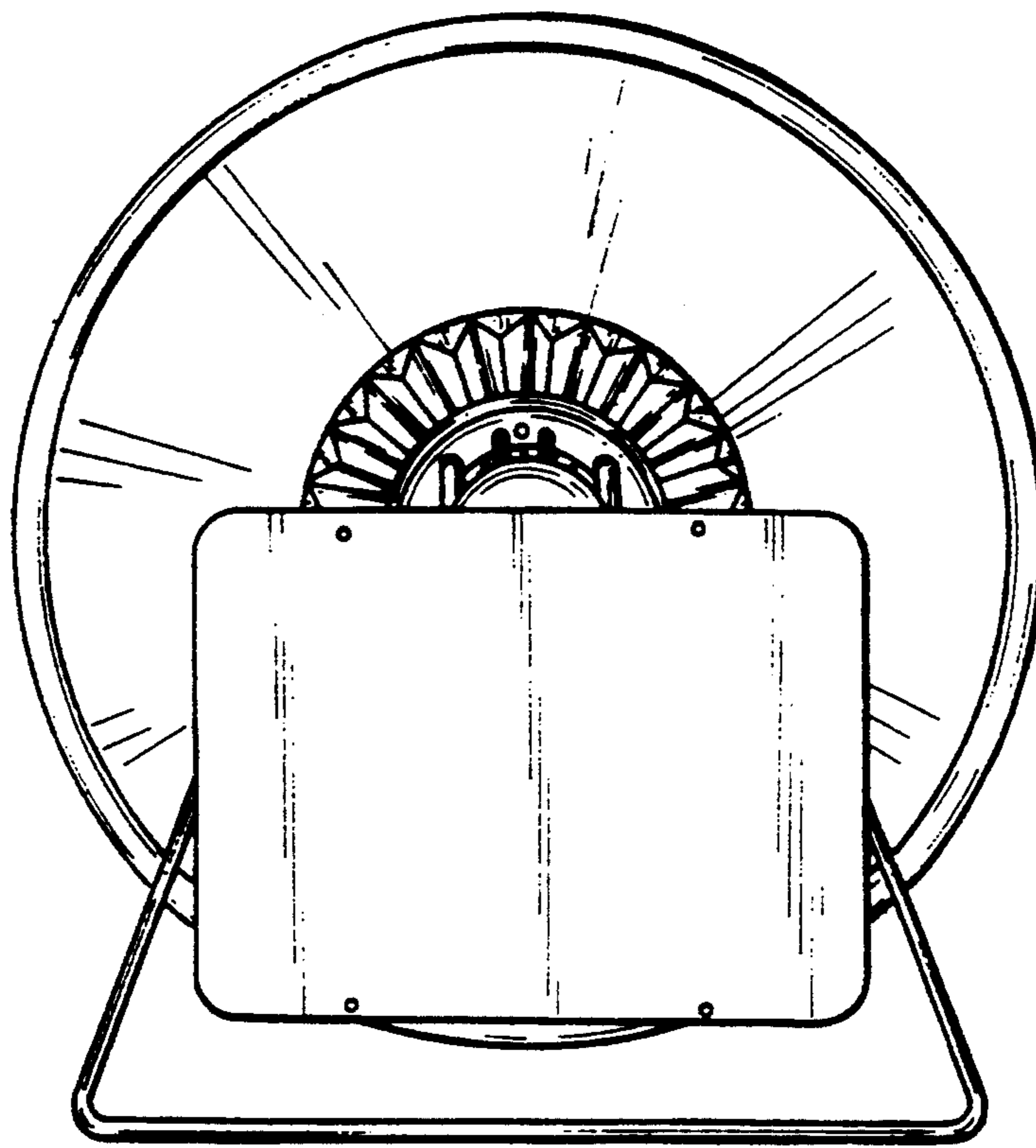


Fig-5