



US00D349775S

United States Patent [19]

Shalvi

[11] Patent Number: **Des. 349,775**

[45] Date of Patent: **** Aug. 16, 1994**

[54] **FLUORESCENT LAMP ADAPTER BASE**

[75] Inventor: **Ram Shalvi, Hong Kong, Hong Kong**

[73] Assignee: **Solar Wide Industrial Ltd., Hong Kong, Hong Kong**

[**] Term: **14 Years**

[21] Appl. No.: **862,277**

[22] Filed: **Apr. 2, 1992**

[30] **Foreign Application Priority Data**

Oct. 4, 1991 [GB] United Kingdom 2018007

[52] U.S. Cl. **D26/3**

[58] Field of Search 313/315, 318, 493;
315/56, 57, 58, 63; D26/2, 3, 26

[56] **References Cited**

U.S. PATENT DOCUMENTS

D. 262,405	12/1981	Zabransky	D26/2
D. 302,860	8/1989	Anema	D26/2
4,754,197	6/1988	Zwald	315/57
4,920,297	4/1990	Van Der Heijden et al. ...	315/57 X

Primary Examiner—Susan J. Lucas
Attorney, Agent, or Firm—Ostrolenk, Faber, Gerb & Soffen

[57] **CLAIM**

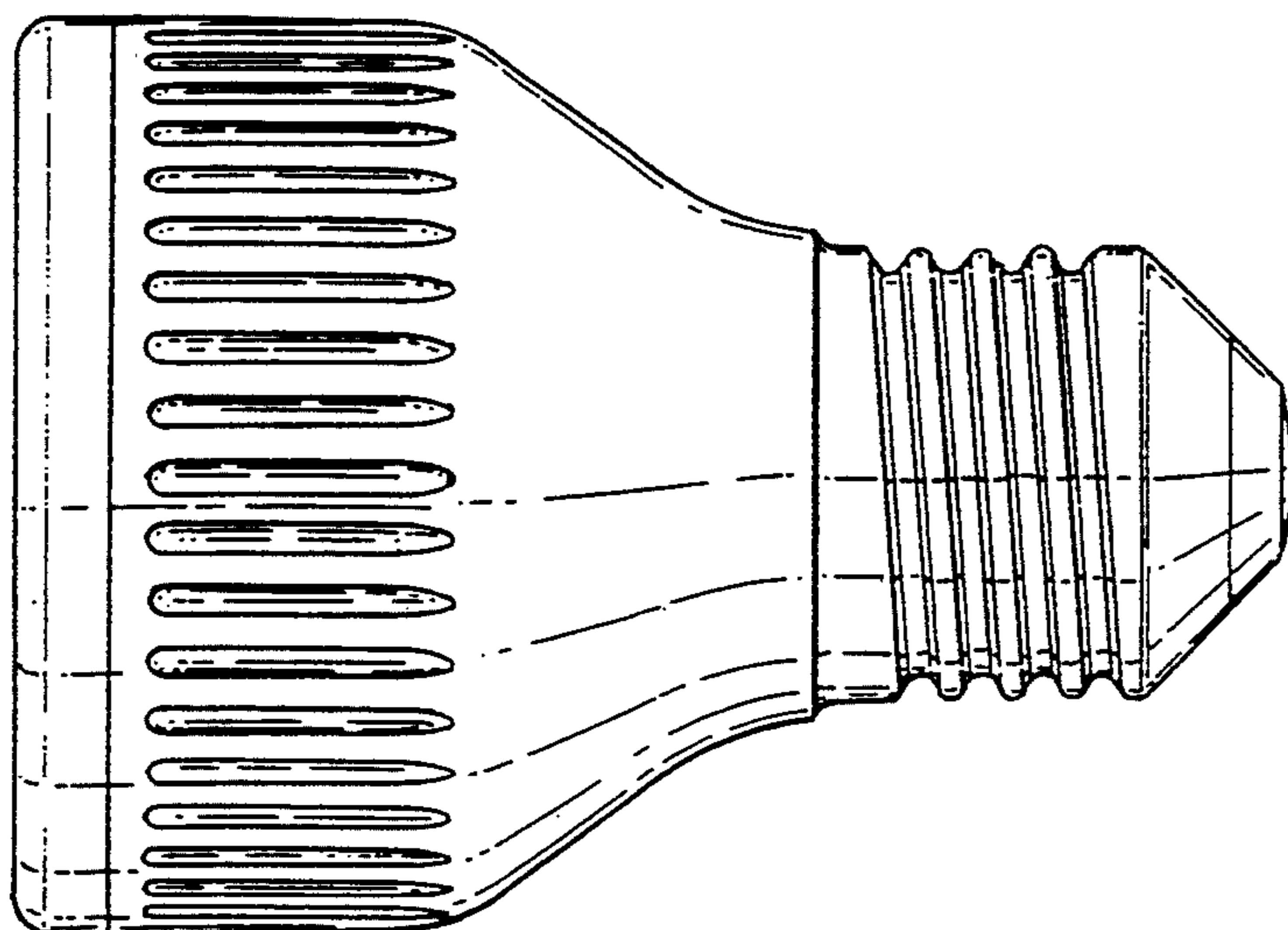
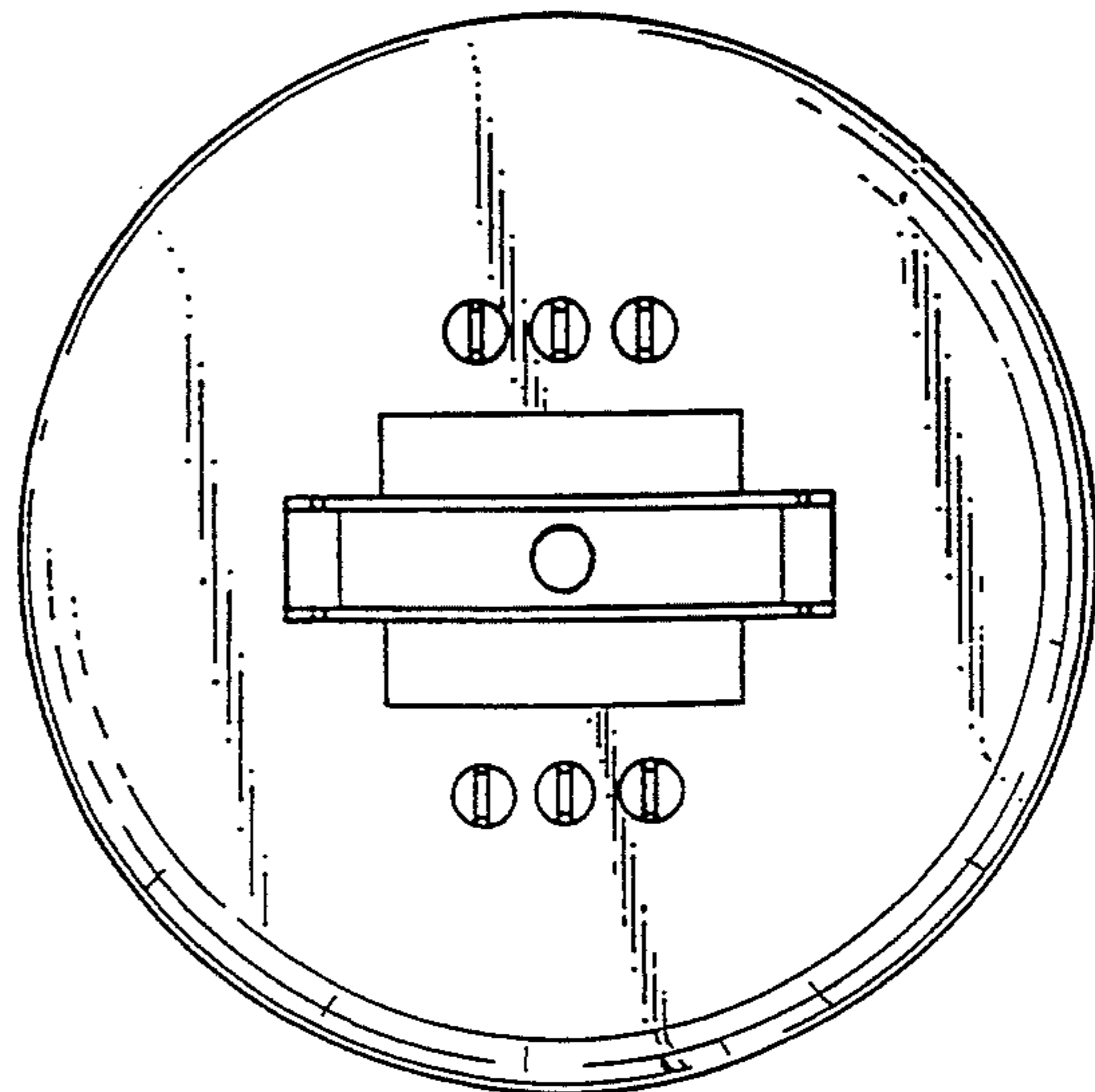
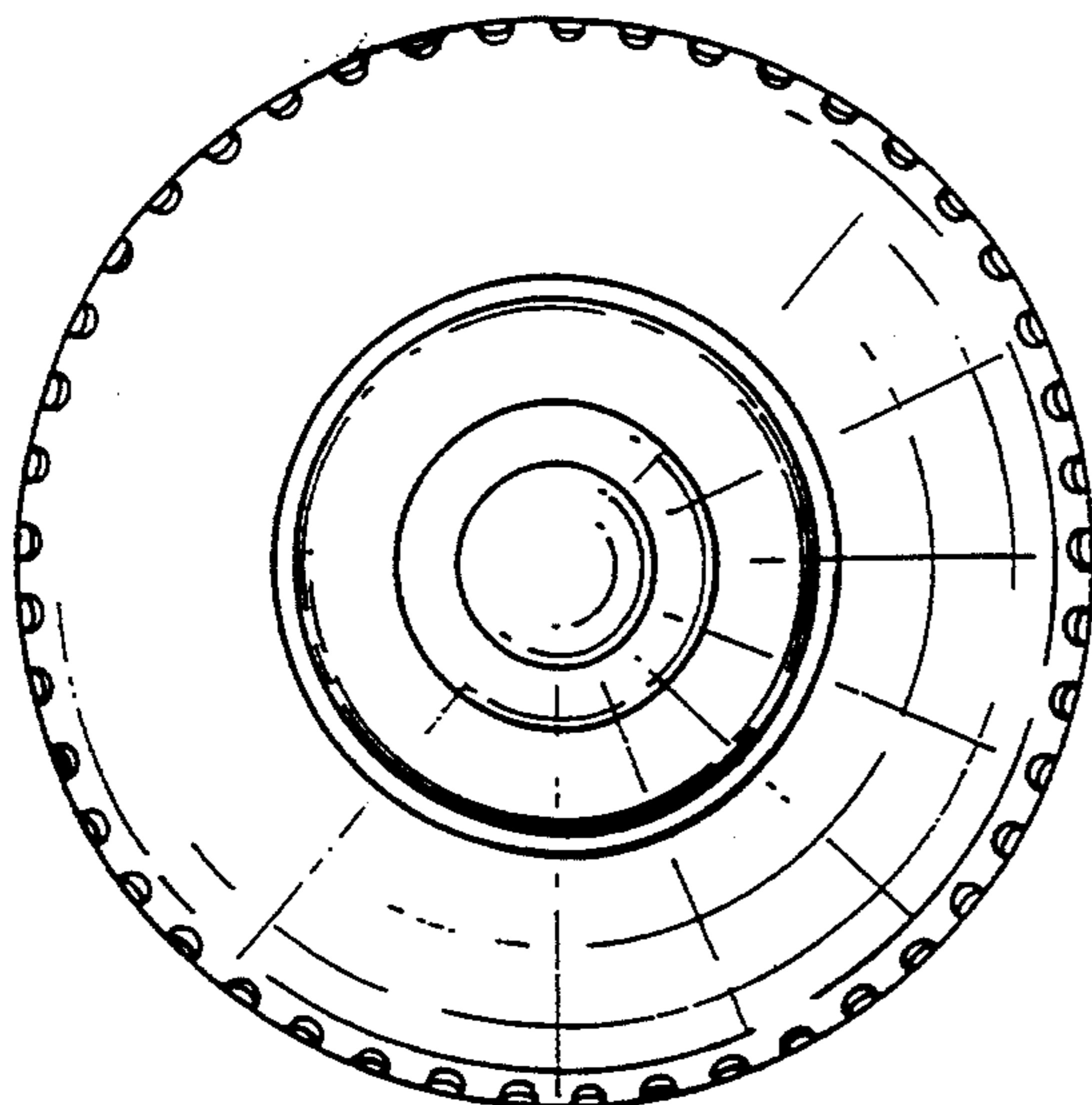
The ornamental design for a fluorescent lamp adapter base, as shown and described.

DESCRIPTION

FIG. 1 is a front elevational view of a fluorescent lamp adapter base showing my new design:

FIG. 2 is a rear elevational view thereof; and,

FIG. 3 is a side elevational view thereof, all sides being identical.



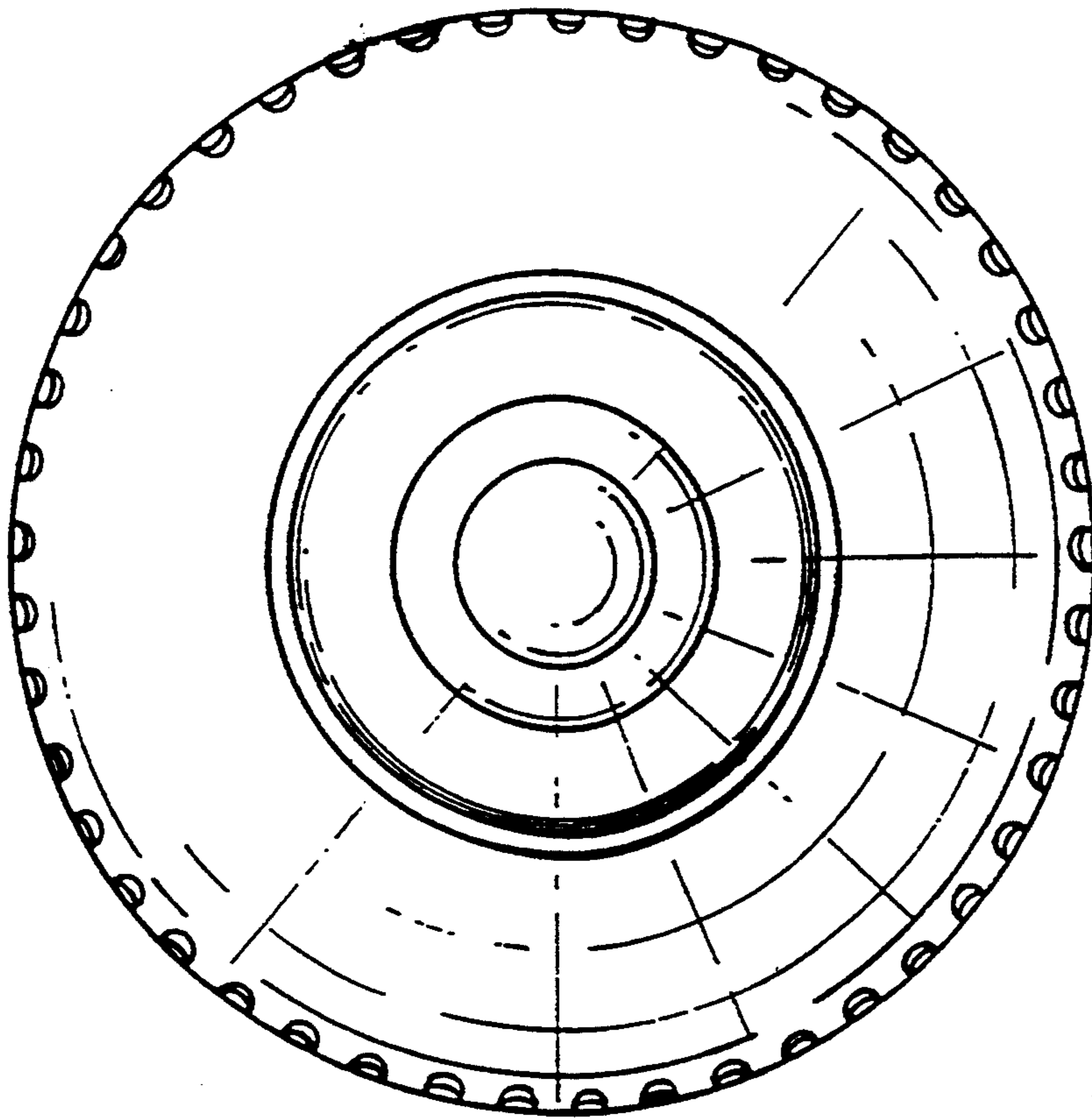


Fig. 1

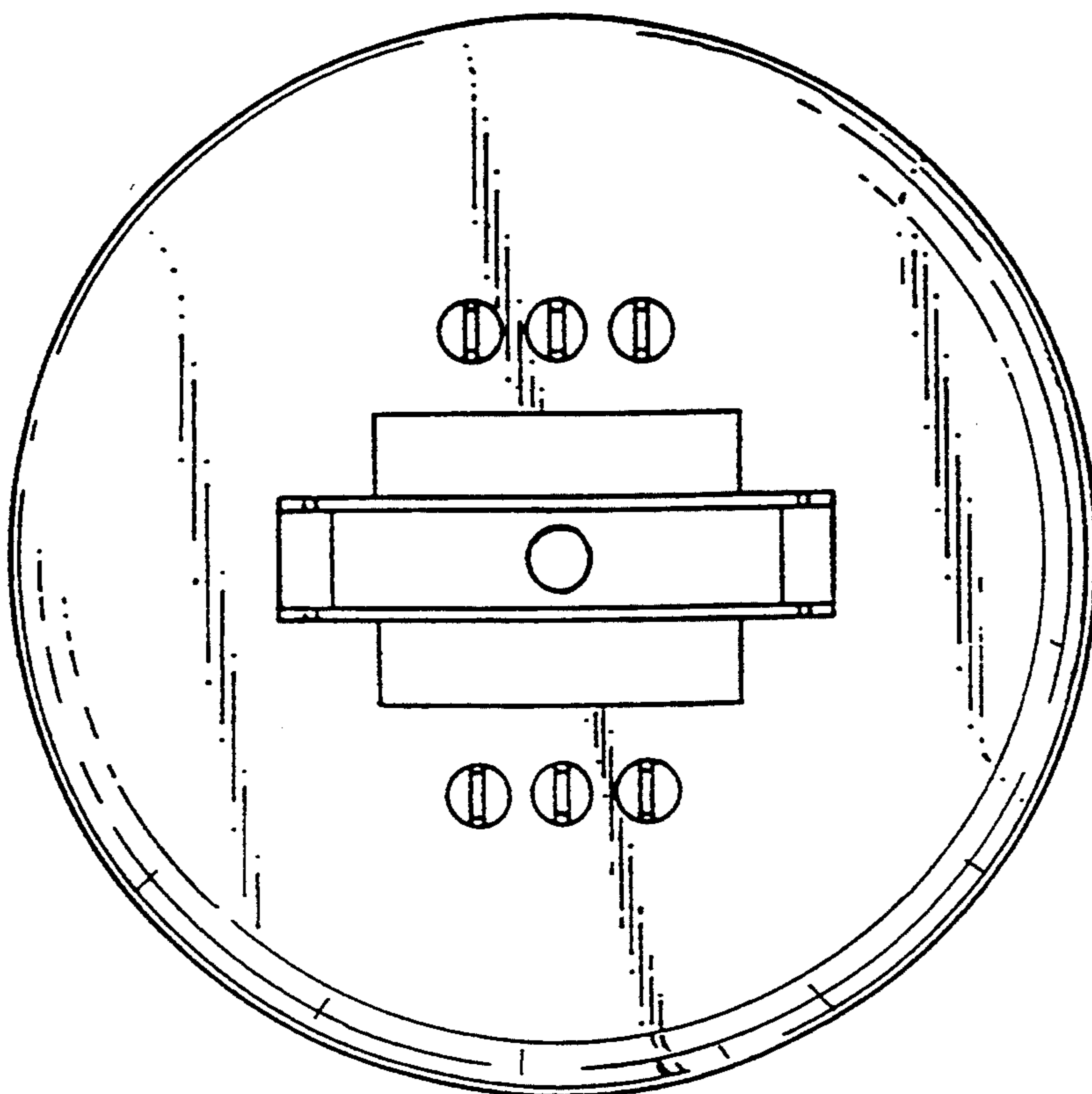


Fig. 2

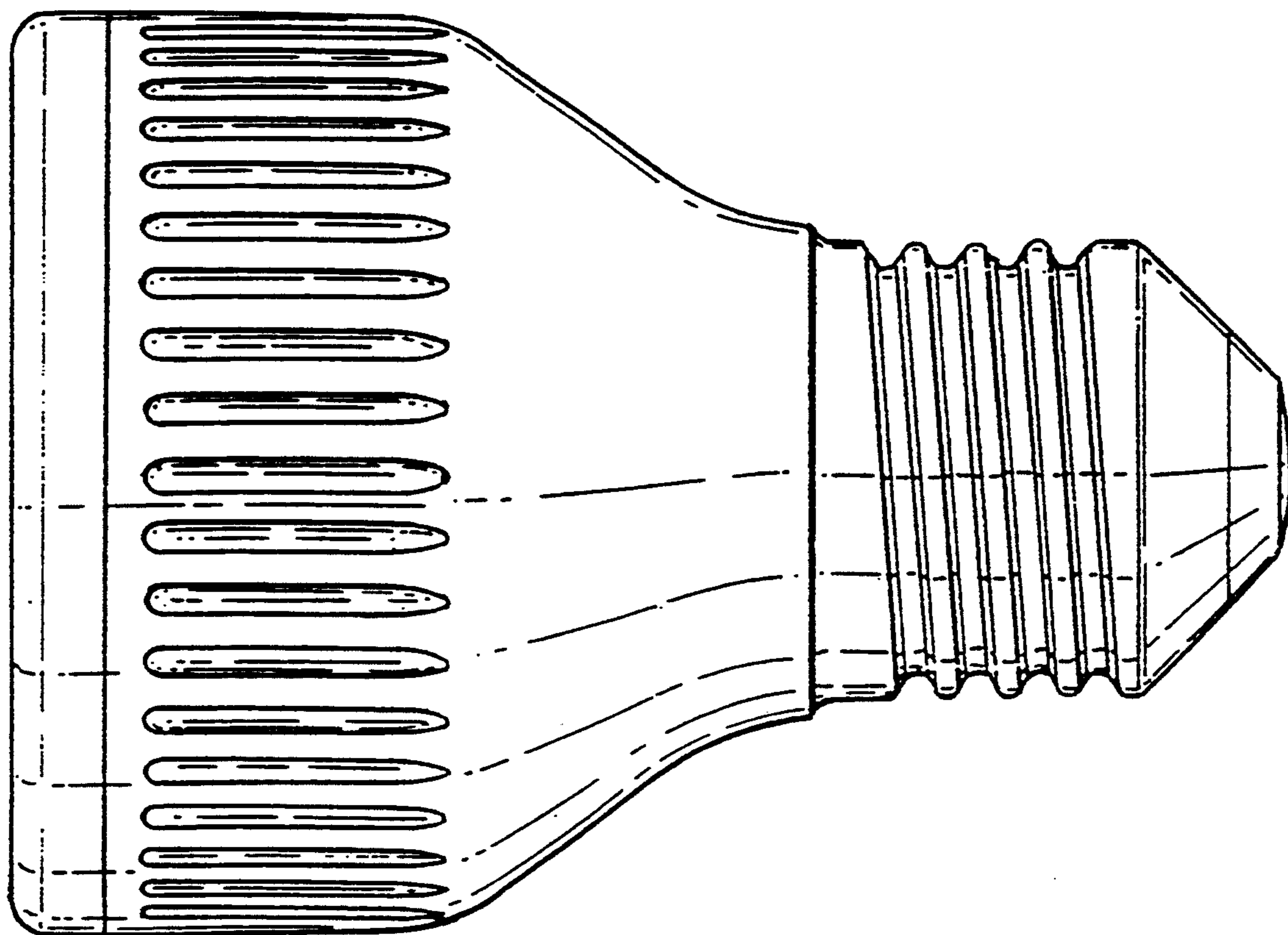


Fig. 3