



US00D349769S

United States Patent [19] Green

[11] Patent Number: Des. 349,769

[45] Date of Patent: ** Aug. 16, 1994

[54] PROTECTIVE CAP FOR A BABY BOTTLE

[76] Inventor: Richard D. Green, 12979 Culver Blvd., Los Angeles, Calif. 90066

[**] Term: 14 Years

[21] Appl. No.: 997

[22] Filed: Nov. 2, 1992

[52] U.S. Cl. D24/197

[58] Field of Search 215/11.1, 11.2, 11.3, 215/11.4, 11.5, 11.6; D24/197

3,779,413 12/1973 Pickerell et al. .
5,069,351 12/1991 Gunderson et al. 215/11.1

FOREIGN PATENT DOCUMENTS

1003787 2/1947 France .
969873 7/1948 France .

Primary Examiner—Stella Reid
Attorney, Agent, or Firm—Kelly, Bauersfeld & Lowry

[57] CLAIM

The ornamental design for a protective cap for a baby bottle, as shown and described.

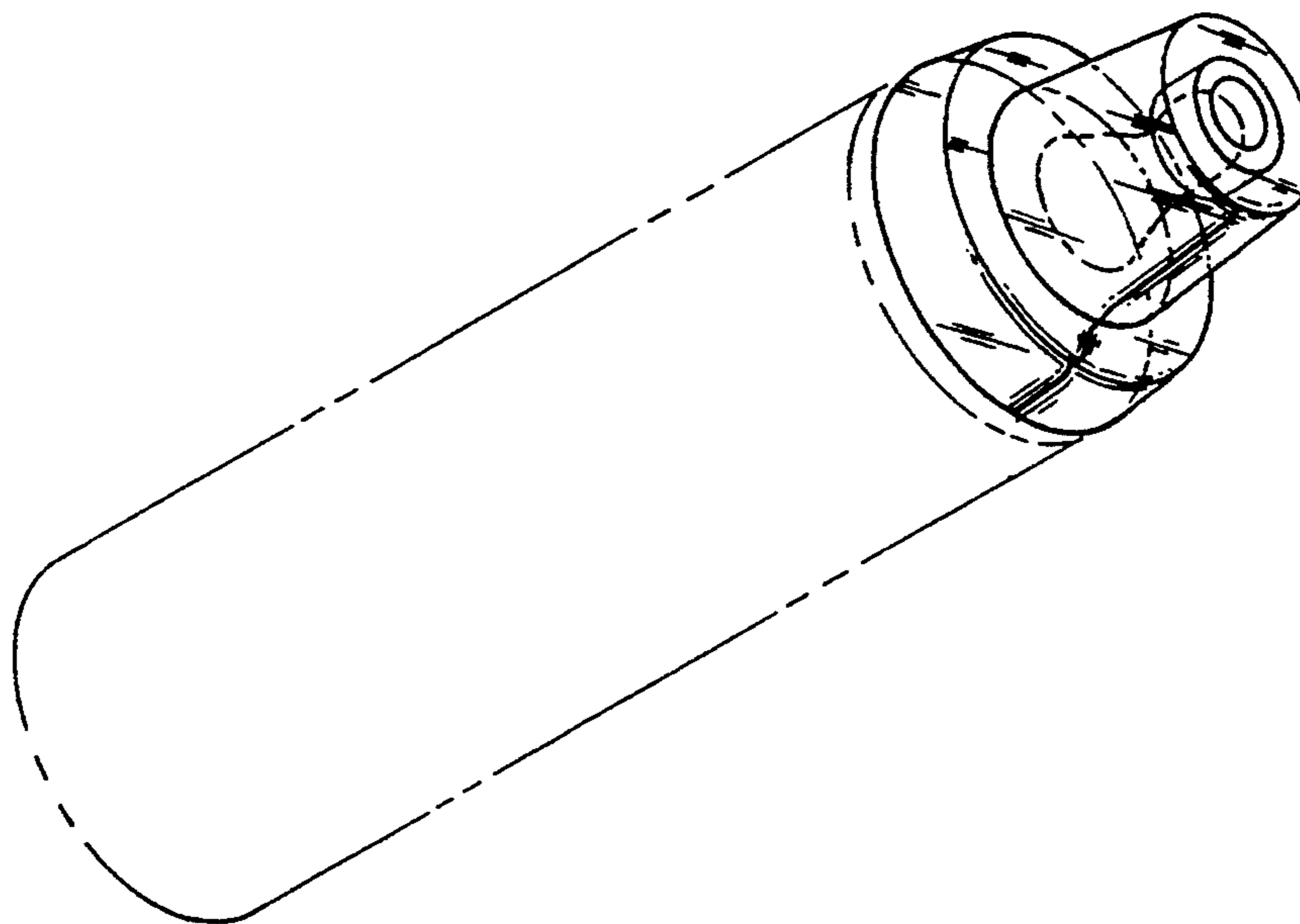
DESCRIPTION

FIG. 1 is a perspective view illustrating a protective cap for a baby bottle embodying my new design, the dotted line depiction of a baby bottle and nipple being for illustrative purposes only;
FIG. 2 is a side elevational view thereof;
FIG. 3 is a top plan view thereof;
FIG. 4 is a bottom plan view thereof; and,
FIG. 5 is a transverse vertical sectional view taken generally on the line 5—5 of FIG. 3.

[56] References Cited

U.S. PATENT DOCUMENTS

- D. 214,146 5/1969 Ritsi D24/197
- D. 286,911 11/1986 Campbell et al. D24/197
- D. 315,213 3/1991 Ohnuki D24/197
- 2,090,749 8/1937 Corsi et al. .
- 2,167,284 7/1939 Sauder .
- 2,986,296 5/1961 Bannister et al. .
- 3,393,817 7/1968 Meierhoefer .
- 3,531,009 9/1970 Saperstein .



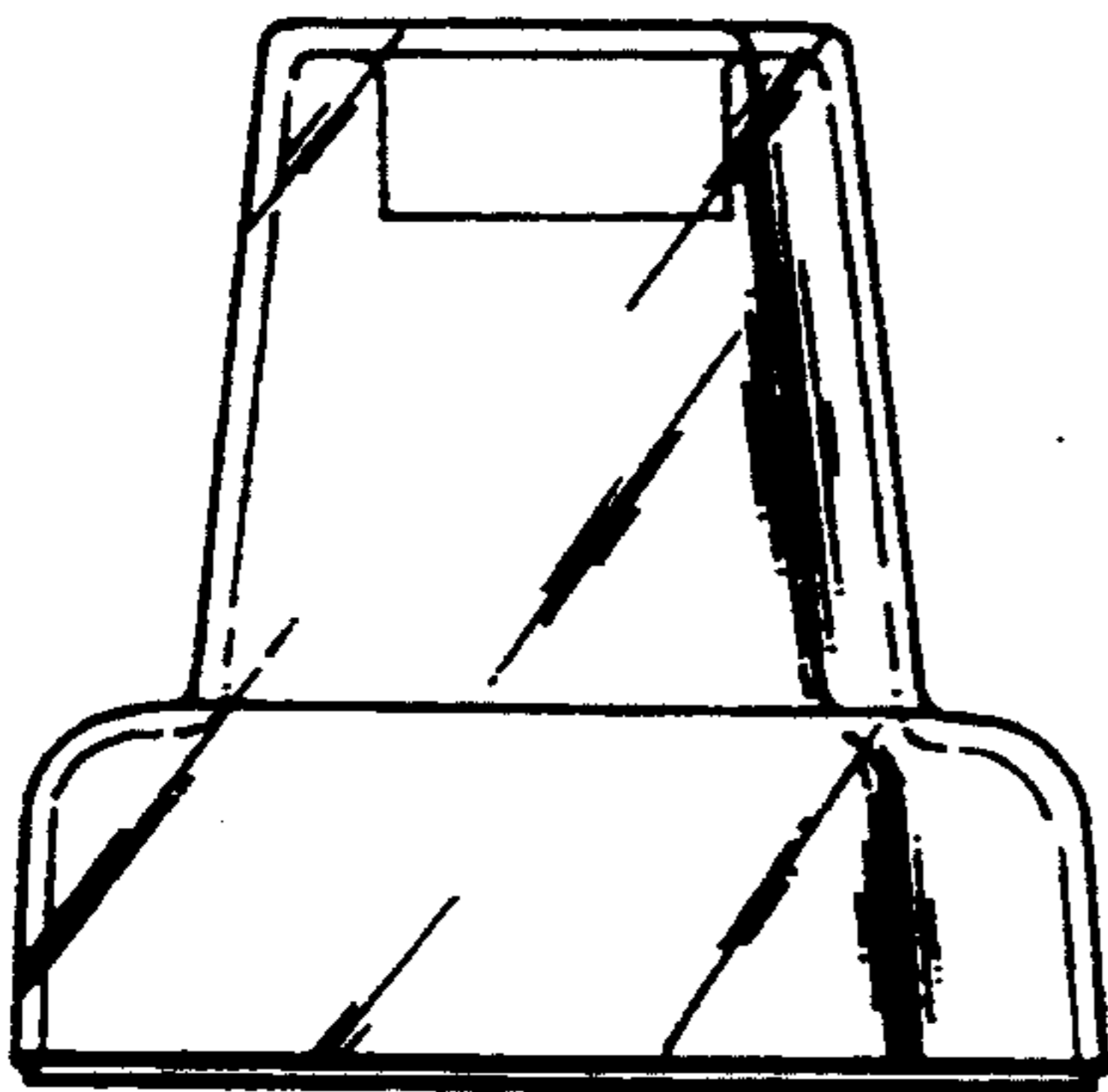
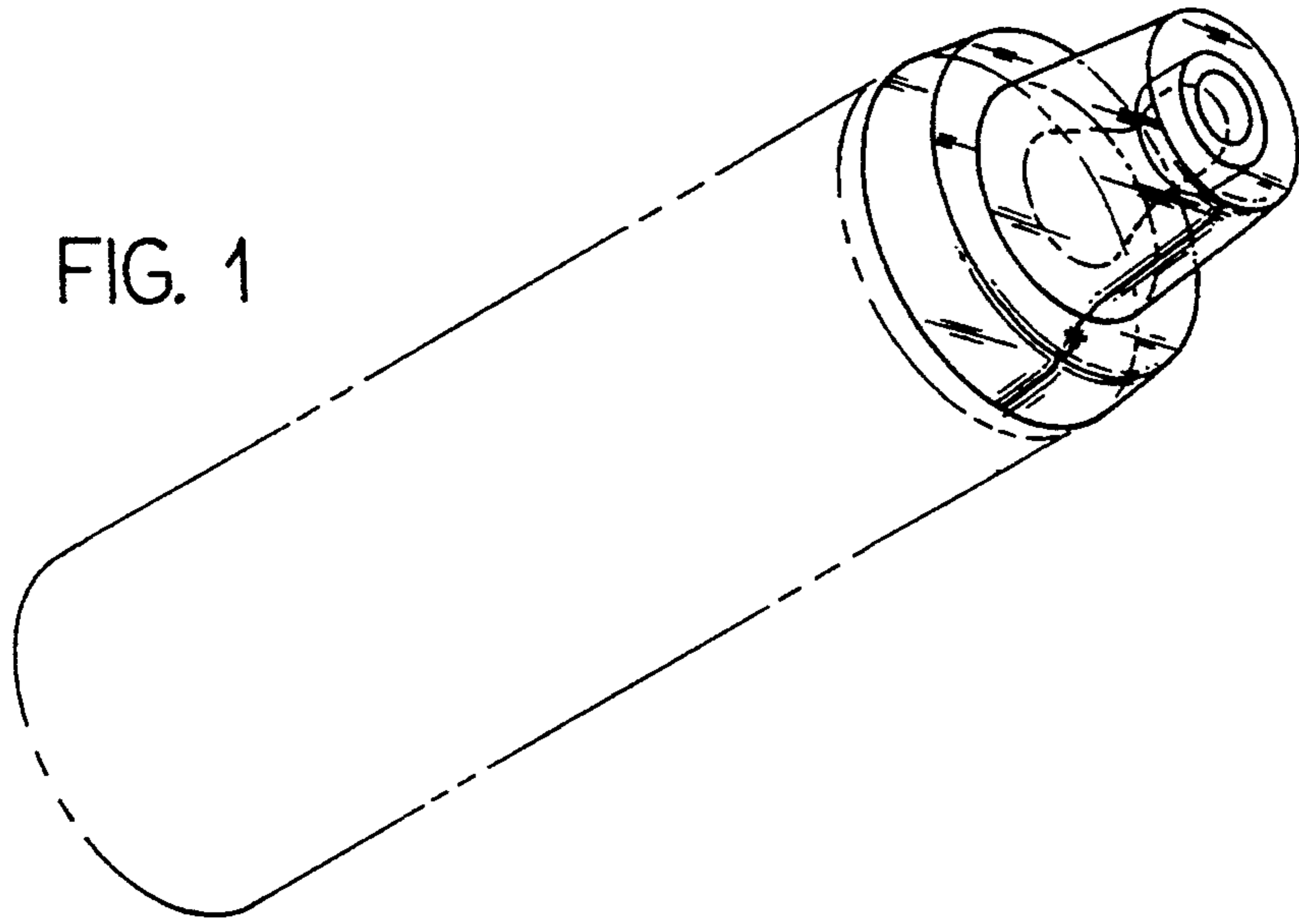


FIG. 2

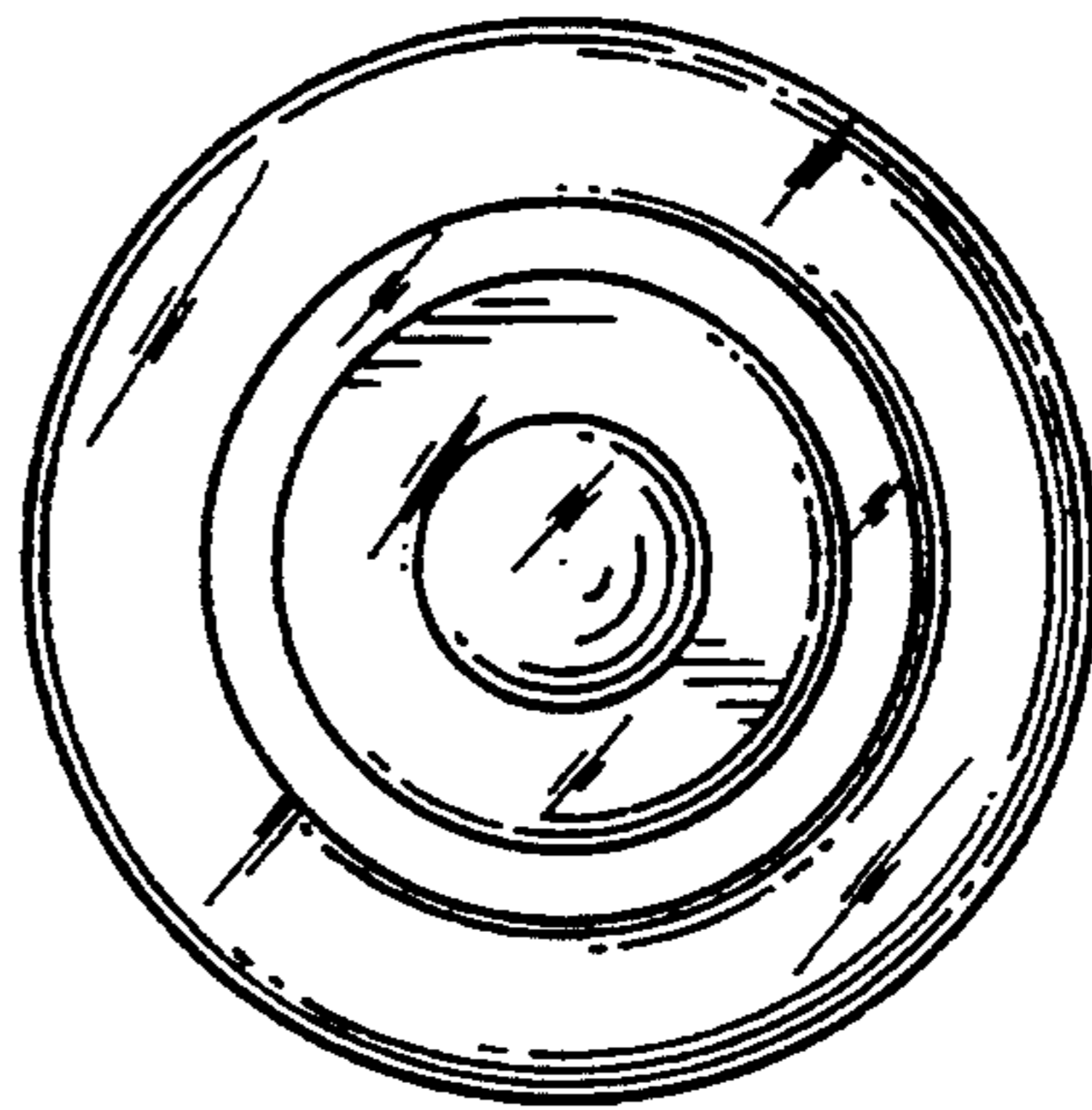


FIG. 3

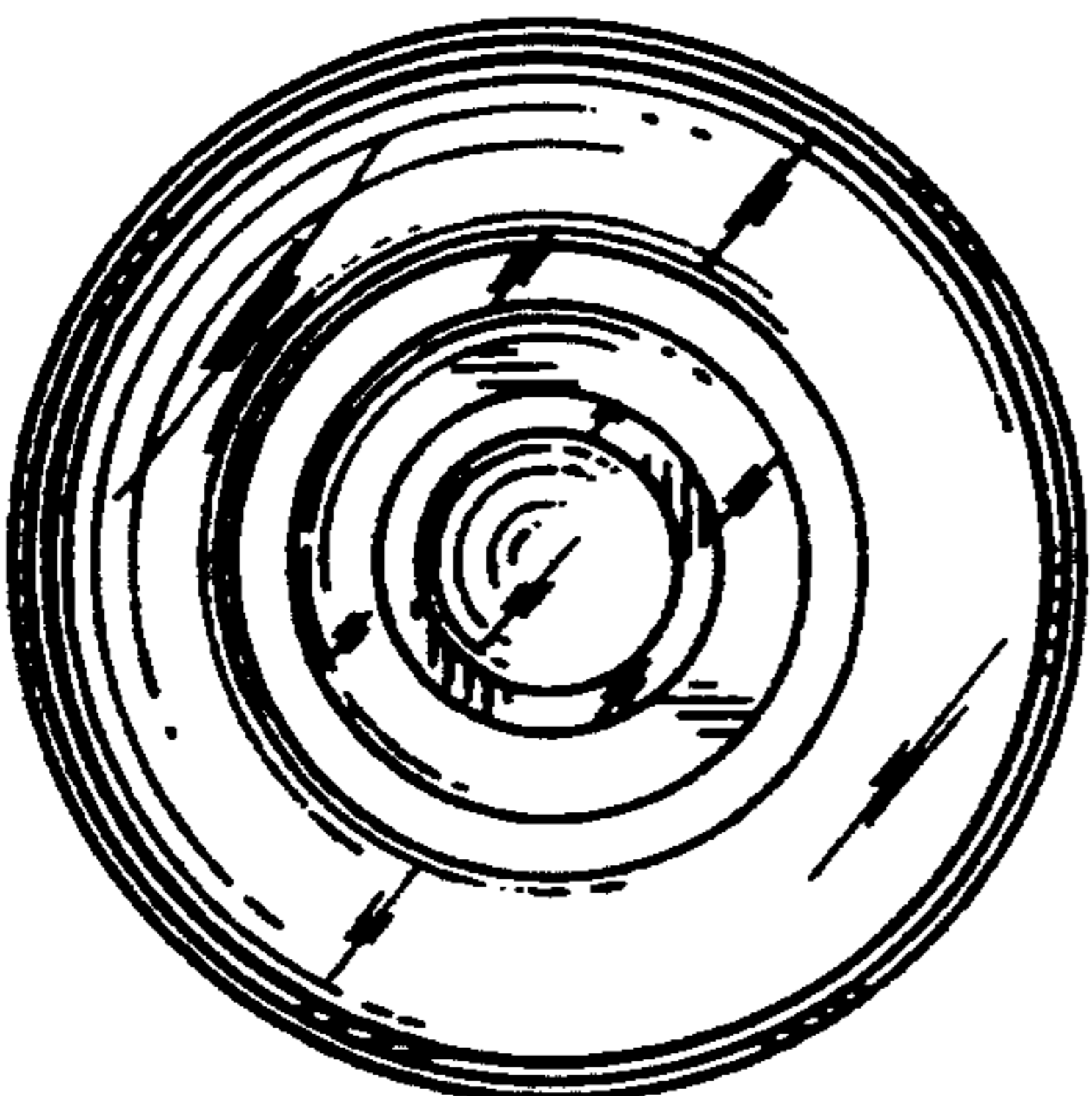


FIG. 4

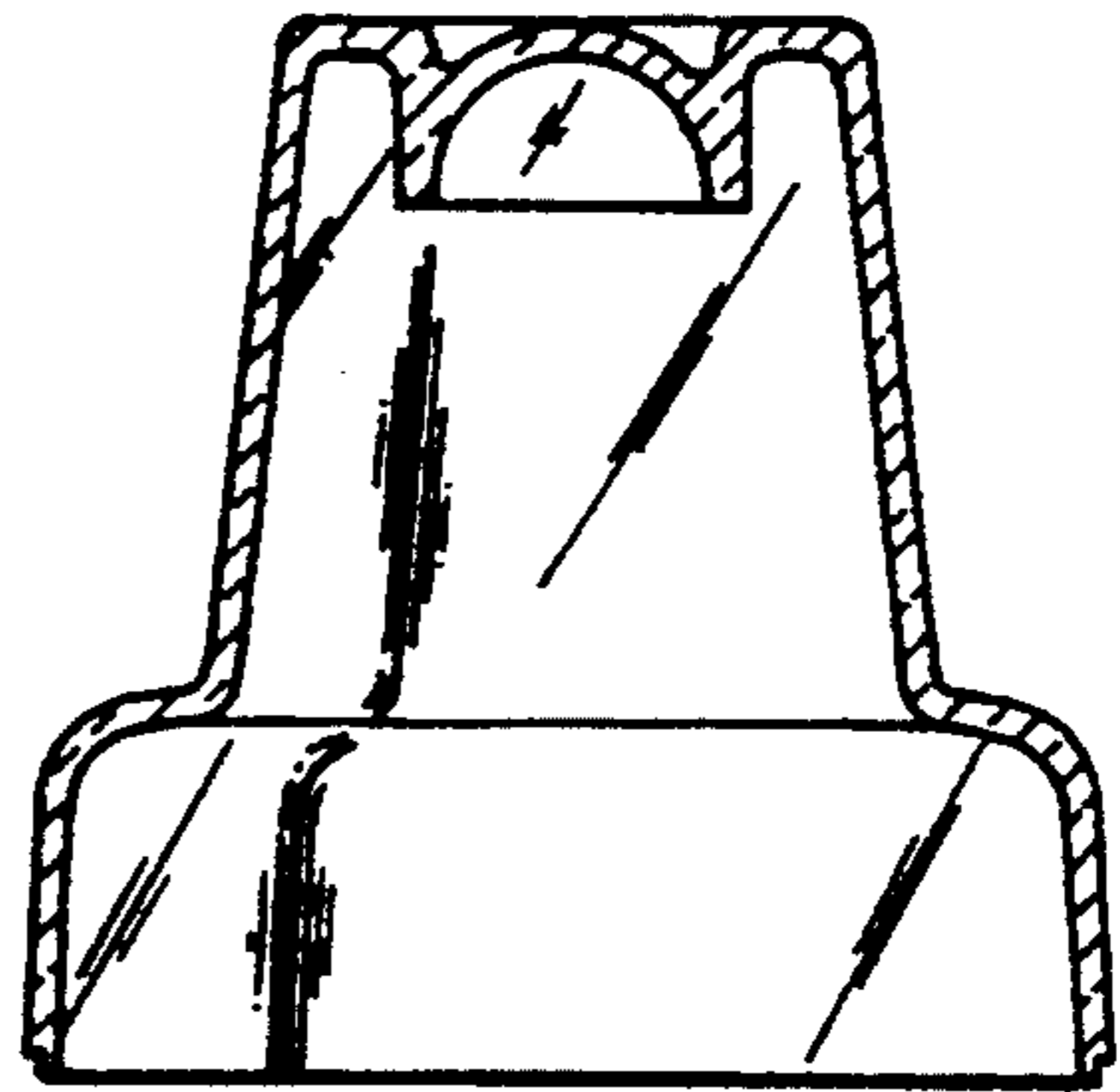


FIG. 5