



US00D349760S

# United States Patent [19]

[11] Patent Number: Des. 349,760

Schlumpf

[45] Date of Patent: \*\* Aug. 16, 1994

[54] COMBINED HEATED AND ILLUMINATED TOILET SEAT

[76] Inventor: Zachrey Schlumpf, 1103 Linden St., Woodbridge, Va. 22191

[\*\*] Term: 14 Years

[21] Appl. No.: 880,336

[22] Filed: May 8, 1992

[52] U.S. Cl. .... D23/311

[58] Field of Search ..... 4/234-240, 4/661, DIG. 6; 219/217; D23/303, 309-312

2,717,953	9/1955	Brandi .	
2,972,034	2/1961	Fasley .	
3,045,096	7/1962	Clayton .....	4/237 X
3,073,937	1/1963	Easley .....	4/237 X
3,493,721	2/1970	Kamitani et al. .	
3,982,288	9/1976	Borne .....	4/237
4,446,584	5/1984	Suzuki et al. .	

Primary Examiner—James R. Largen  
Attorney, Agent, or Firm—Hugh E. Smith

## [57] CLAIM

The ornamental design for a combined heated and illuminated toilet seat, as shown and described.

## [56] References Cited

### U.S. PATENT DOCUMENTS

D. 322,850	12/1991	Madrigal .....	D23/386
D. 332,997	2/1993	Keefa .....	D23/311
1,058,270	4/1913	Stephens .	
1,412,436	4/1922	Wilkin .....	4/237 X
1,689,386	10/1928	Hawkins .	
2,087,112	7/1937	Nishinaka .	
2,287,371	6/1942	Blakesley et al. .	
2,447,738	8/1948	Conner .....	4/237 X
2,458,019	1/1949	Niles .	
2,460,543	2/1949	Spierer .	
2,593,087	4/1952	Baggett .....	4/237 X

## DESCRIPTION

FIG. 1 is a front elevational view of a combined heated and illuminated toilet seat showing my new design; FIG. 2 is a rear elevational view thereof; FIG. 3 is a left side elevational view thereof; FIG. 4 is a right side elevational view thereof; FIG. 5 is a top plan view thereof; FIG. 6 is a bottom plan view thereof; and, FIG. 7 is a perspective view thereof. The broken line representation of a toilet in FIG. 7 is for purposes of illustration only and forms no part of the claimed design.

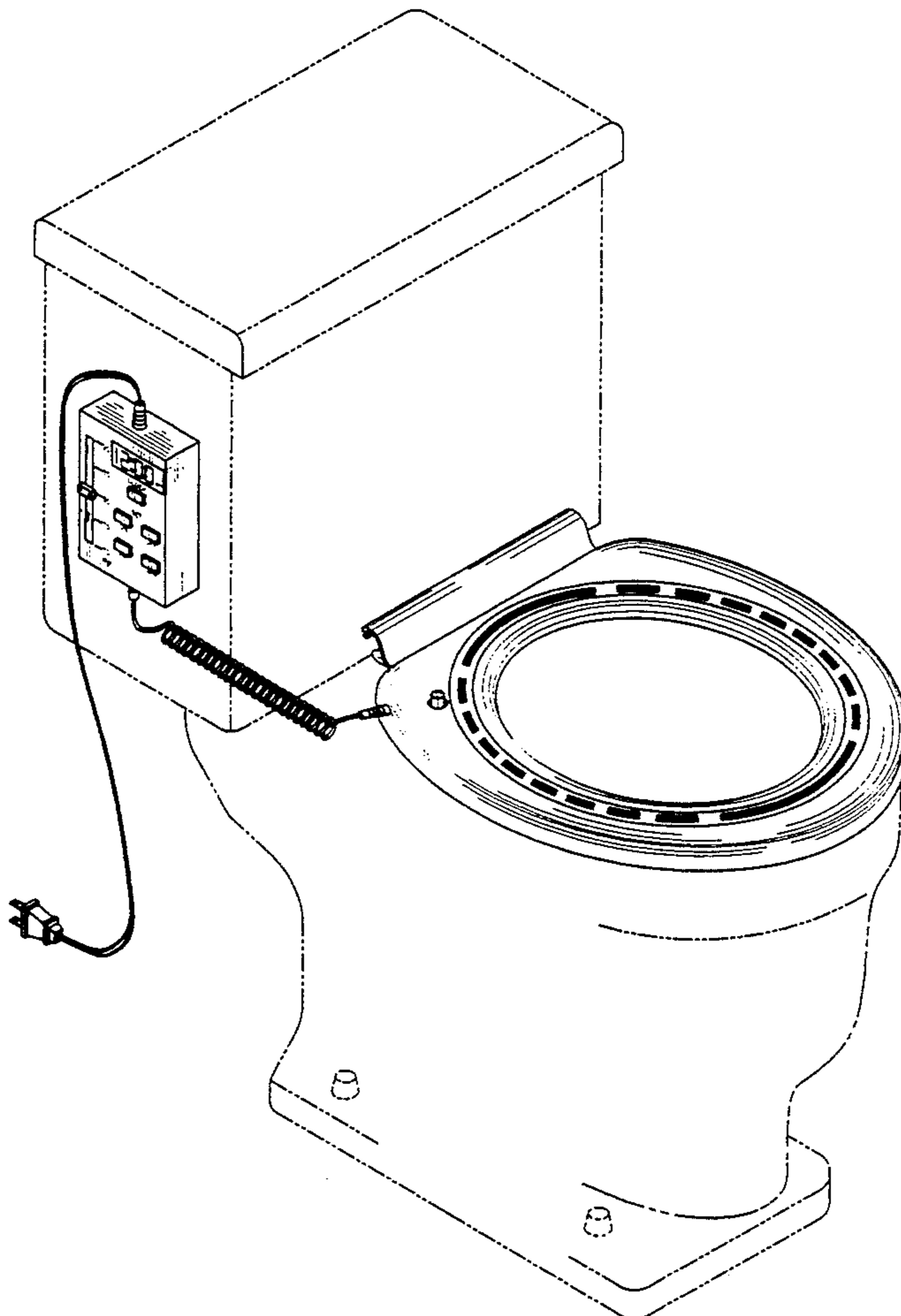


FIG. 1

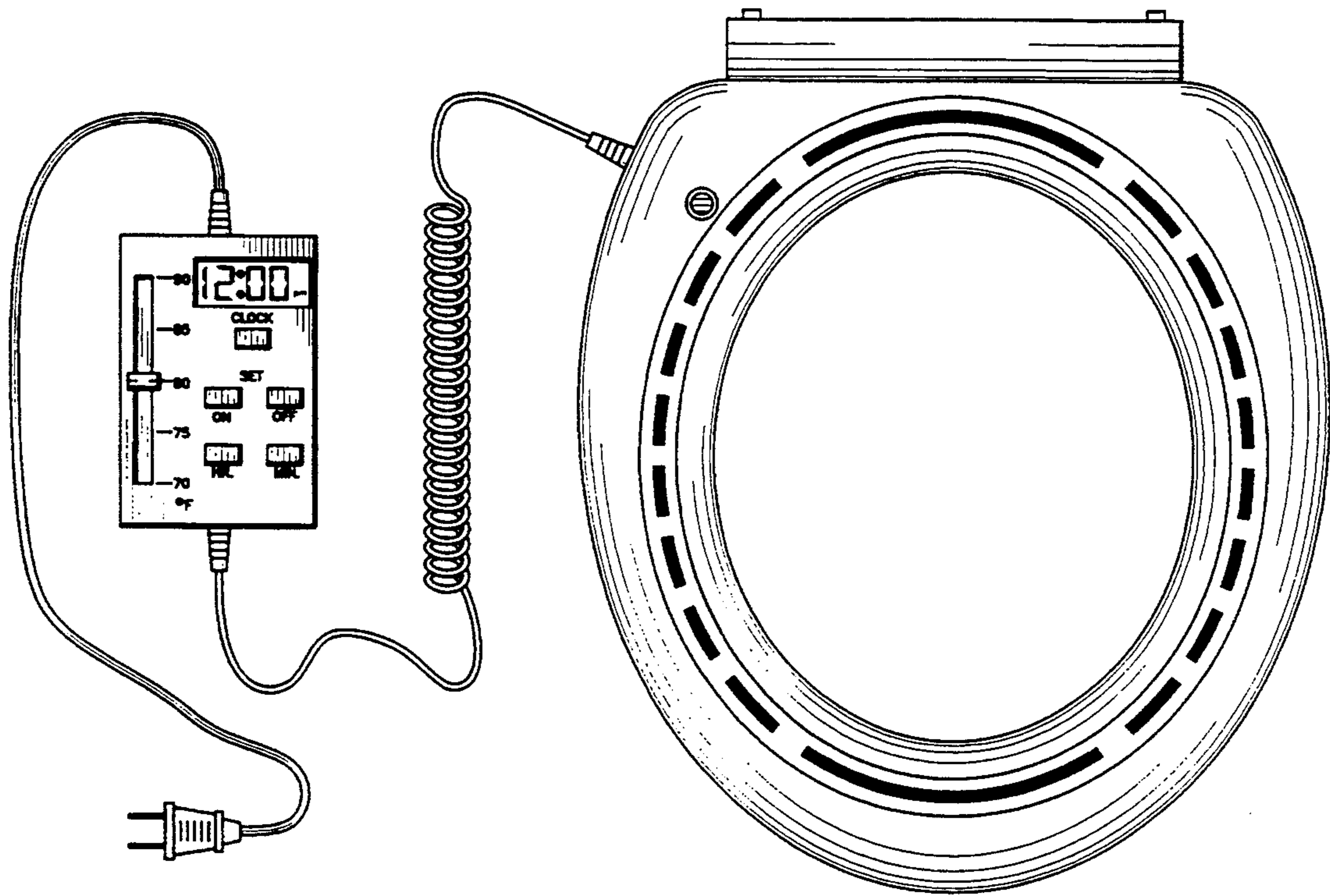


FIG. 2

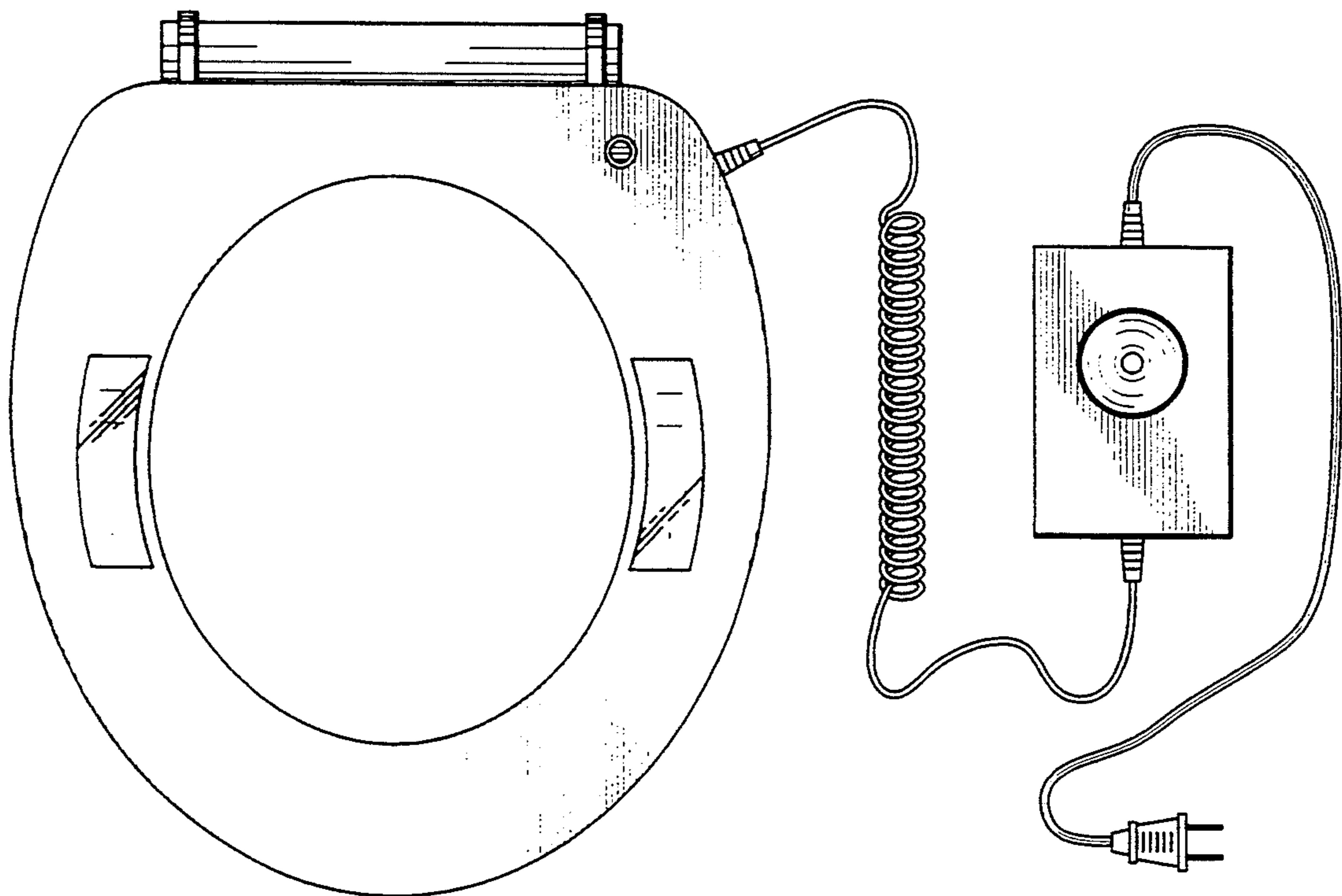


FIG. 3

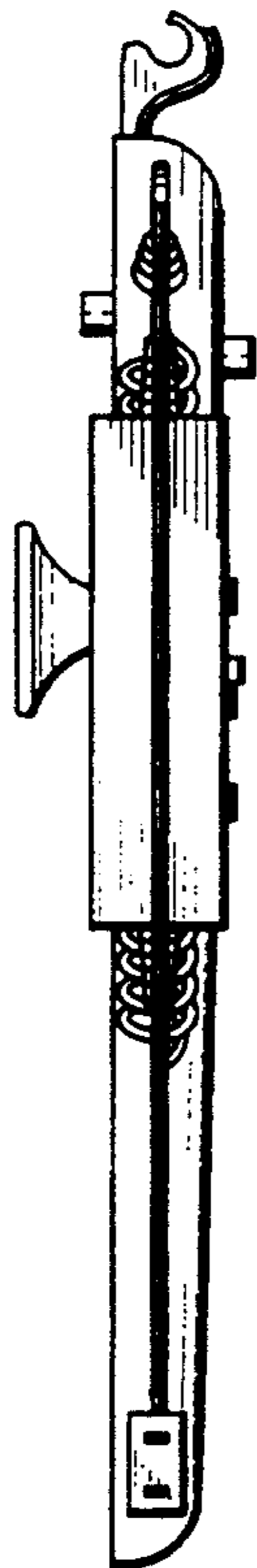


FIG. 4

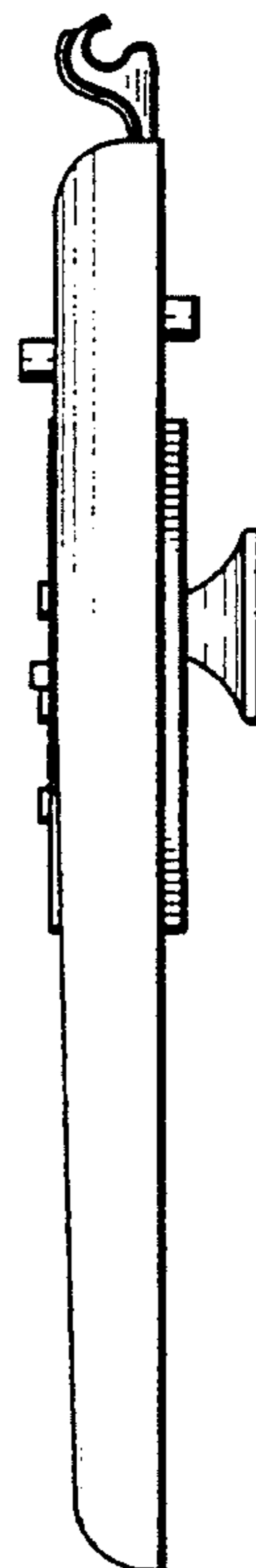


FIG. 5

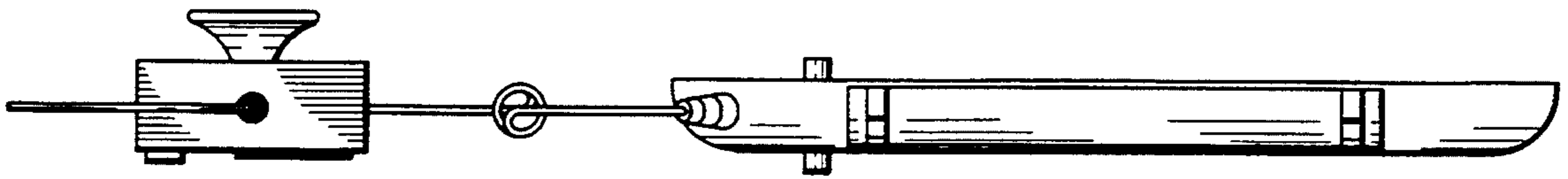


FIG. 6

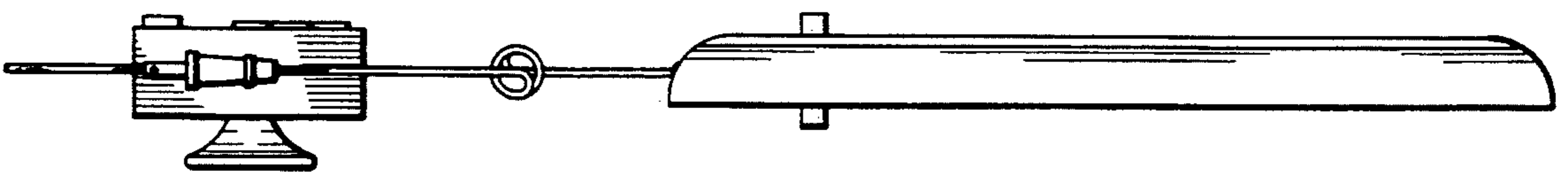


FIG. 7

