



US00D349759S

United States Patent [19]

[11] Patent Number: **Des. 349,759**

Baig

[45] Date of Patent: **** Aug. 16, 1994**

[54] **SANITARY WATER CLOSET**

[76] Inventor: **Usman M. Baig, 5 Danae Ct., Holmdel, N.J. 07733**

[**] Term: **14 Years**

[21] Appl. No.: **1,709**

[22] Filed: **Nov. 20, 1992**

[52] U.S. Cl. **D23/295**

[58] Field of Search **4/239, 248, 254; D23/245, 246, 295**

D. 323,880	2/1992	McKeone et al.	D23/295
2,182,979	12/1939	Bruzenak	4/905 X
3,908,202	9/1975	Sargent	4/905 X
240,930	8/1976	Kristofferson	D23/295
4,012,797	3/1977	Kristofferson	4/905 X
4,130,907	12/1978	Flegel	4/300

Primary Examiner—Stella Reid
Assistant Examiner—Eric Watterson
Attorney, Agent, or Firm—Terry M. Gernstein

[57] CLAIM

The ornamental design for a sanitary water closet, as shown and described.

DESCRIPTION

FIG. 1 is a front, top and side perspective view of the sanitary water closet embodying the design of the present invention;

FIG. 2 is a front elevational view thereof, the rear being a mirror image of the front shown in FIG. 2;

FIG. 3 is an end elevational view thereof;

FIG. 4 is an end elevational view thereof;

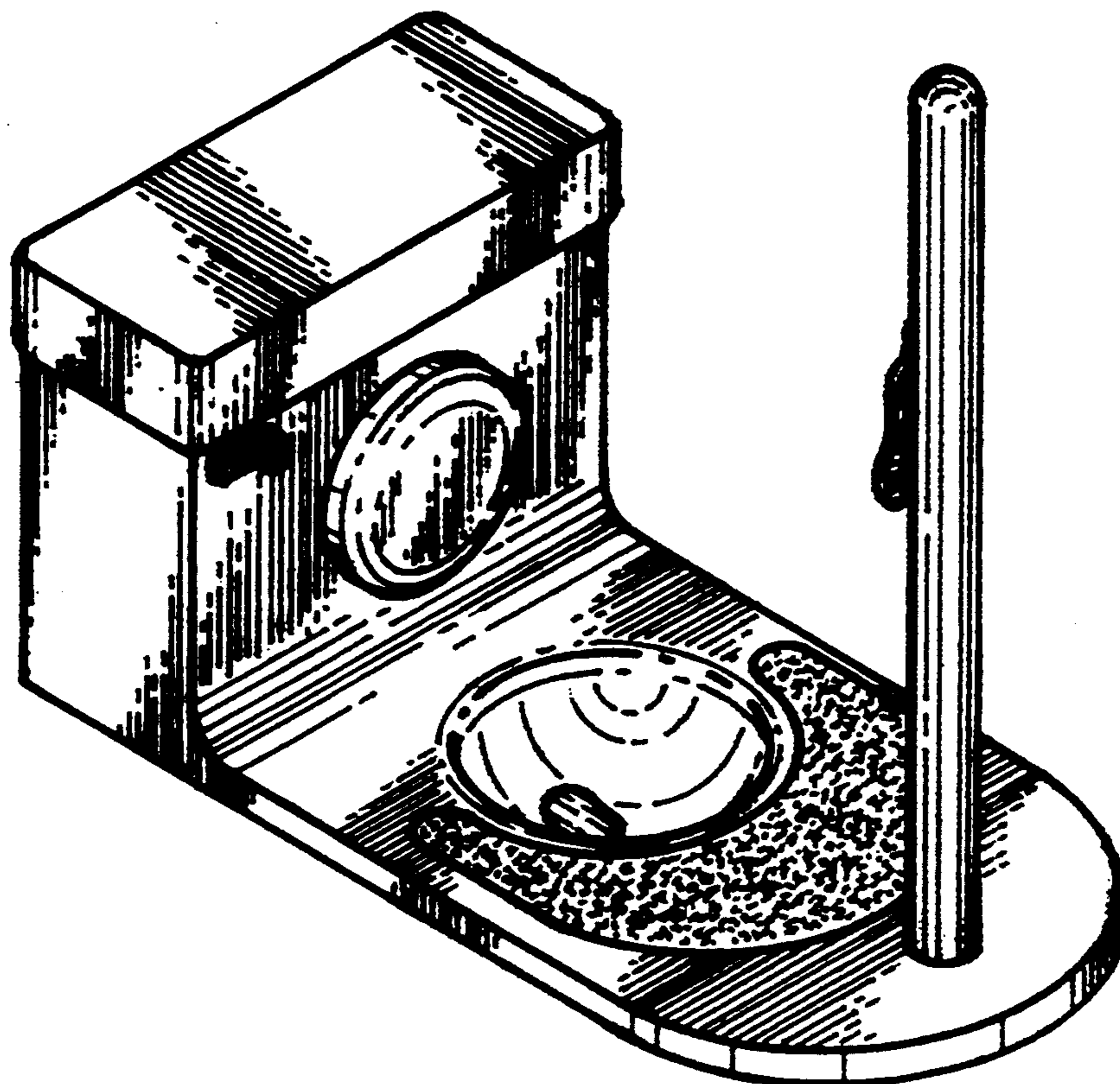
FIG. 5 is a top plan view thereof; and,

FIG. 6 is a bottom plan view thereof.

[56] References Cited

U.S. PATENT DOCUMENTS

D. 63,998	2/1924	Ek	D23/295
D. 116,810	9/1939	Uphues	D23/301
D. 130,581	12/1941	Hoffman	D23/295
D. 160,222	9/1950	Skidmore	D23/301
D. 260,425	9/1981	Macuikiewicz	D23/311
D. 296,817	7/1988	Holscher	D23/301
D. 309,939	8/1990	Yuetot	D23/301



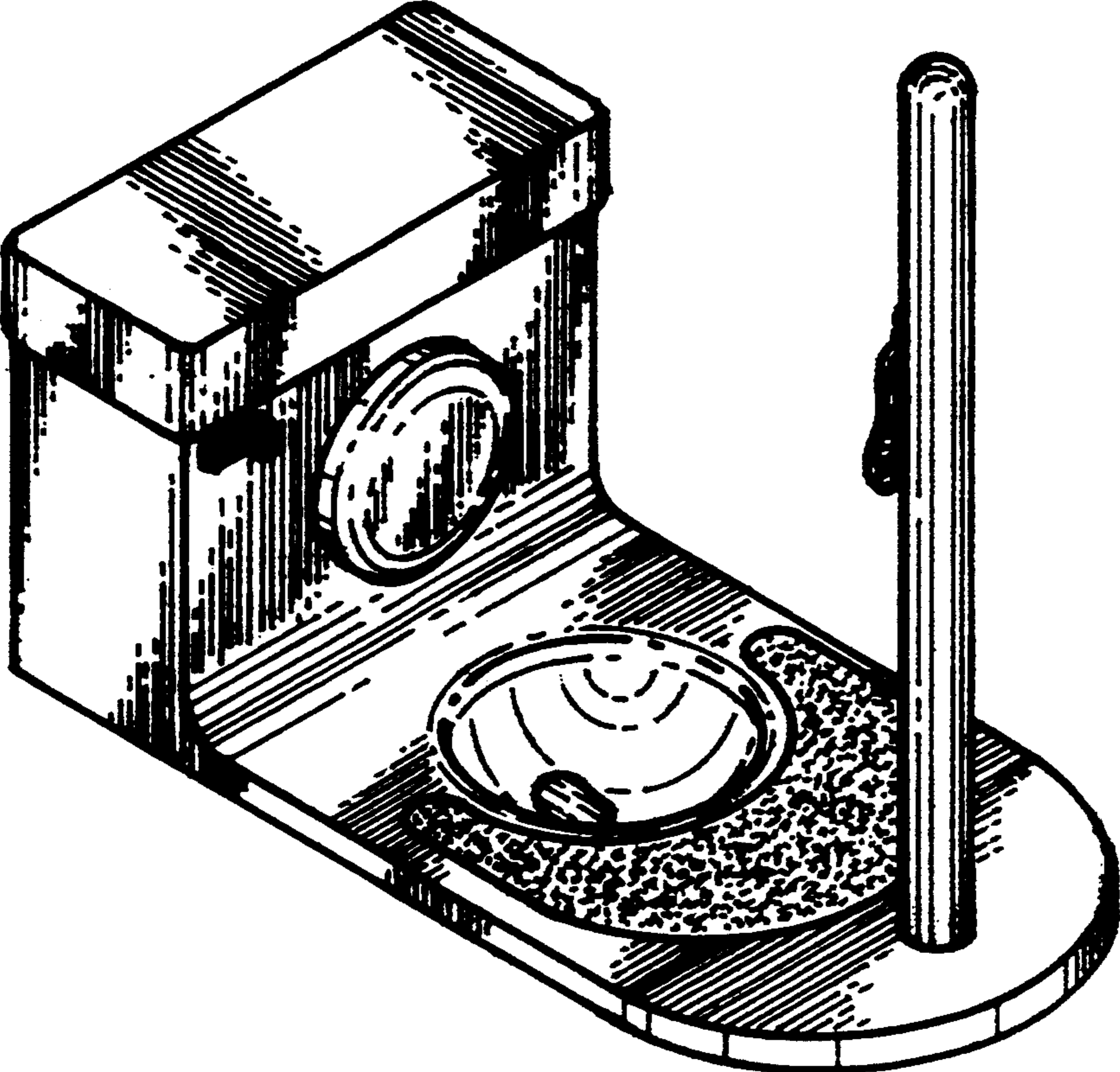


FIG. 1

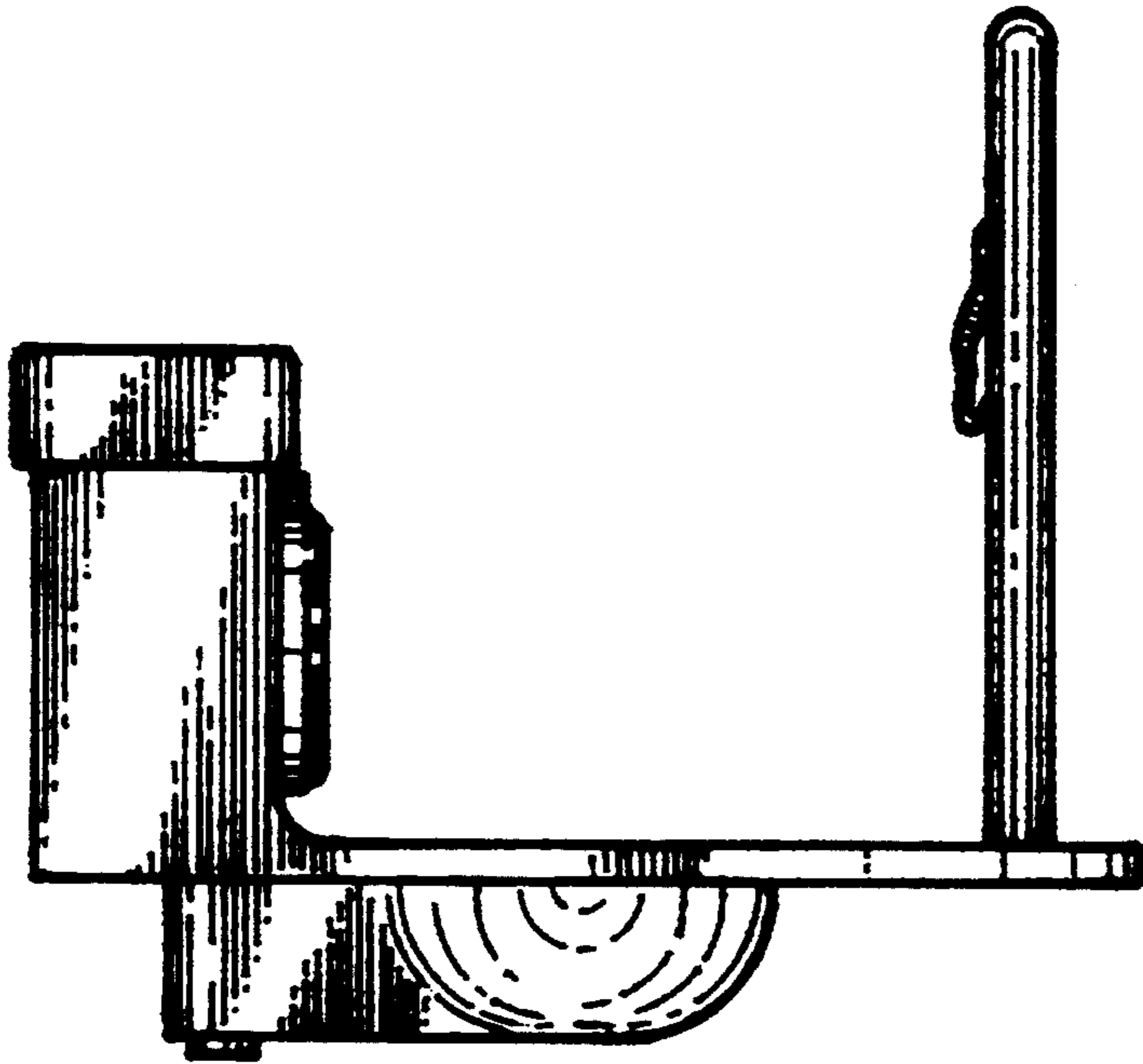


FIG. 2

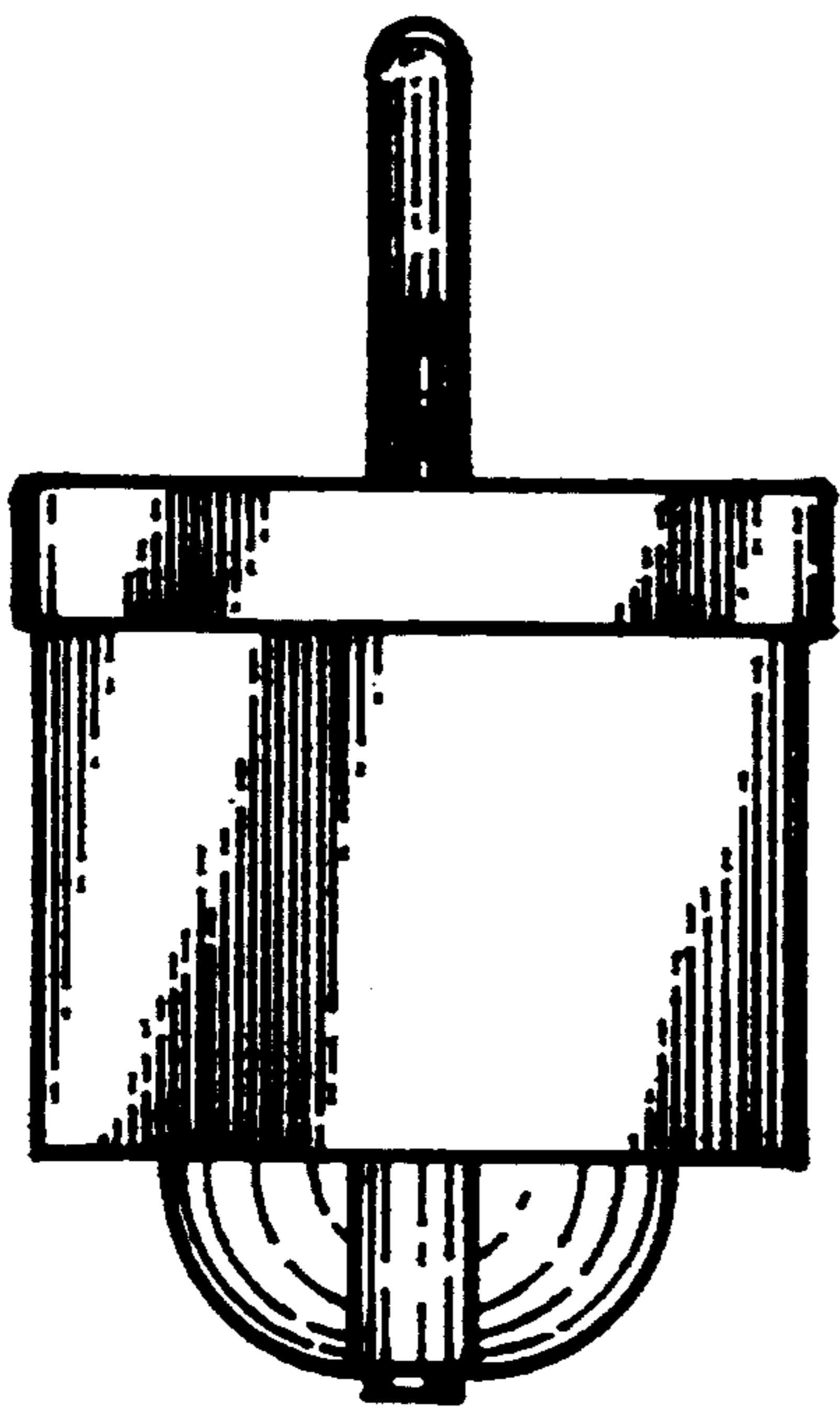


FIG. 3

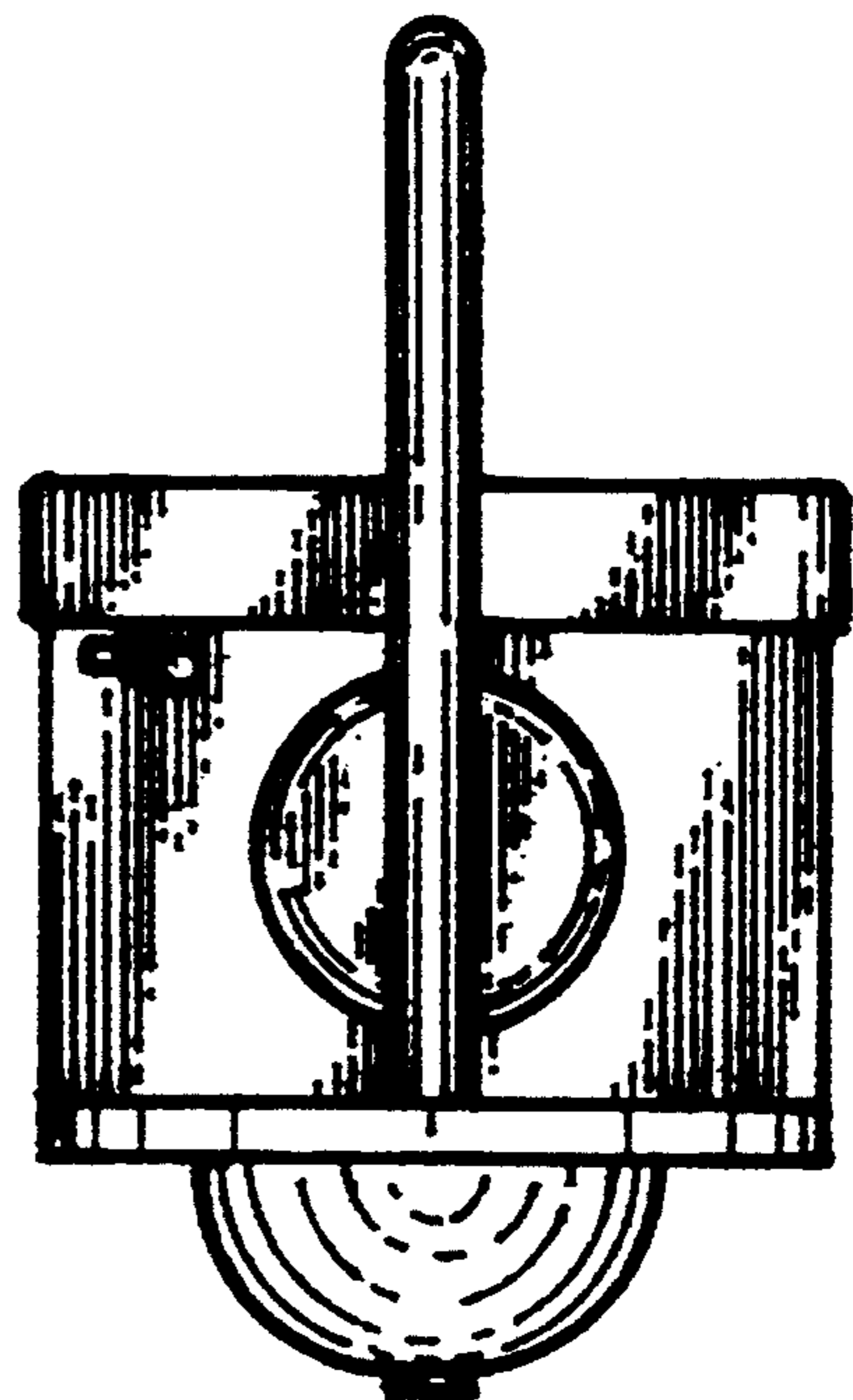


FIG. 4

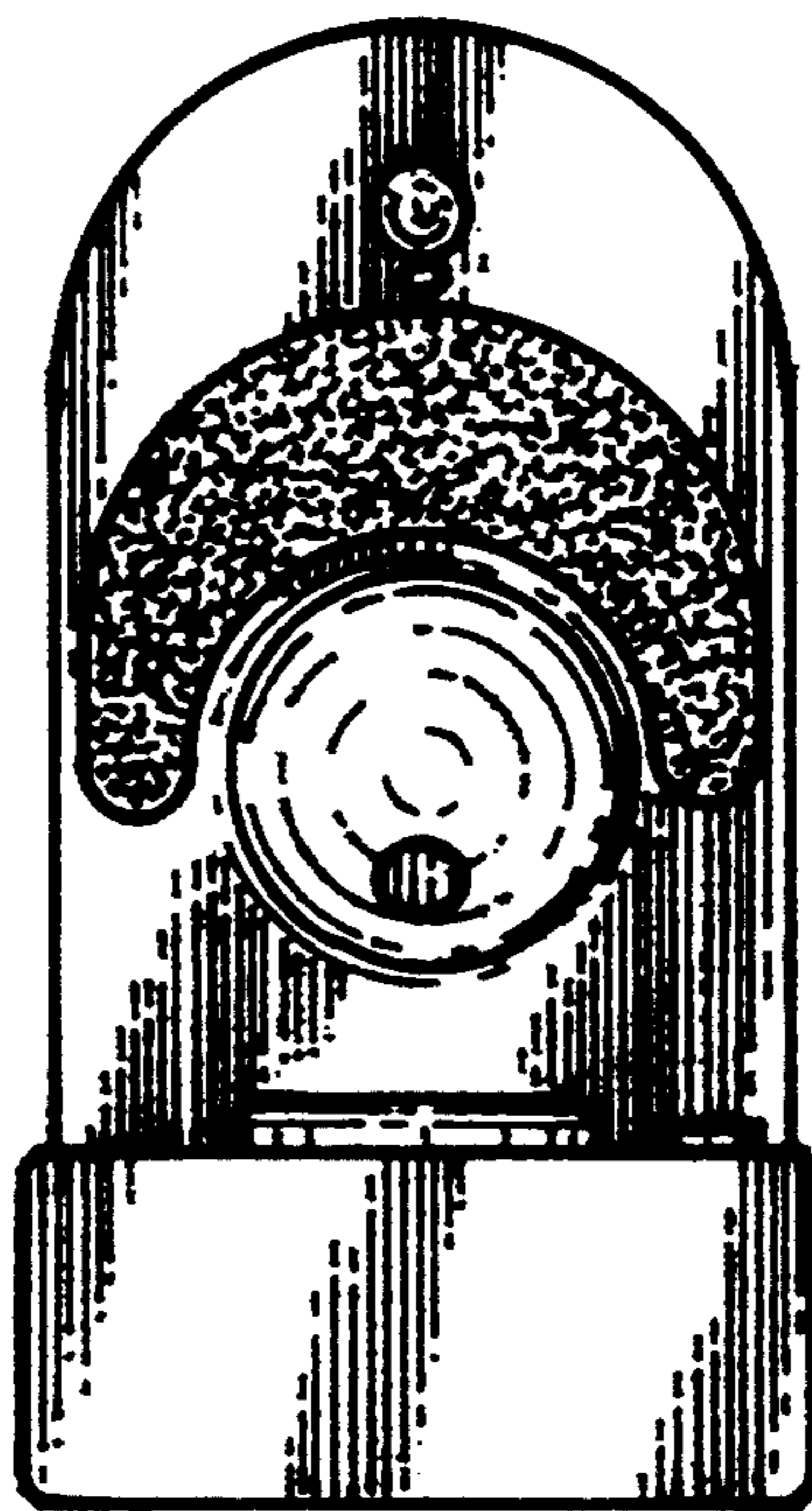


FIG. 5

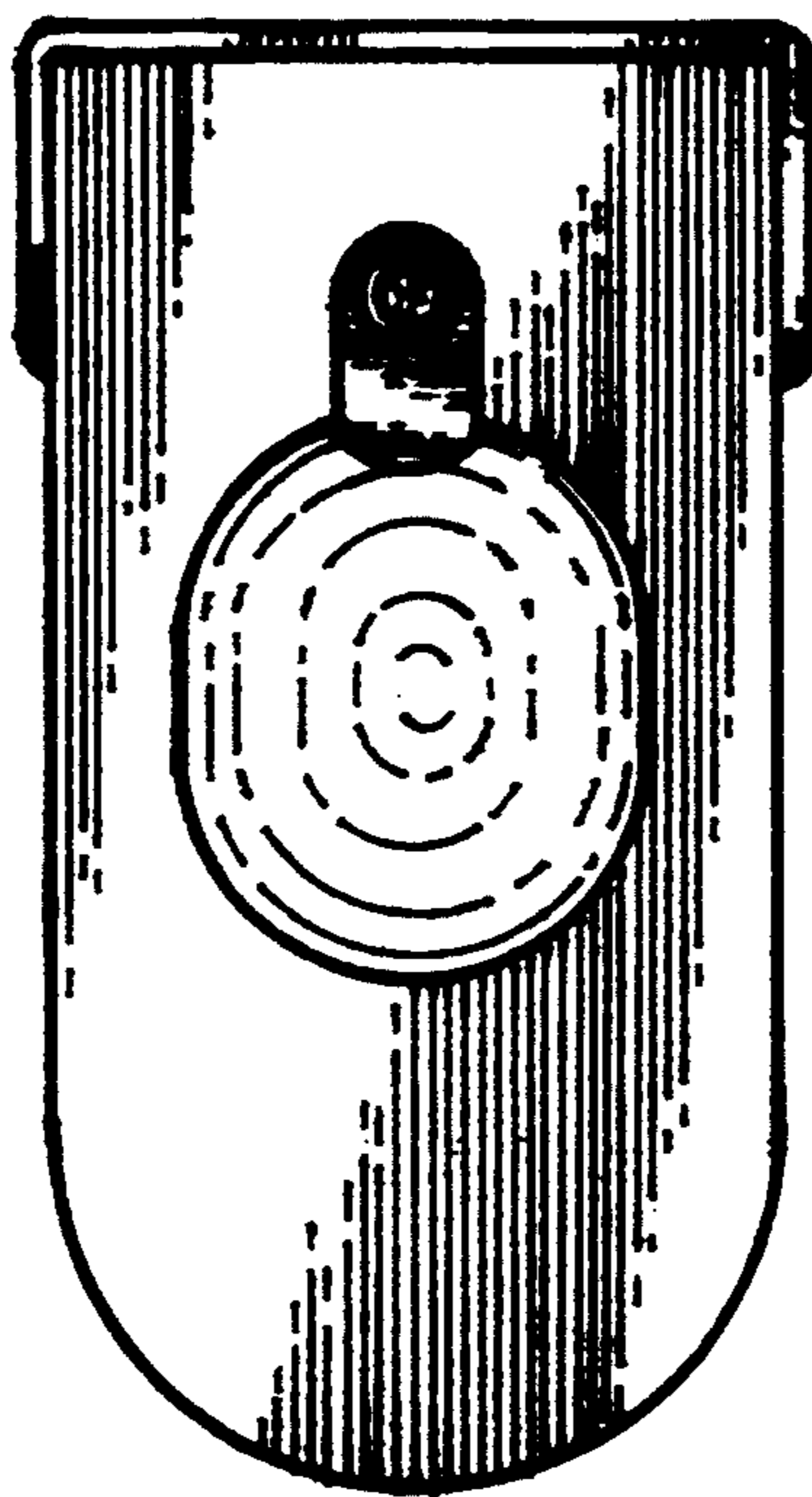


FIG. 6