



US00D349758S

# United States Patent [19]

Hallbach et al.

[11] Patent Number: Des. 349,758

[45] Date of Patent: \*\* Aug. 16, 1994

[54] COLLET

[75] Inventors: **Raymond L. Hallbach**, Simpsonville, S.C.; **Robert C. Dreisig**, West Chester; **David I. McDonald**, Cincinnati, both of Ohio

[73] Assignee: **Cincinnati Milacron Inc.**, Cincinnati, Ohio

[\*\*] Term: 14 Years

[21] Appl. No.: 873,043

[22] Filed: Apr. 23, 1992

[52] U.S. Cl. .... D23/259

[58] Field of Search ..... 279/46.1, 46.2, 46.3, 279/46.5, 46.6, 46.4, 54, 55, 62, 60, 66; D23/259-269

### [56] References Cited

#### U.S. PATENT DOCUMENTS

Re. 253,318	1/1963	Benjamin et al. .	
D. 128,314	7/1941	Kelly .....	D23/262
D. 271,112	10/1983	Wiott et al. .	
D. 308,118	5/1990	Brill .	
2,176,071	10/1939	Holl .....	279/54
2,214,241	9/1940	Baxendole .....	279/46.3
2,398,924	4/1946	Daniels .	
2,778,650	1/1957	Benjamin et al. .	
2,817,535	12/1957	Linzell .....	279/55
2,896,956	7/1959	Ann .....	279/46.5
2,935,329	5/1960	Hessler .....	279/46.3

2,965,380	12/1960	Benjamin .	
3,277,569	10/1966	Verhoeven .....	29/568
3,619,898	11/1971	Perry et al. ....	29/568
3,789,501	2/1974	Kurimoto et al. ....	29/568
3,817,541	5/1974	Grabher et al. ....	279/1
3,934,890	1/1976	Buzzi .	
3,958,685	5/1976	McDonald et al. .	
4,116,325	9/1978	McDonald .	
4,858,980	8/1989	Dreisig et al. ....	294/99.1

### OTHER PUBLICATIONS

Single page photocopy-tool pocket brochure of Regina Industria, s.r.l., Milan, Italy (no date).

*Primary Examiner*—Stella Reid

*Assistant Examiner*—Eric Watterson

*Attorney, Agent, or Firm*—Thomas M. Farrell

### [57] CLAIM

The ornamental design for a collet, as shown and described.

### DESCRIPTION

FIG. 1 is an end view of a collet;  
 FIG. 2 is the left side elevational view of the collet of FIG. 1; the right side elevational view is identical to the left;  
 FIG. 3 is the top plan view of the collet of FIG. 1;  
 FIG. 4 is the bottom plan view of the collet of FIG. 1;  
 FIG. 5 is the opposite end view of the collet of FIG. 1; and,  
 FIG. 6 is a sectional view, taken along the line 6—6 of FIG. 1.

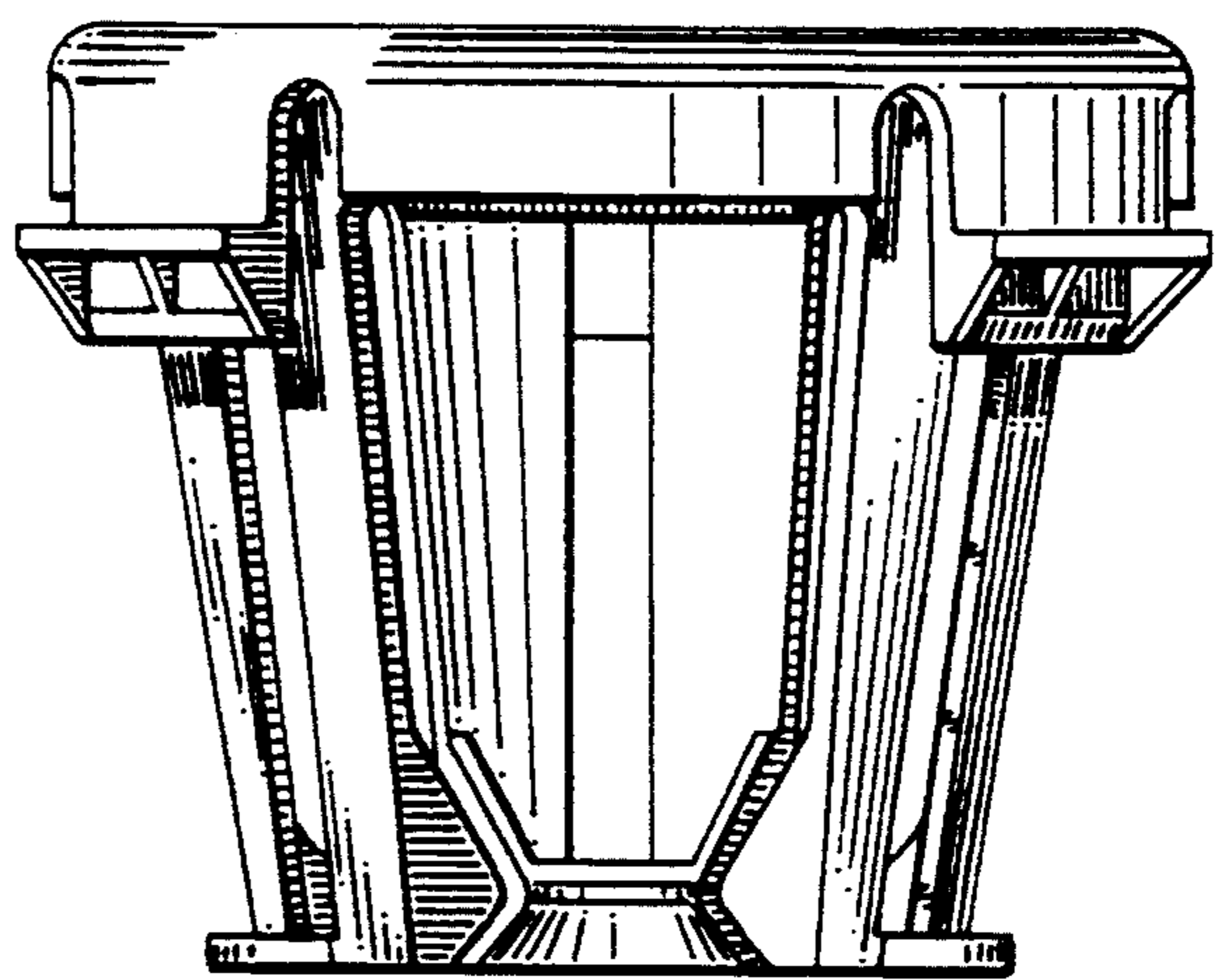
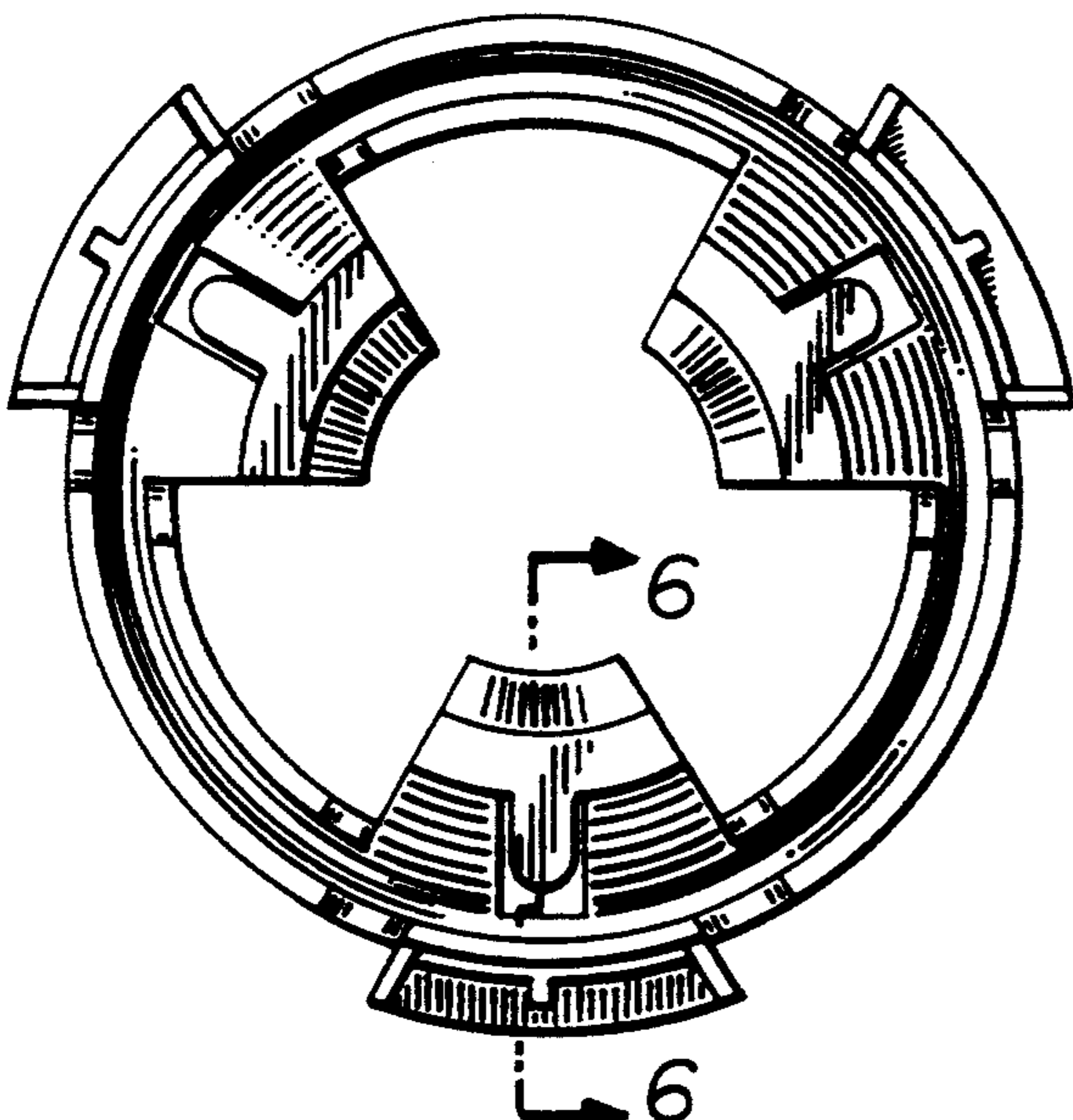




FIG. 6

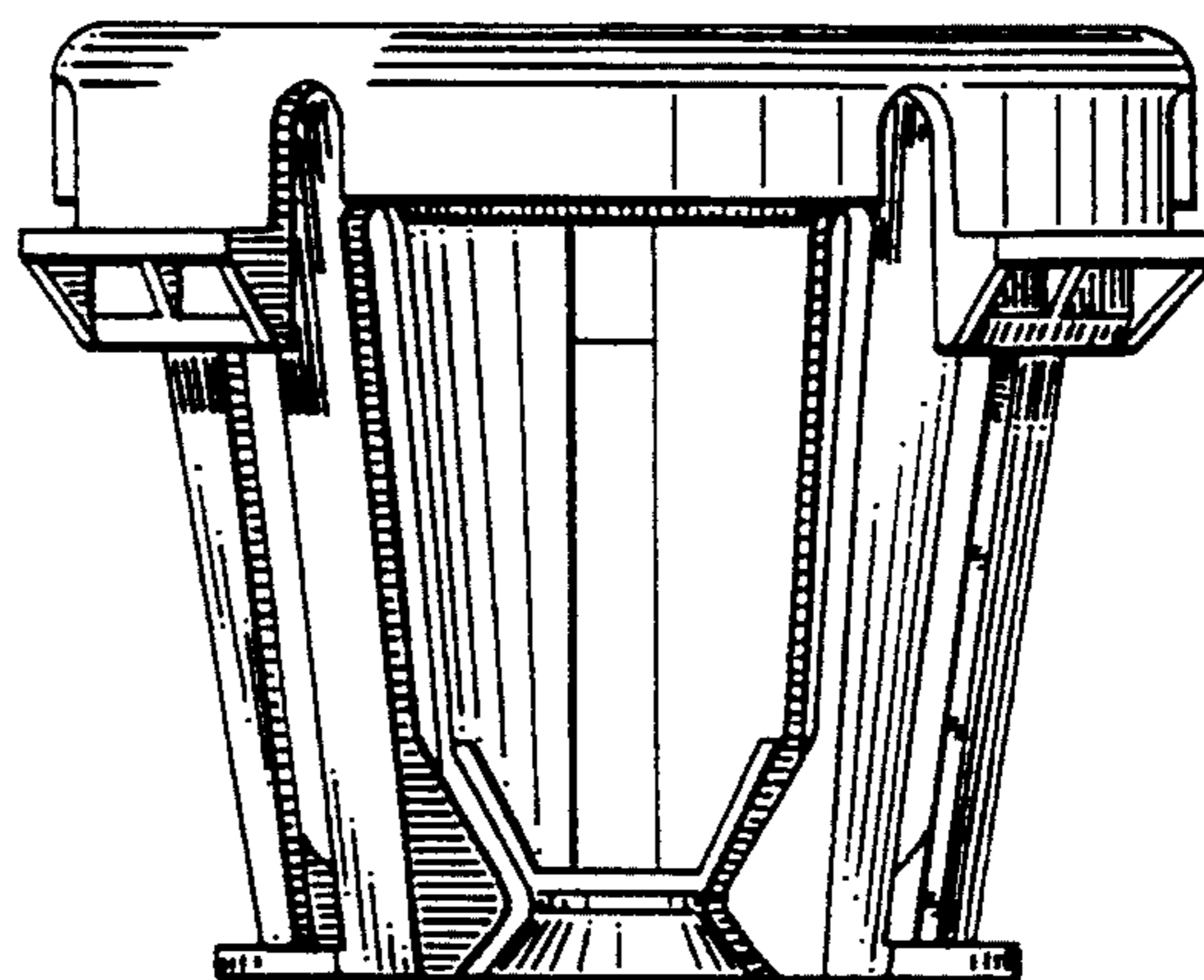


FIG. 3

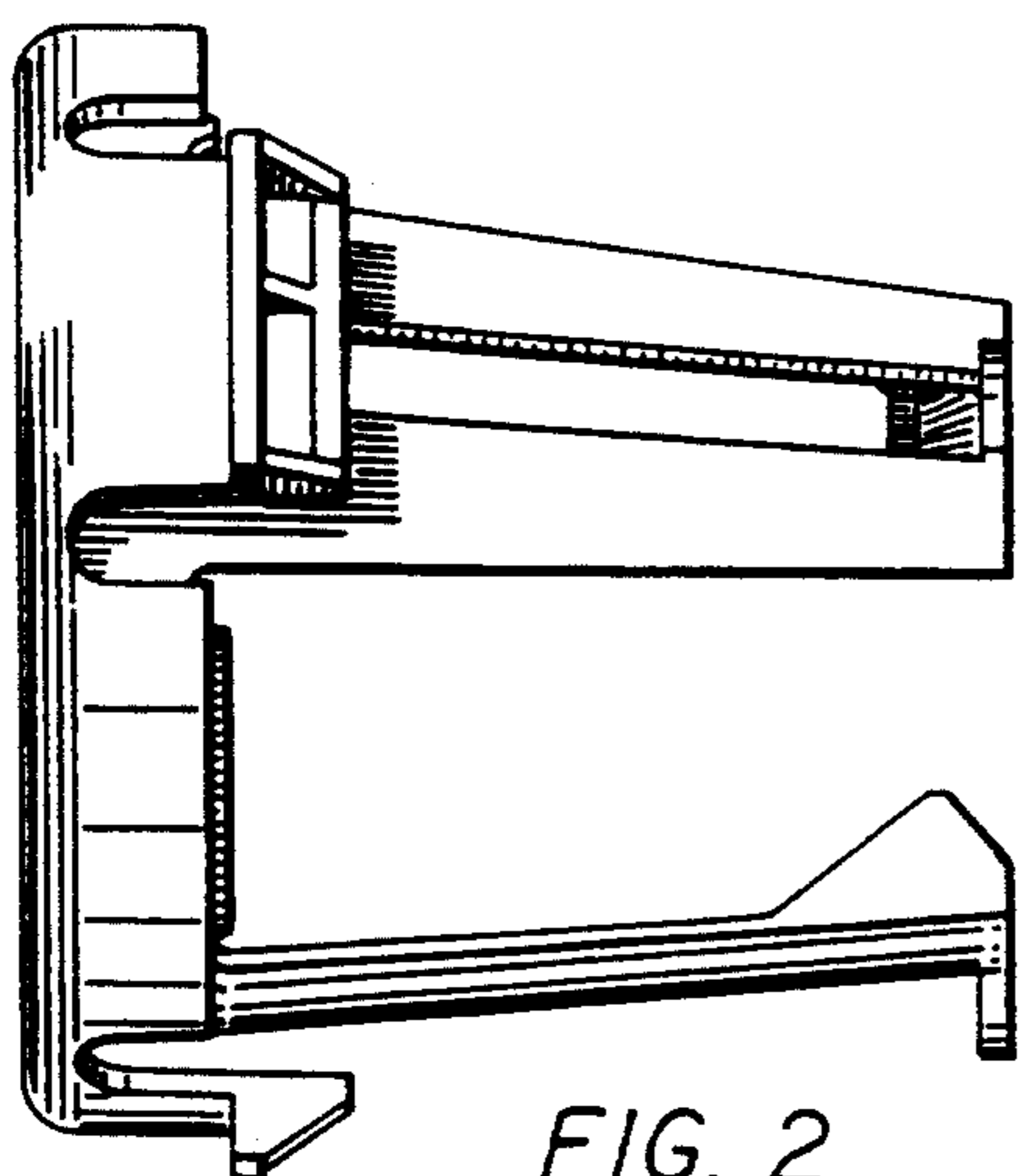


FIG. 2

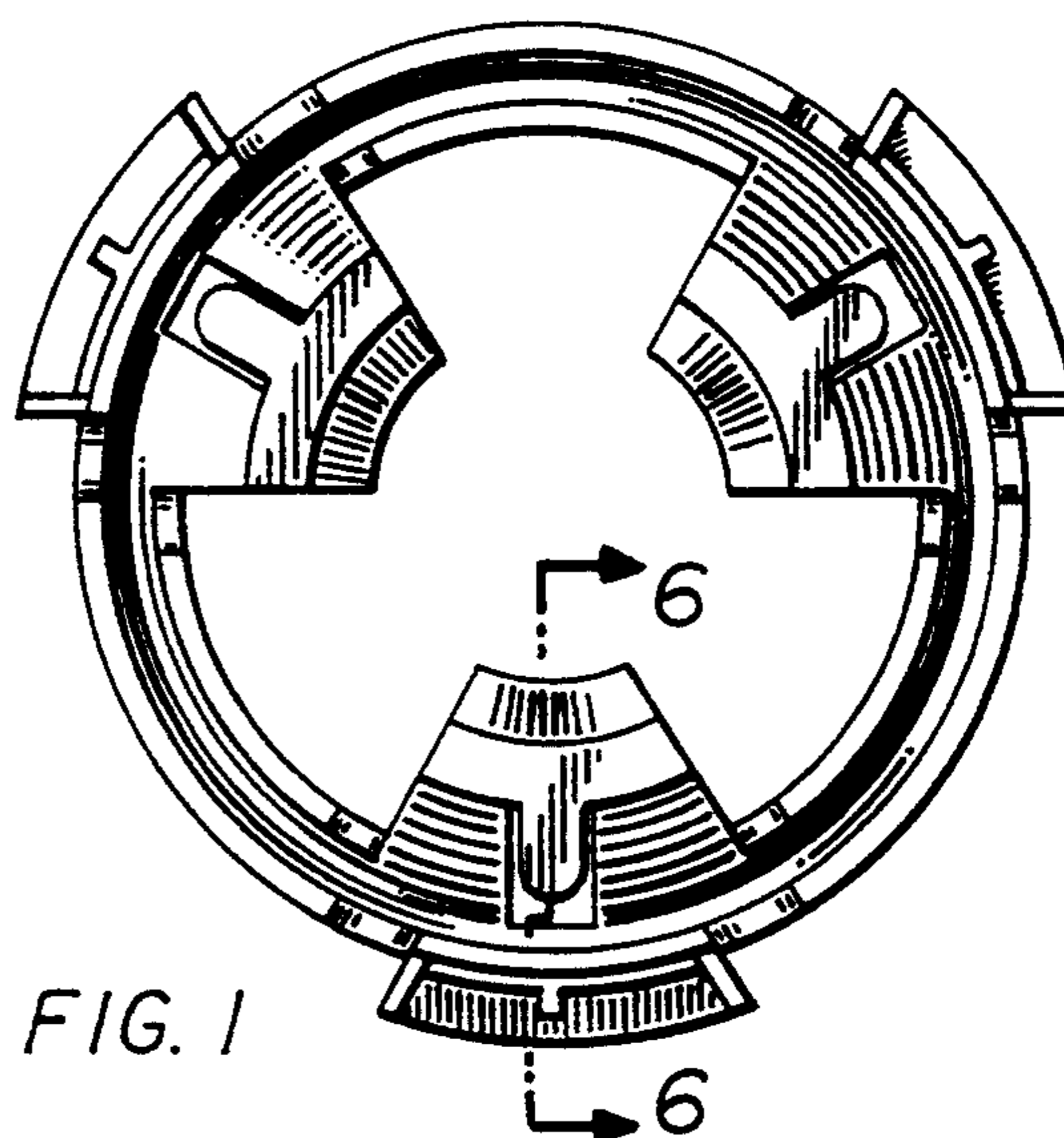


FIG. 1

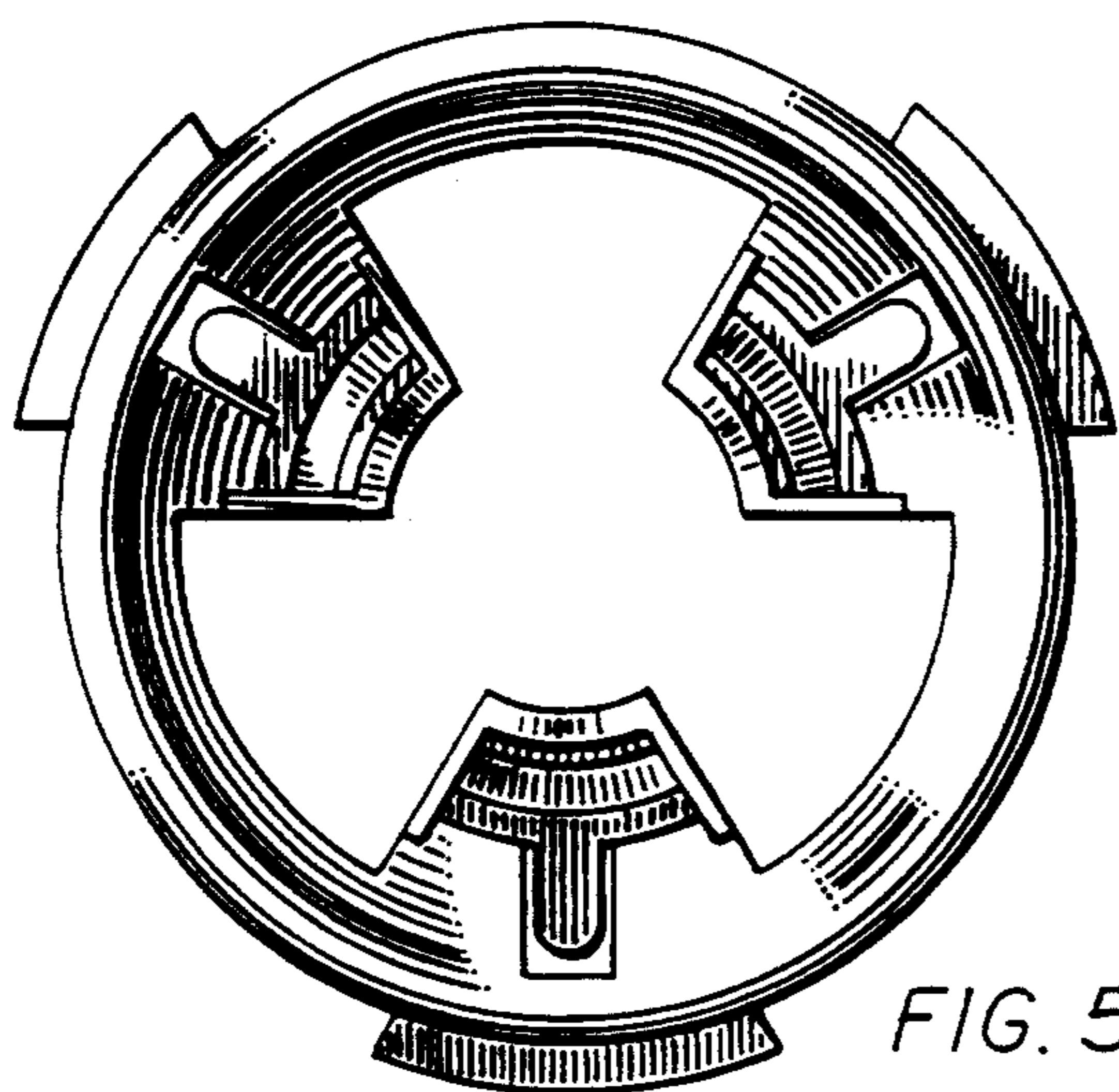


FIG. 5

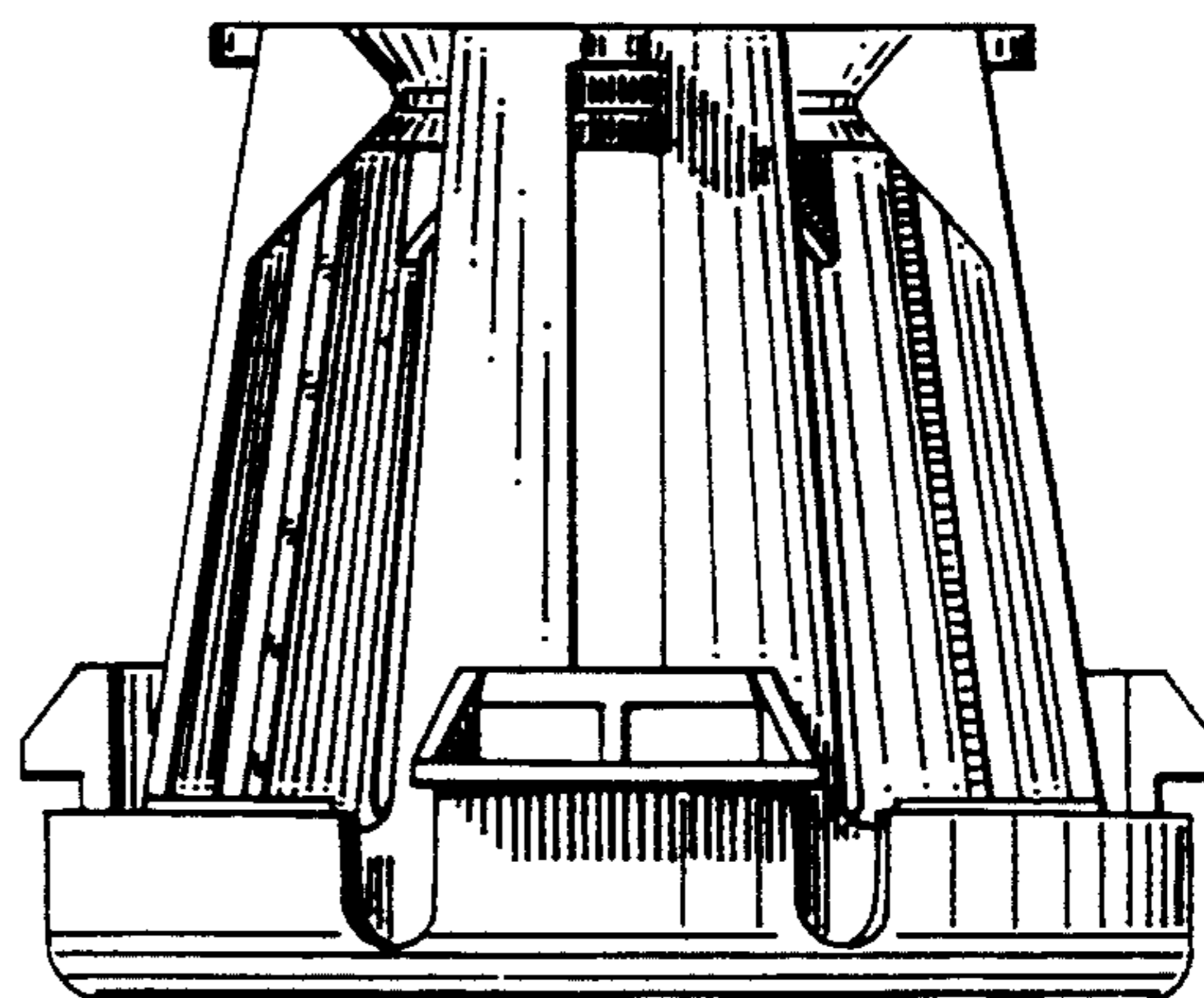


FIG. 4