



US00D349752S

# United States Patent [19]

[11] Patent Number: **Des. 349,752**

Christen

[45] Date of Patent: **\*\* Aug. 16, 1994**

## [54] ROTATING SPINNER IRRIGATION SPRINKLER

*Assistant Examiner*—Robin V. Taylor  
*Attorney, Agent, or Firm*—Kelly Bauersfeld & Lowry

[75] Inventor: **Hans D. Christen**, La Verne, Calif.

## [57] CLAIM

[73] Assignee: **Rain Bird Sprinkler Mfg. Corp.**,  
Glendora, Calif.

The ornamental design for a rotating spinner irrigation sprinkler, as shown and described.

[\*\*] Term: **14 Years**

## DESCRIPTION

[21] Appl. No.: **14,452**

FIG. 1 is a perspective view taken from the top, front right side of a rotating spinner irrigation sprinkler embodying my new design;

[22] Filed: **Oct. 19, 1993**

[52] U.S. Cl. .... **D23/214**

FIG. 2 is a top plan view thereof;

[58] Field of Search ..... 239/200-206,  
239/222.11-222.21, 230-233, 273, 275-276,  
288, 288.3, 288.5, 443-444, 456, 550-552,  
556-558; 169/37; D23/214-221

FIG. 3 is a front elevational view thereof;

FIG. 4 is a rear elevational view thereof;

FIG. 5 is a bottom plan view thereof;

FIG. 6 is a right side elevational view thereof;

## [56] References Cited

### U.S. PATENT DOCUMENTS

D. 259,438	6/1981	Meyer	.....	D23/214
D. 260,169	8/1981	Vikre	.....	D23/214
D. 269,034	5/1983	Wood	.....	D23/214
D. 271,791	12/1983	Healy	.....	D23/214
D. 303,138	8/1989	Smith	.....	D23/214
4,796,811	1/1989	Davisson	.....	239/231

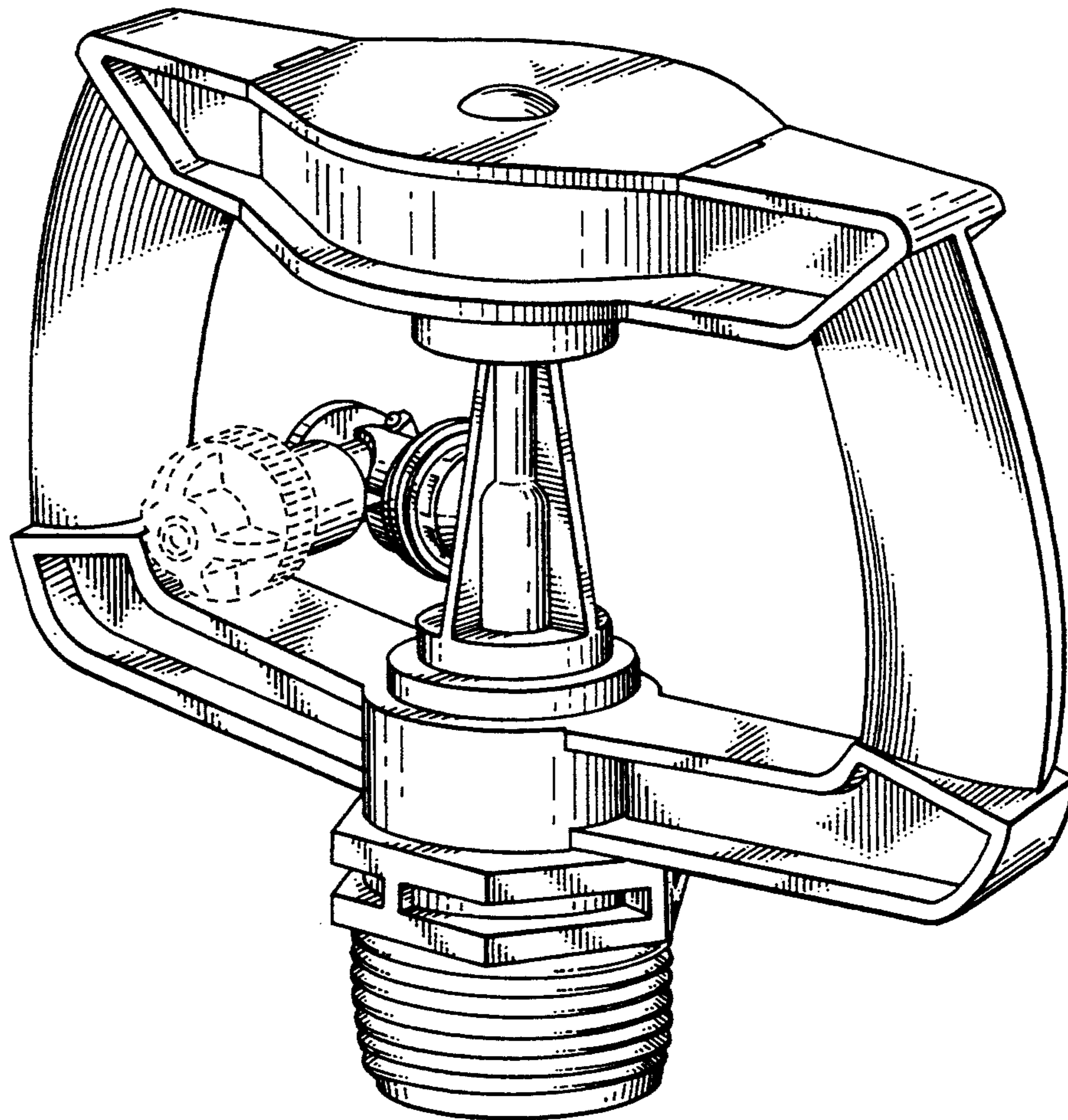
FIG. 7 is a left side elevational view thereof with portions of the support bridge broken away to show portions not otherwise seen;

FIG. 8 is a cross-sectional view thereof taken substantially along the line 8—8 of FIG. 3; and,

FIG. 9 is a cross-sectional view thereof taken substantially along the line 9—9 of FIG. 3.

The broken line representation of a nozzle in FIG. 1 is for purposes of illustration only and forms no part of the claimed design.

*Primary Examiner*—Wallace R. Burke



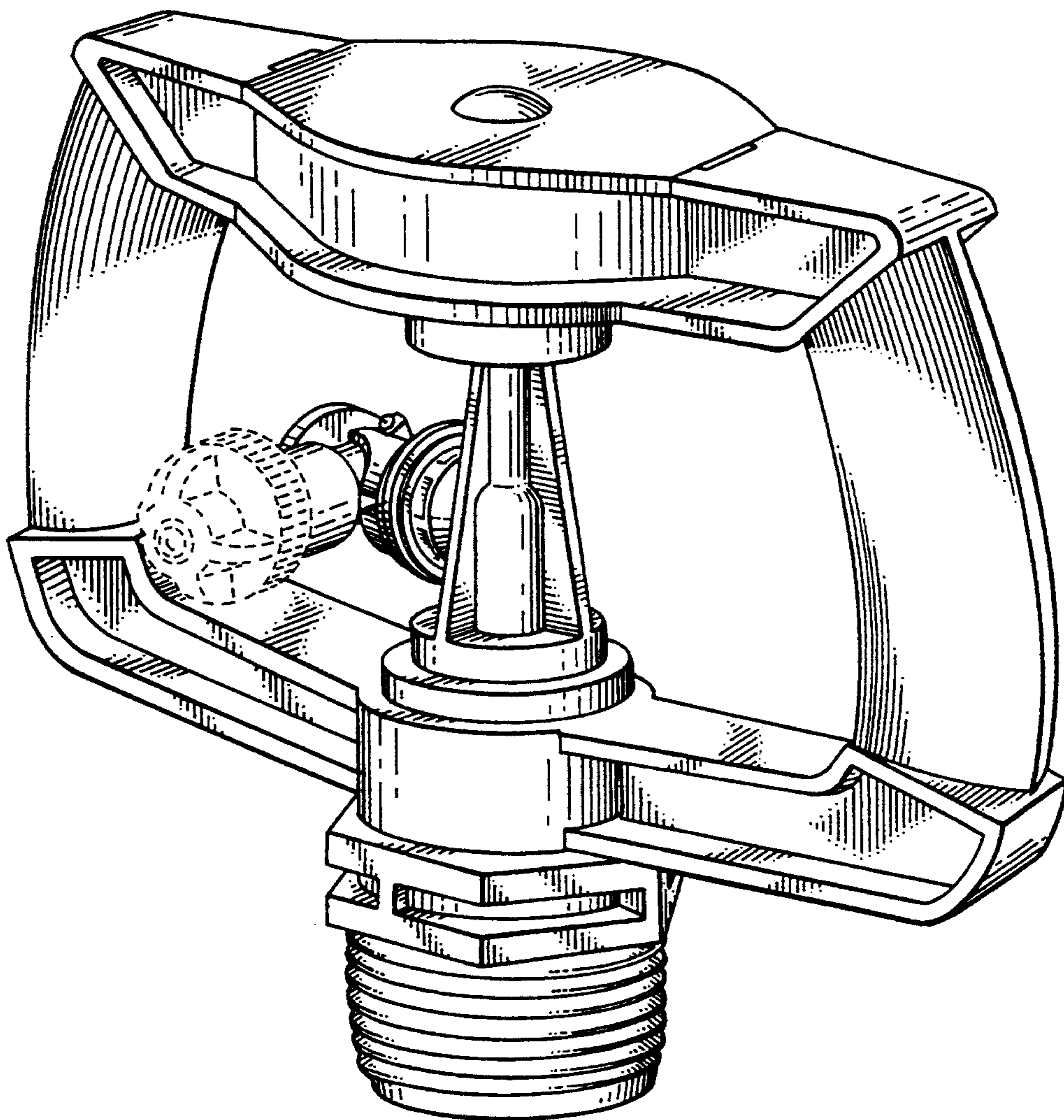


FIG. 1

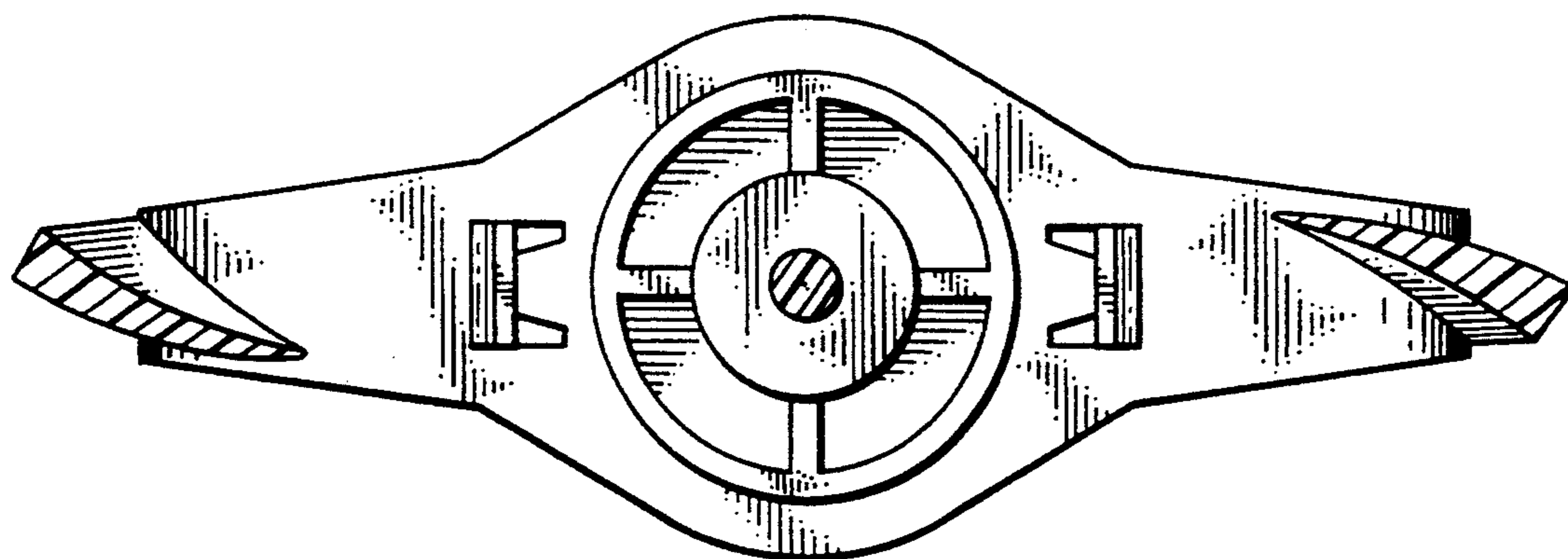


FIG. 9

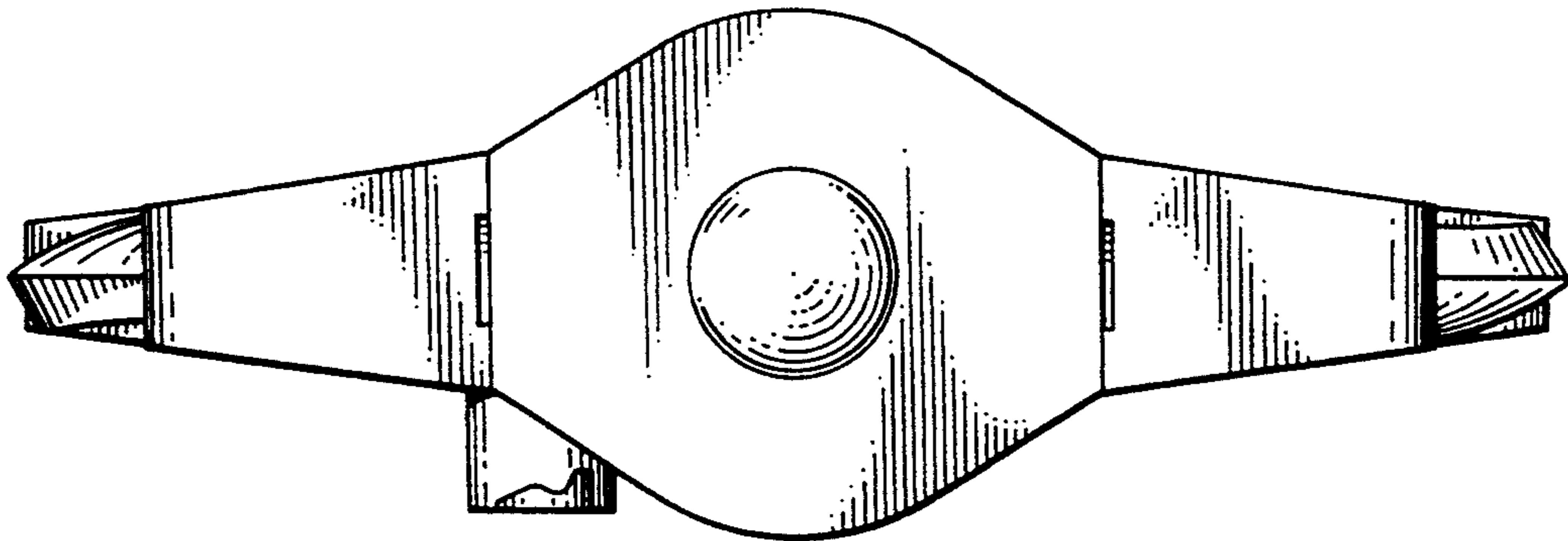


FIG. 2

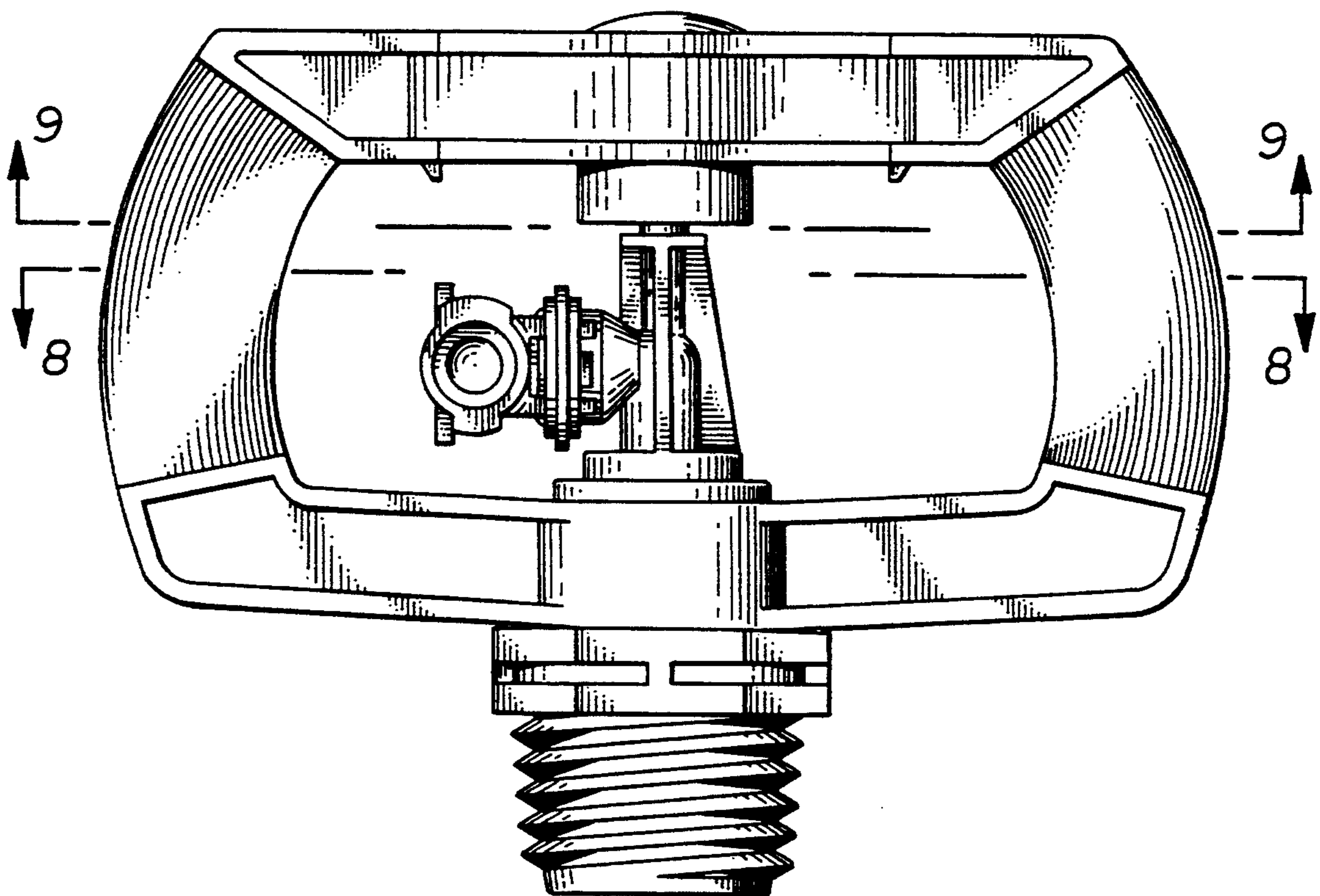


FIG. 3

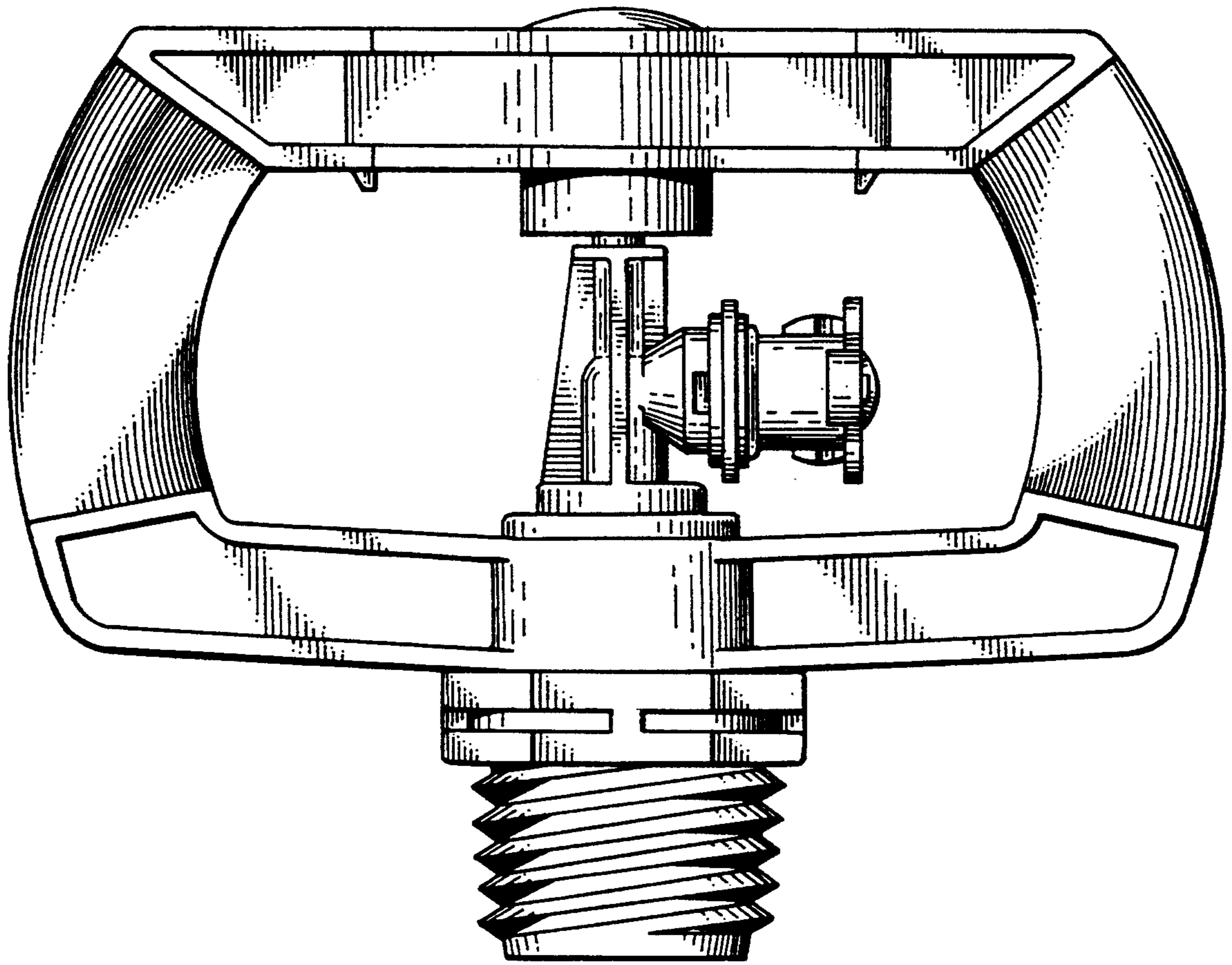


FIG. 4

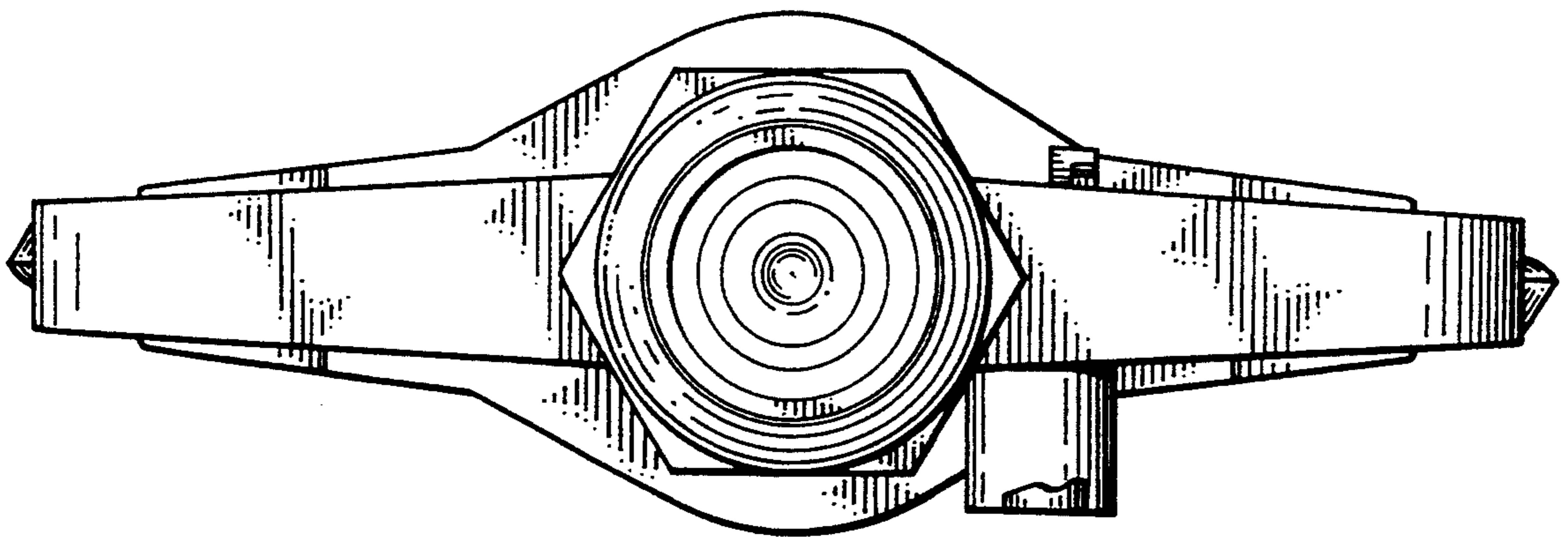


FIG. 5

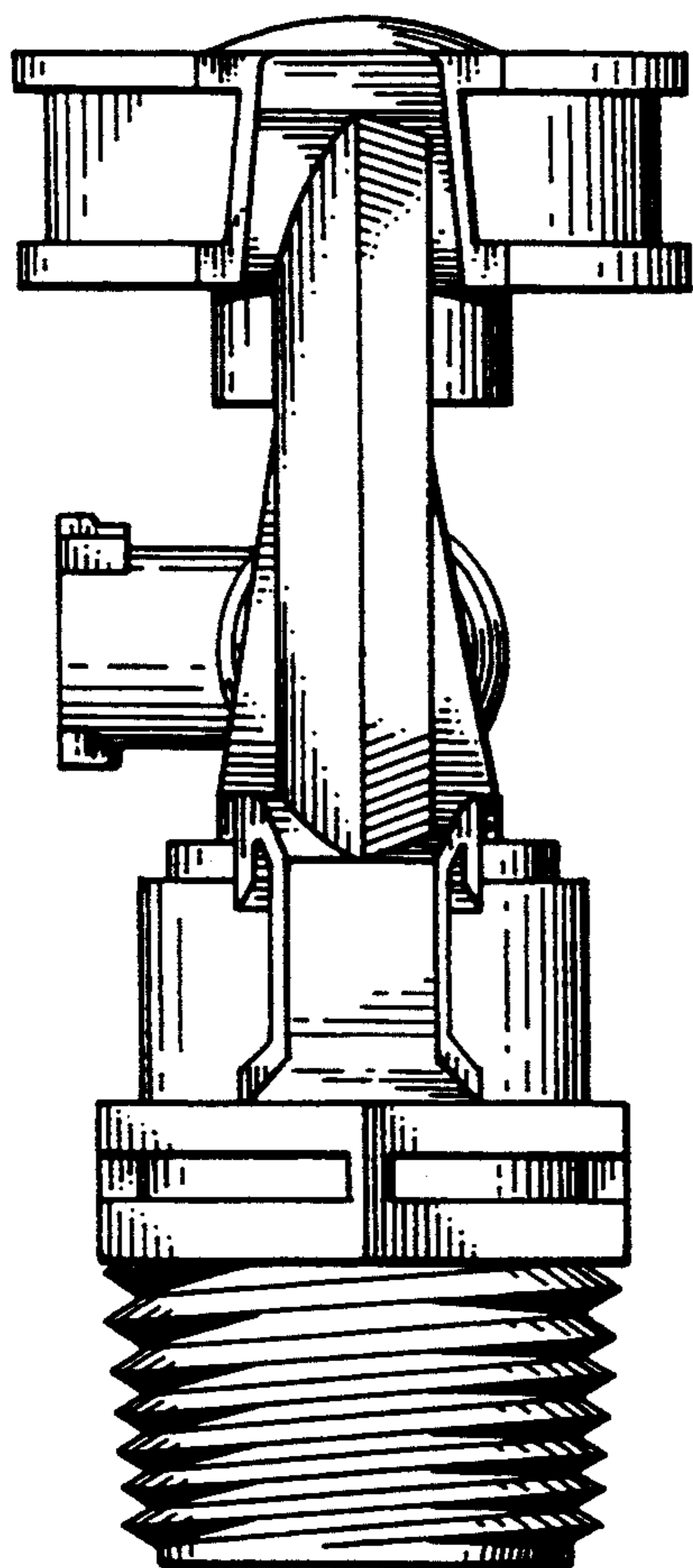


FIG. 6

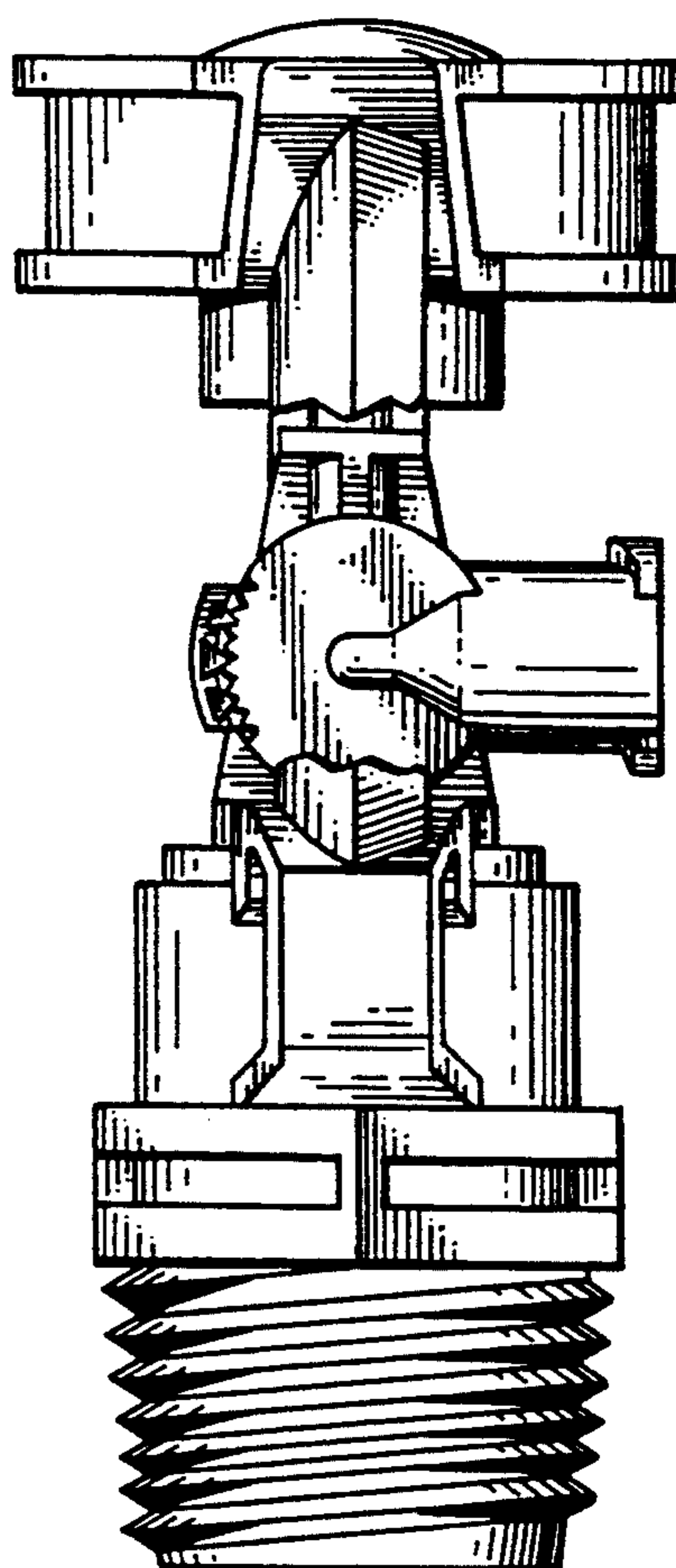


FIG. 7

FIG. 8

