



US00D349748S

United States Patent [19]
Lucero

[11] **Patent Number: Des. 349,748**
[45] **Date of Patent: ** Aug. 16, 1994**

[54] **ILLUMINATED FISHING POLE**
[76] Inventor: **Raymond A. Lucero**, 1505 La Fonda-Apt. 4012-Box 89, Las Cruces, N. Mex. 88001
[**] Term: **14 Years**
[21] Appl. No.: **886,489**
[22] Filed: **May 22, 1992**
[52] U.S. Cl. **D22/139; D22/142**
[58] Field of Search 43/22, 18.1, 18.5, 17.5, 43/20, 23; D22/139, 142

5,172,508 12/1992 Schmidt et al. 43/18.1

Primary Examiner—A. Hugo Word
Assistant Examiner—Doris V. Coles
Attorney, Agent, or Firm—Hugh E. Smith

[57] **CLAIM**

The ornamental design for an illuminated fishing pole, as shown and described.

DESCRIPTION

FIG. 1 is a front elevational view of an illuminated fishing pole, showing my new design;
FIG. 2 is a rear elevational view thereof;
FIG. 3 is a left side elevational view thereof;
FIG. 4 is a right side elevational view thereof;
FIG. 5 is a top plan view thereof;
FIG. 6 is a bottom plan view thereof; and,
FIG. 7 is an isometric view thereof.

[56] **References Cited**
U.S. PATENT DOCUMENTS
D. 297,558 9/1988 Myojo D22/142
4,505,063 3/1985 Price et al. 43/17.5 X
4,823,496 4/1989 Powell 43/17.5



FIG. 1

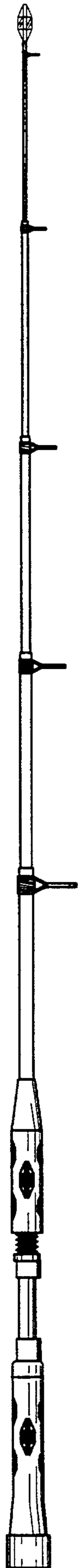


FIG. 2

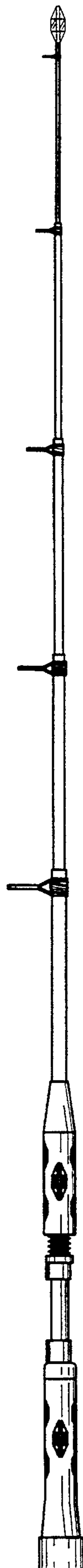


FIG. 3



FIG. 4



FIG. 5

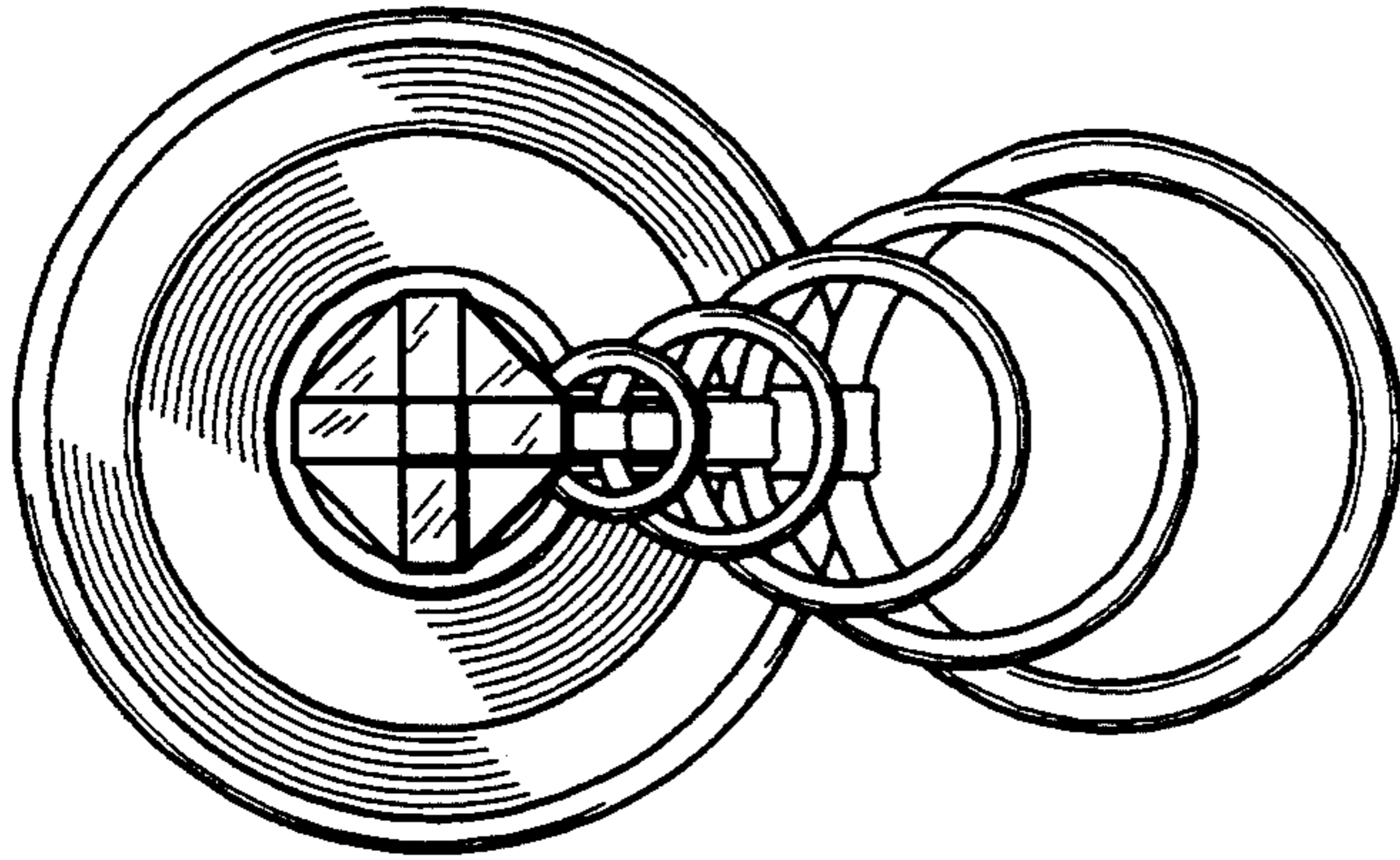
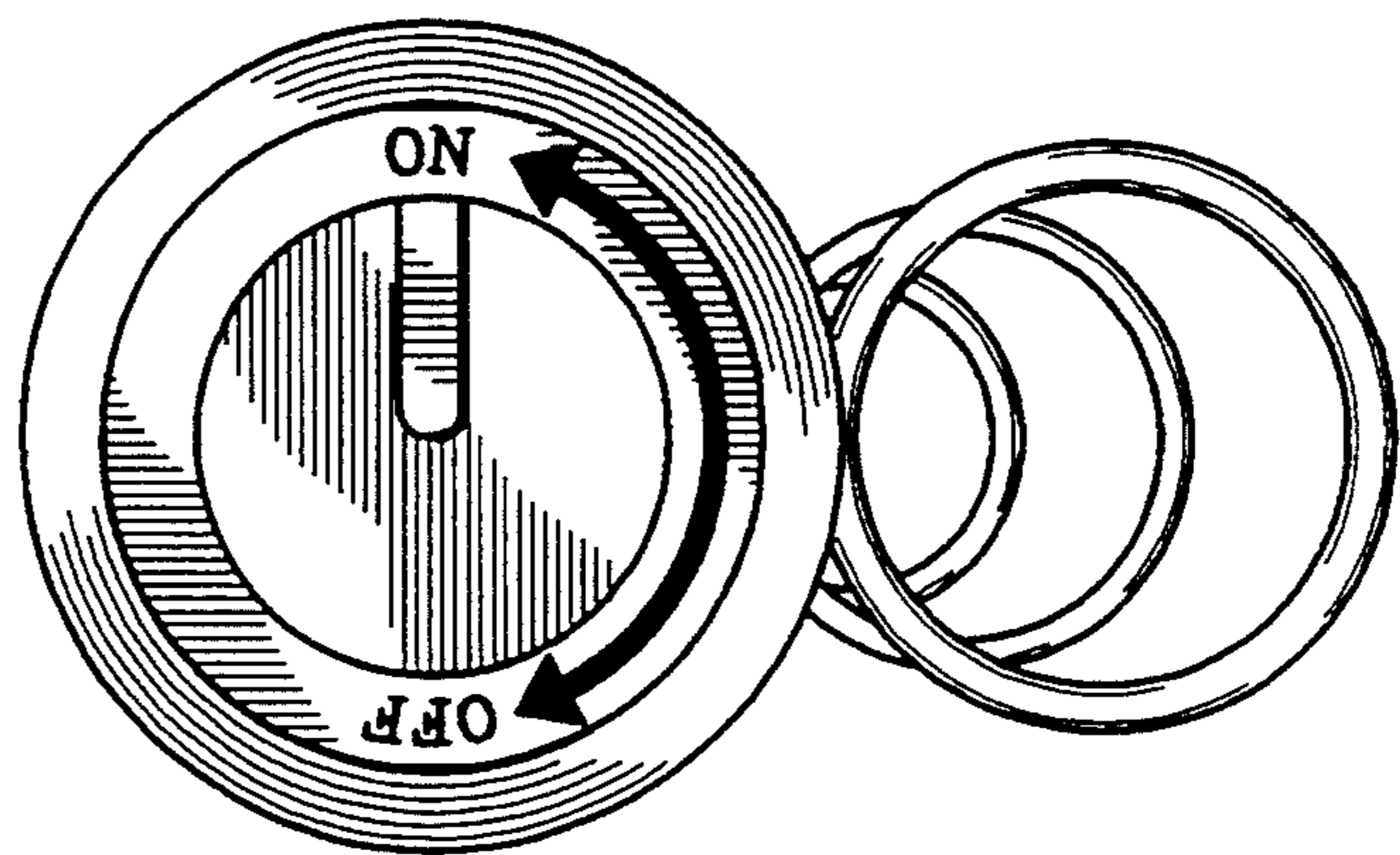


FIG. 6



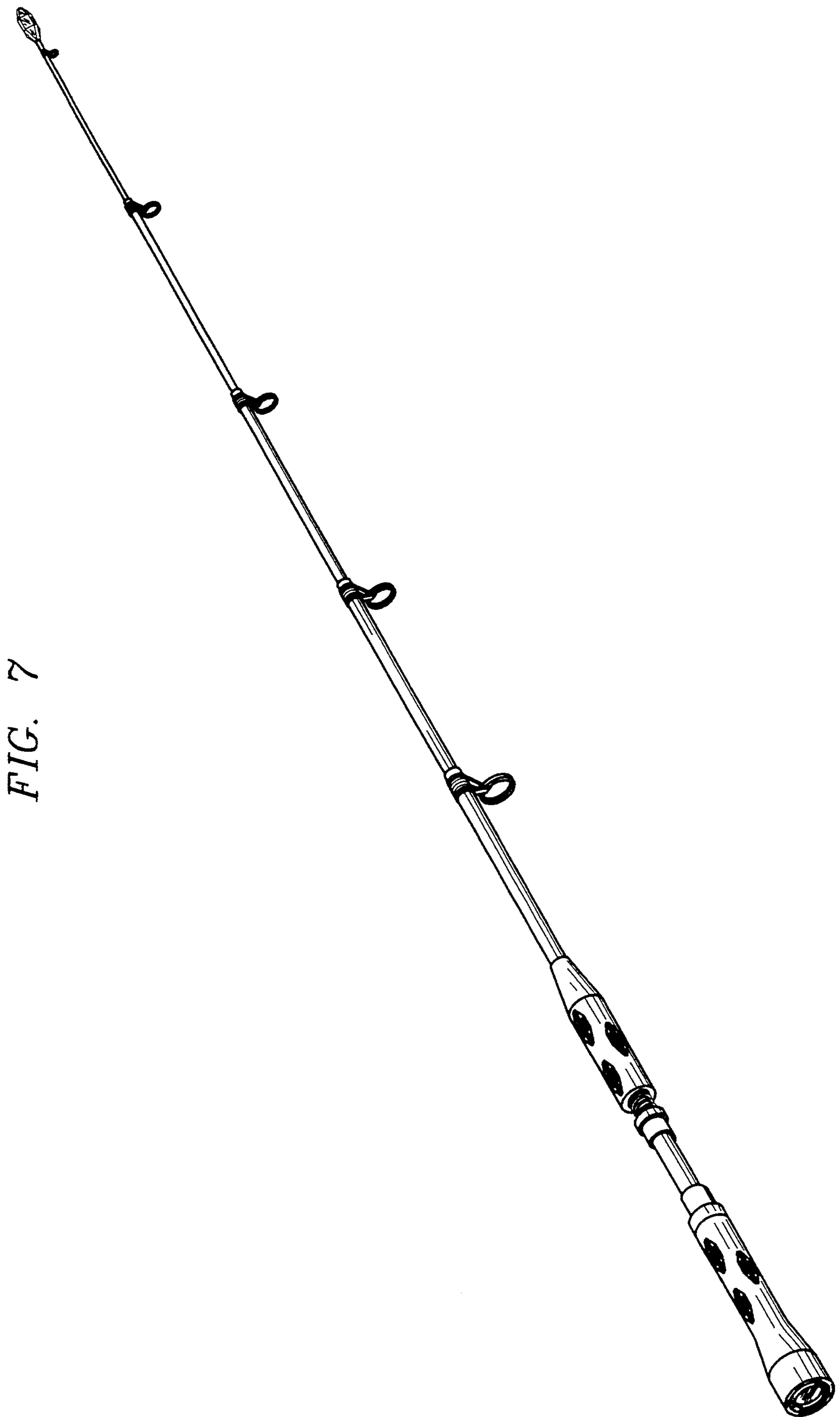


FIG. 7