



US00D349746S

# United States Patent [19]

[11] Patent Number: Des. 349,746

DeYoreo

[45] Date of Patent: \*\* Aug. 16, 1994

[54] INSECT KILLER

[75] Inventor: Sal G. DeYoreo, Andover, Mass.

[73] Assignee: Armatron International, Inc.,  
Melrose, Mass.

[\*\*] Term: 14 Years

[21] Appl. No.: 4,046

[22] Filed: Jan. 27, 1993

[52] U.S. Cl. .... D22/122; D22/119;  
D22/123

[58] Field of Search ..... 43/112, 113, 124, 139;  
D22/122, 119, 120, 123

[56] **References Cited**

**U.S. PATENT DOCUMENTS**

D. 173,253	10/1954	Ayoub .....	D22/122
D. 178,451	8/1956	Hunter .....	D22/123
D. 191,050	8/1961	Viemeister .....	D22/123
D. 292,306	10/1987	Rottenberg .....	D22/123
2,893,161	7/1959	Reid .....	D22/123 X
4,490,937	1/1985	Yavnieli .....	D22/123 X

*Primary Examiner*—A. Hugo Word

*Assistant Examiner*—Doris V. Coles

*Attorney, Agent, or Firm*—Samuels, Gauthier & Stevens

[57] **CLAIM**

The ornamental design for an insect killer, as shown and described.

**DESCRIPTION**

FIG. 1 is a perspective view of an insect killer showing my design;

FIG. 2 is a top plan view thereof;

FIG. 3 is a bottom plan view thereof;

FIG. 4 is a front elevational view, the rear being a mirror image thereof;

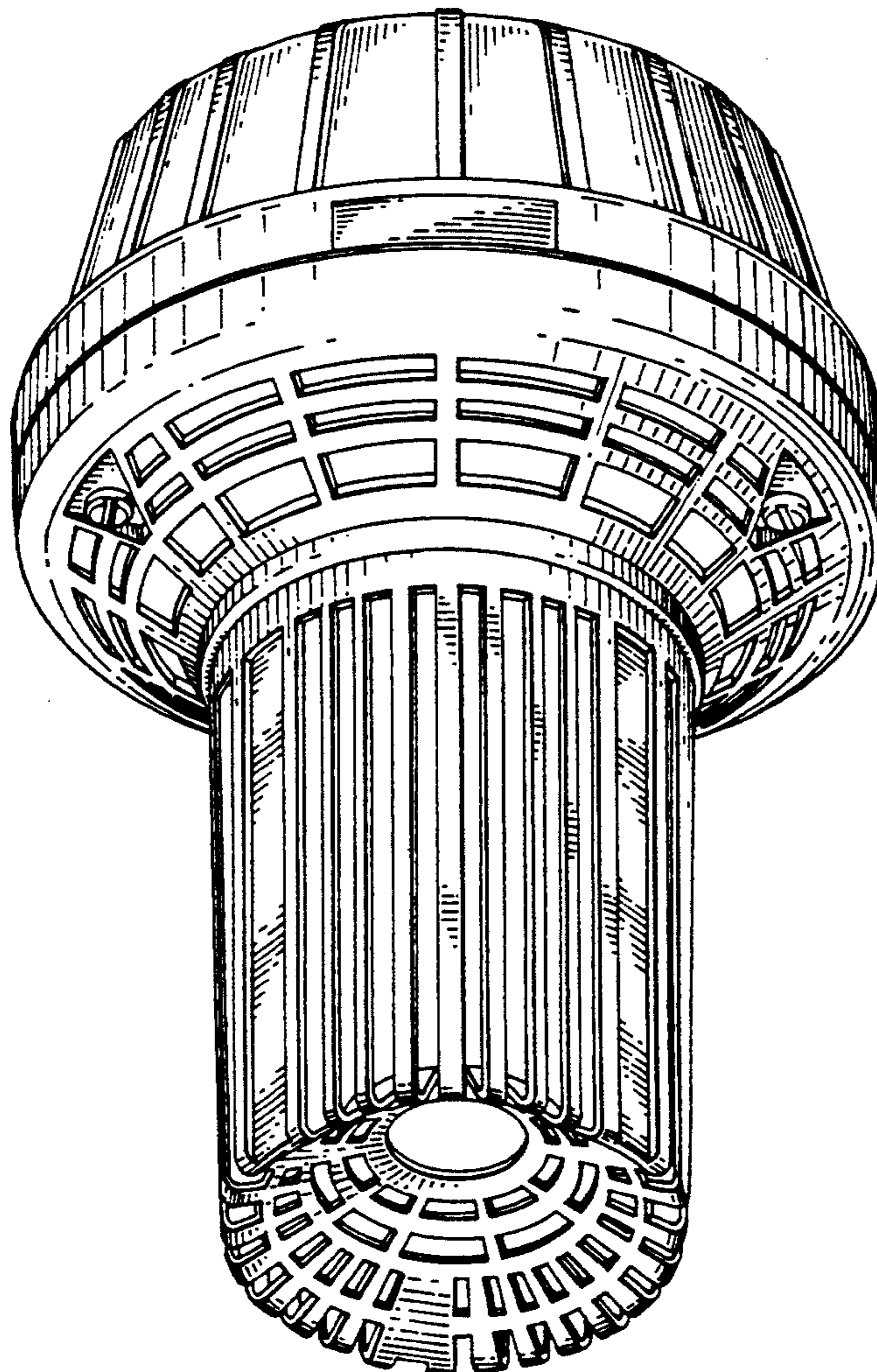
FIG. 5 is a side elevational view thereof, the opposite side being a mirror image;

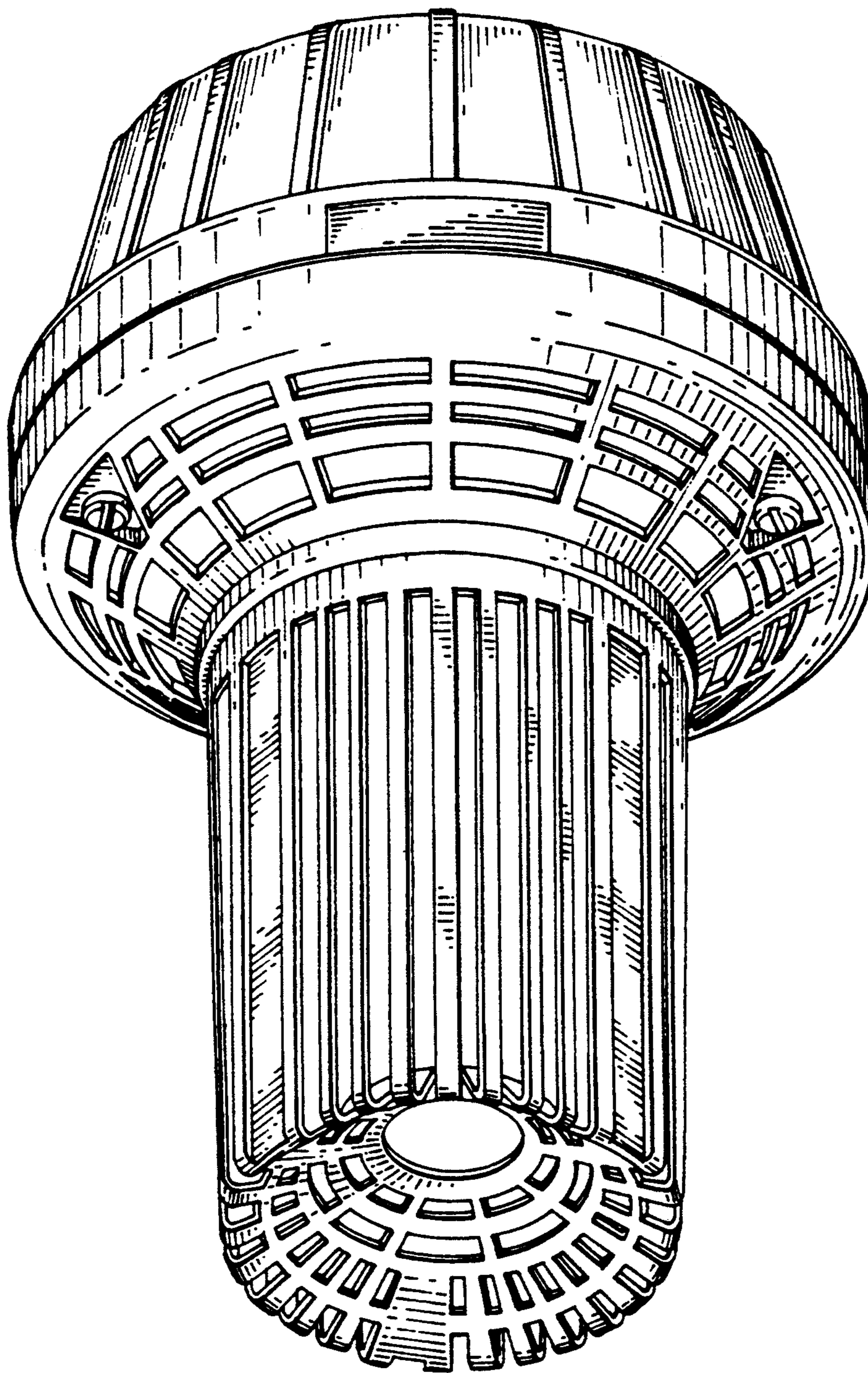
FIG. 6 is a perspective view of a second embodiment of an insect killer showing my design;

FIG. 7 is a top plan view of the second embodiment;

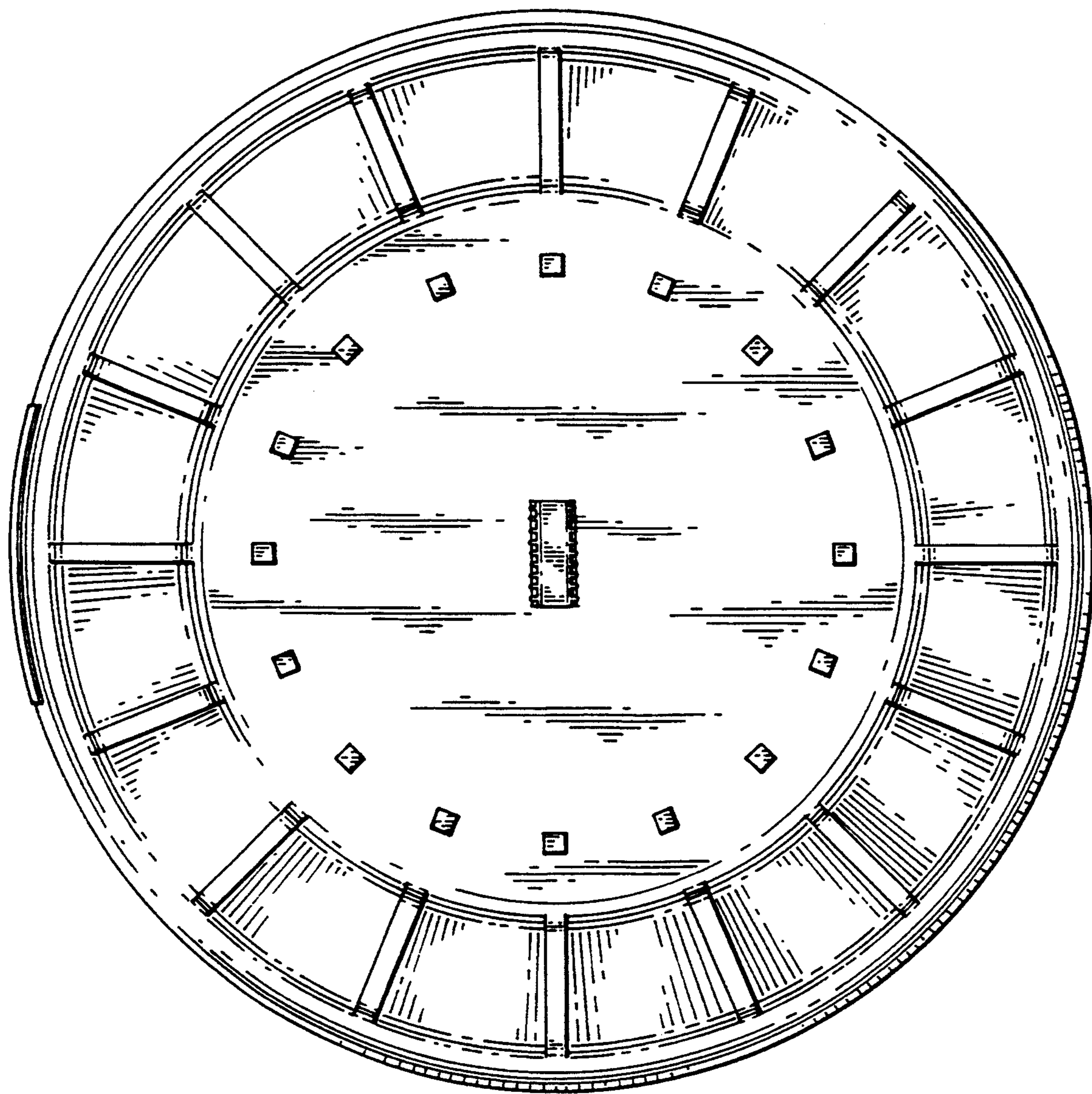
FIG. 8 is a front elevational view of the second embodiment, the rear being a mirror image thereof; and,

FIG. 9 is a side elevational view of FIG. 6, the opposite side being a mirror image.

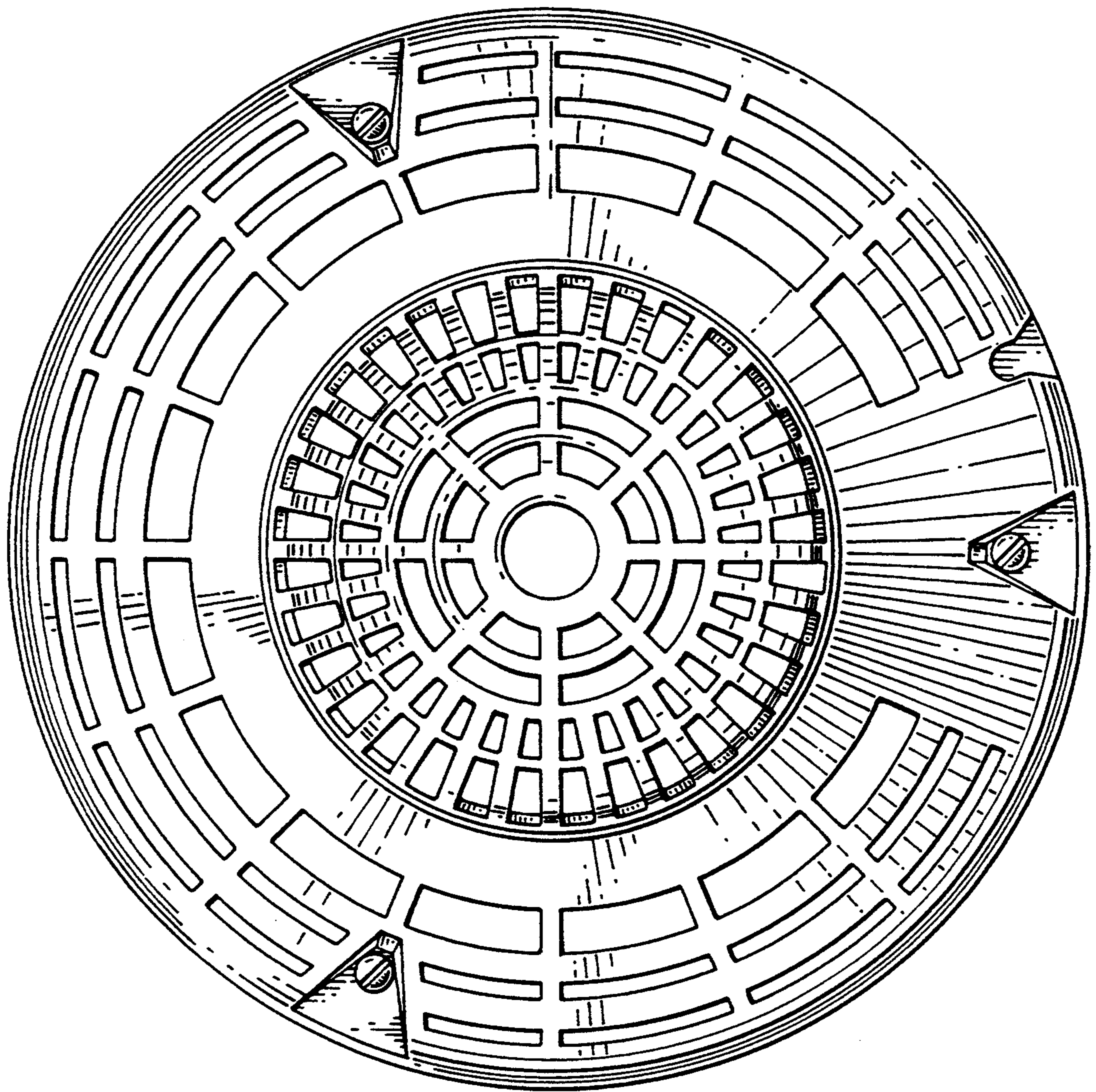




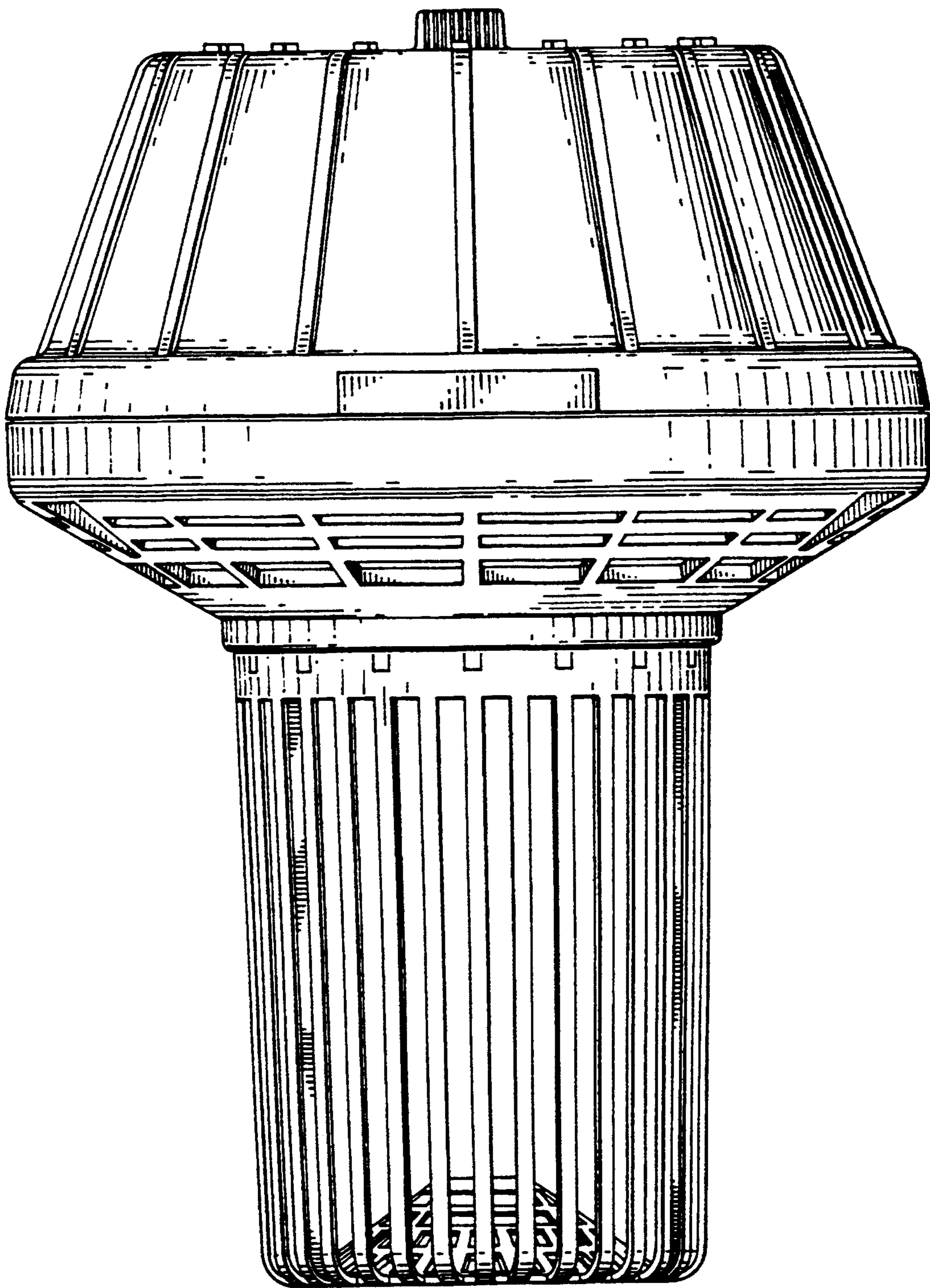
*FIG. 1*



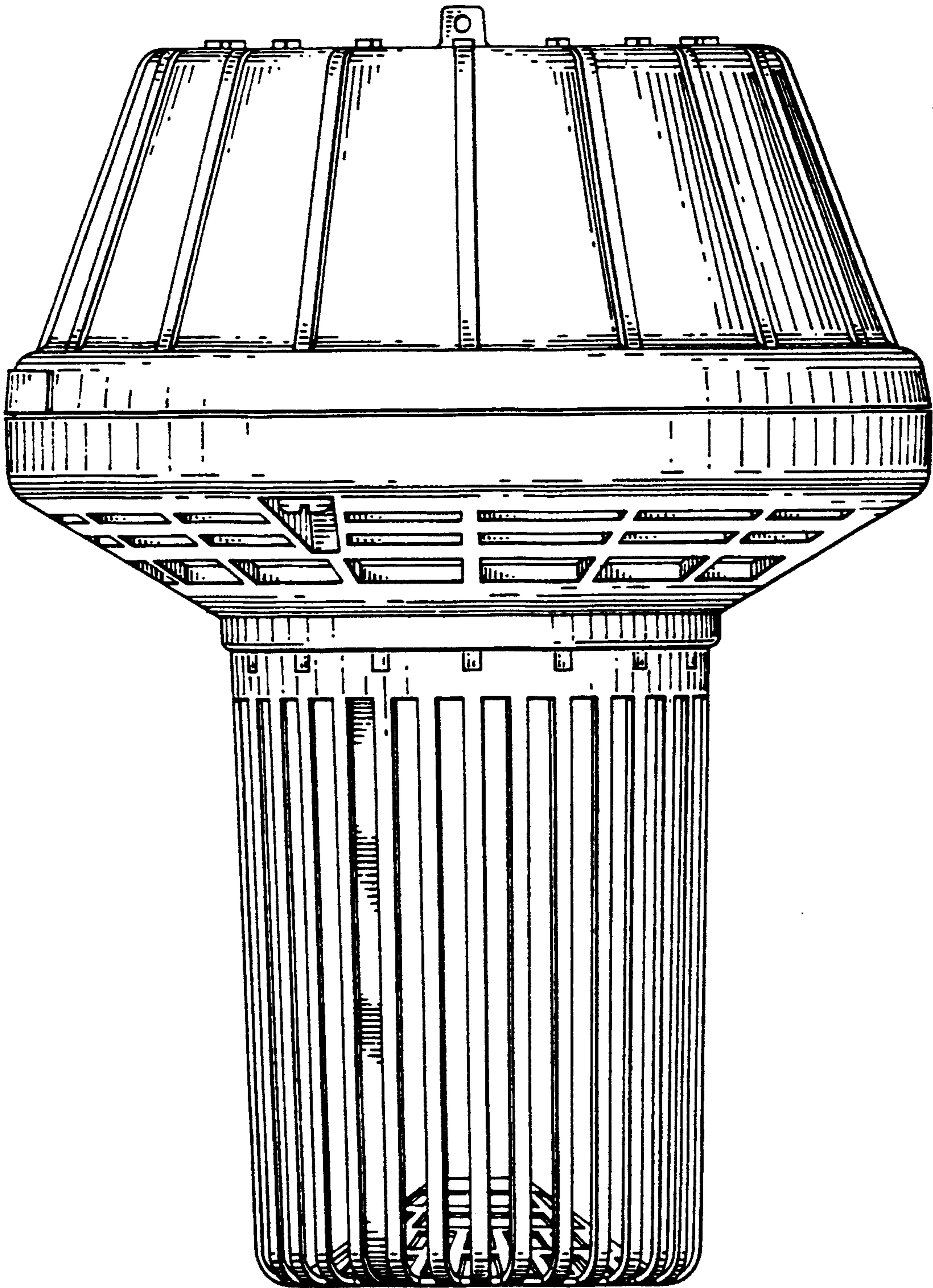
**FIG. 2**



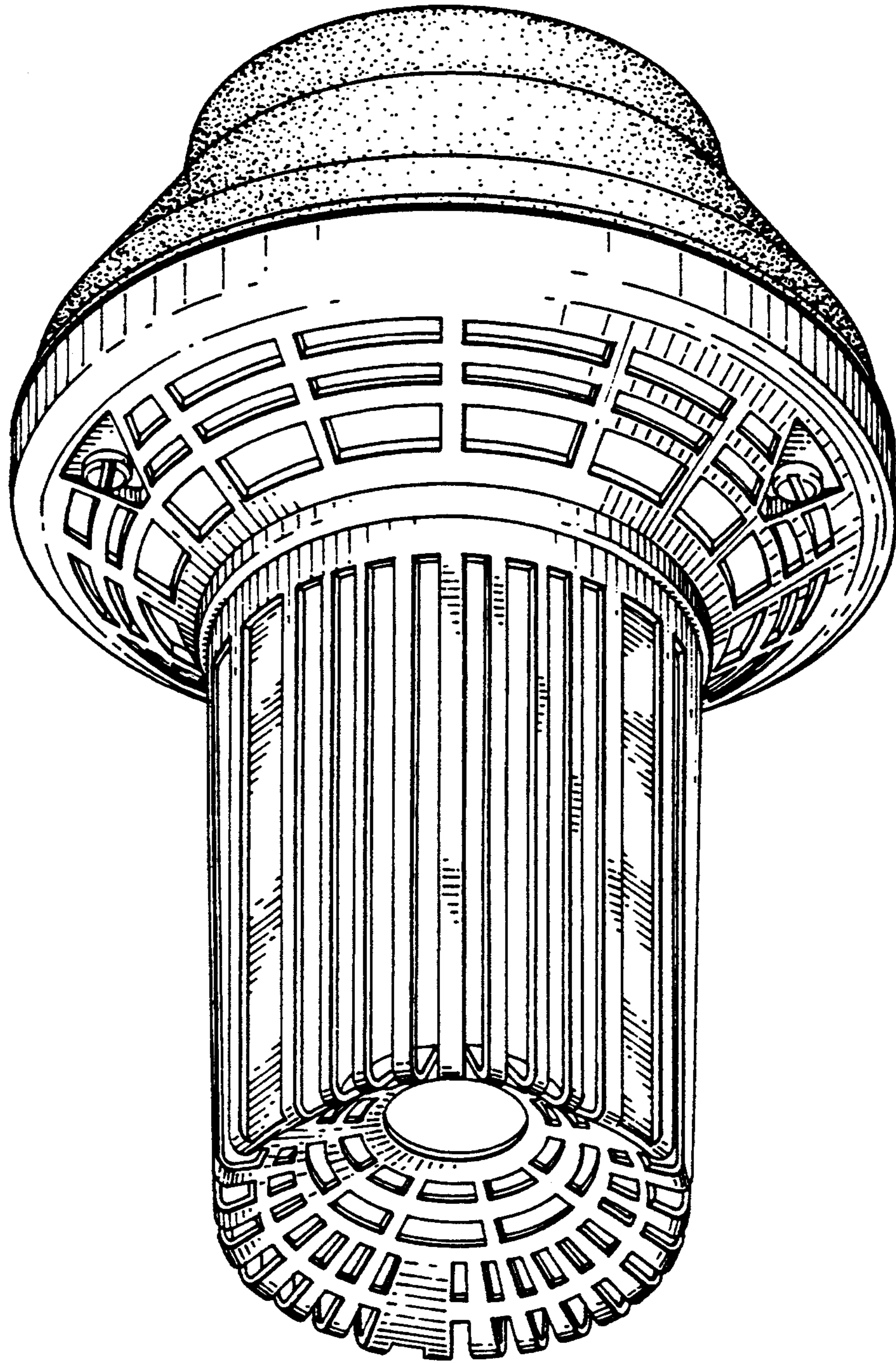
**FIG. 3**



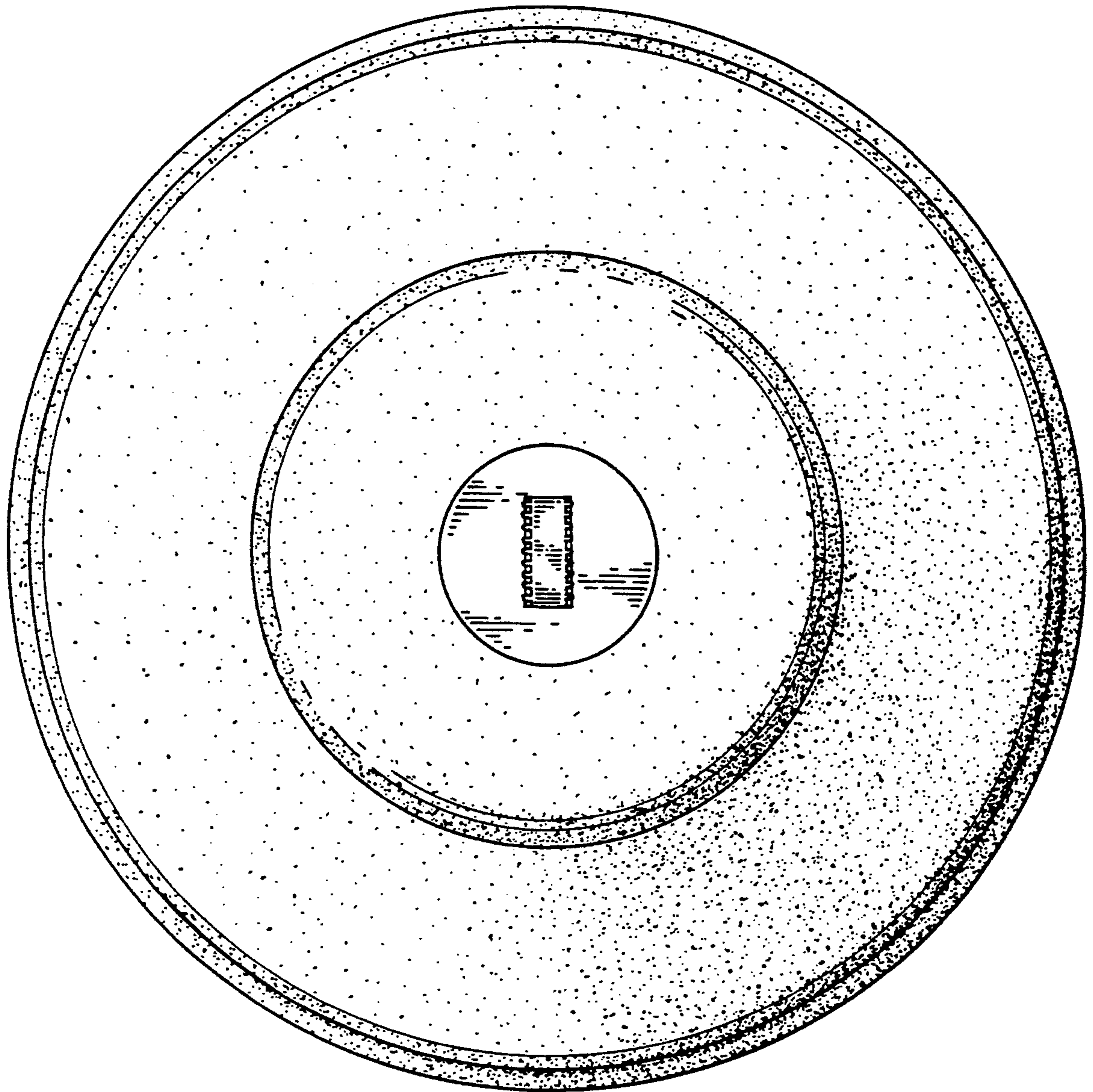
*FIG. 4*



*FIG. 5*

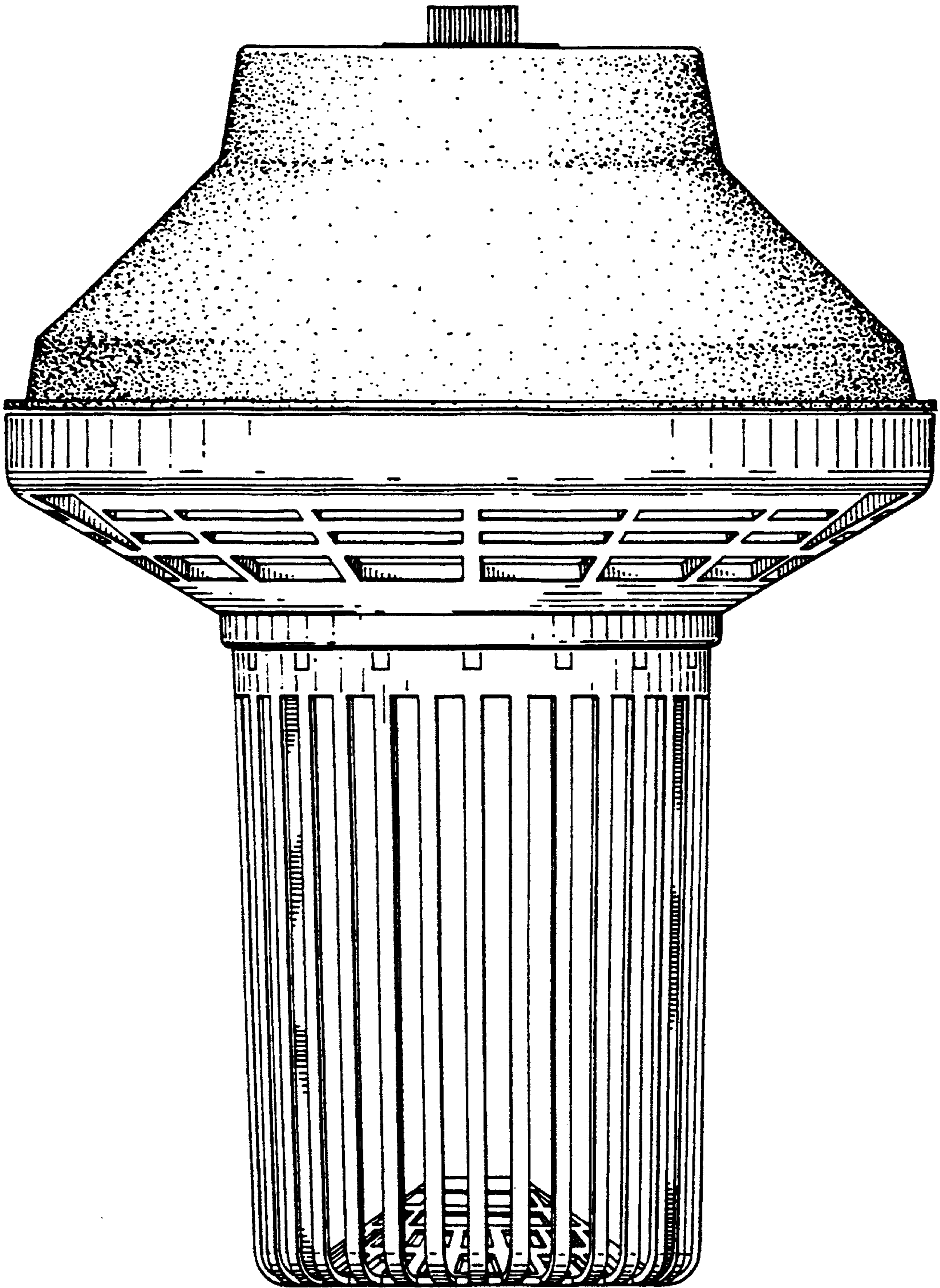


*FIG. 6*

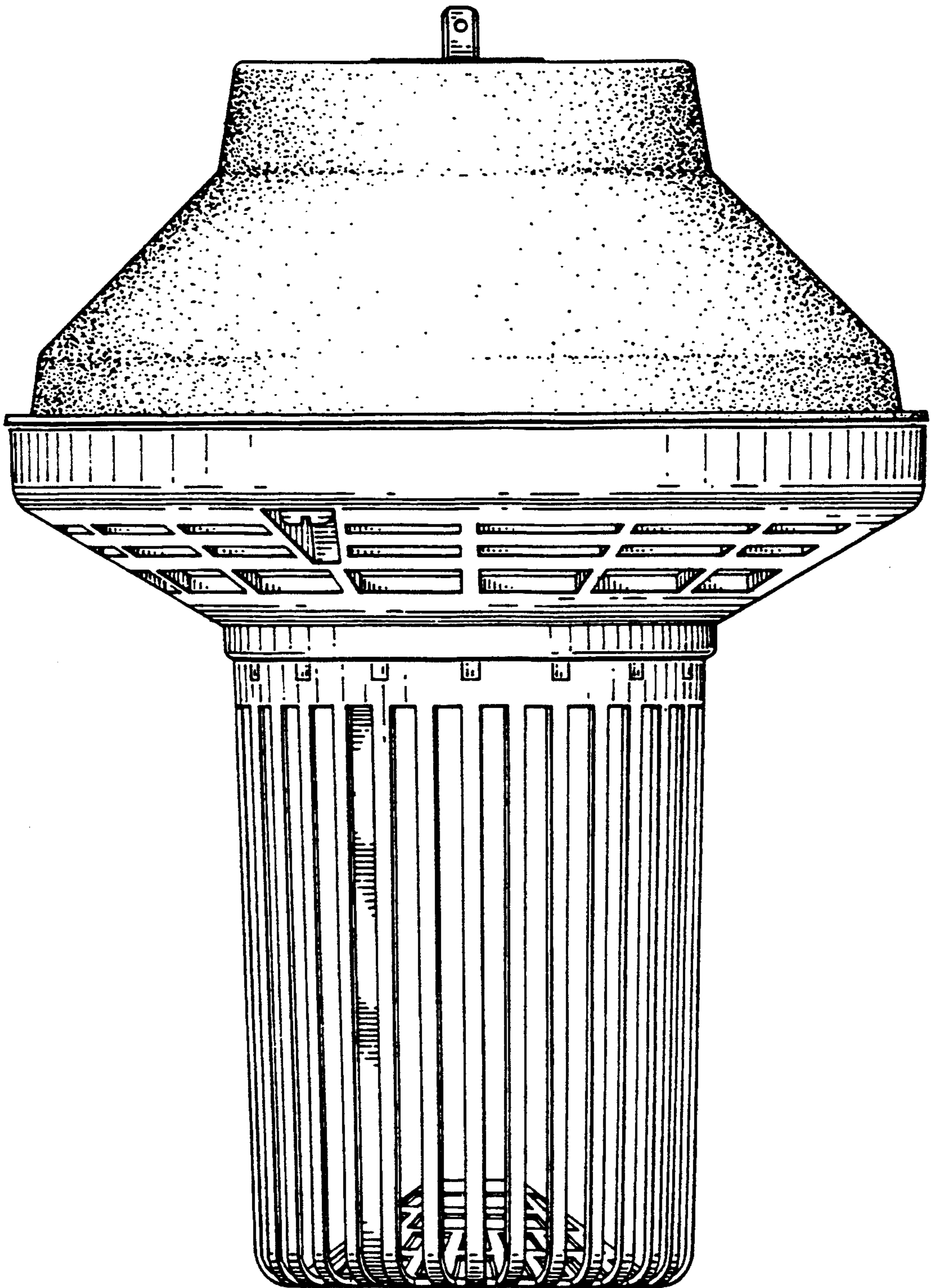


***FIG. 7***





*FIG. 8*



*FIG. 9*