



US00D349745S

United States Patent [19]

[11] Patent Number: **Des. 349,745**

Vaudry

[45] Date of Patent: **** Aug. 16, 1994**

[54] INSECT TRAP

5,044,112 9/1991 Williams 43/113

[76] Inventor: **Alan Vaudry**, 98-C Burnside Road
West, Victoria, British Columbia,
Canada, V9A 1B5

Primary Examiner—A. Hugo Word
Assistant Examiner—Doris V. Coles
Attorney, Agent, or Firm—Hughes, Multer & Schacht

[**] Term: **14 Years**

[57] **CLAIM**

[21] Appl. No.: **838,474**

The ornamental design for an insect trap, as shown and described.

[22] Filed: **Feb. 18, 1992**

[52] U.S. Cl. **D22/122**

[58] Field of Search 43/112, 113, 114, 132.1;
D22/122, 123, 119

DESCRIPTION

FIG. 1 is a top perspective view of an insect trap, showing my new design, the cord being broken away for the convenience of illustration;

FIG. 2 is a top plan view thereof;

FIG. 3 is a side elevational view of a first side thereof, the opposite side being a mirror image of the first side;

FIG. 4 is a front elevational view thereof;

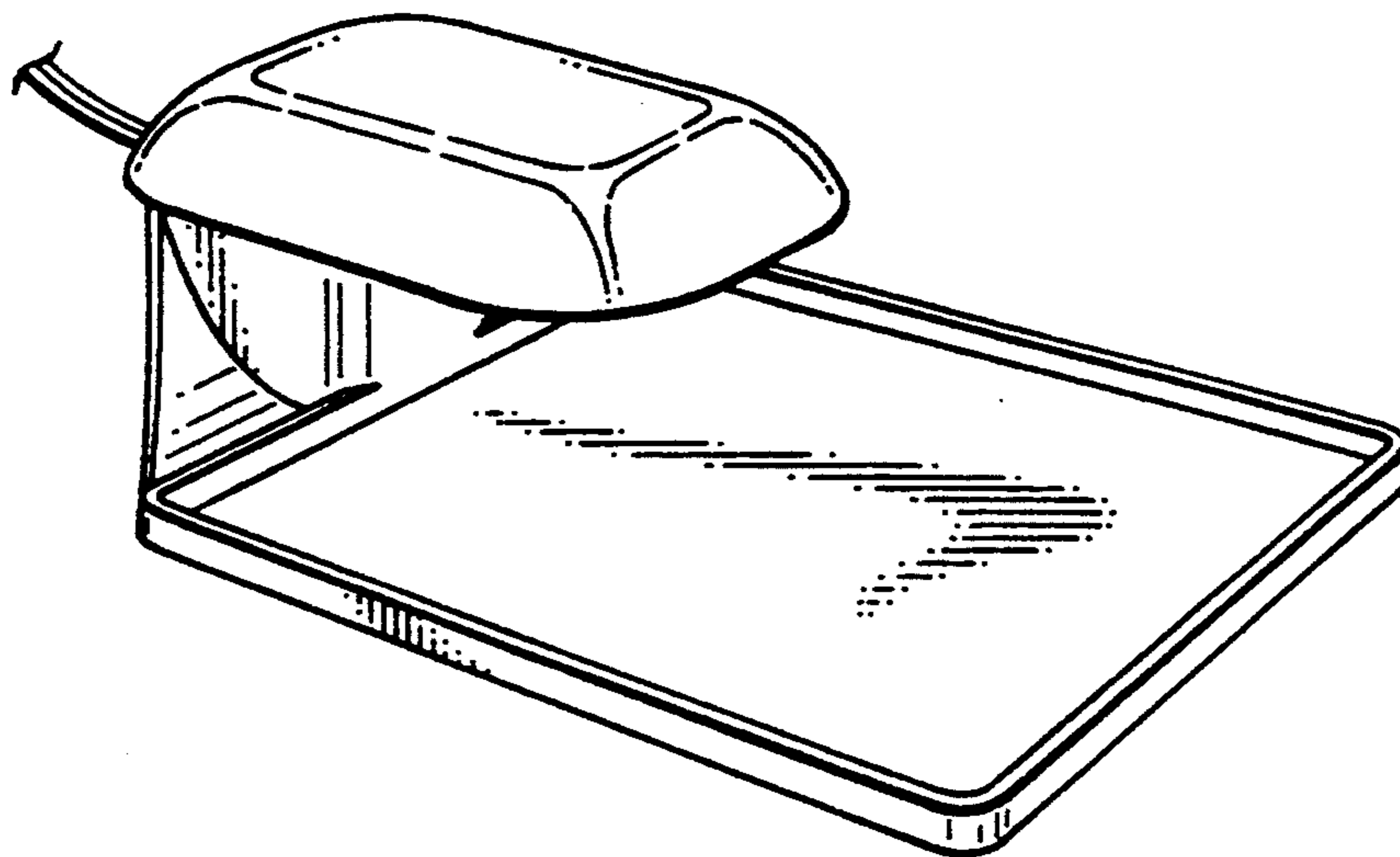
FIG. 5 is a rear elevational view thereof; and,

FIG. 6 is a bottom plan view thereof.

[56] References Cited

U.S. PATENT DOCUMENTS

D. 324,559 3/1992 Moraes D22/122
4,566,220 1/1986 Justice 43/113
4,700,506 10/1987 Williams 43/113



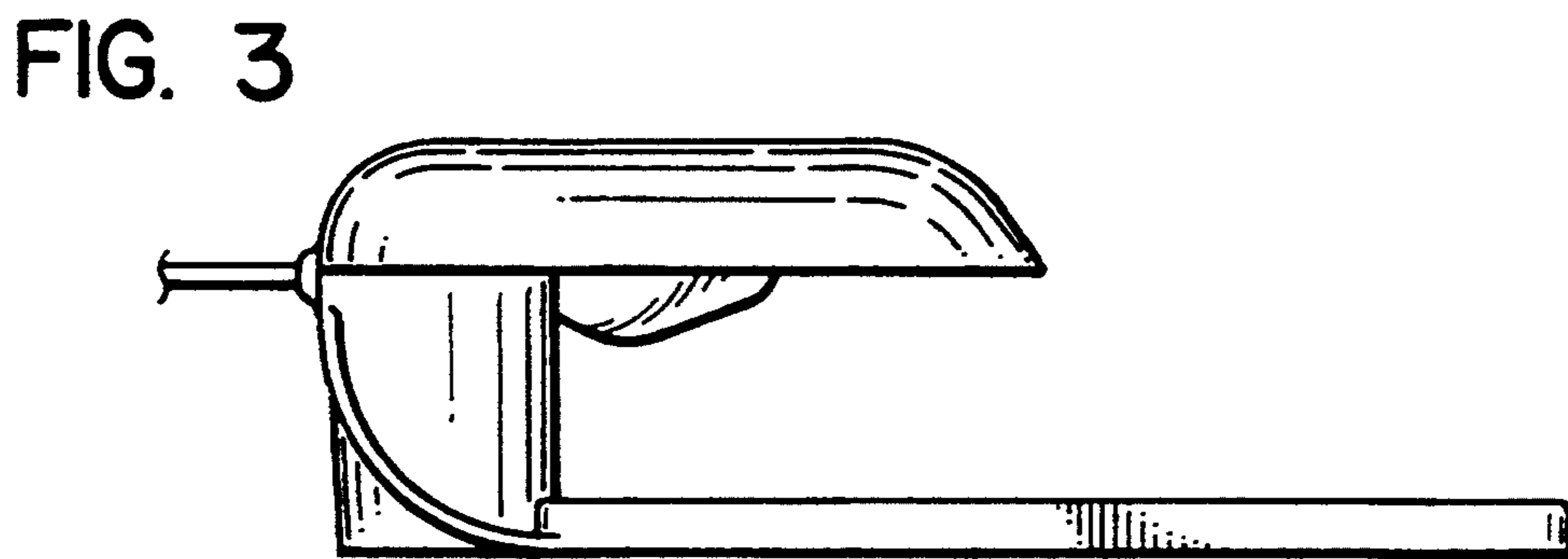
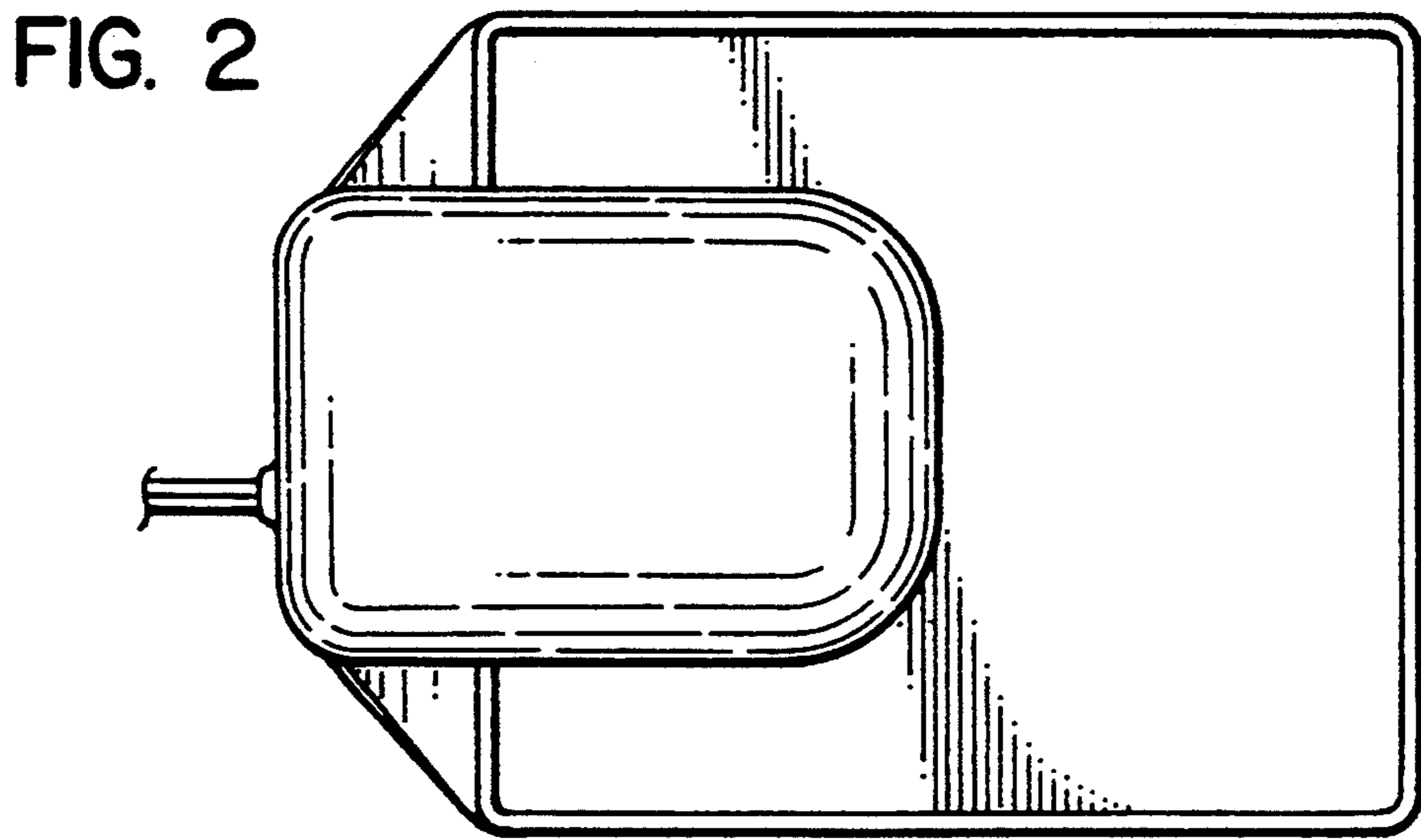
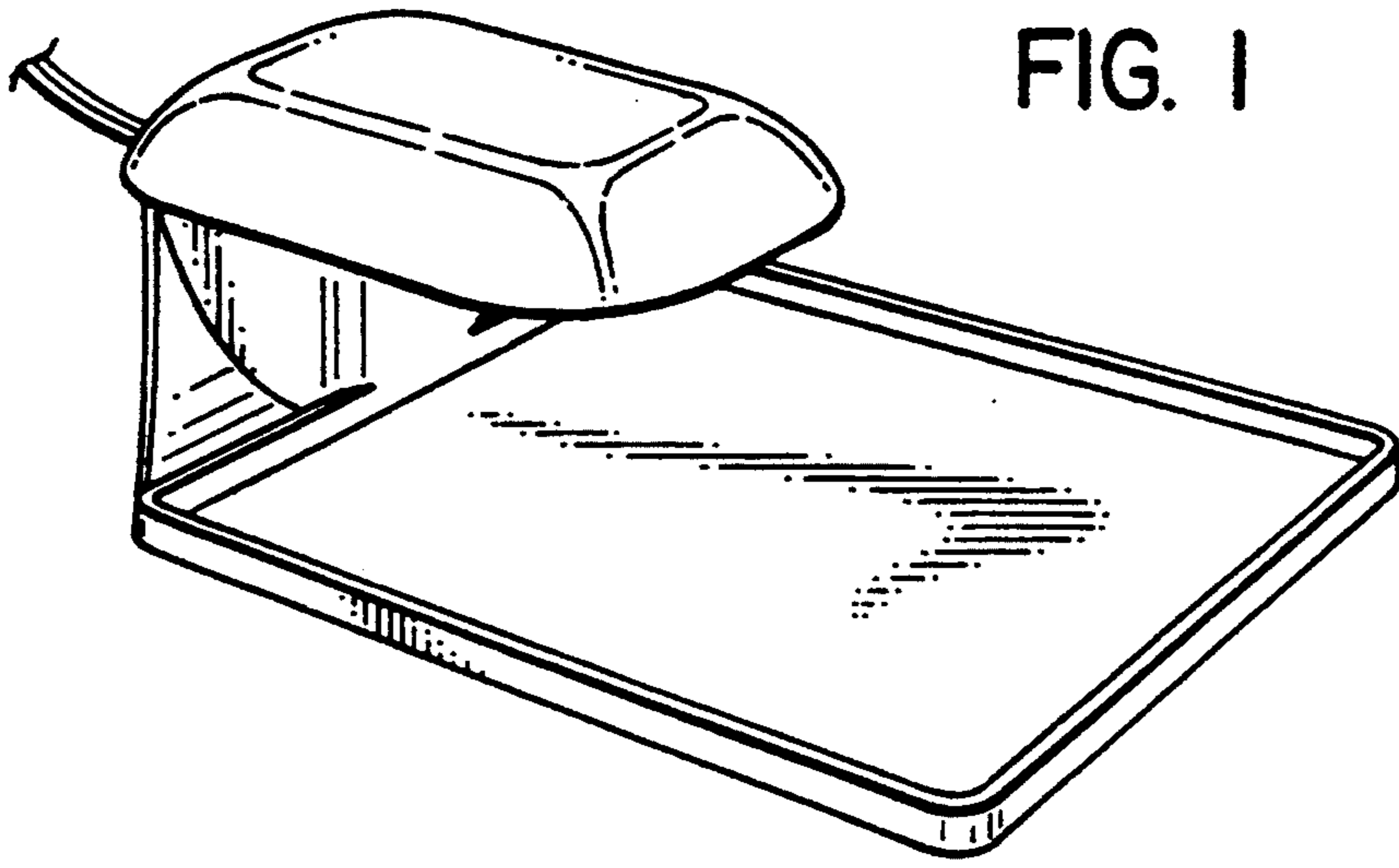


FIG. 4

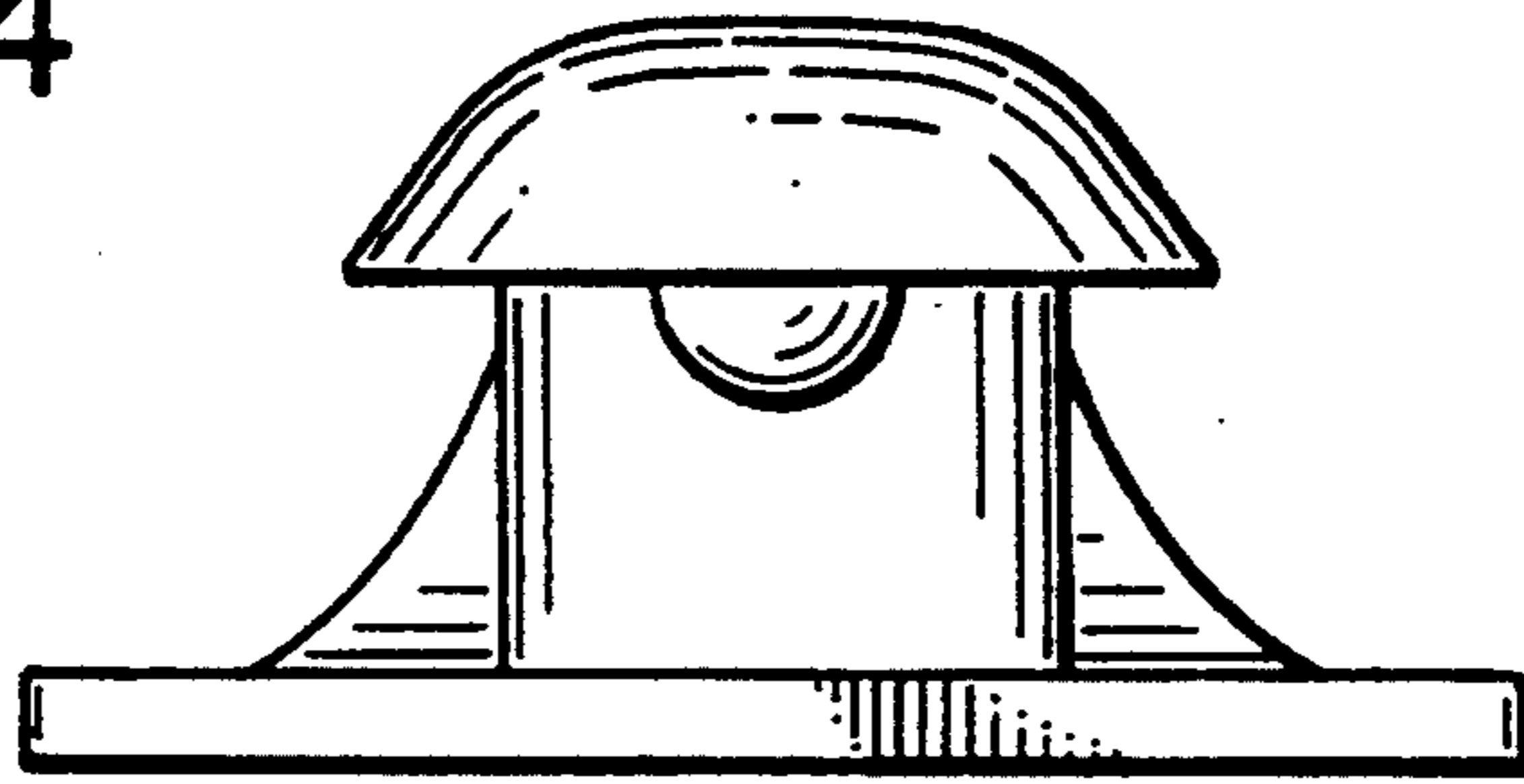


FIG. 5

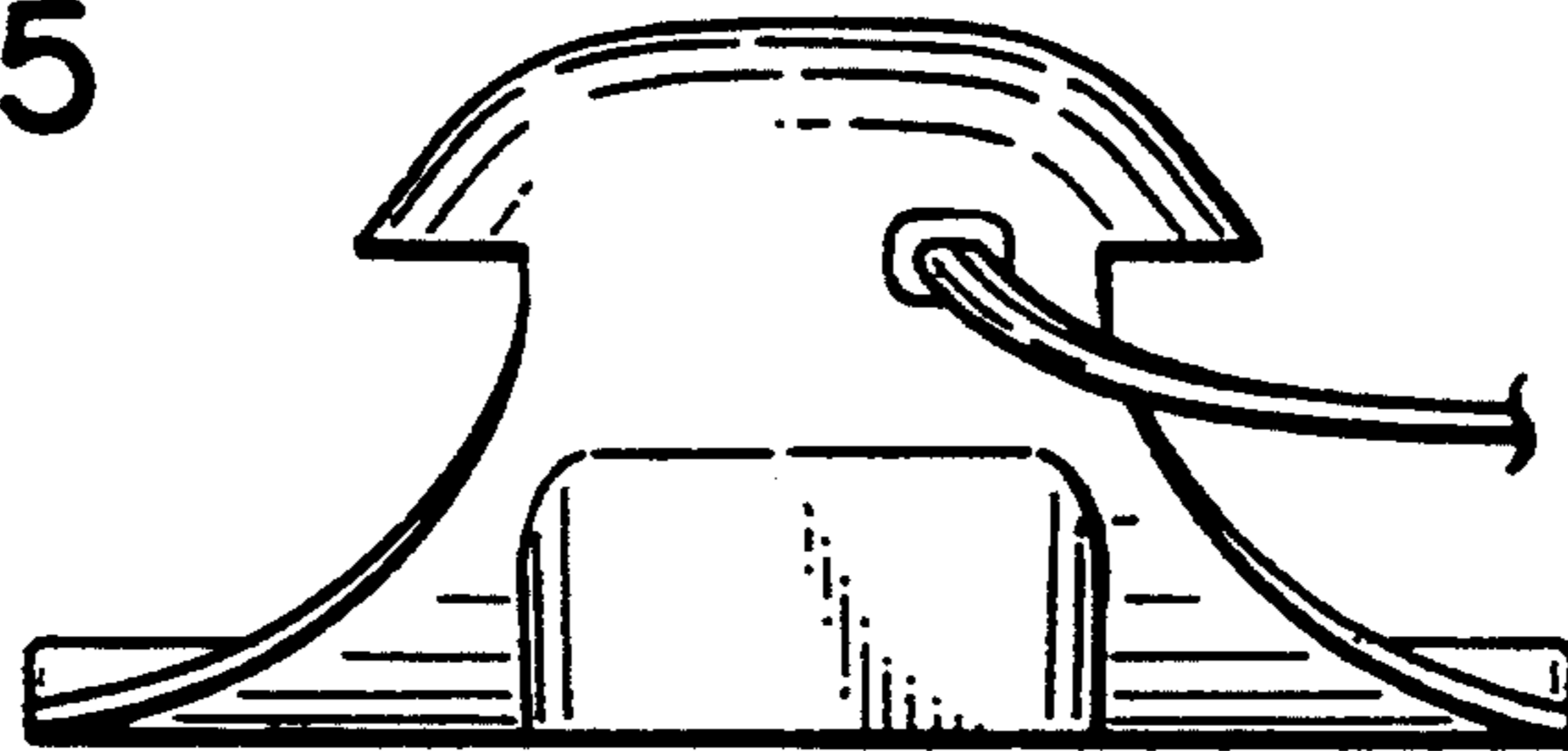


FIG. 6

