



US00D349738S

United States Patent [19]

[11] Patent Number: **Des. 349,738**

Naegele, III et al.

[45] Date of Patent: **** Aug. 16, 1994**

[54] **BOUNDARY BARRIER FOR A SPORTS PLAYING FIELD**

[75] Inventors: **Robert O. Naegele, III**, Minneapolis;
James E. Becker, Chaska, both of Minn.

[73] Assignee: **In-Line Sport Systems, Inc.**, Minneapolis, Minn.

[**] Term: **14 Years**

[21] Appl. No.: **13,173**

[22] Filed: **Sep. 20, 1993**

[52] U.S. Cl. **D21/199; D25/122**

[58] Field of Search **273/25, 31; 473/8; 403/292, 298; 404/6-12; 472/92; D21/199; D25/122, 38**

4,142,814	3/1979	Sanchez .	
4,336,932	6/1982	Steiner .	
4,392,647	7/1983	Golebieski .	
4,429,872	2/1984	Capachi	472/92 X
5,066,000	11/1991	Dolan .	
5,217,318	6/1993	Peppel	404/6
5,233,707	8/1993	Perkins	403/292 X

FOREIGN PATENT DOCUMENTS

0160952	11/1985	European Pat. Off.	472/92
---------	---------	-------------------------	--------

Primary Examiner—Melvin B. Feifer

Assistant Examiner—Cheri Cohen

Attorney, Agent, or Firm—Merchant, Gould, Smith, Edell, Welter & Schmidt

[57] CLAIM

The ornamental design for an boundary barrier for a sports playing field, as shown and described.

DESCRIPTION

FIG. 1 is a perspective view of a boundary barrier for a sports playing field showing our new design; FIG. 2 is a front elevational view thereof; FIG. 3 is a rear elevational view thereof; FIG. 4 is a top plan view thereof; FIG. 5 is a bottom plan view thereof; FIG. 6 is a left end elevational view thereof; and, FIG. 7 is a right end elevational view thereof. The broken lines in FIG. 1 are for illustrative purposes only and form no part of the claimed design.

References Cited

U.S. PATENT DOCUMENTS

D. 278,341	5/1983	Kelly .	
D. 322,486	12/1991	Westphal et al.	D25/122
615,350	12/1898	Fountain	473/8
2,116,426	5/1938	Cecil .	
3,226,118	12/1965	Nehl .	
3,284,819	11/1966	Nissen .	
3,698,290	10/1972	Wallace .	
3,762,113	10/1973	O'Mullan et al. .	
3,963,218	6/1976	Glaesener .	
4,035,059	7/1977	DeMaster .	

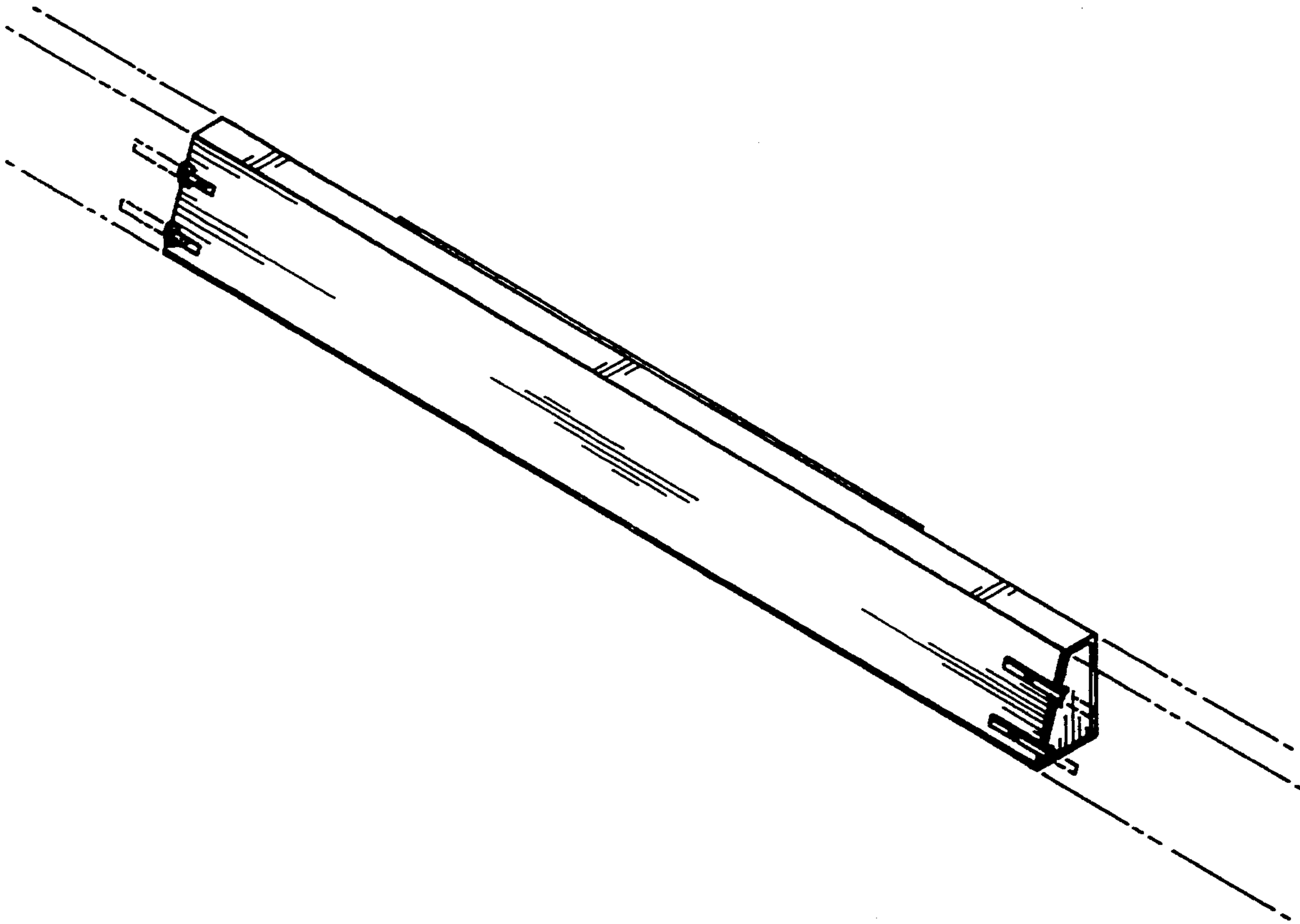


FIG. 1

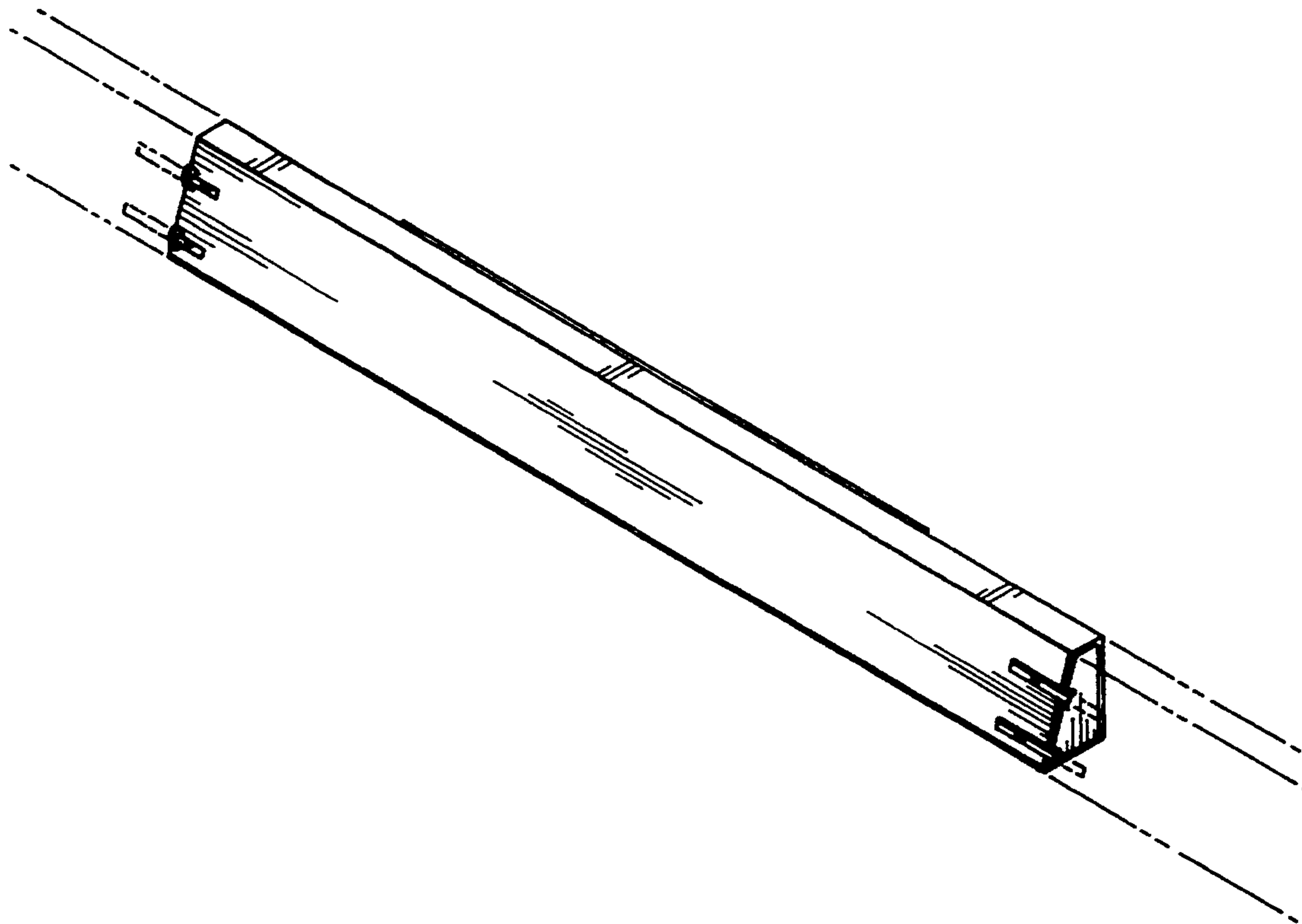


FIG. 6



FIG. 7



FIG. 2

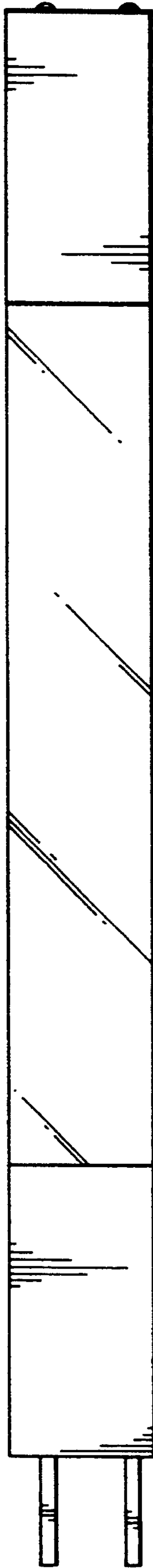


FIG. 3



FIG. 4



FIG. 5

