



US00D349737S

United States Patent [19] Bartling

[11] Patent Number: **Des. 349,737**

[45] Date of Patent: **** Aug. 16, 1994**

[54] TOY CROSS BOW

348,860	9/1886	Newbury	124/25
785,050	3/1905	Saunders	124/25
1,611,506	12/1926	Bergh	124/25
3,483,857	12/1969	Jones	124/25

[76] Inventor: **Edward G. Bartling**, 3879 S. Hallmark Dr., West Valley City, Utah 84119

[**] Term: **14 Years**

Primary Examiner—Bernard Ansher
Assistant Examiner—R. Barkai
Attorney, Agent, or Firm—Thorpe North & Western

[21] Appl. No.: **5,075**

[57] **CLAIM**

[22] Filed: **Feb. 22, 1993**

The ornamental design for a toy cross bow, as shown and described.

[52] U.S. Cl. **D21/145**

[58] Field of Search 446/267, 473; 124/24.1, 124/25; 482/83, 12; 89/1.816; D7/649, 650, 696; D21/145, 146, 147; D22/107, 108, 118; D23/225

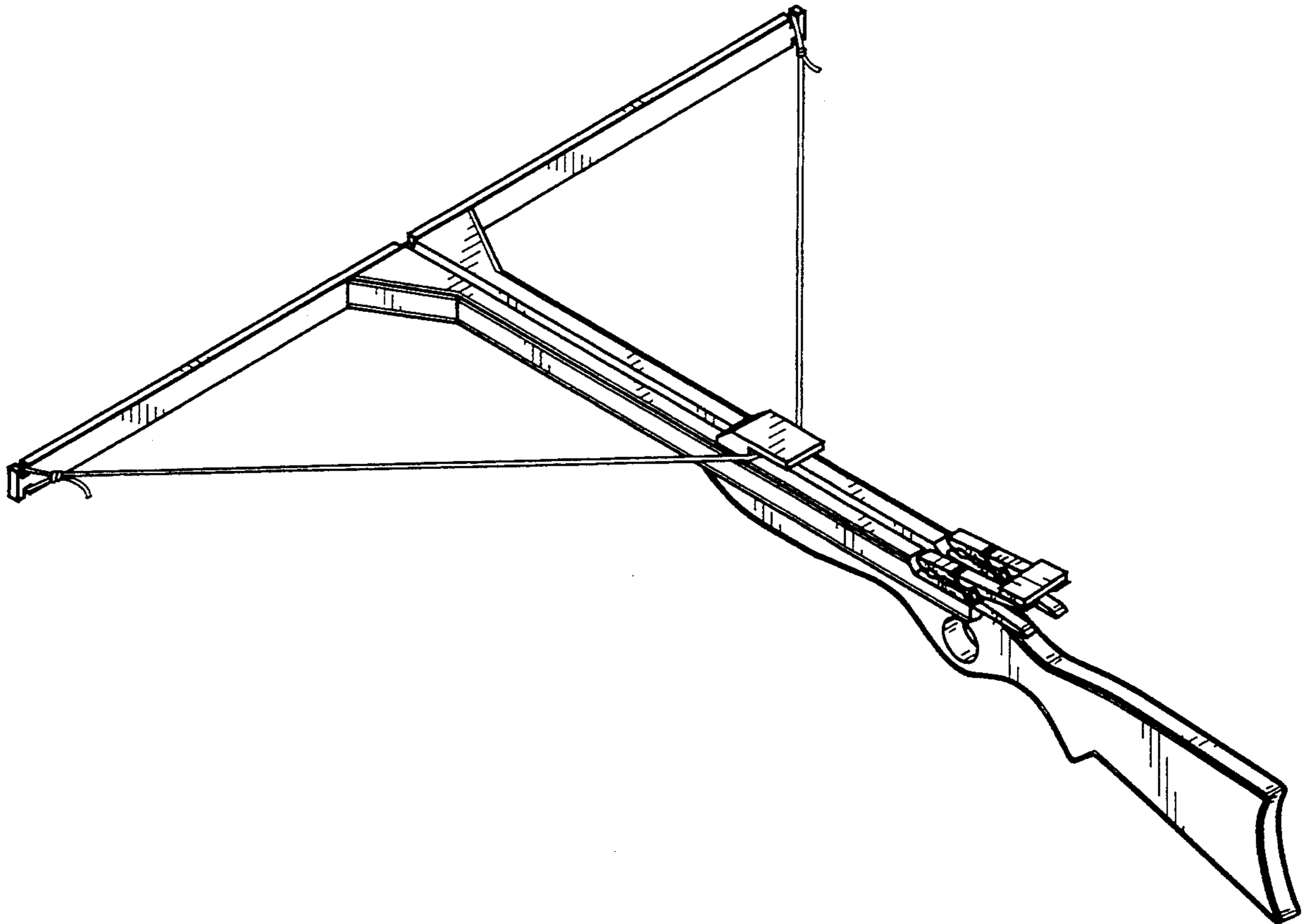
DESCRIPTION

FIG. 1 is a perspective view of a toy cross bow showing my new design;
FIG. 2 is a top view thereof;
FIG. 3 is a side view thereof;
FIG. 4 is a bottom view thereof;
FIG. 5 is a reverse side view thereof;
FIG. 6 is a front plan view thereof; and,
FIG. 7 is a back plan view thereof.

[56] **References Cited**

U.S. PATENT DOCUMENTS

D. 27,808	11/1897	Ives	D21/146
D. 225,547	12/1972	Griffin	D21/147



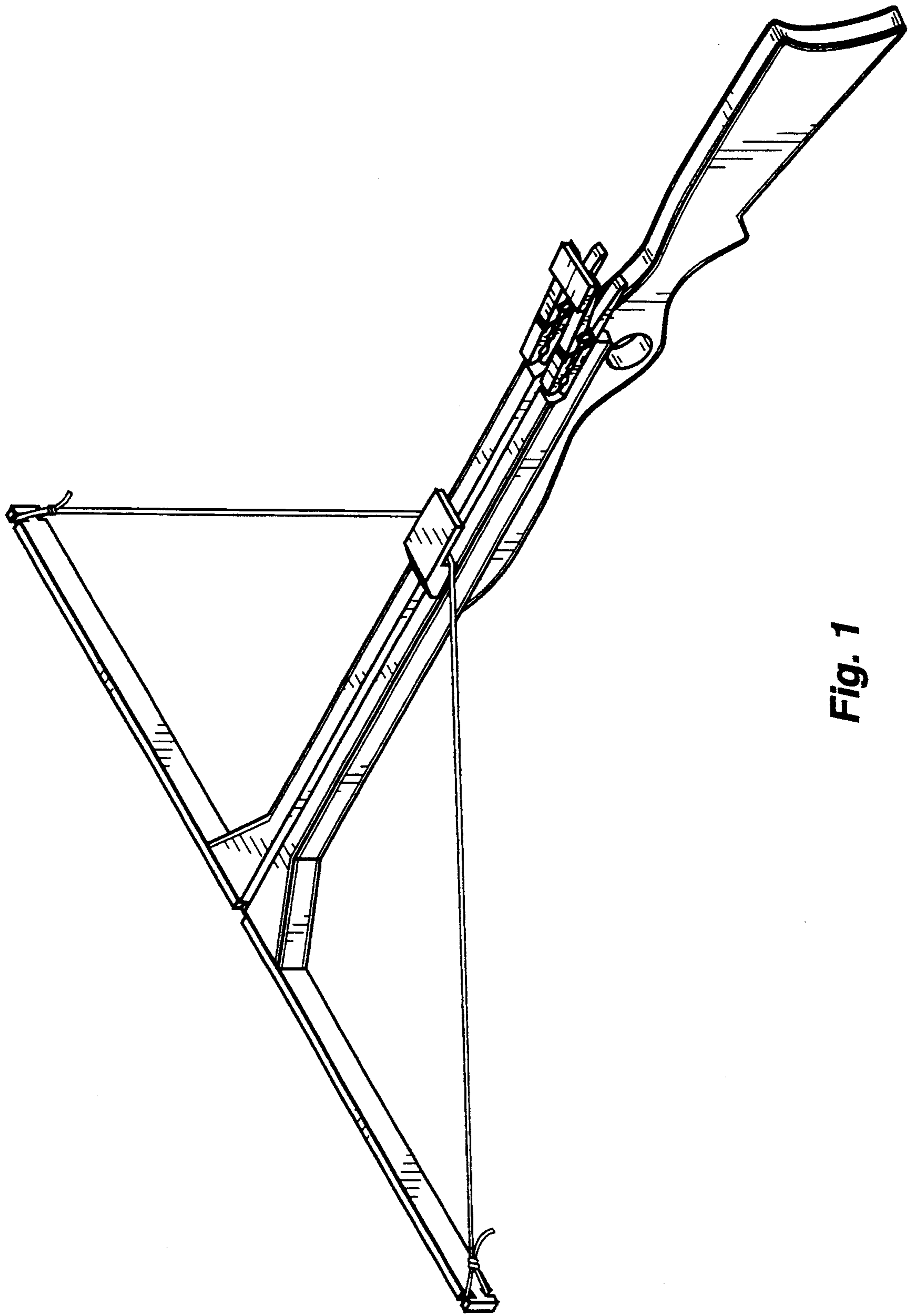


Fig. 1

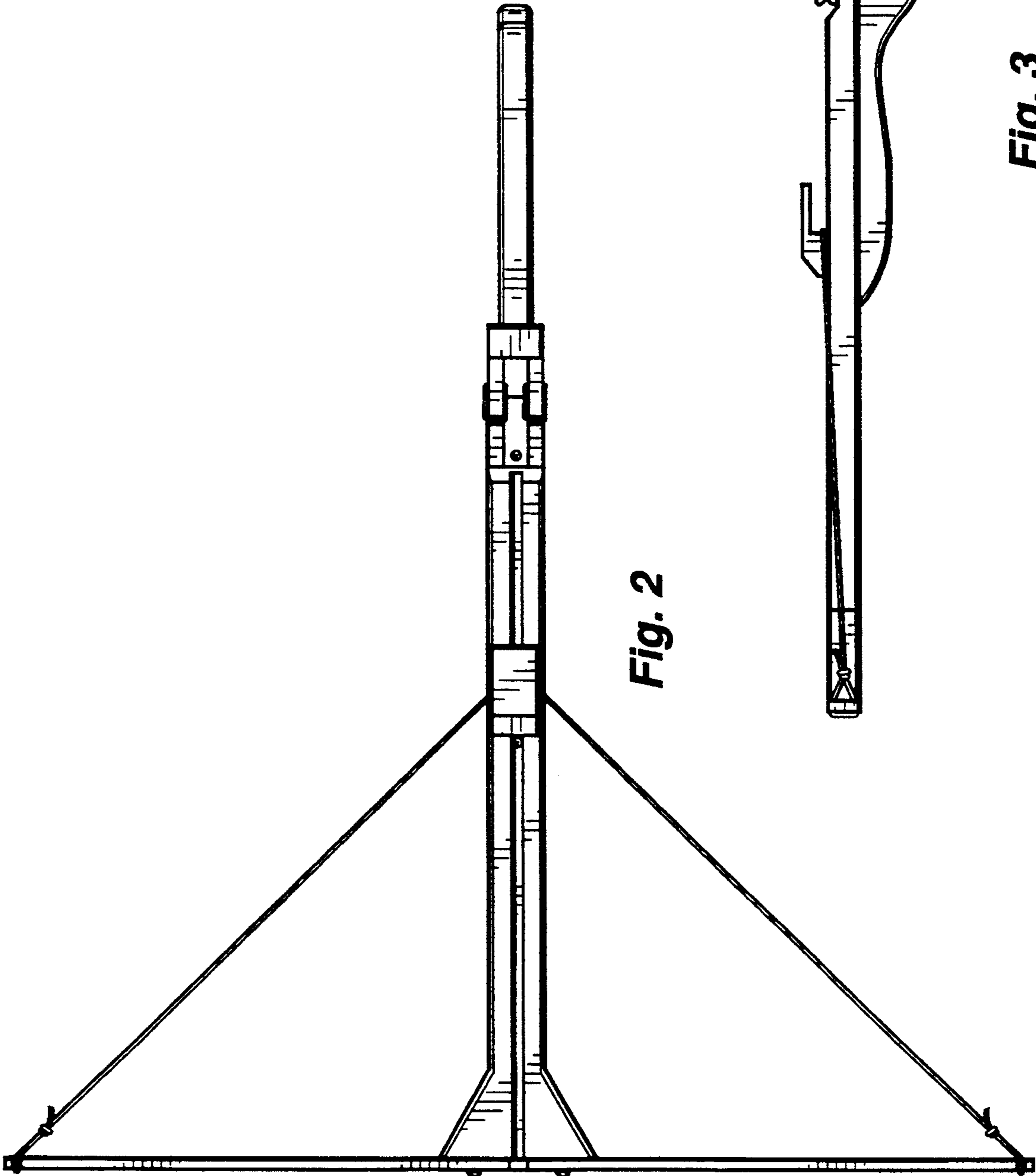


Fig. 2

Fig. 3

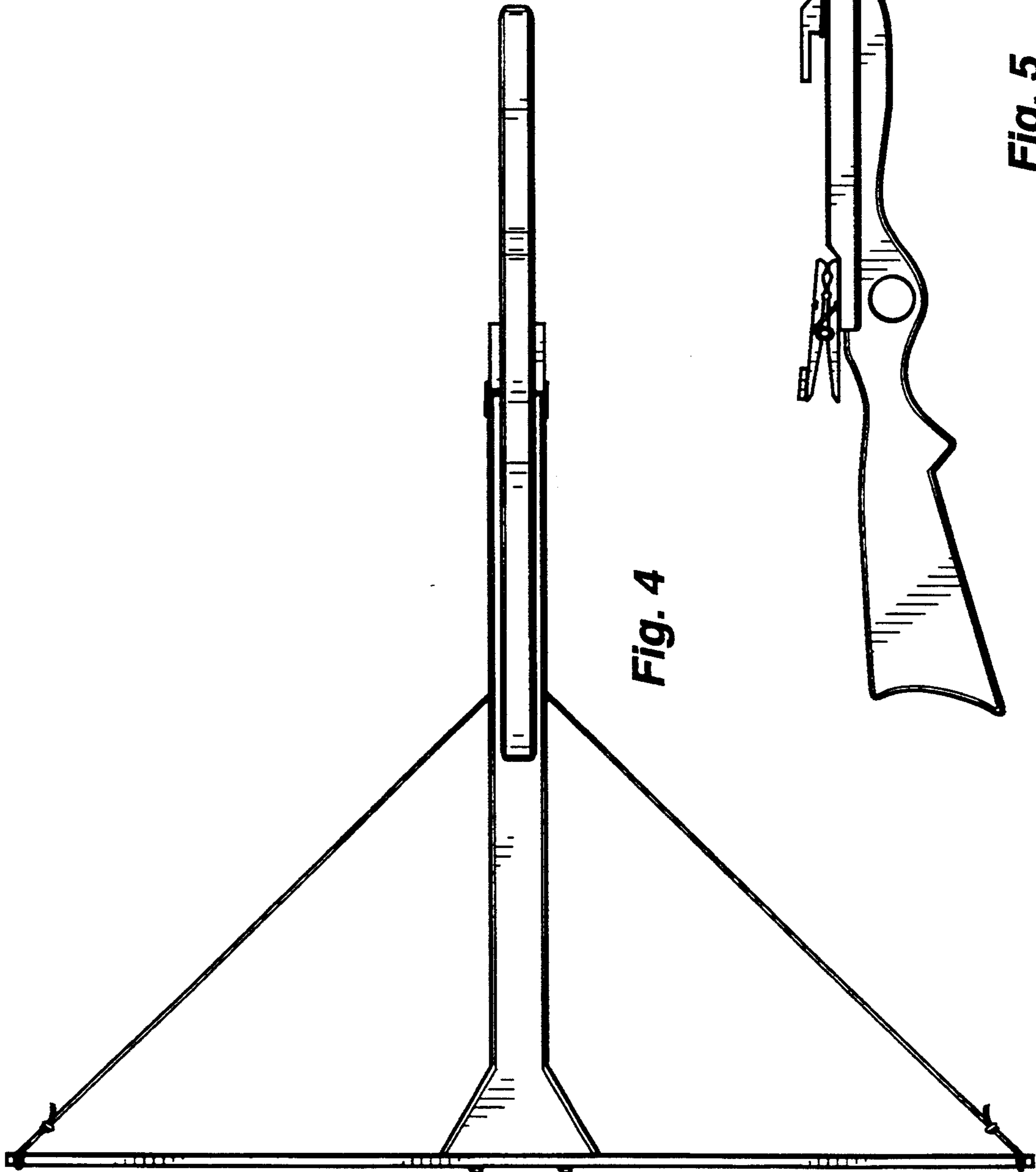


Fig. 4

Fig. 5

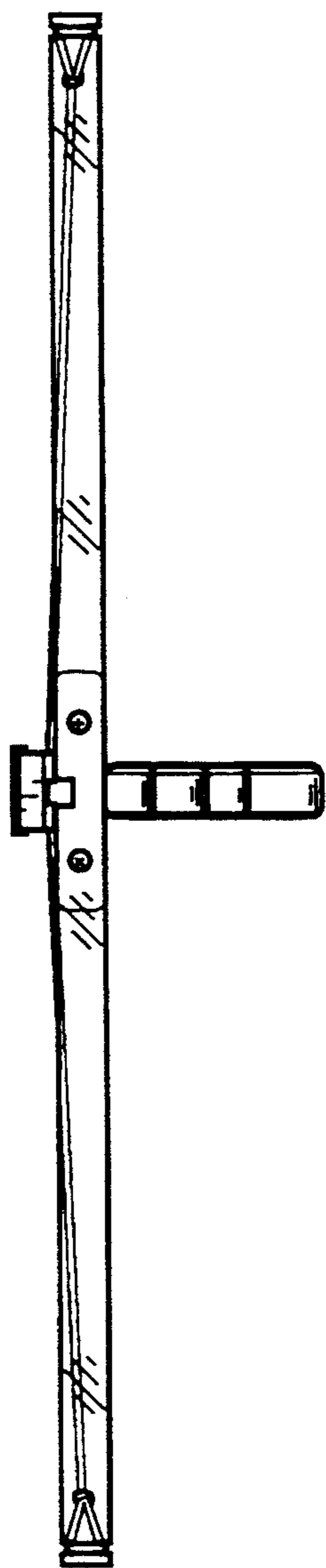


Fig. 6

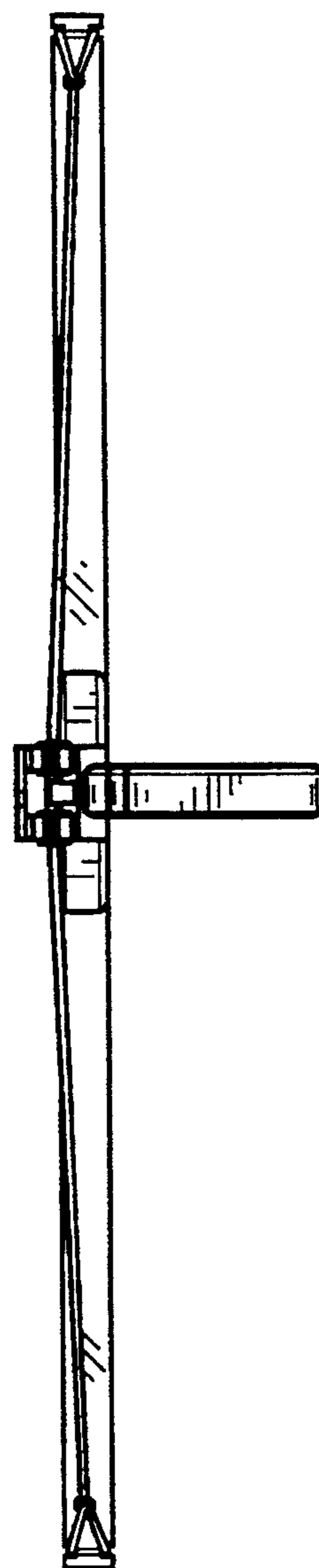


Fig. 7