



US00D349735S

United States Patent [19]

[11] Patent Number: **Des. 349,735**

Cacciola et al.

[45] Date of Patent: **** Aug. 16, 1994**

[54] MOBILE FOR CRIB

[75] Inventors: **Joseph C. Cacciola**, Hudson, Ohio;
Elizabeth Knight, Westwood, Mass.;
Jeffery G. Martin, Hudson, Ohio

[73] Assignee: **The Little Tikes Company**, Hudson, Ohio

[**] Term: **14 Years**

[21] Appl. No.: **4,430**

[22] Filed: **Feb. 4, 1993**

[52] U.S. Cl. **D21/63; D21/59**

[58] Field of Search **446/227, 236, 398;**
D21/59, 63, 64; D11/141

[56] References Cited

U.S. PATENT DOCUMENTS

D. 237,288	10/1975	Crawford	D34/15
D. 278,446	4/1985	Kujawski et al.	D21/63
D. 285,946	9/1986	Toth	D21/63
D. 299,936	2/1989	Williams et al.	D21/63
D. 300,437	3/1989	Copper et al.	D21/63
D. 323,192	1/1992	Takahashi et al.	D21/63
3,927,482	12/1975	Marcus	40/28.1
3,983,647	10/1976	Stubbsmann	40/28.1
4,207,696	6/1980	Hyman et al.	40/473
4,363,181	12/1982	Hyman et al.	40/466
4,640,034	2/1987	Zishslitz	40/455
4,756,109	7/1988	Marcus	40/613
4,904,220	2/1990	Williams et al.	446/227

OTHER PUBLICATIONS

Catalog Page, Mobile; Dolly, Inc., 320 N. Fourth St., Tipp City, Oh. 45371, publication date 1992.

Catalog Page, Mobiles; Pansy Ellen, 1245 Old Alpharetta Rd., Alpharetta, Ga. 30201, publication date 1989.

Page 5, Mobile; Playskool, A Division of Hasbro, Inc., 1027 Newport Ave., P.O. Box 1059, Pawtucket, R.I. 02862-1059, publication date 1991.

Page 6, Mobile; Mattel Inc., Hawthorne, Ca. 90250, publication date 1990.

Label, Mobile; Shelcore, Inc., South Plainfield, N.J. 07080, publication date 1988.

Primary Examiner—Bernard Ansher

Assistant Examiner—Dominic Simone

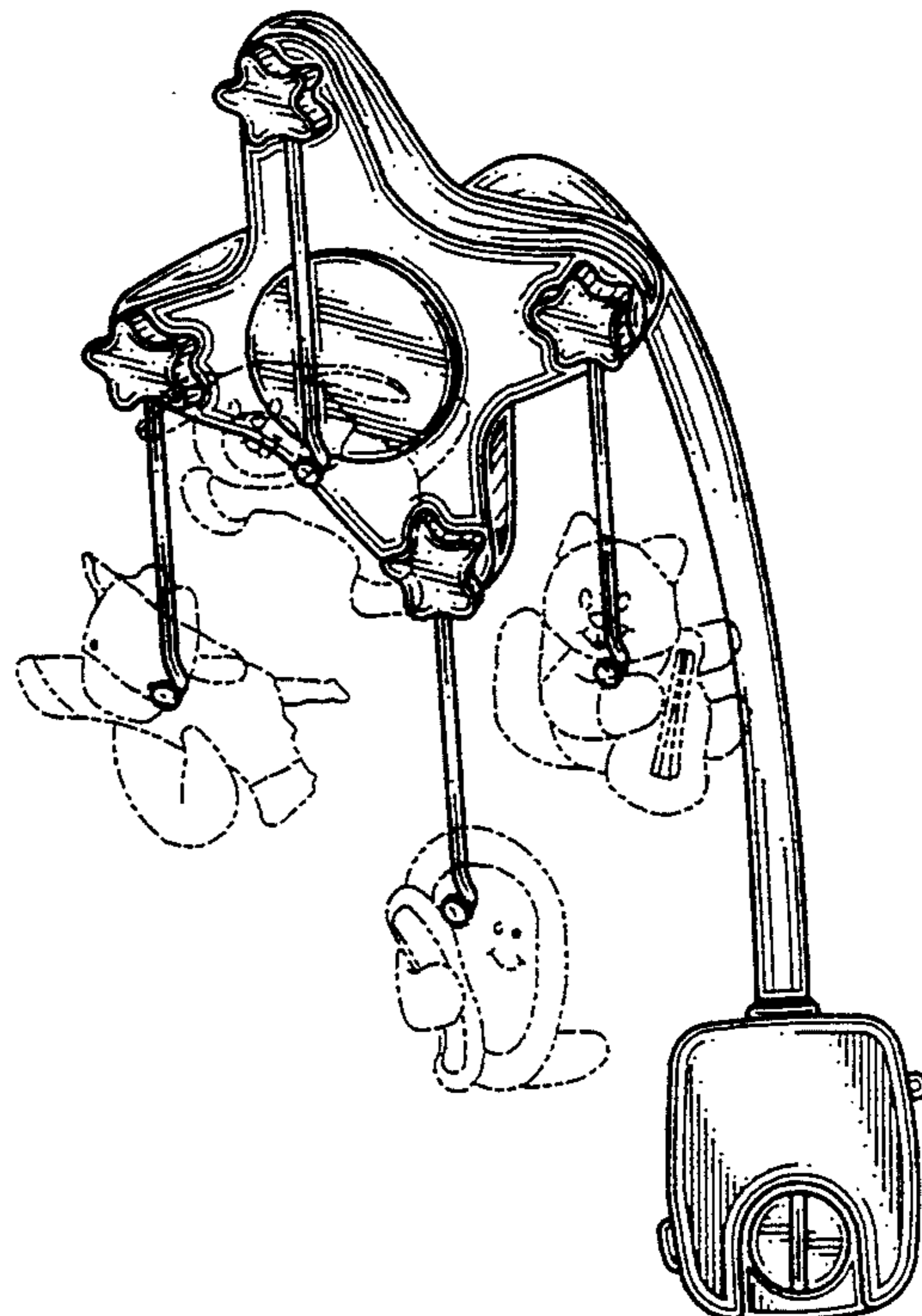
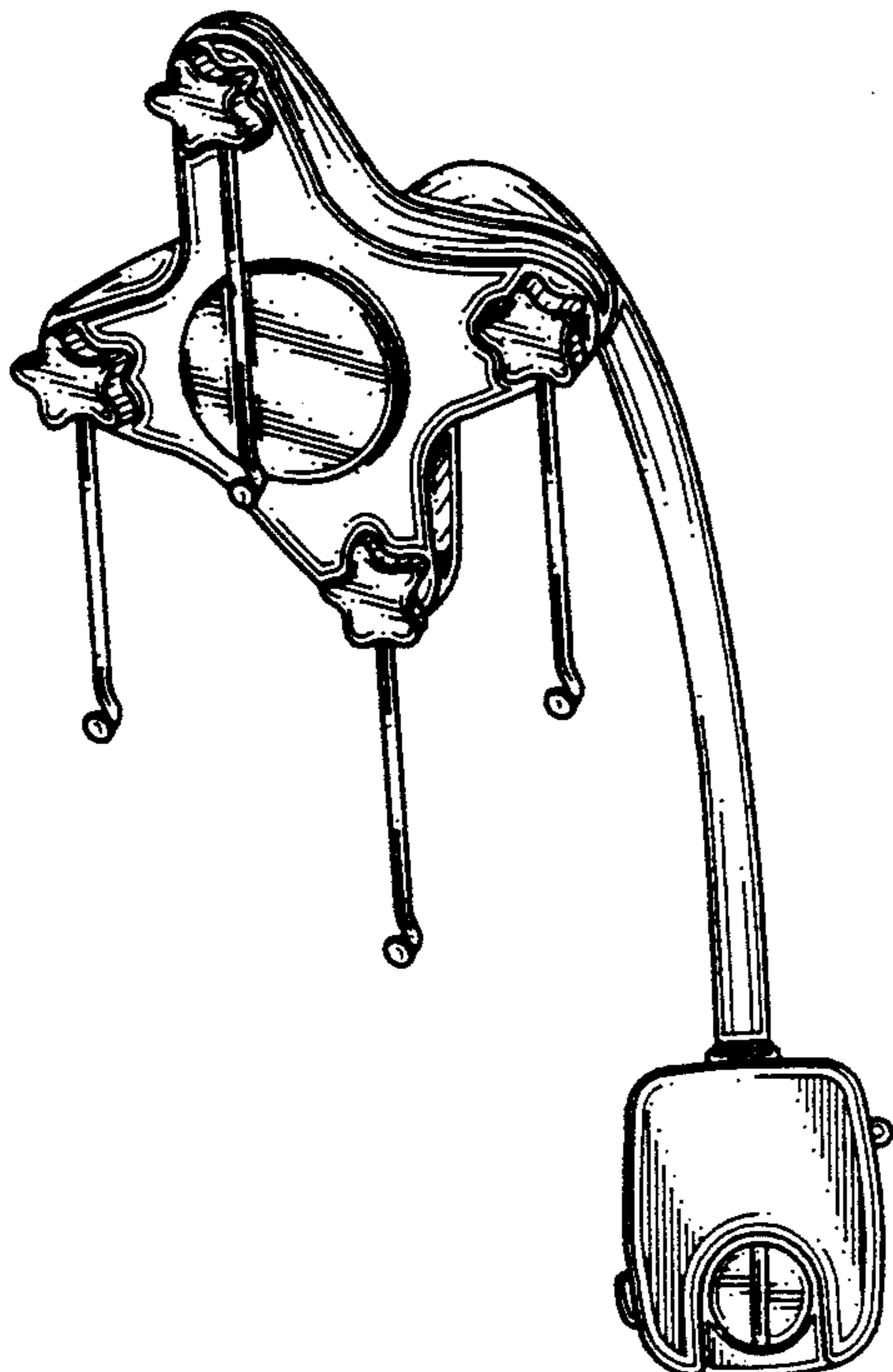
Attorney, Agent, or Firm—Richard B. O'Planick; Lisa B. Riedesel

[57] CLAIM

The ornamental design for a mobile for crib, as shown and described.

DESCRIPTION

FIG. 1 is a bottom right front perspective view of a mobile for crib showing our new design; FIG. 2 is a front elevational view thereof; FIG. 3 is a rear elevational view thereof; FIG. 4 is a right side elevational view thereof; FIG. 5 is a left side elevational view thereof; FIG. 6 is a top plan view thereof; FIG. 7 is a bottom plan view thereof; and, FIG. 8 is a bottom right front perspective view thereof, the broken lines are for illustrative purposes only and form no part of the claimed design.



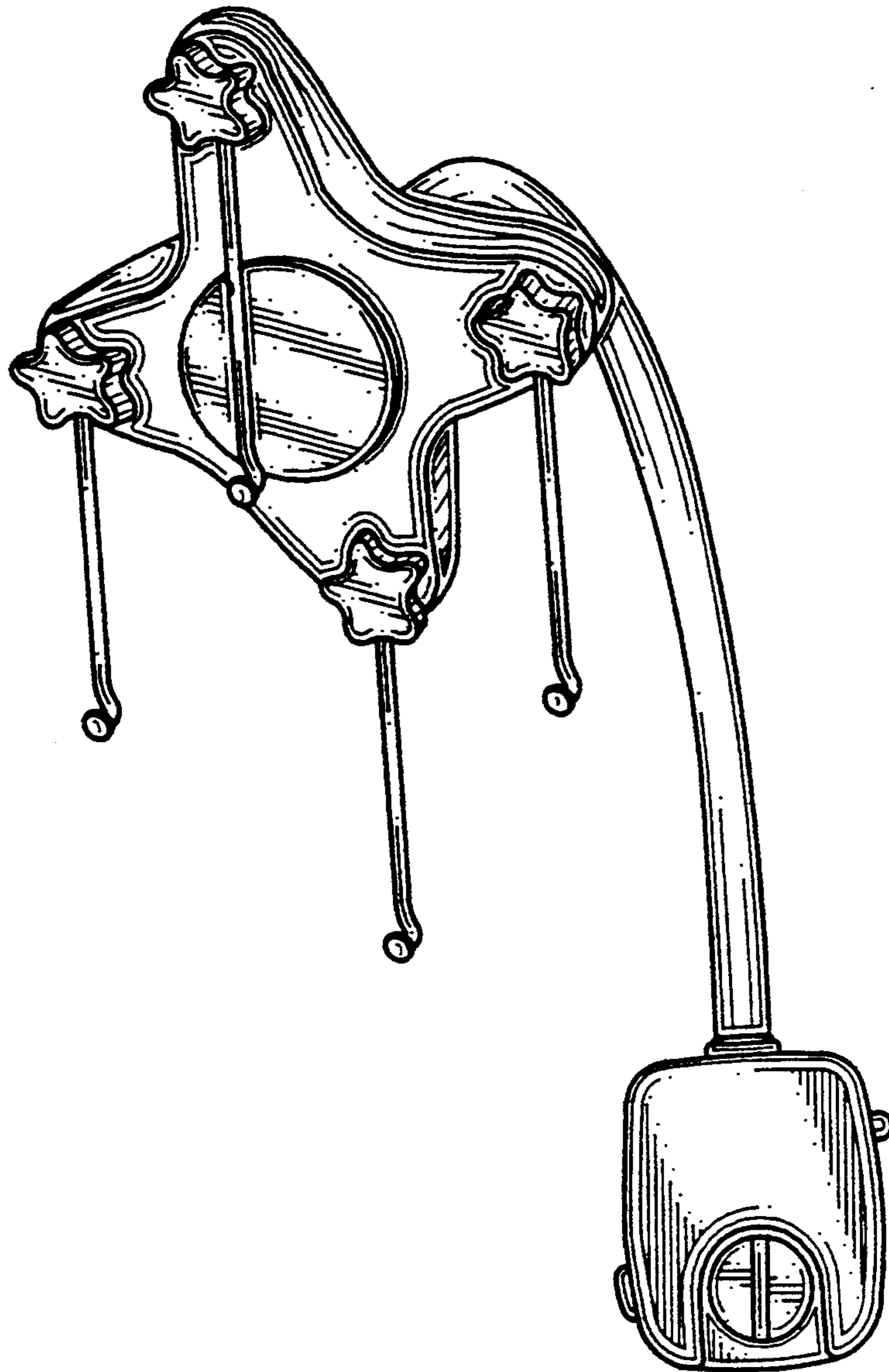


FIG. 1

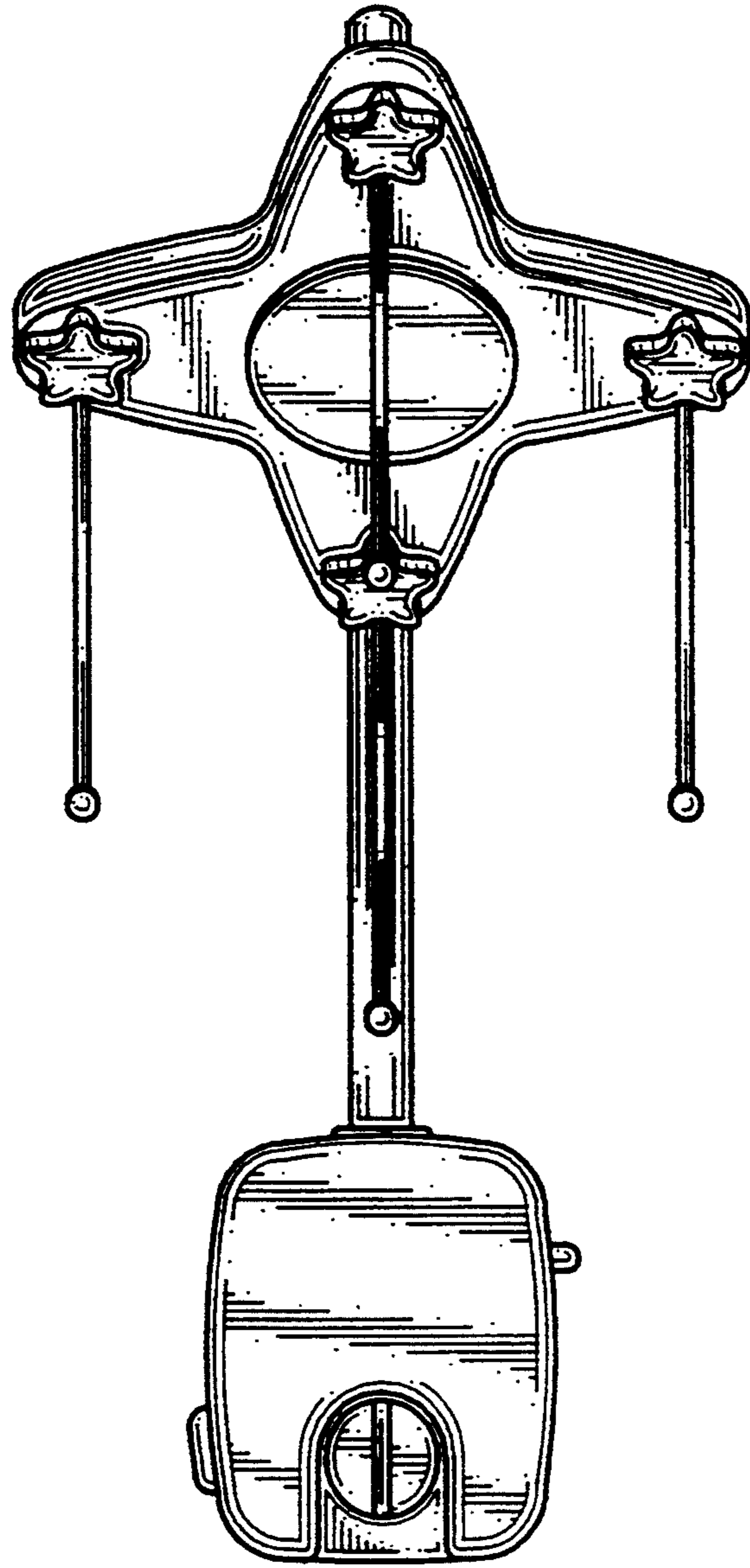


FIG. 2

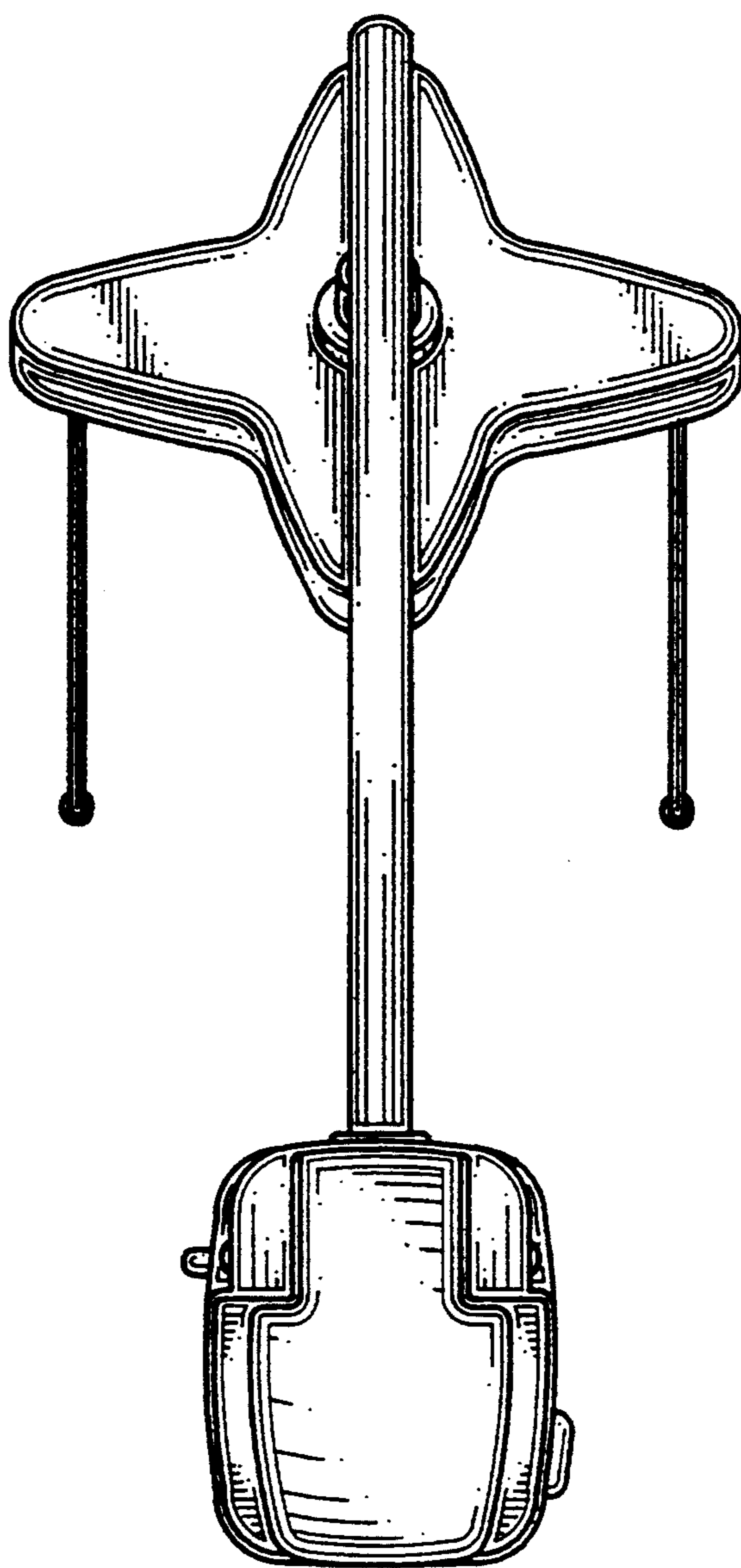


FIG. 3

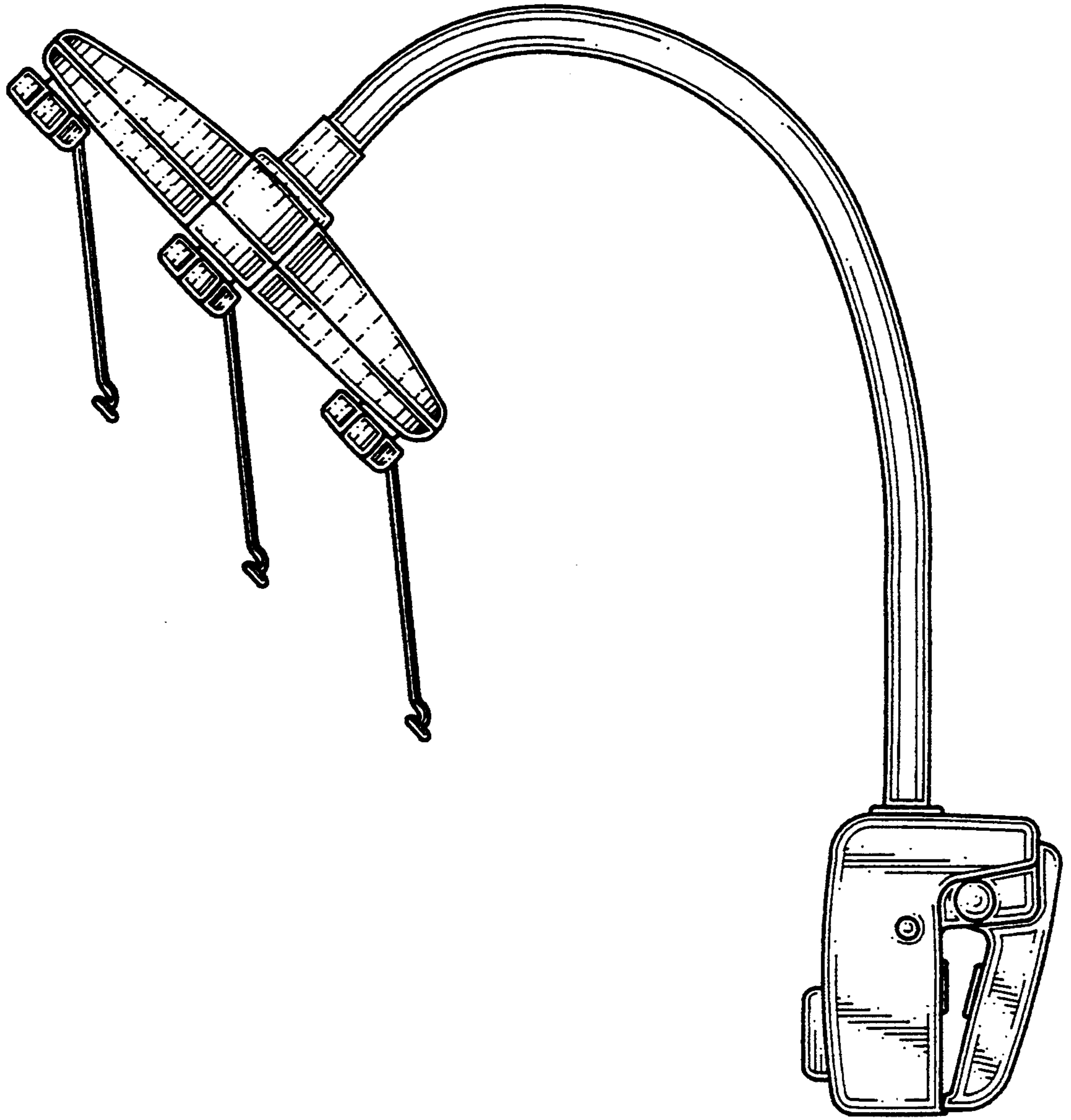


FIG. 4

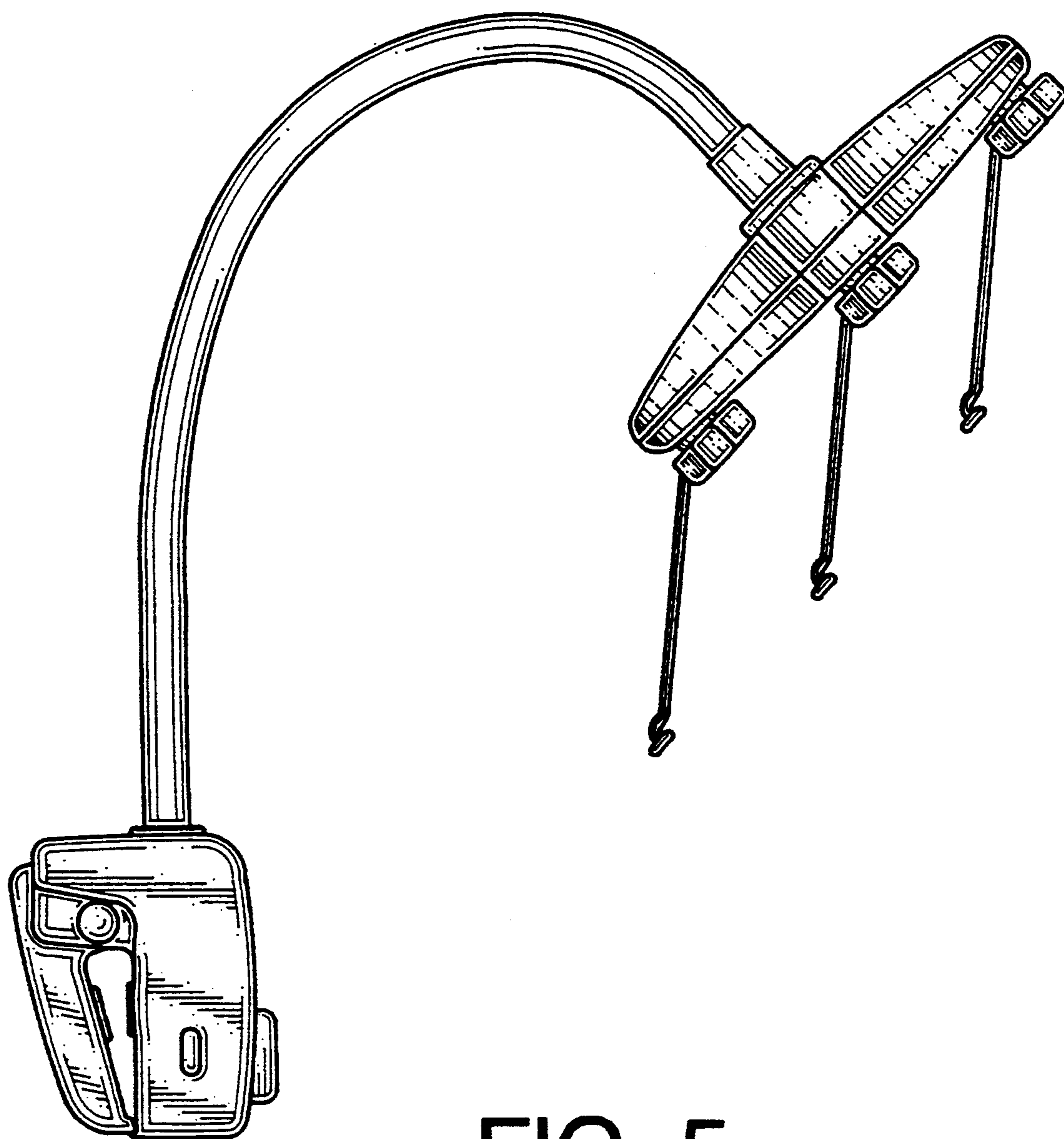


FIG. 5

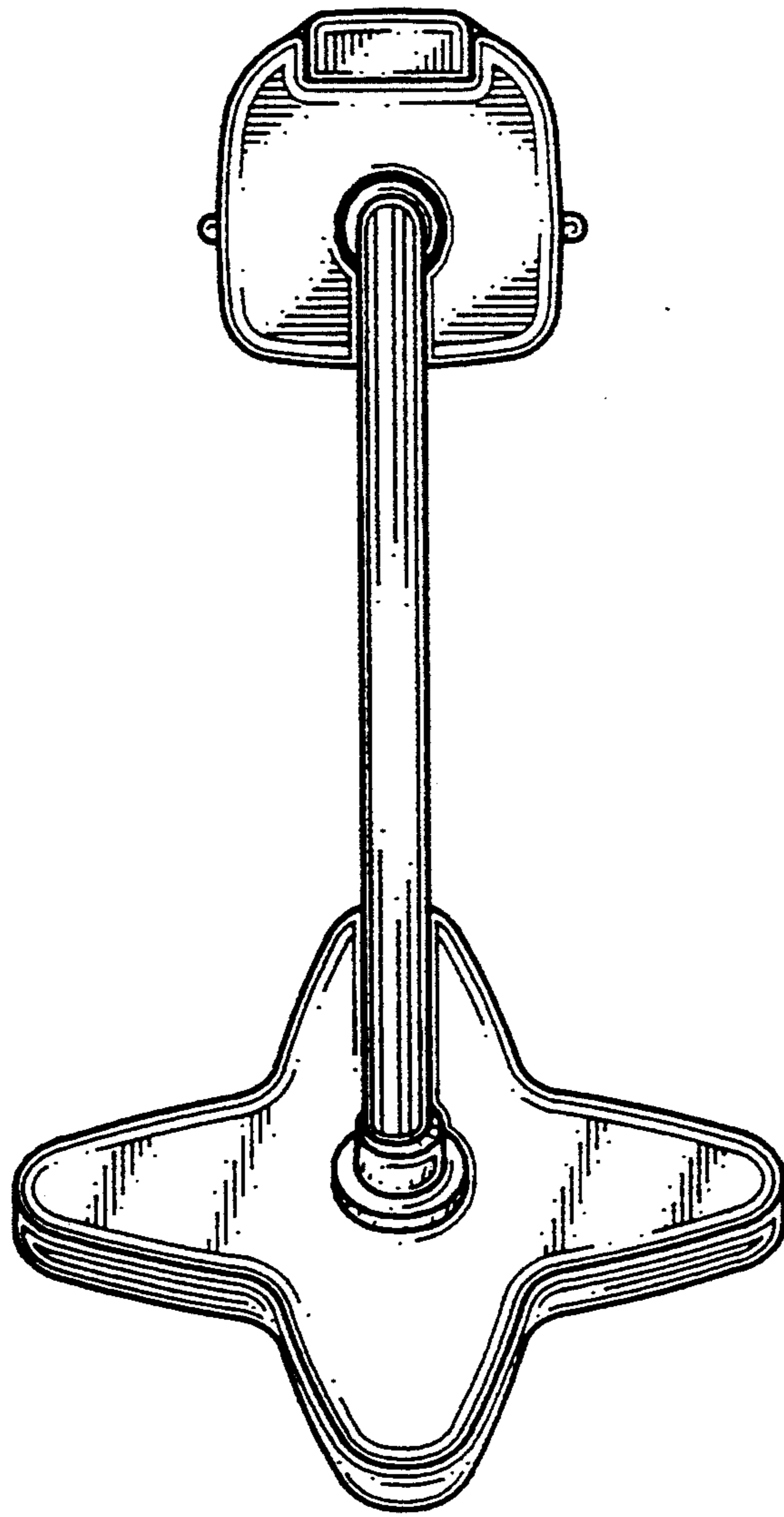


FIG. 6

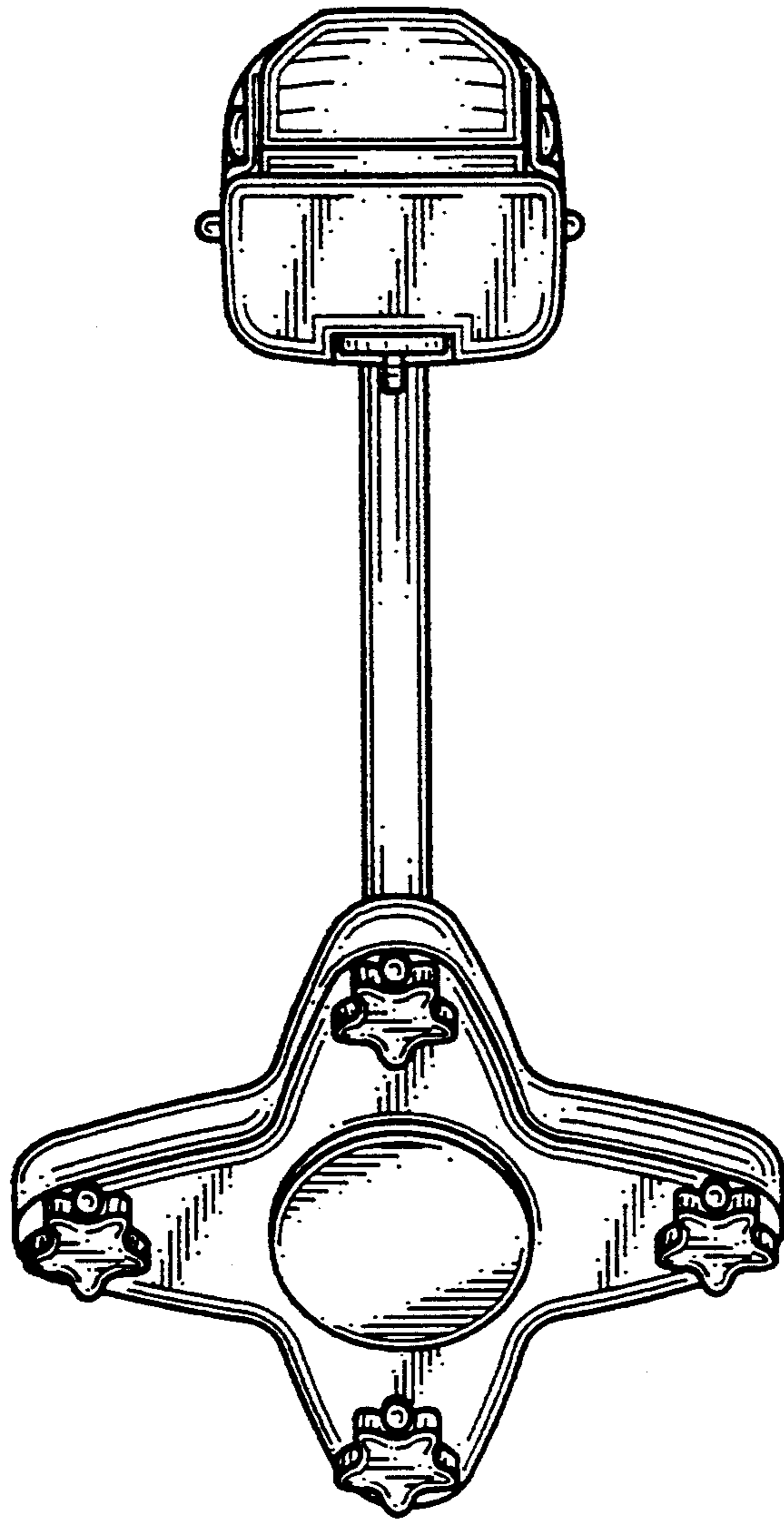


FIG. 7

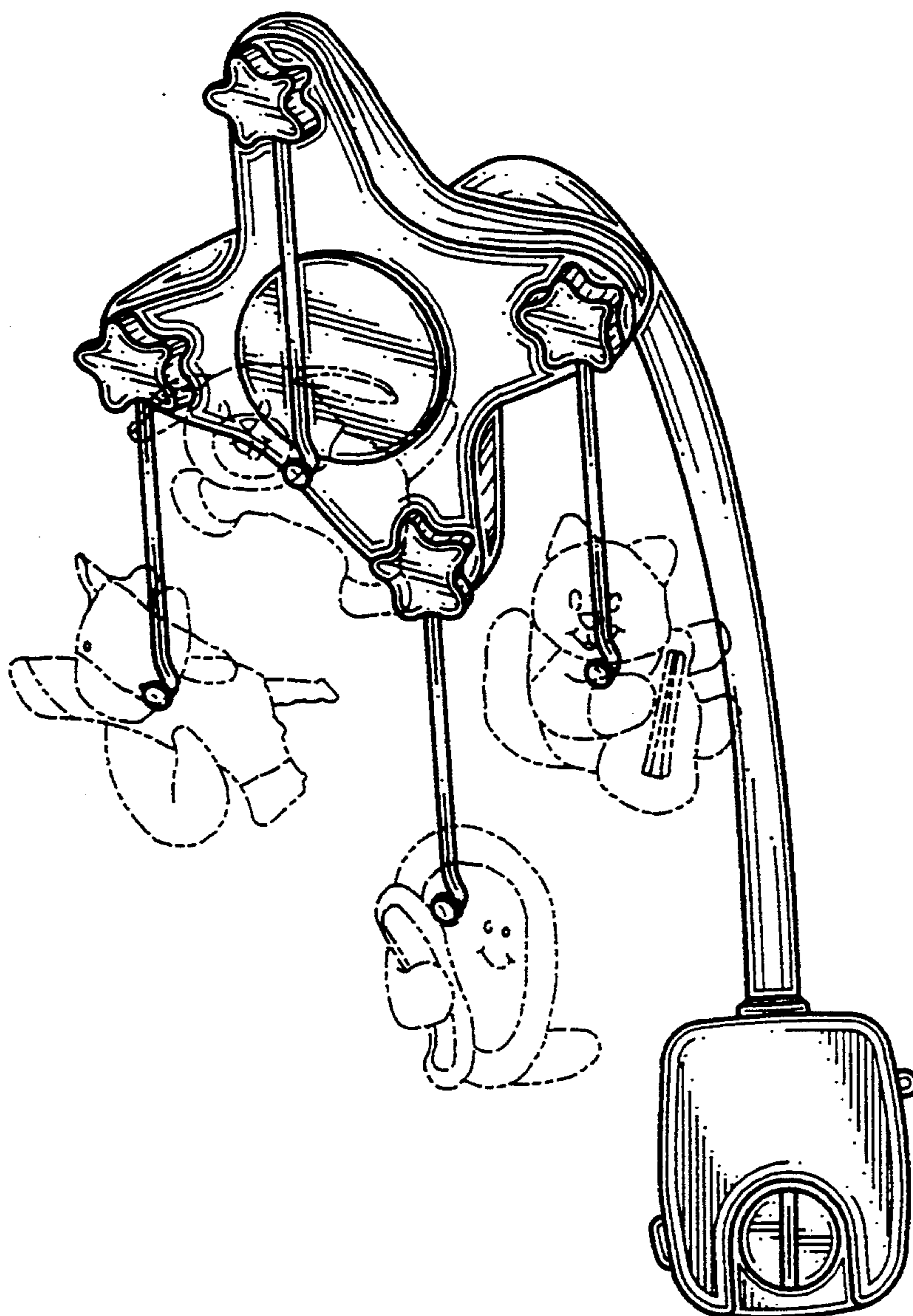


FIG. 8