



US00D349734S

United States Patent [19]

Richards

[11] Patent Number: **Des. 349,734**

[45] Date of Patent: **** Aug. 16, 1994**

[54] **ACTIVITY TOY**

[75] Inventor: **Martin J. Richards**, Nottingham, England

[73] Assignee: **Britains Petite Limited**, United Kingdom

[**] Term: **14 Years**

[21] Appl. No.: **885,622**

[22] Filed: **Apr. 9, 1992**

[30] Foreign Application Priority Data

- Oct. 23, 1991 [GB] United Kingdom 2018492
- Oct. 23, 1991 [GB] United Kingdom 2018493
- Oct. 23, 1991 [GB] United Kingdom 2018494
- [52] U.S. Cl. **D21/59; D21/63**
- [58] Field of Search 446/227; 434/258, 260; D21/59, 63, 64, 111

[56] References Cited

U.S. PATENT DOCUMENTS

- D. 276,056 10/1984 Chatoni D21/63 X
- D. 281,516 11/1985 Wong D21/63 X
- D. 287,521 12/1986 Ohara D21/59 X

- D. 306,619 3/1990 Doi D21/111 X
- D. 321,384 11/1991 Cheung et al. D21/59 X
- 4,594,072 6/1986 Cowell 446/227

Primary Examiner—Bernard Ansher
Assistant Examiner—Dominic Simone
Attorney, Agent, or Firm—Kirschstein et al.

[57] CLAIM

The ornamental design for an activity toy, as shown and described.

DESCRIPTION

FIG. 1 is a front perspective view of an activity toy showing my new design;
 FIG. 2 is a rear perspective view thereof;
 FIG. 3 is a front elevational view thereof;
 FIG. 4 is a rear elevational view thereof;
 FIG. 5 is a top plan view thereof;
 FIG. 6 is a bottom plan view thereof;
 FIG. 7 is a left side elevational view thereof;
 FIG. 8 is a right side elevational view thereof;
 FIG. 9 is a front perspective view thereof, showing parts in an opened position; and,
 FIG. 10 is a rear perspective view thereof, showing parts in an opened position.

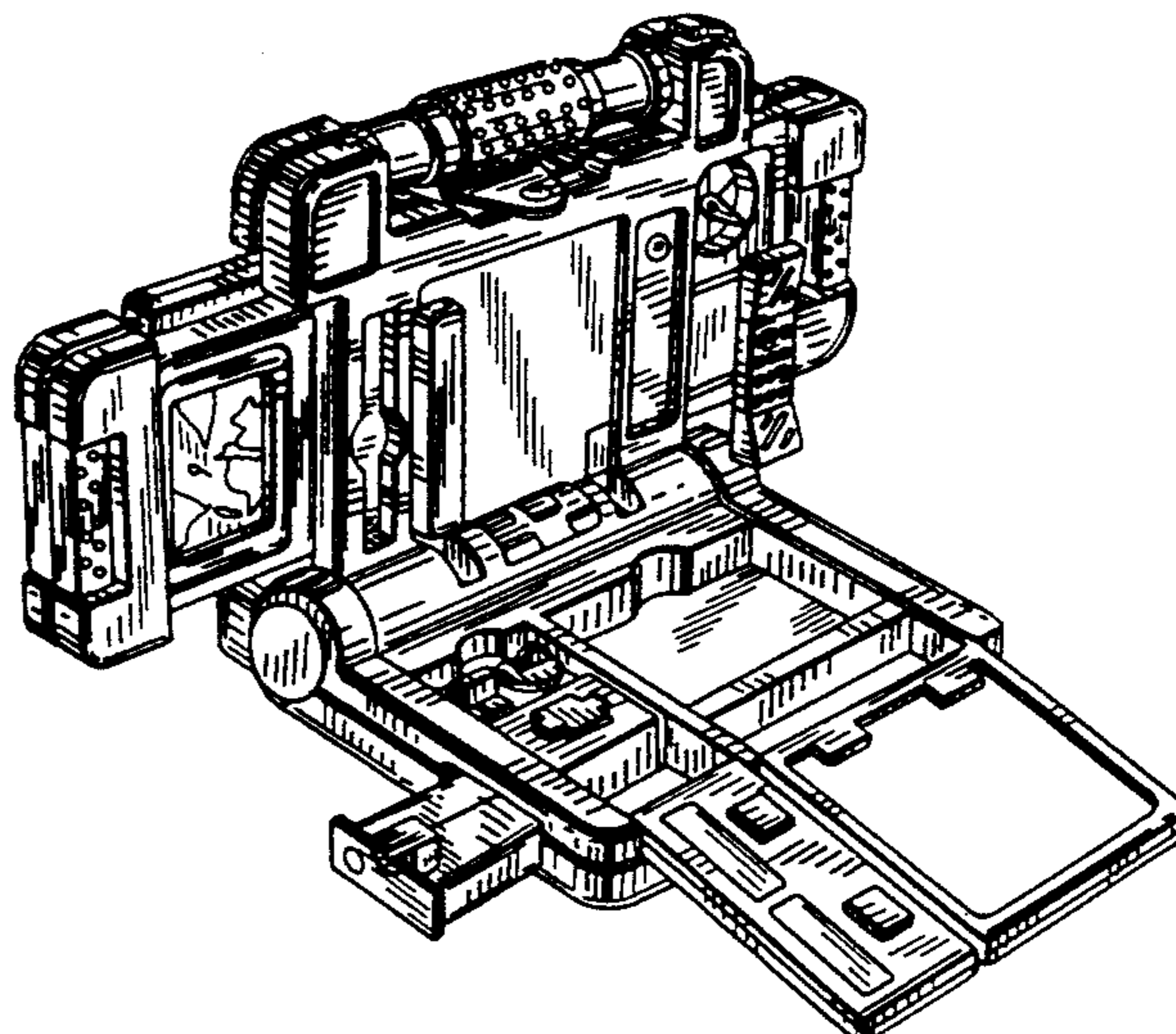
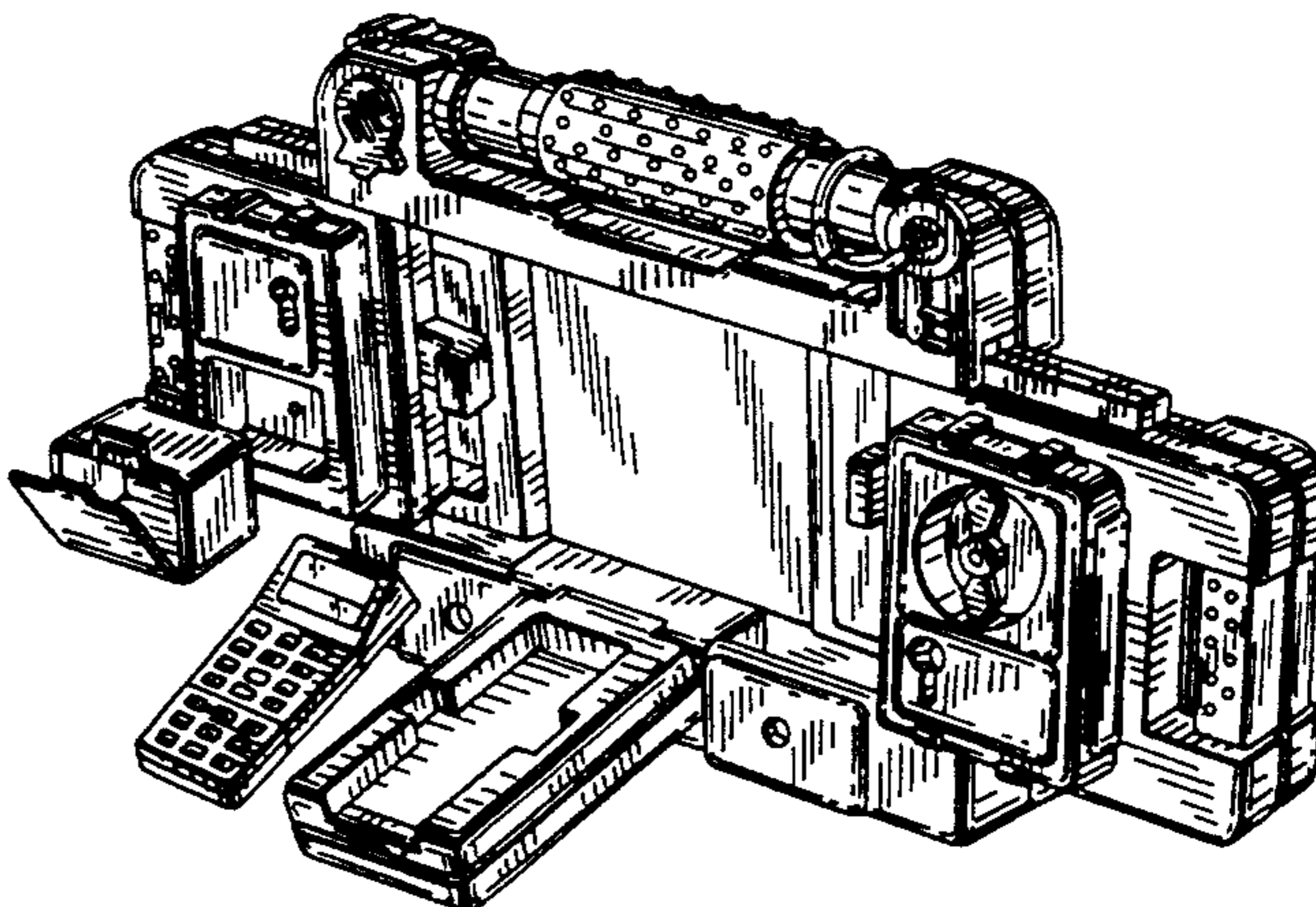
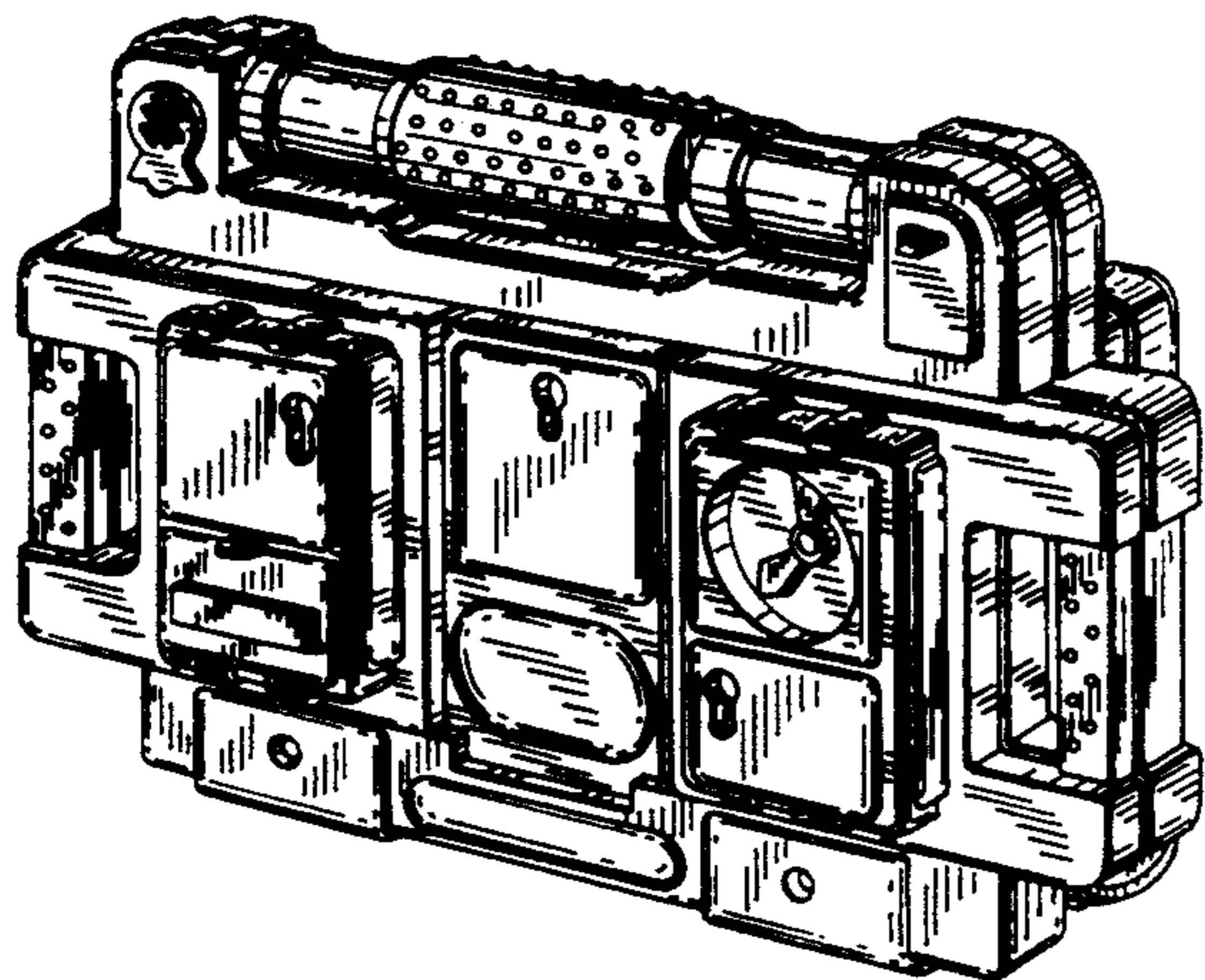


FIG. 1

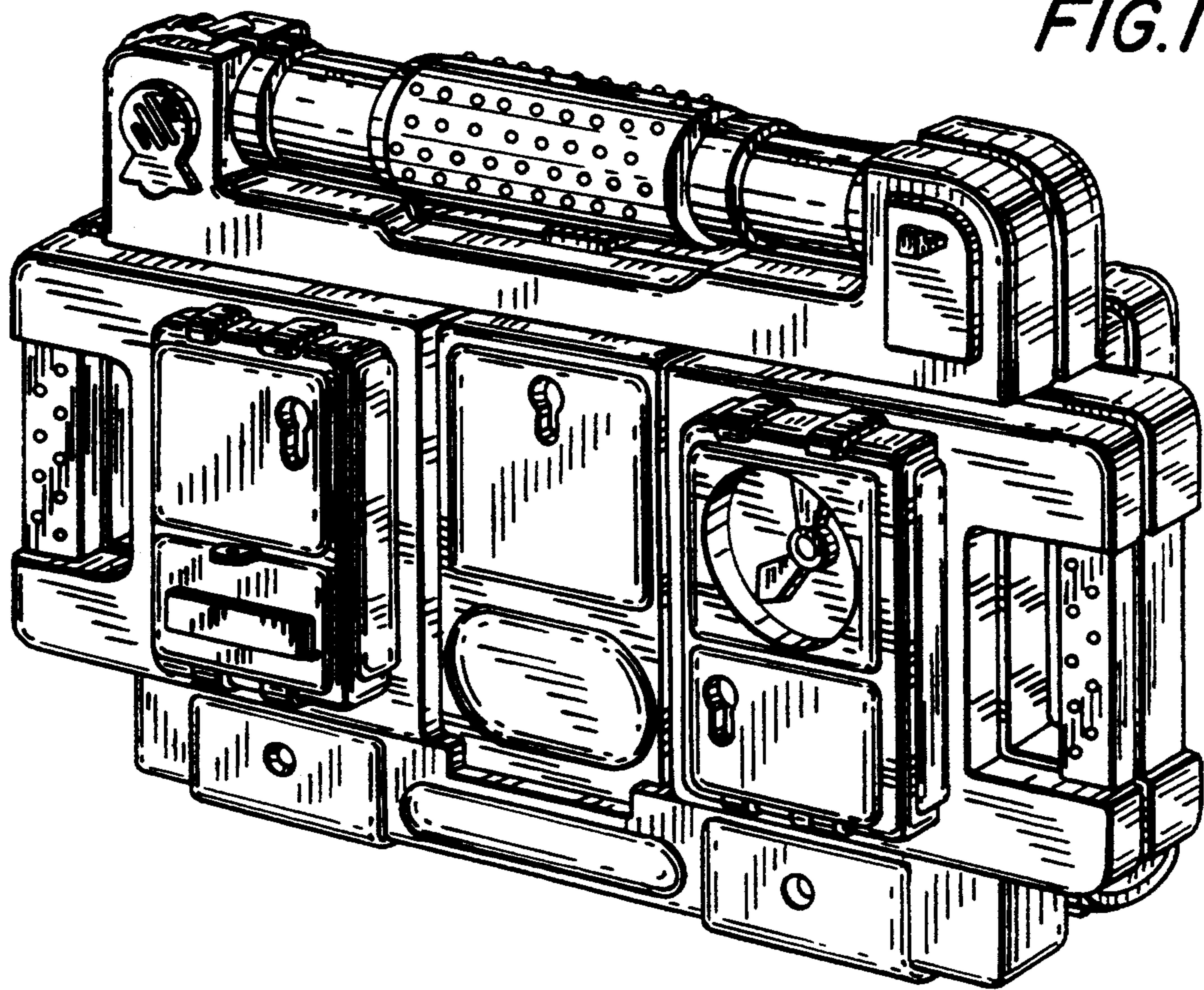


FIG. 2

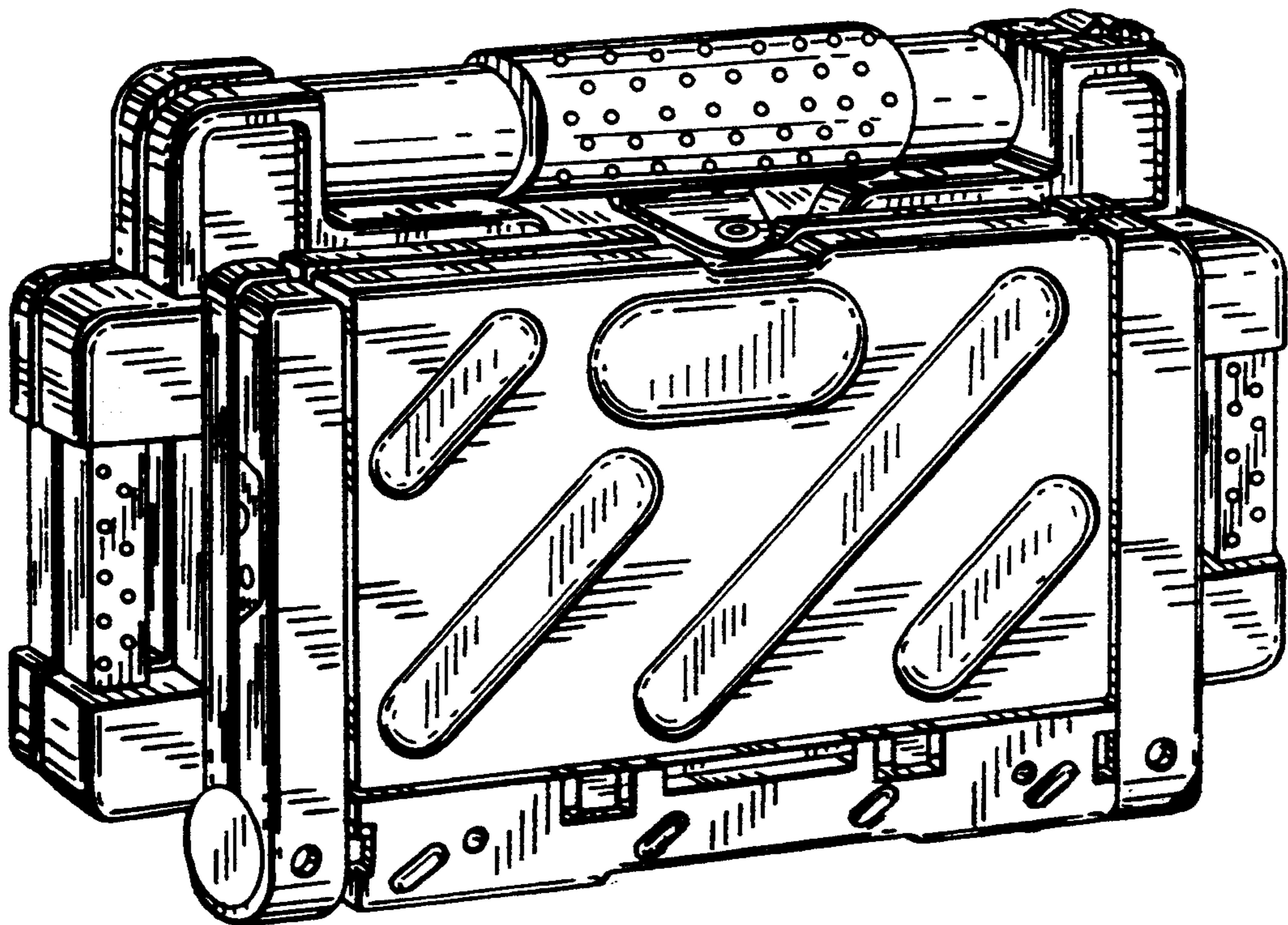


FIG. 3

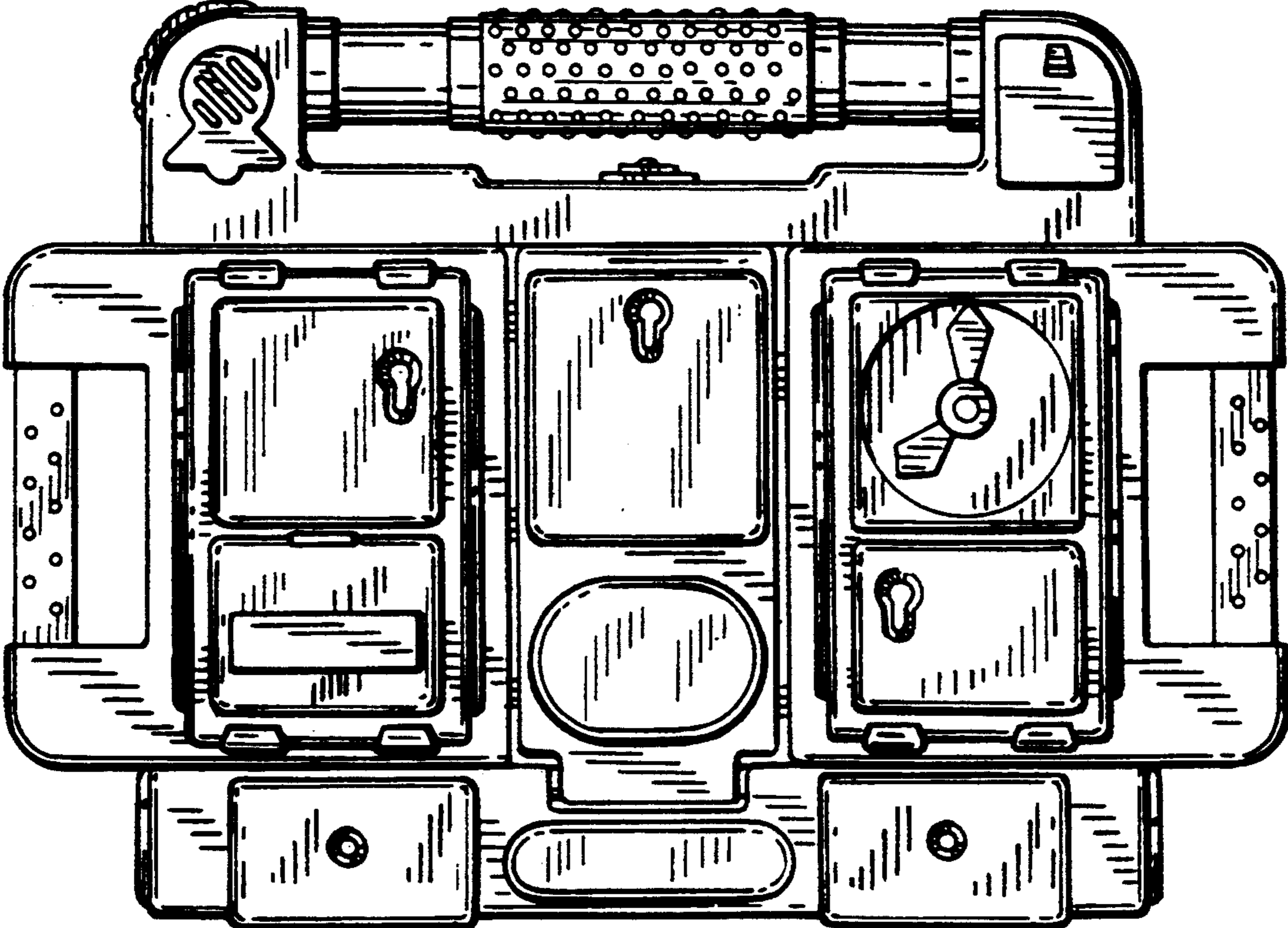


FIG. 4

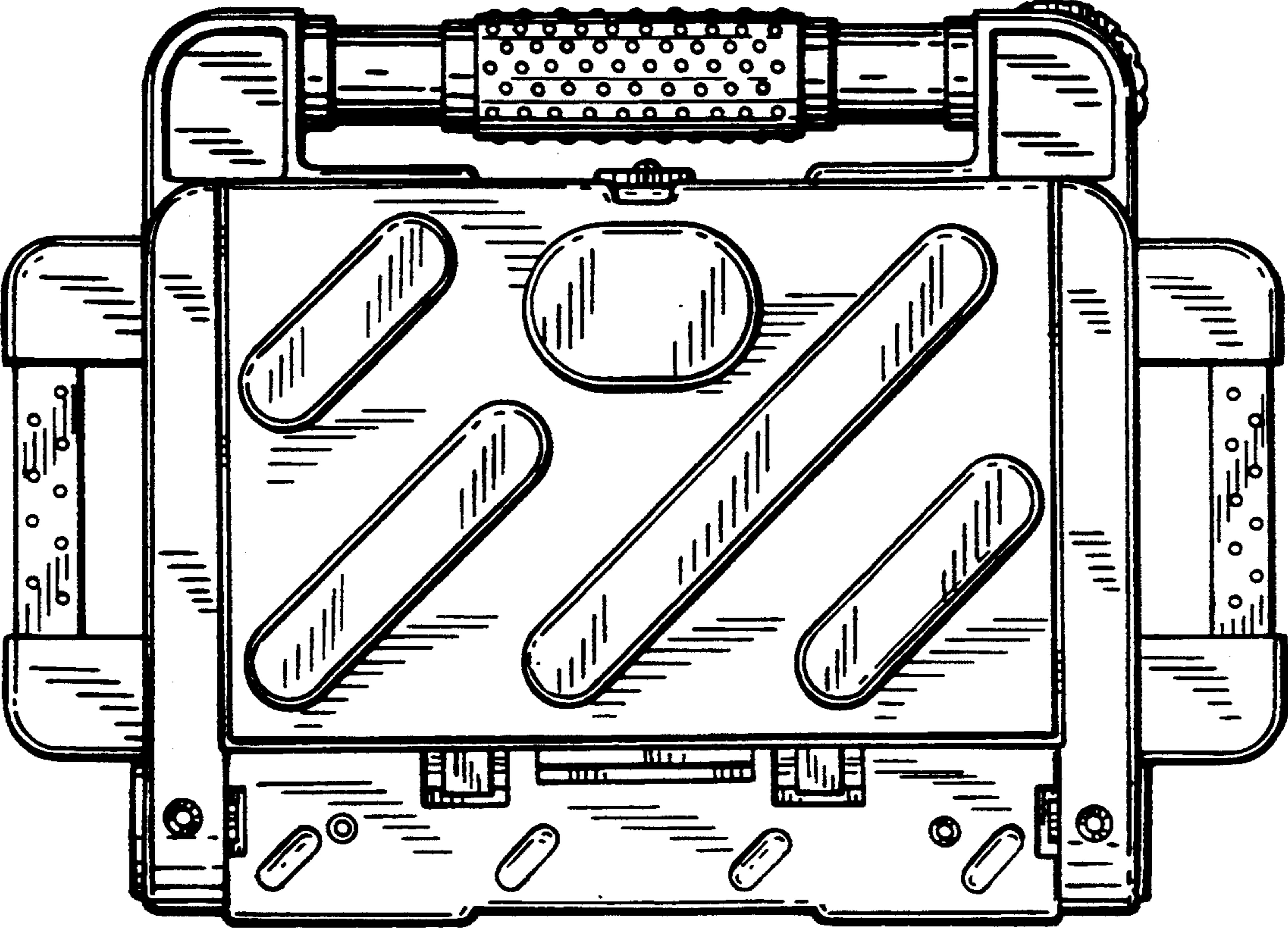


FIG.5

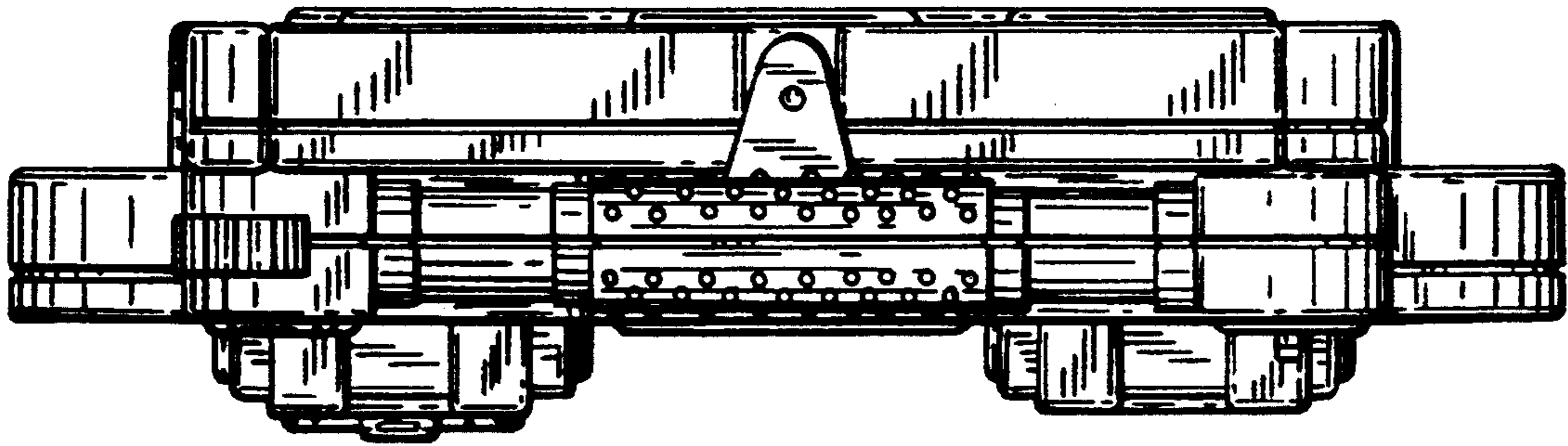


FIG.6

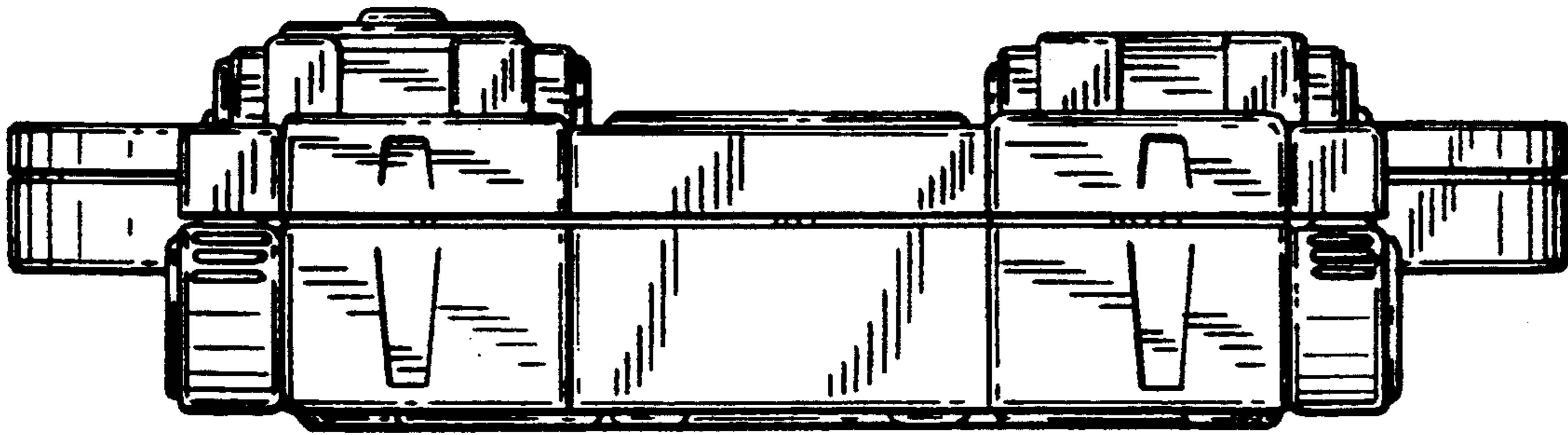


FIG.7

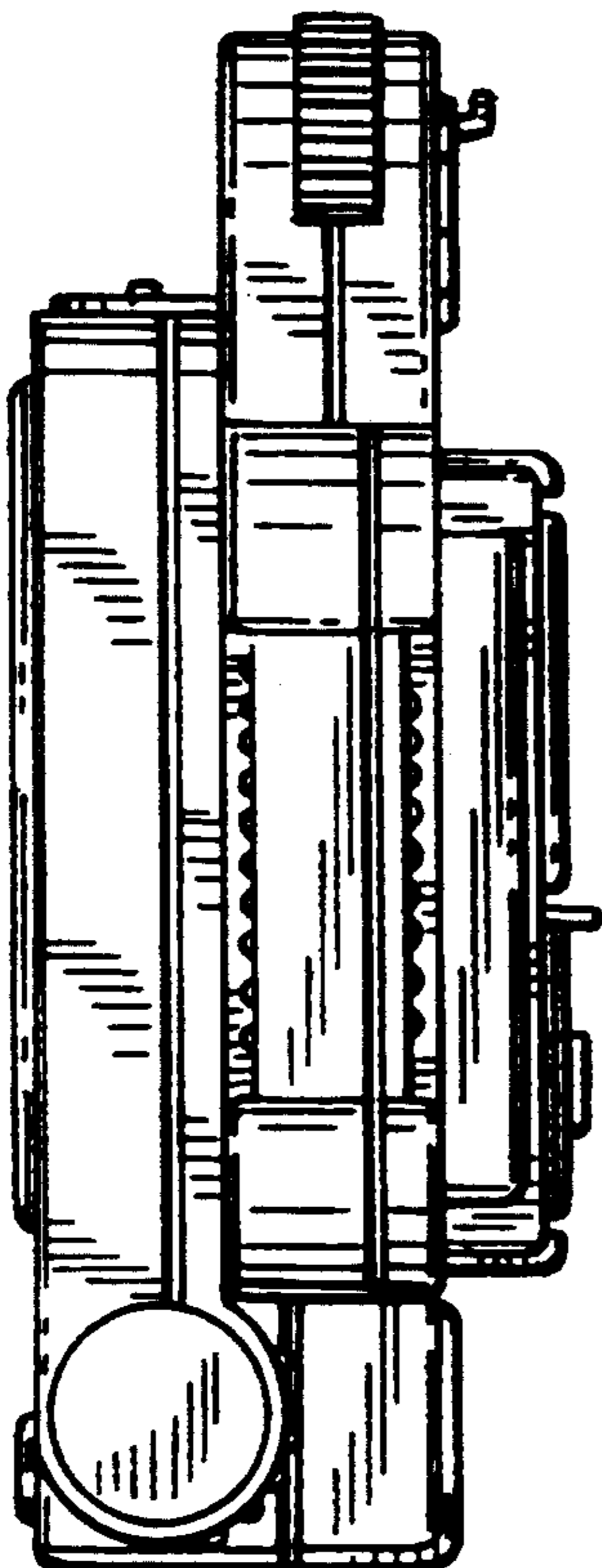


FIG.8

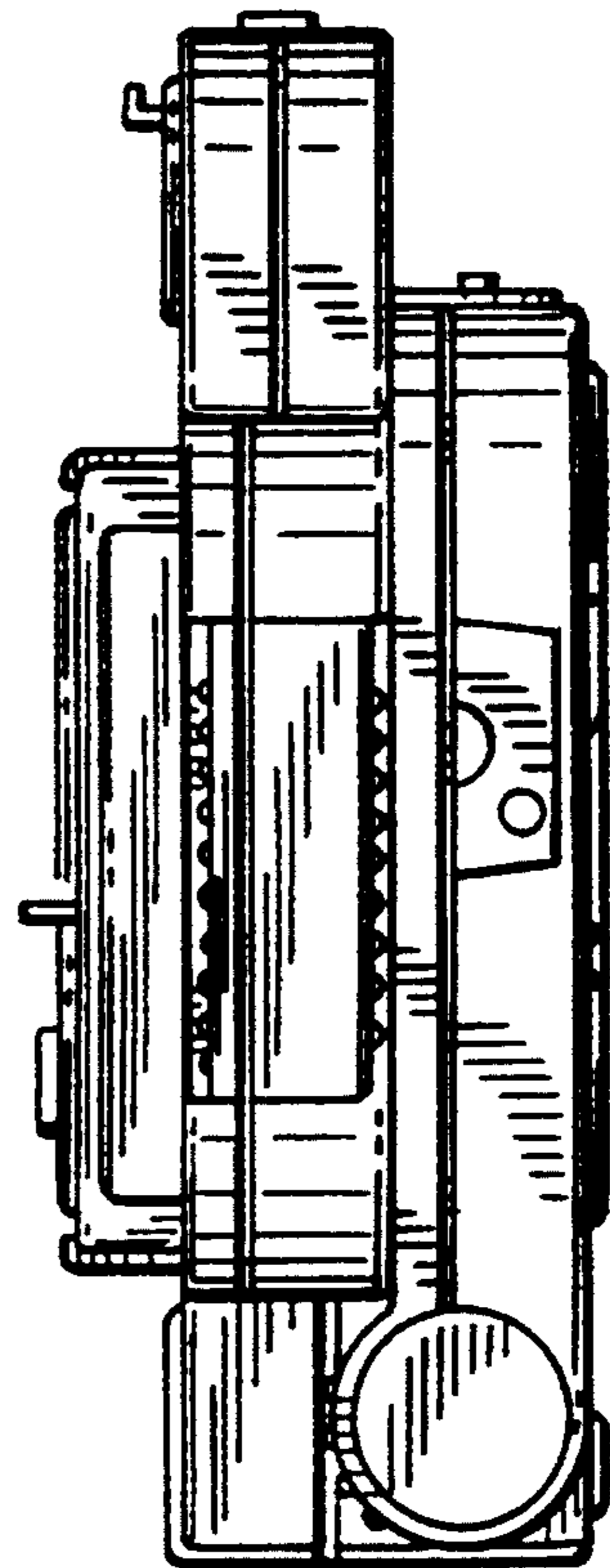


FIG. 9

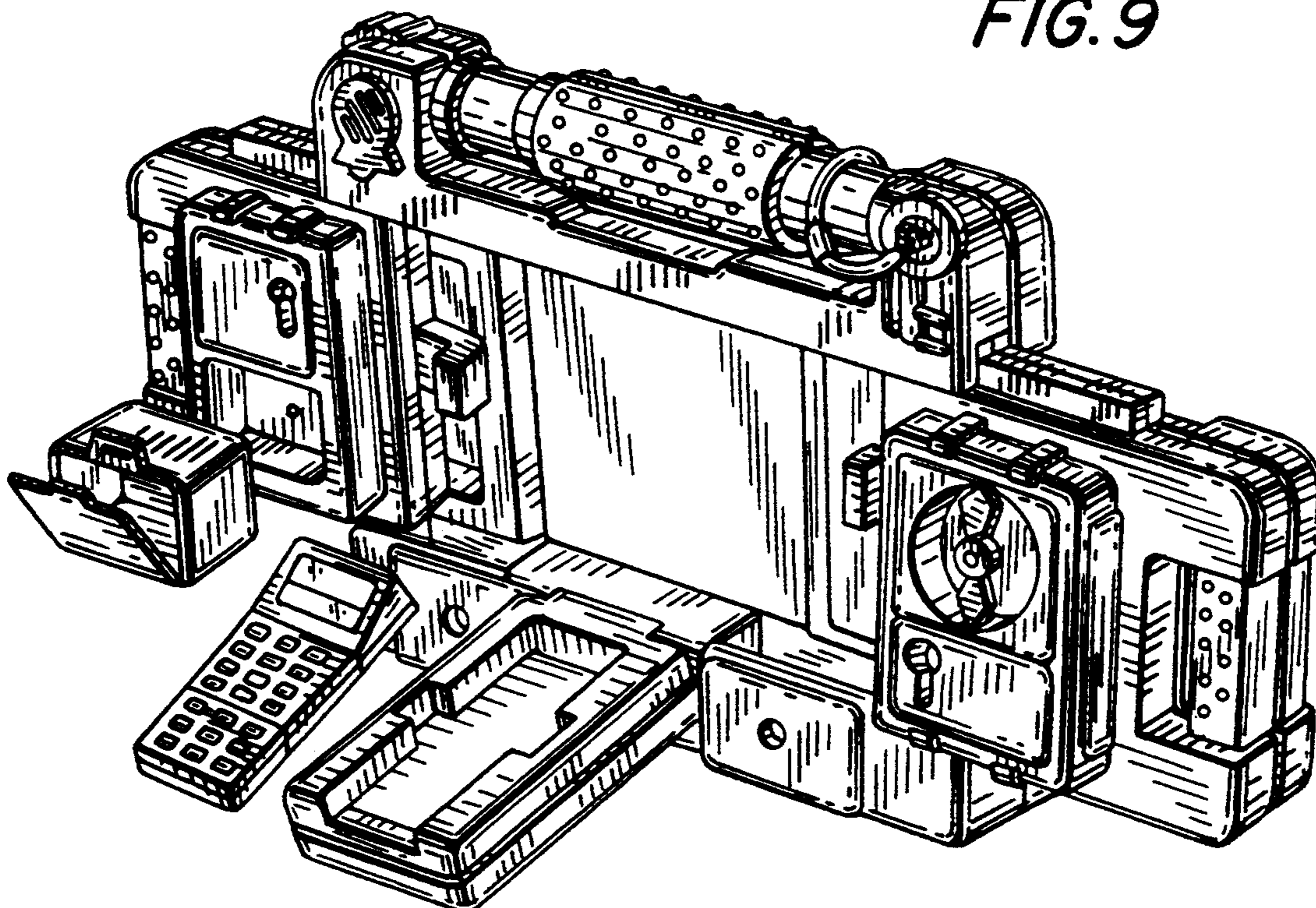


FIG. 10

