



US00D349718S

United States Patent [19] Chen

[11] Patent Number: **Des. 349,718**
[45] Date of Patent: **** Aug. 16, 1994**

[54] **TRIPOD HEAD**
[76] Inventor: **Chien S. Chen**, No. 10, Lane 20,
Chung Yuan Rd., Lu Chou Hsiang,
Taipei Hsien, Taiwan
[**] Term: **14 Years**
[21] Appl. No.: **1,496**
[22] Filed: **Nov. 16, 1992**
[52] U.S. Cl. **D16/245**
[58] Field of Search 248/177-181,
248/183-185, 187; 354/81, 82, 293; D16/244,
245

5,012,265 4/1991 Nakatani 354/293

Primary Examiner—Bernard Ansher
Assistant Examiner—Adir Aronovich
Attorney, Agent, or Firm—Michael D. Bednarek

[57] CLAIM

The ornamental design for a tripod head, as shown and described.

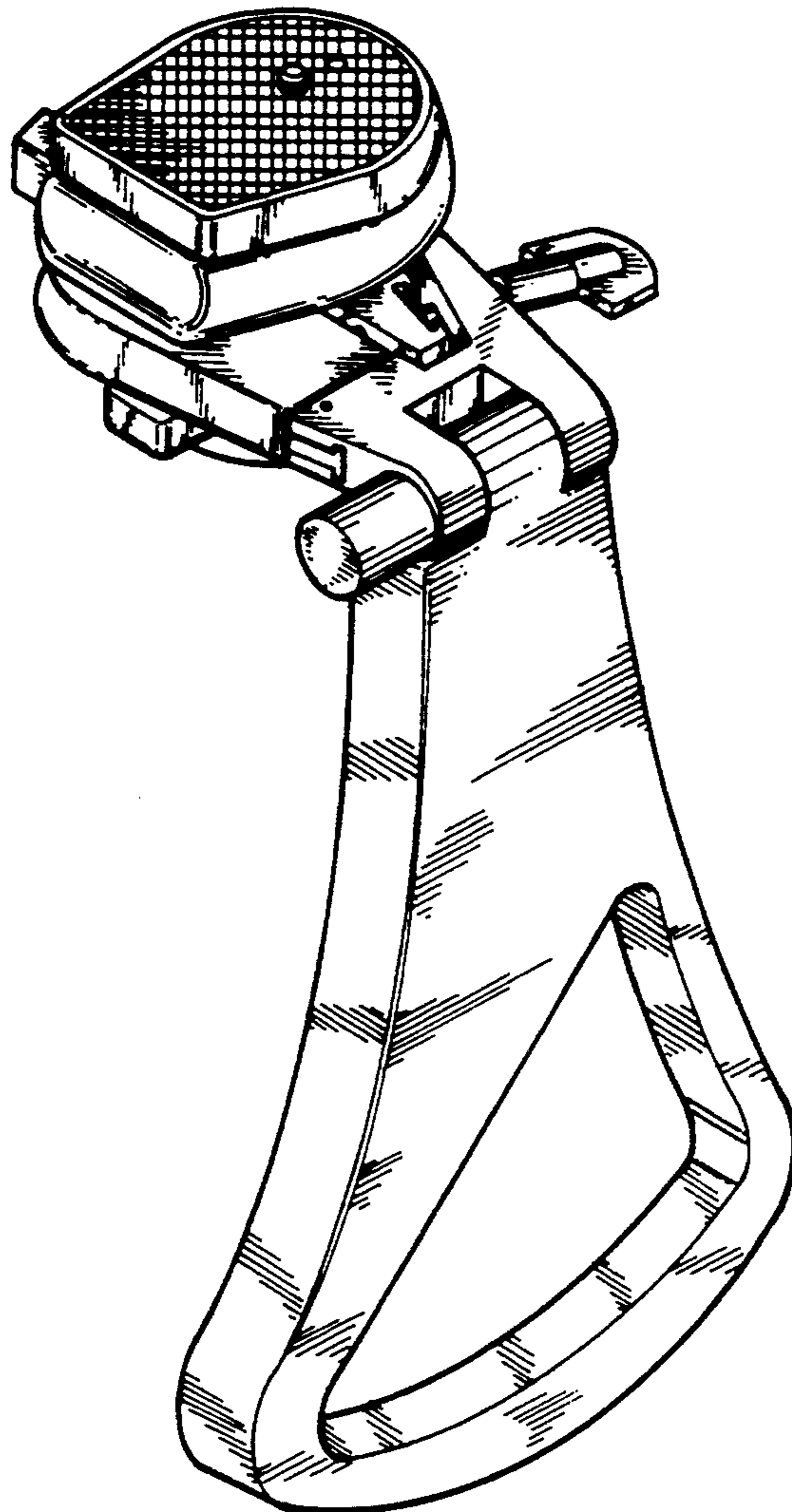
DESCRIPTION

FIG. 1 is a front-right-top perspective view of a tripod head, showing my new design;
FIG. 2 is a front elevational view thereof;
FIG. 3 is a rear elevational view thereof;
FIG. 4 is a left elevational view thereof;
FIG. 5 is a right elevational view thereof;
FIG. 6 is a top plan view thereof;
FIG. 7 is a bottom plan view thereof; and,
FIG. 8 is a top, front and right side perspective view thereof, with a handle in an assembled position, a tripod being shown in broken lines for illustrative purposes only.

[56] References Cited

U.S. PATENT DOCUMENTS

D. 120,642	5/1940	Heward	D16/245
D. 262,635	1/1982	Iwasaki	D16/245
D. 276,730	12/1984	Nakatani	D16/245
D. 289,899	5/1987	Iwasaki	D16/245
D. 303,269	9/1989	Yamaguchi	D16/245
4,247,069	1/1981	Kurz	248/185



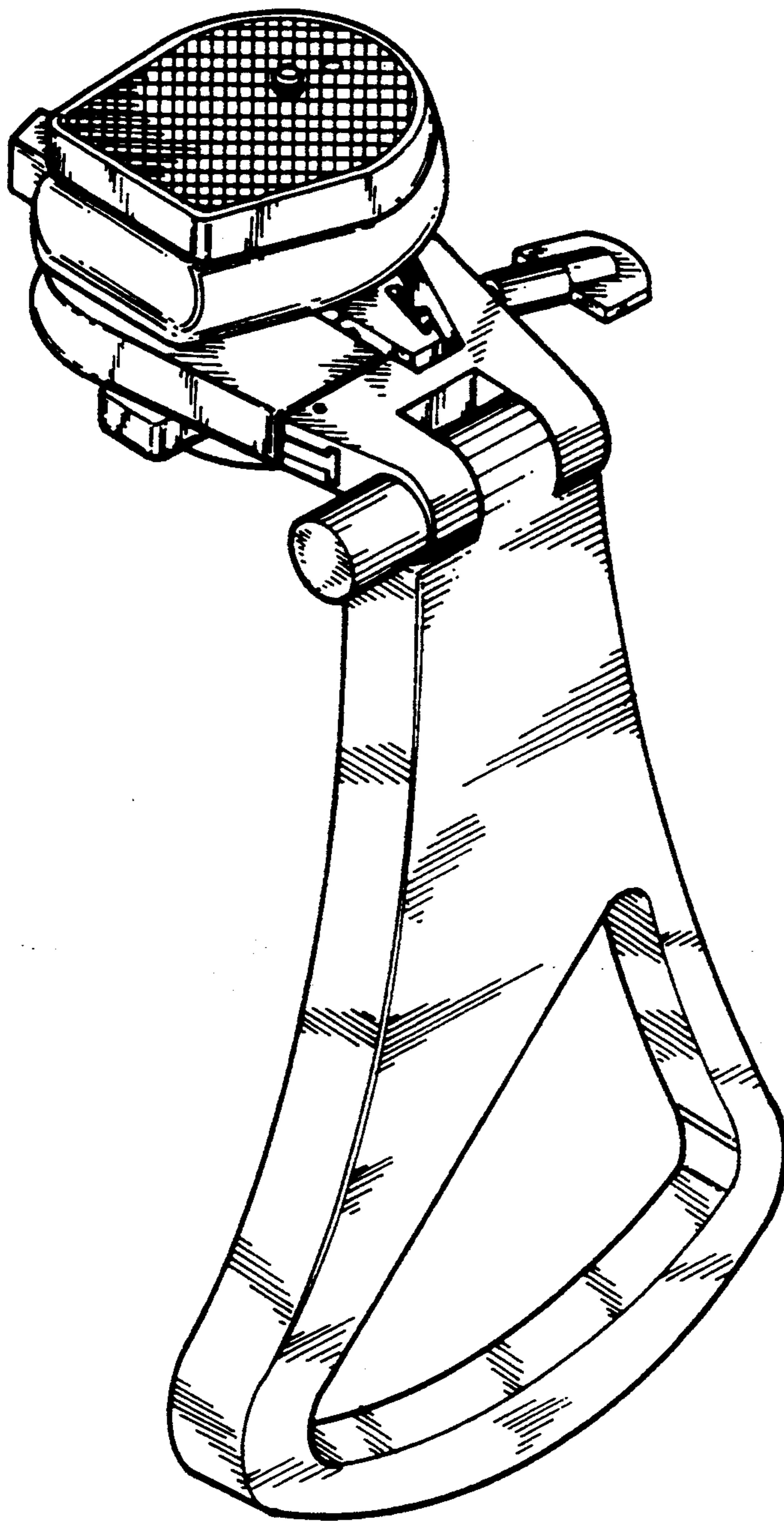


FIG. 1

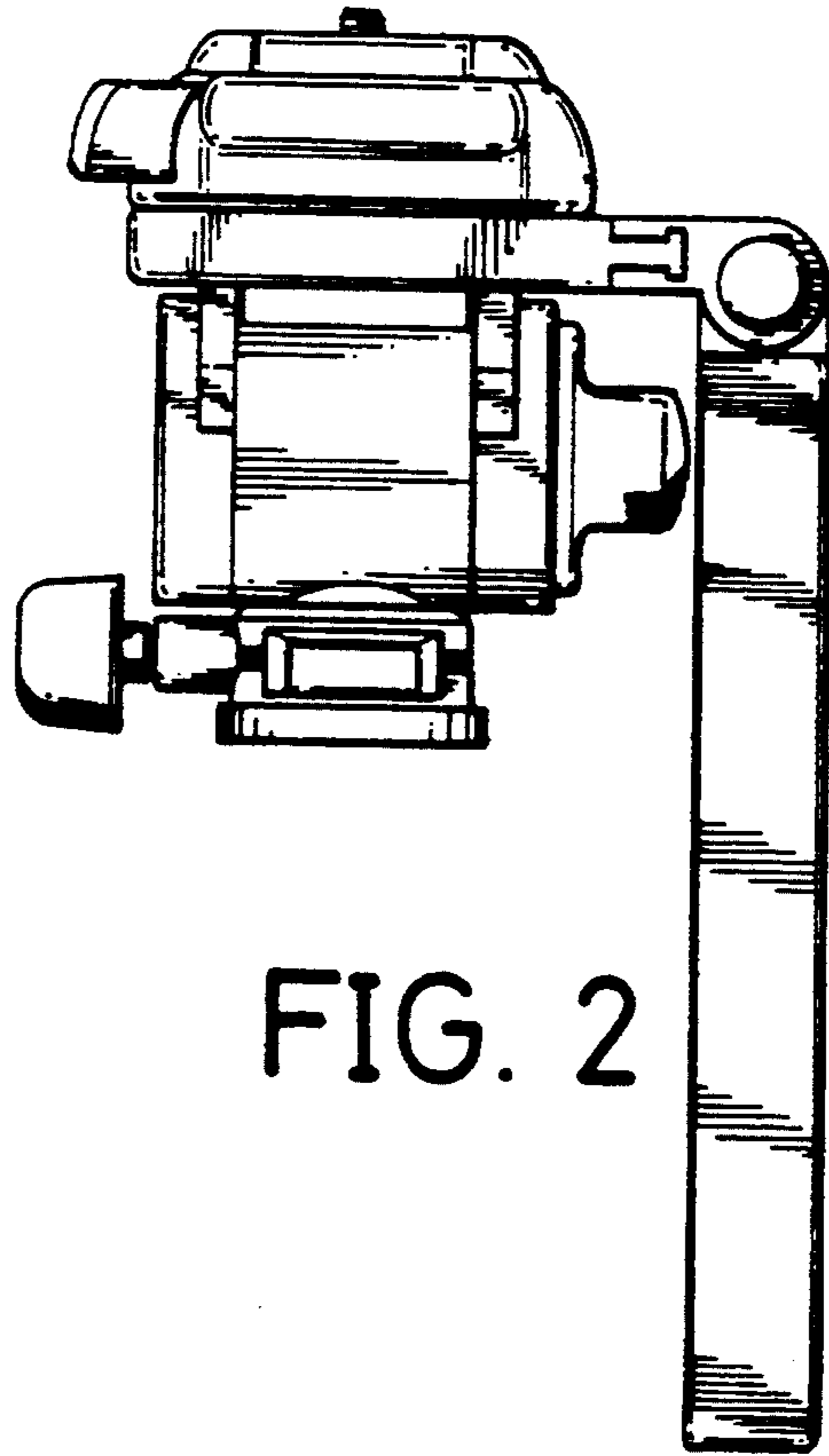


FIG. 2

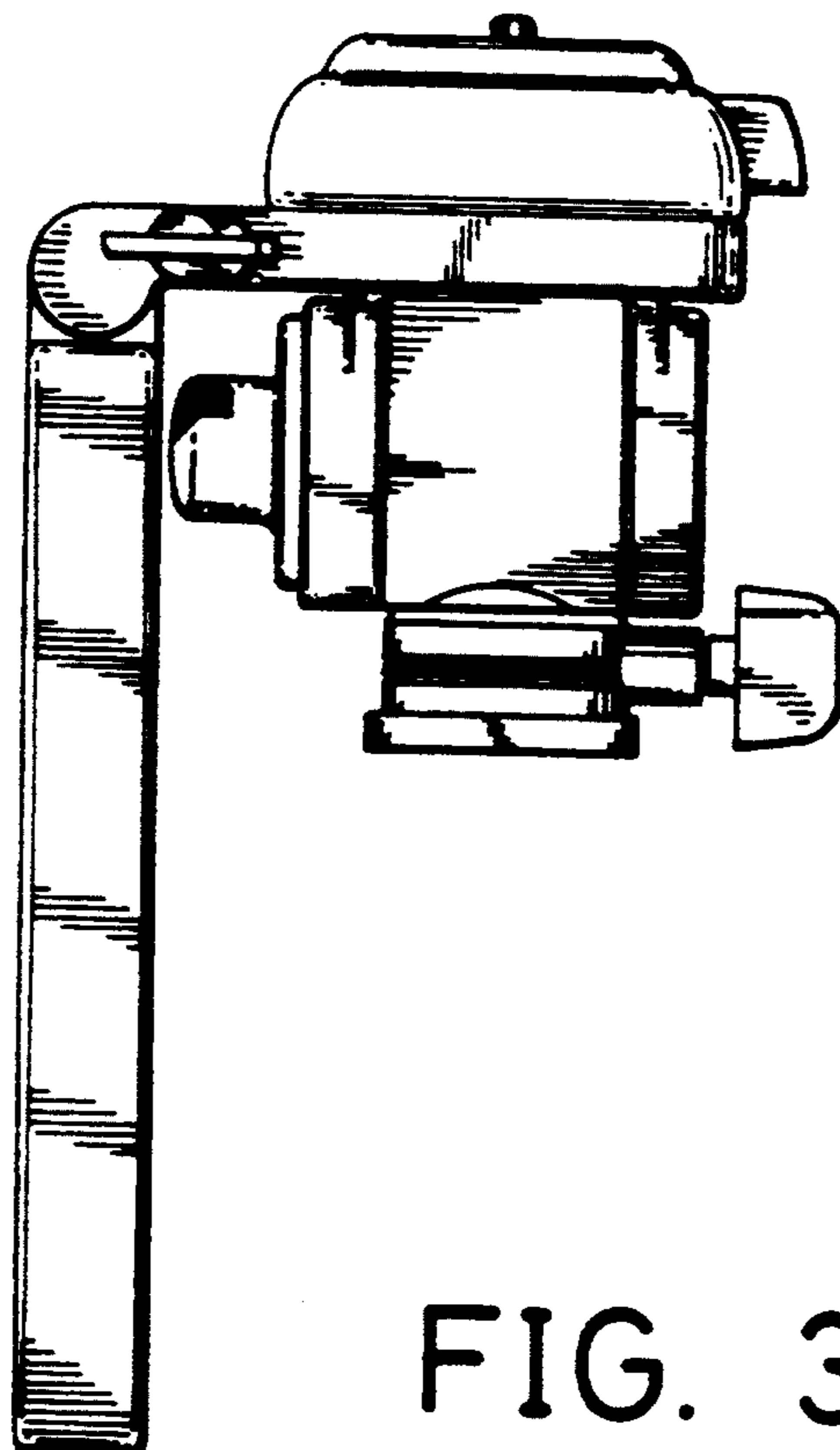


FIG. 3

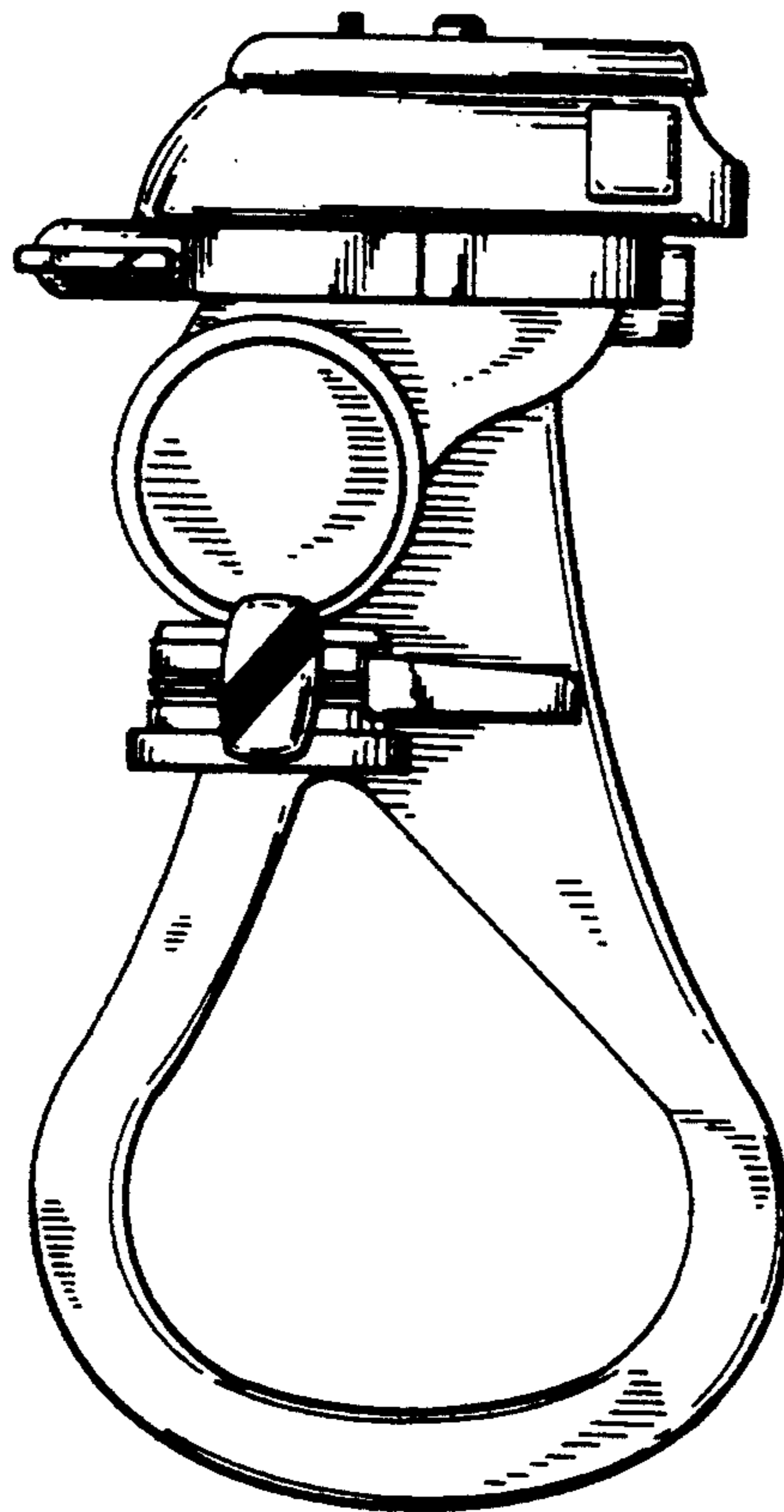


FIG. 4

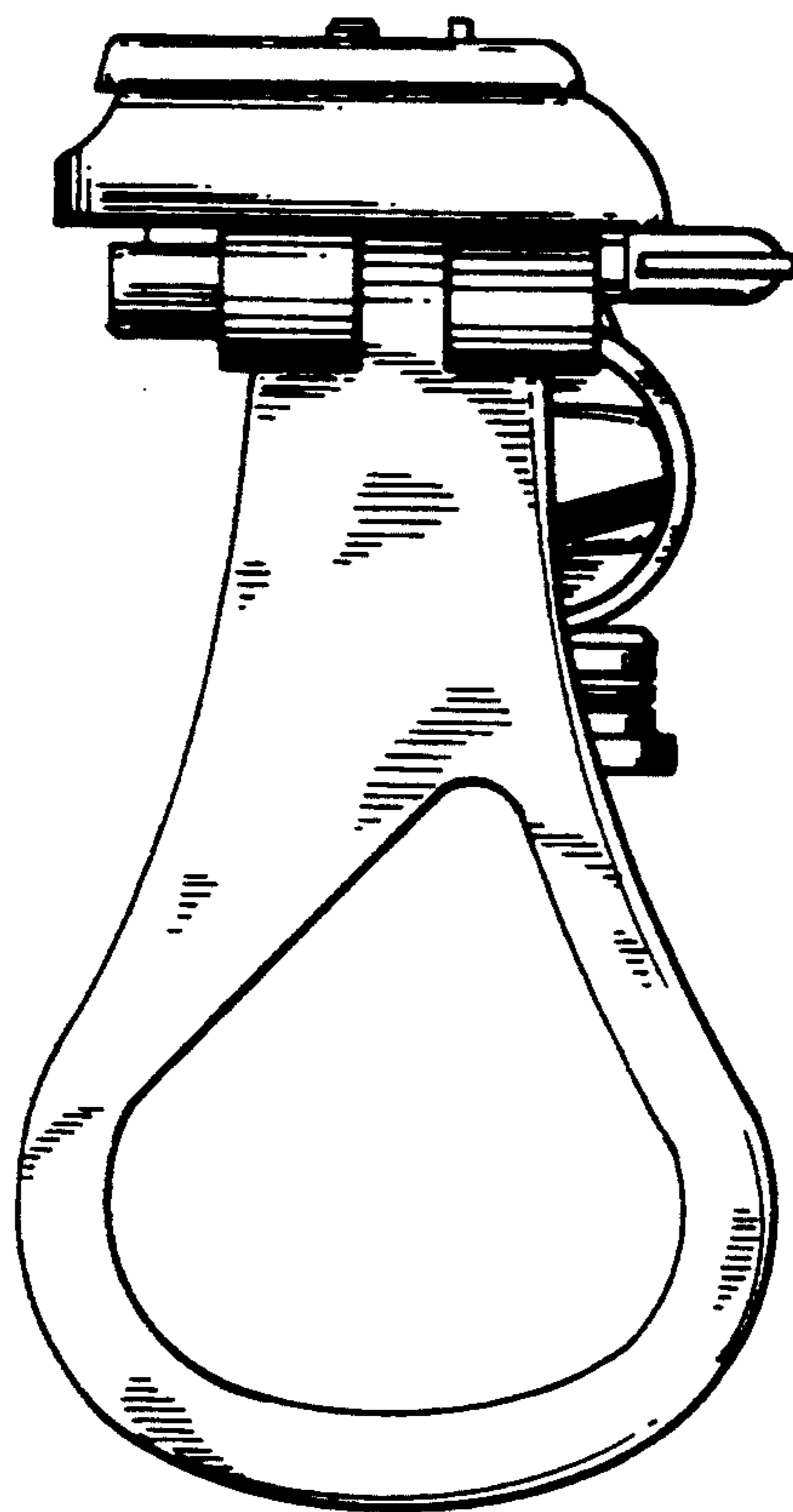


FIG. 5

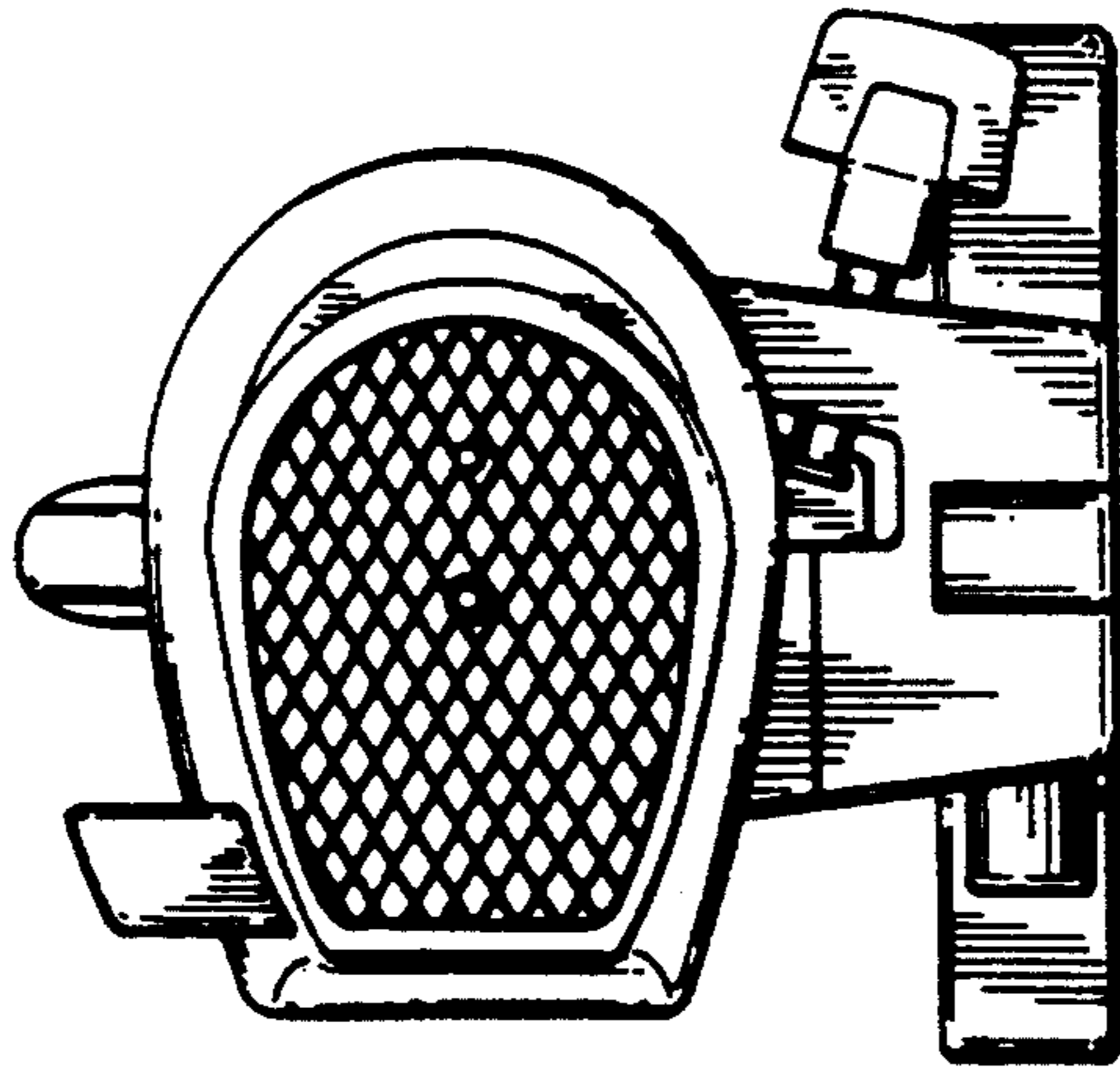


FIG. 6

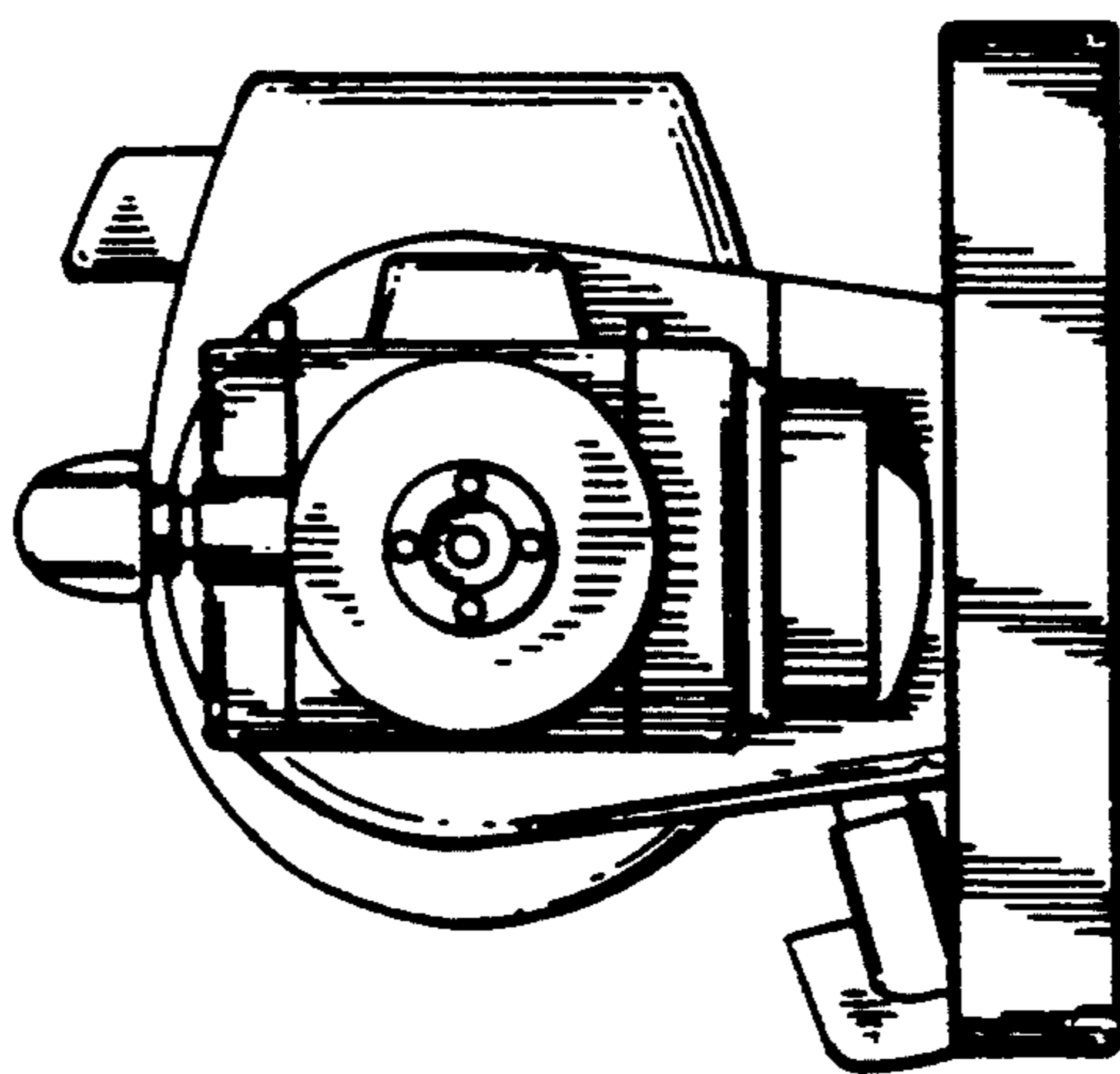


FIG. 7

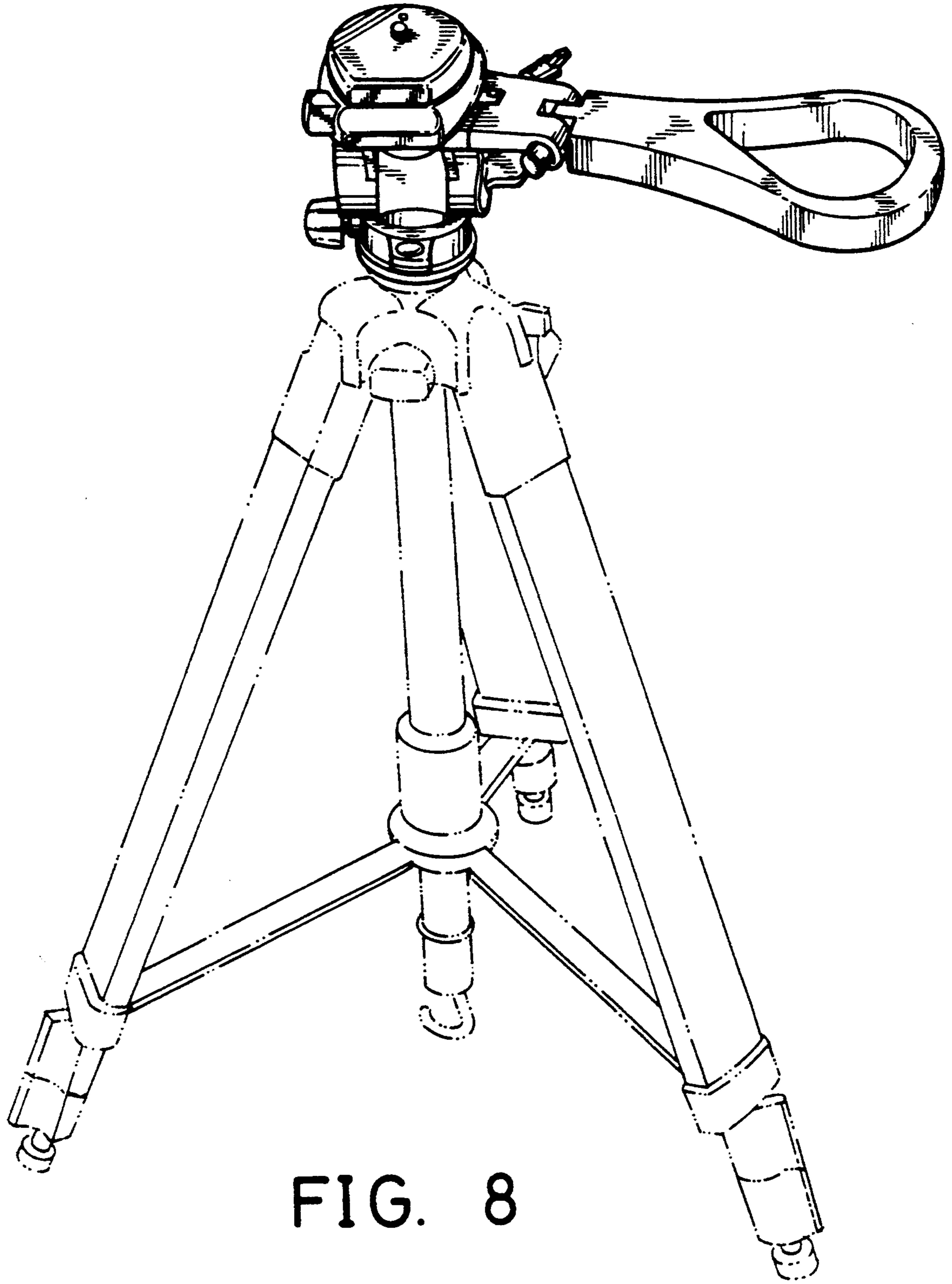


FIG. 8