



US00D349717S

United States Patent [19]

[11] Patent Number: **Des. 349,717**

Akaike et al.

[45] Date of Patent: **** Aug. 16, 1994**

[54] CAMERA TRIPOD

4,648,698 3/1987 Iwasaki 354/293
4,751,540 6/1988 Jones 354/293

[75] Inventors: **M. Akaike, Tokyo; H. Usui, Tama,**
both of Japan

Primary Examiner—Bernard Ansher
Assistant Examiner—Adir Aronovich
Attorney, Agent, or Firm—Brumbaugh, Graves,
Donohue & Raymond

[73] Assignee: **Hakuba Photo Industry Co., Ltd.,**
Tokyo, Japan

[**] Term: **14 Years**

[57] **CLAIM**

[21] Appl. No.: **5,440**

The ornamental design for camera tripod, as shown and described.

[22] Filed: **Mar. 4, 1993**

DESCRIPTION

[52] U.S. Cl. **D16/244**

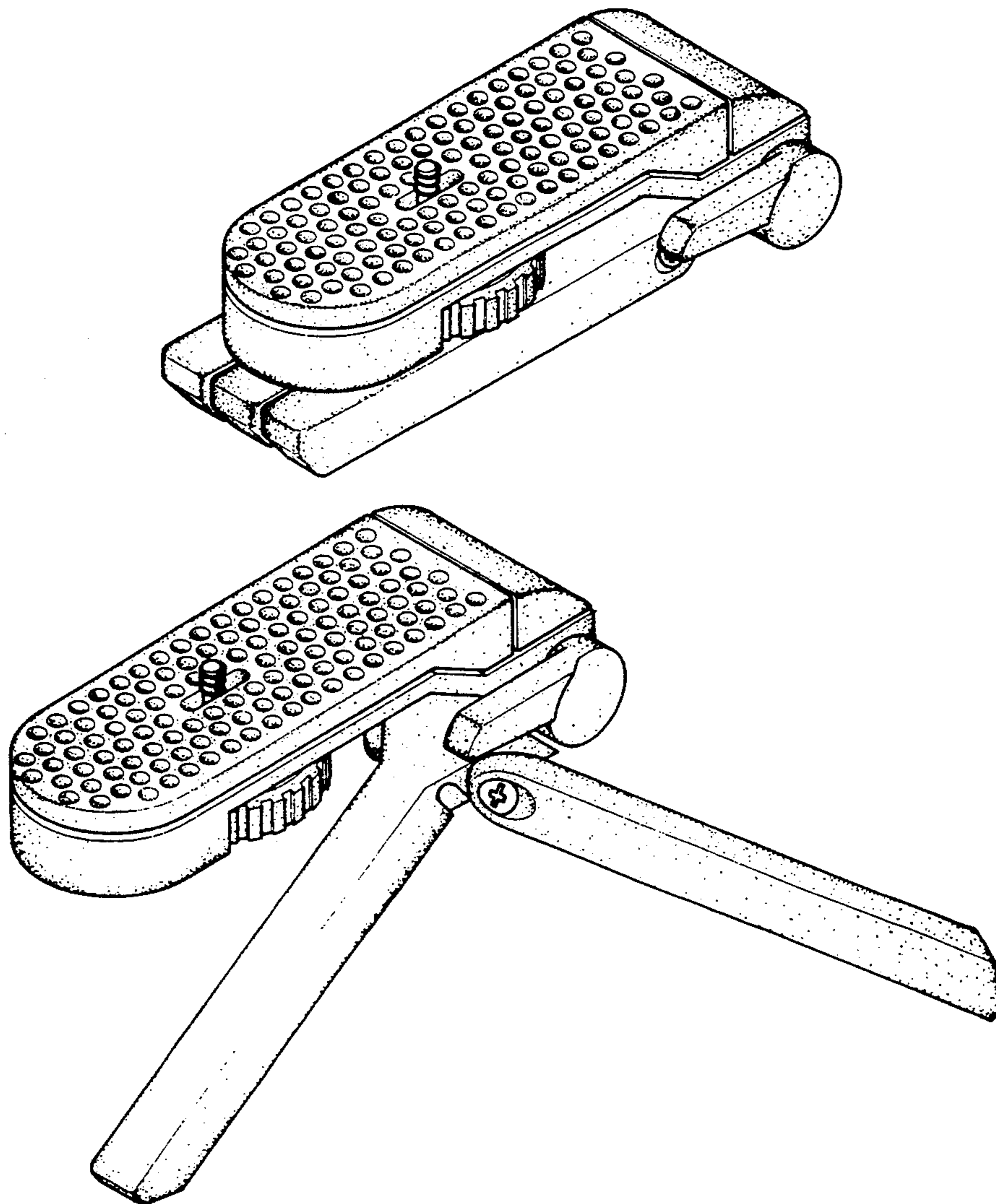
[58] Field of Search 248/168, 170, 177, 187,
248/188.6, 439; 354/81, 293; D16/237, 242,
244, 245

FIG. 1 is a perspective view of camera tripod showing our new design;
FIG. 2 is a front elevational view thereof;
FIG. 3 is a rear elevational view thereof;
FIG. 4 is a left side elevational view thereof;
FIG. 5 is a right side elevational view thereof;
FIG. 6 is a top view thereof;
FIG. 7 is a bottom view thereof; and,
FIG. 8 is a exploded perspective view thereof.

[56] **References Cited**

U.S. PATENT DOCUMENTS

D. 299,243 1/1989 Iwasaki D16/244
3,300,165 1/1967 O'Kane 248/168



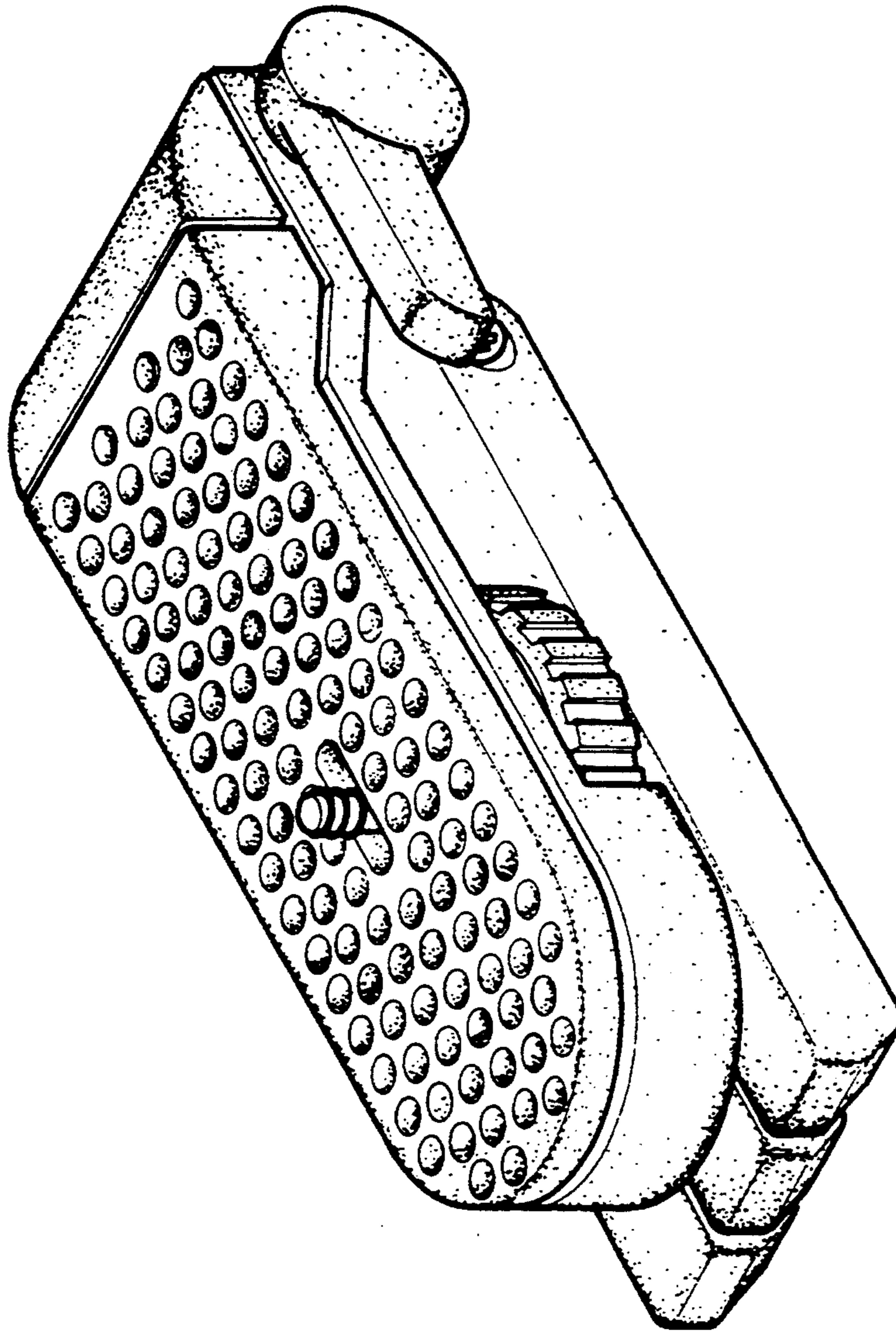


FIG. 1

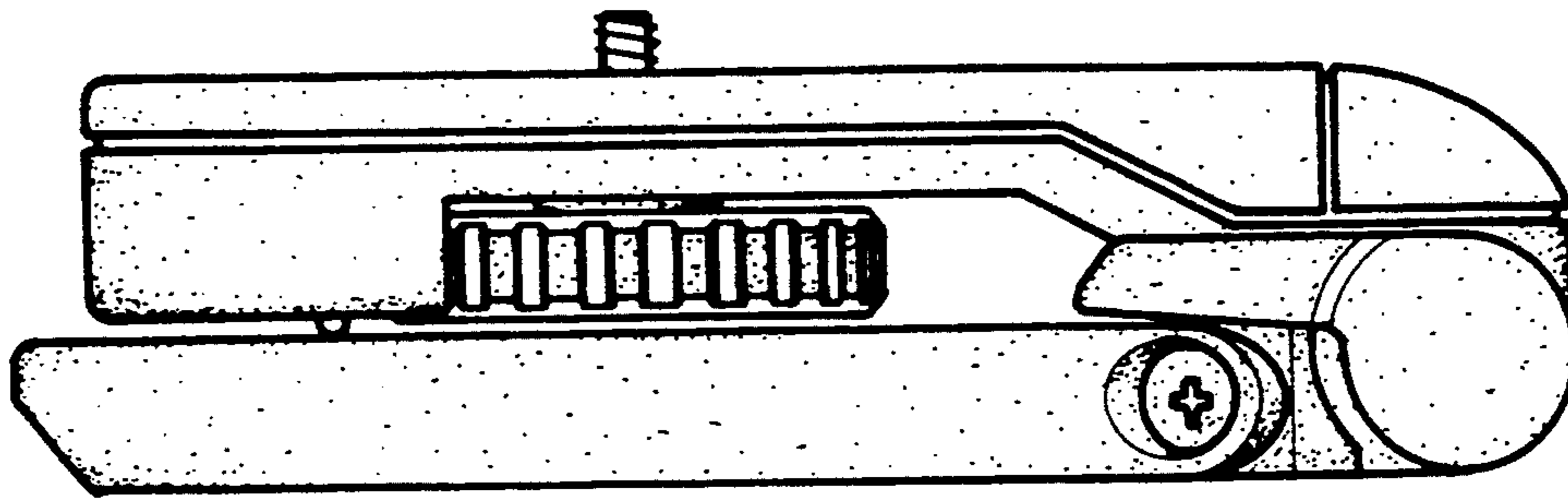


FIG. 2

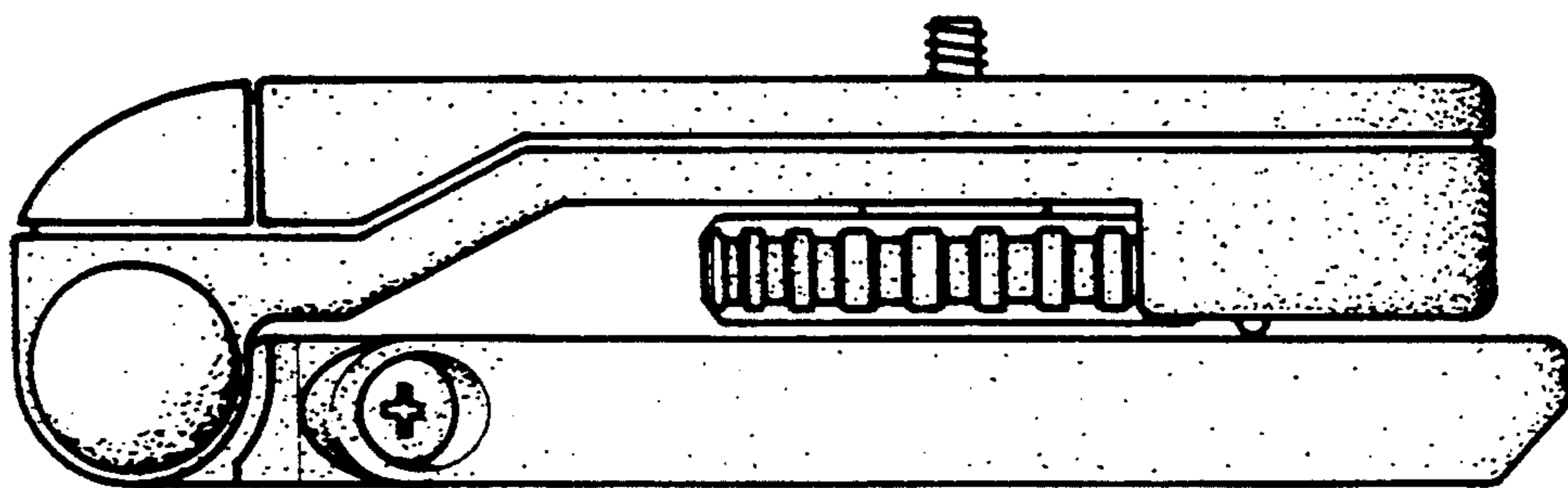


FIG. 3

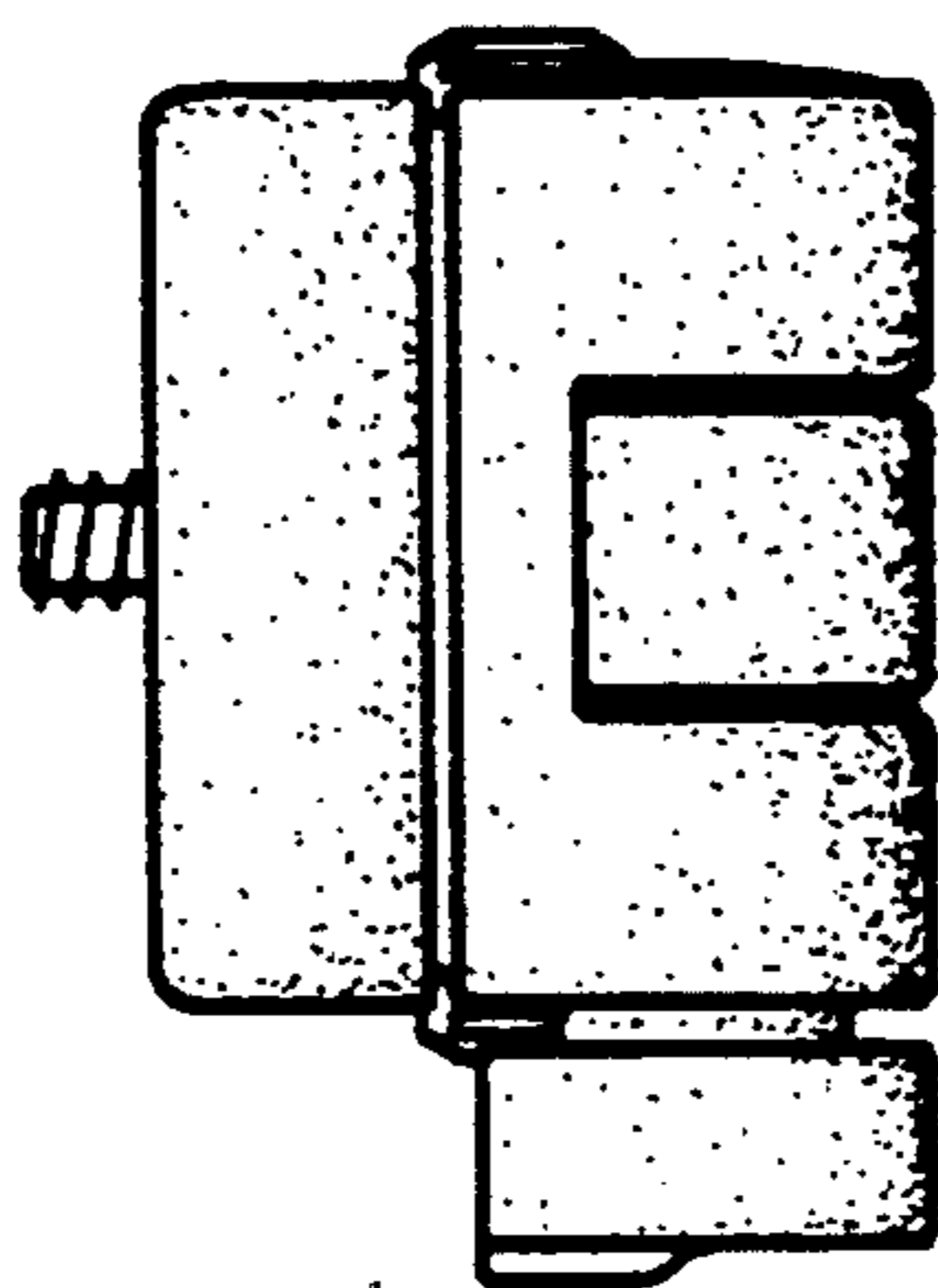


FIG. 5

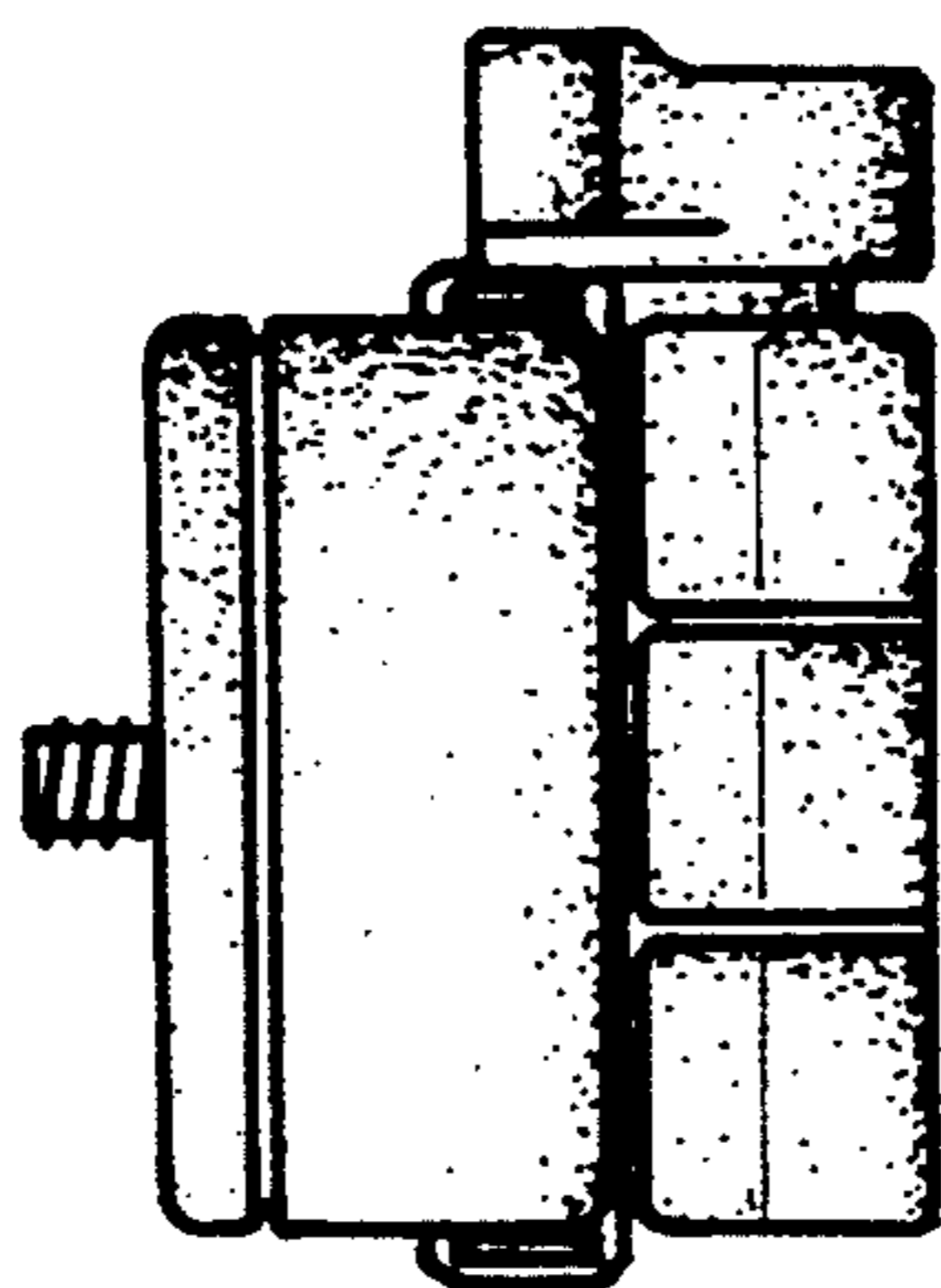


FIG. 4

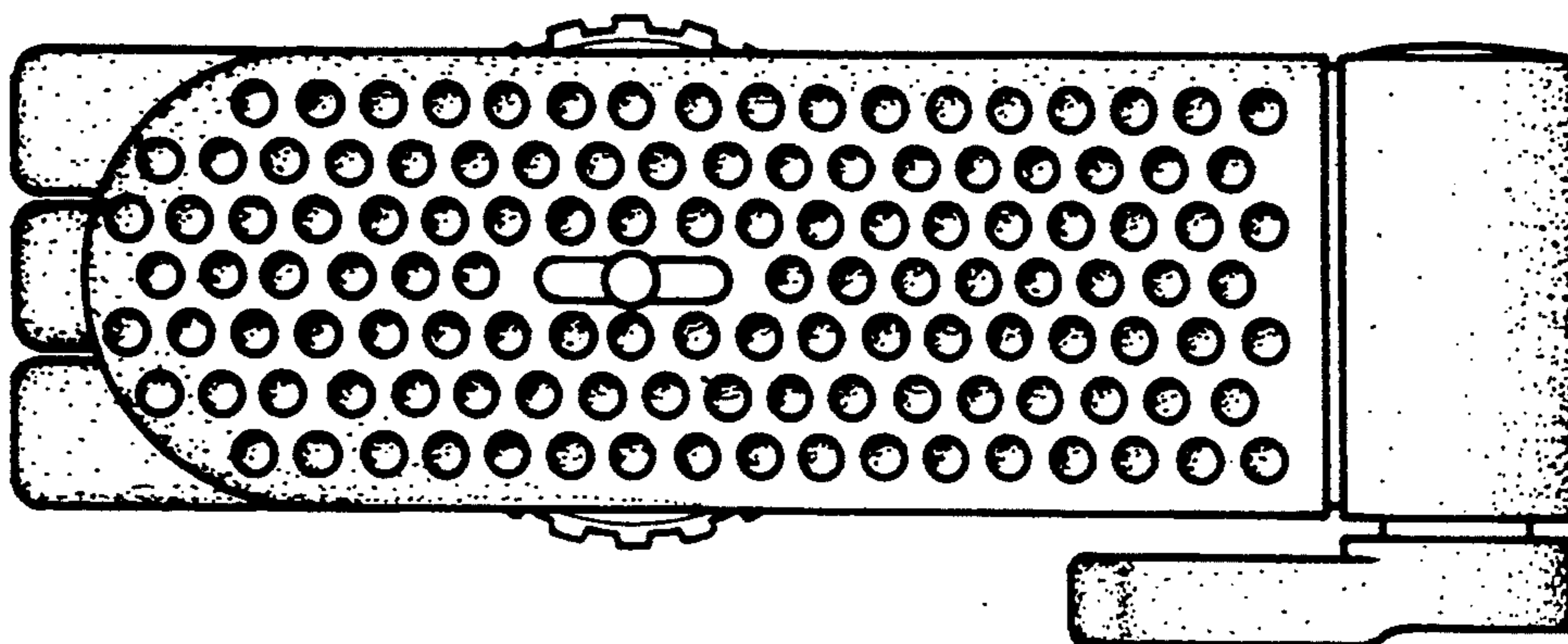


FIG. 6

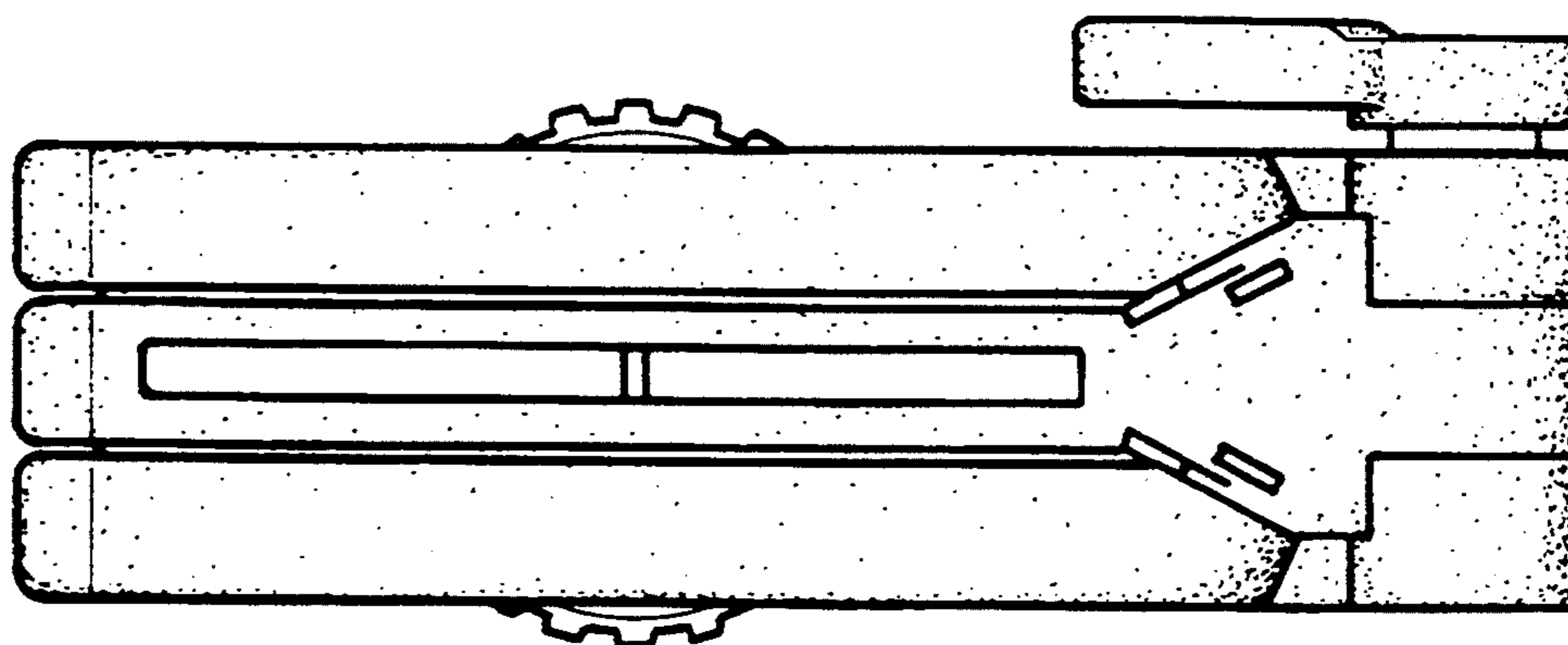


FIG. 7

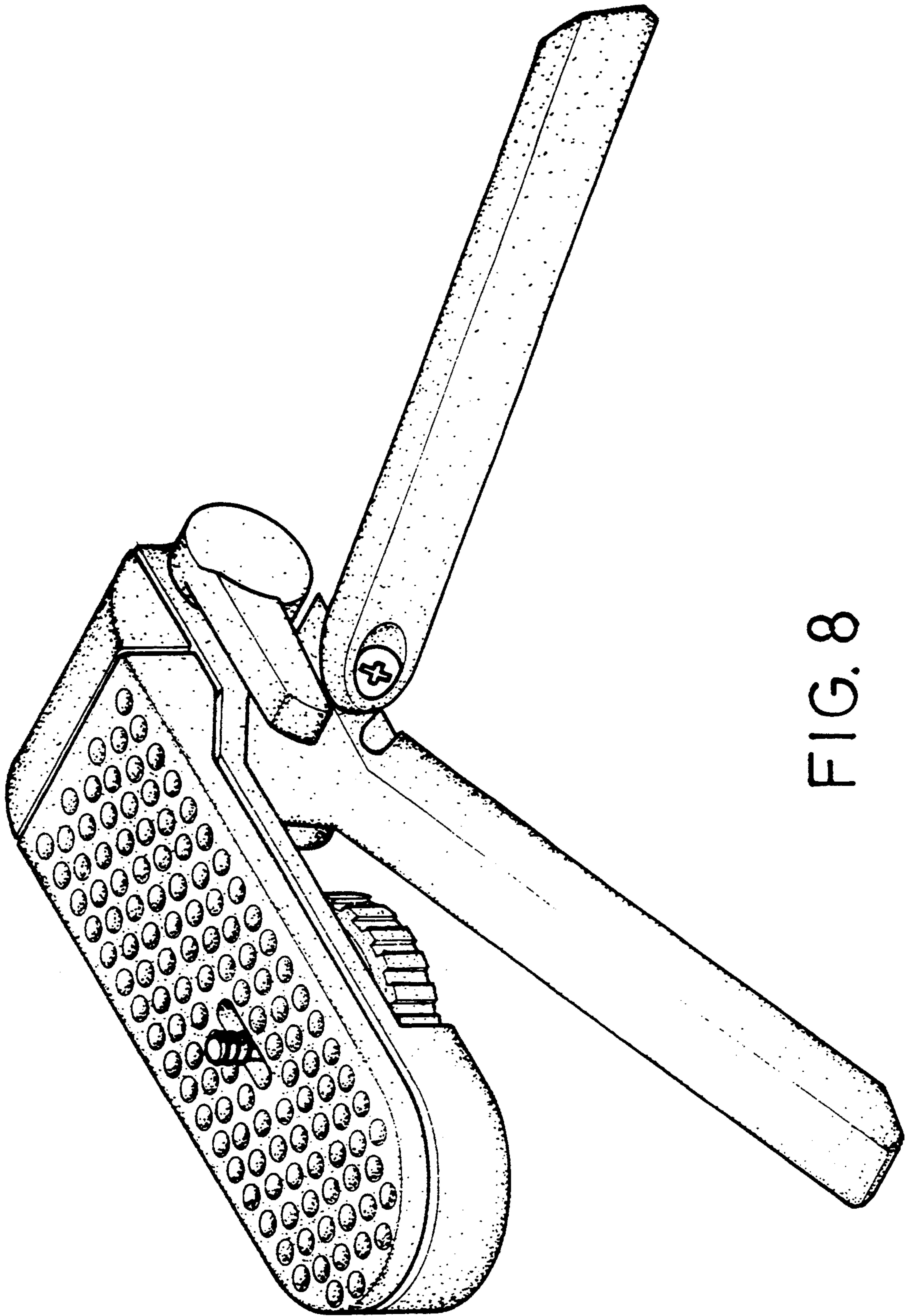


FIG. 8