



US00D349715S

United States Patent [19]

[11] Patent Number: **Des. 349,715**

Darland

[45] Date of Patent: **** Aug. 16, 1994**

[54] **TRANSMISSIVE TYPE OVERHEAD PROJECTOR**

5,027,219 6/1991 Stuttler 358/229

[75] Inventor: **Michael E. Darland**, Austin, Tex.

FOREIGN PATENT DOCUMENTS

1-136135 5/1989 Japan 353/119

[73] Assignee: **Minnesota Mining and Manufacturing Company**, St. Paul, Minn.

OTHER PUBLICATIONS

Overhead Projectors Catalog, 1968 p. 3.

[**] Term: **14 Years**

Primary Examiner—Bernard Ansher
Assistant Examiner—Adir Aronovich
Attorney, Agent, or Firm—Gary L. Griswold; Walter N. Kirn; David W. Anderson

[21] Appl. No.: **2,321**

[22] Filed: **Oct. 22, 1992**

[52] U.S. Cl. **D16/232**

[57] CLAIM

[58] **Field of Search** 353/61, 66, 119, 122, 353/DIG. 3, DIG. 4; 358/229; D16/221, 225, 232, 233

The ornamental design for a transmissive type overhead projector, as shown and described.

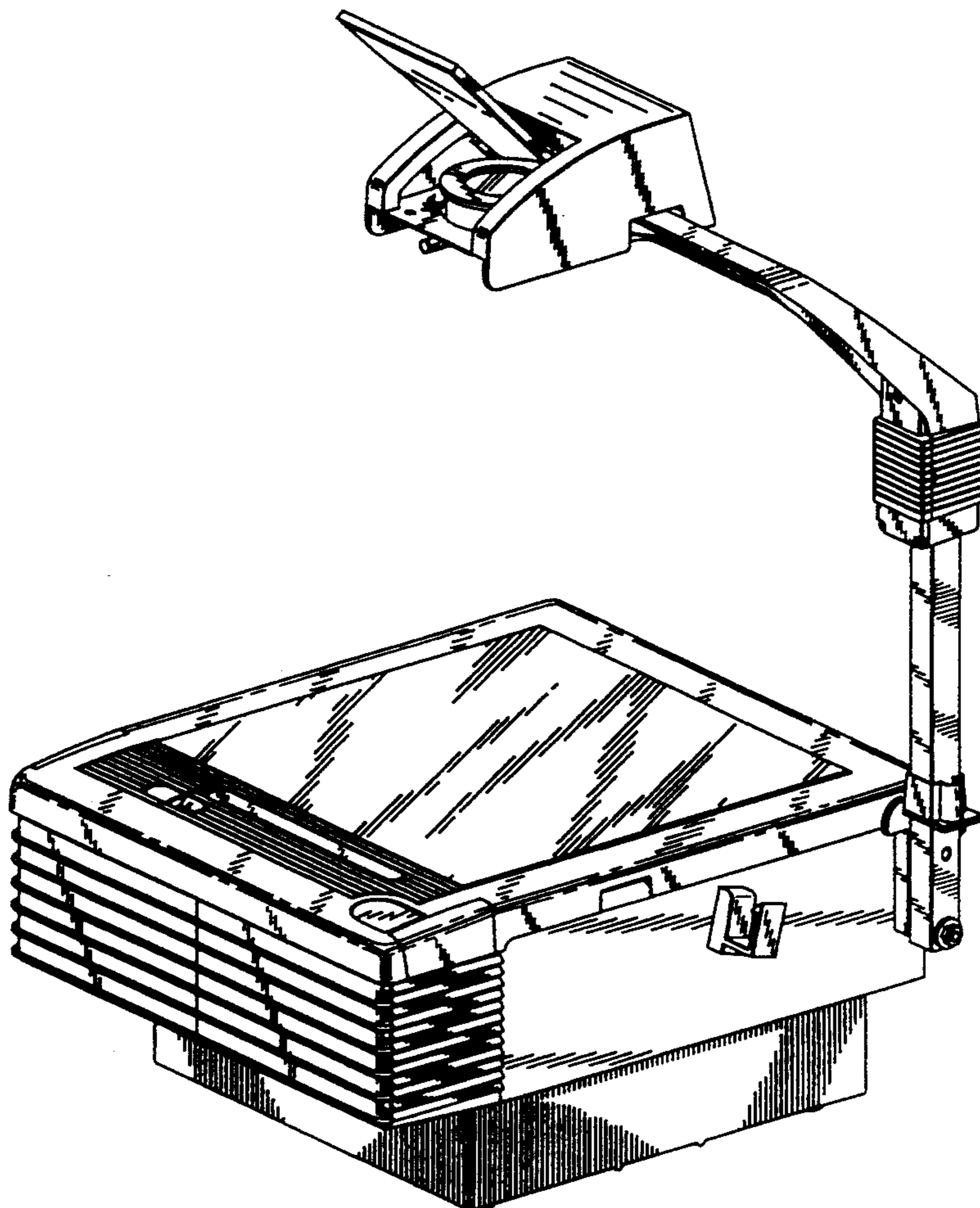
DESCRIPTION

[56] References Cited

U.S. PATENT DOCUMENTS

D. 197,258	12/1963	Highberger	D61/1
D. 216,565	2/1970	Holderied	D16/232
D. 221,901	9/1971	Patla	D16/232
D. 229,780	1/1974	Ishida	D16/232
D. 244,602	6/1977	Mango et al.	D16/2
3,416,857	12/1968	Lookabaugh	351/225
3,979,160	9/1976	Anderson et al.	353/63

FIG. 1 is a perspective view showing the top, front, and left side of a transmissive type overhead projector, showing the new design;
FIG. 2 is a right side view thereof;
FIG. 3 is a left side view thereof;
FIG. 4 is a front elevational view thereof;
FIG. 5 is a rear elevational view thereof;
FIG. 6 is a top plan view thereof; and,
FIG. 7 is a bottom view thereof.



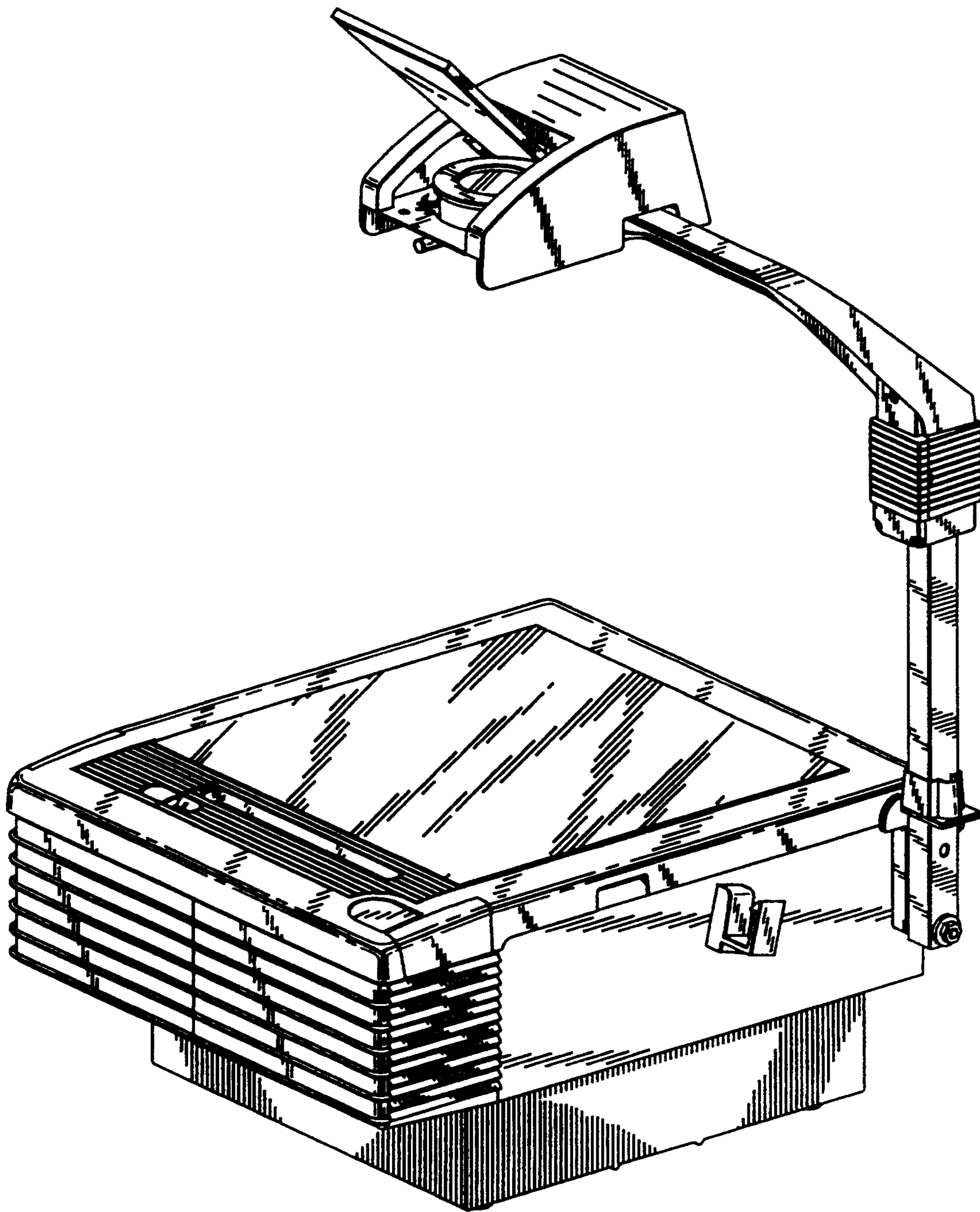


Fig. 1

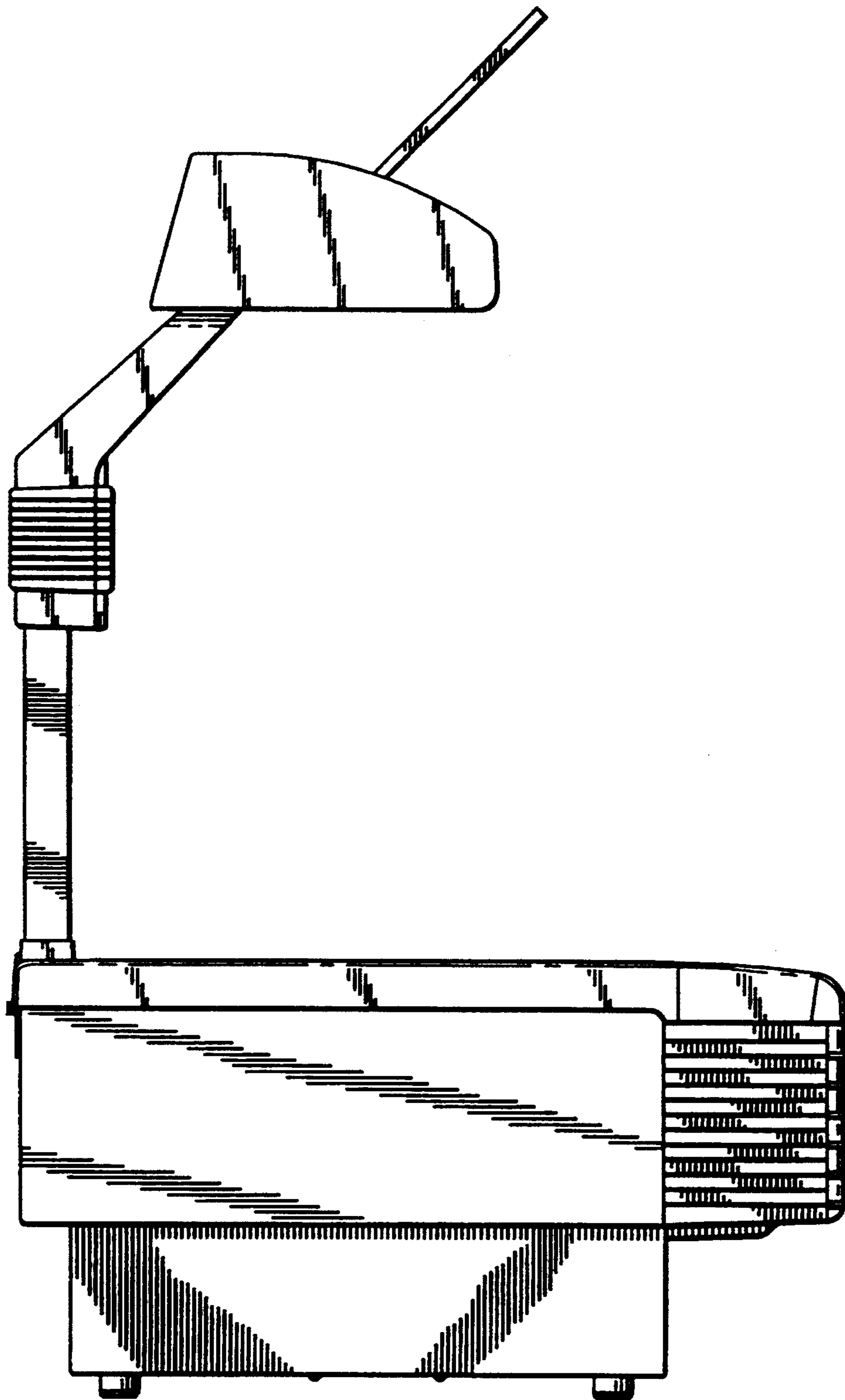


Fig. 2

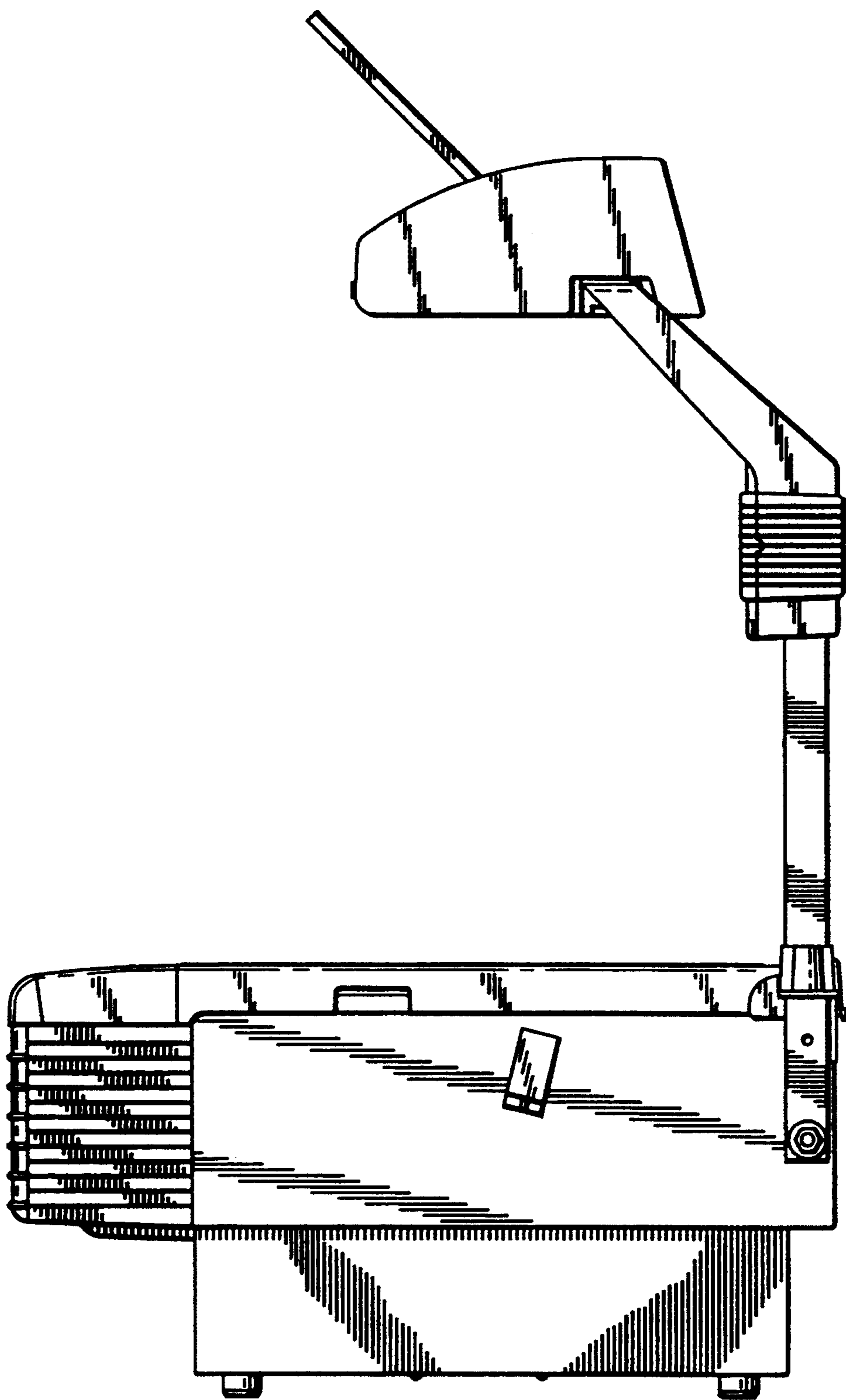


Fig. 3

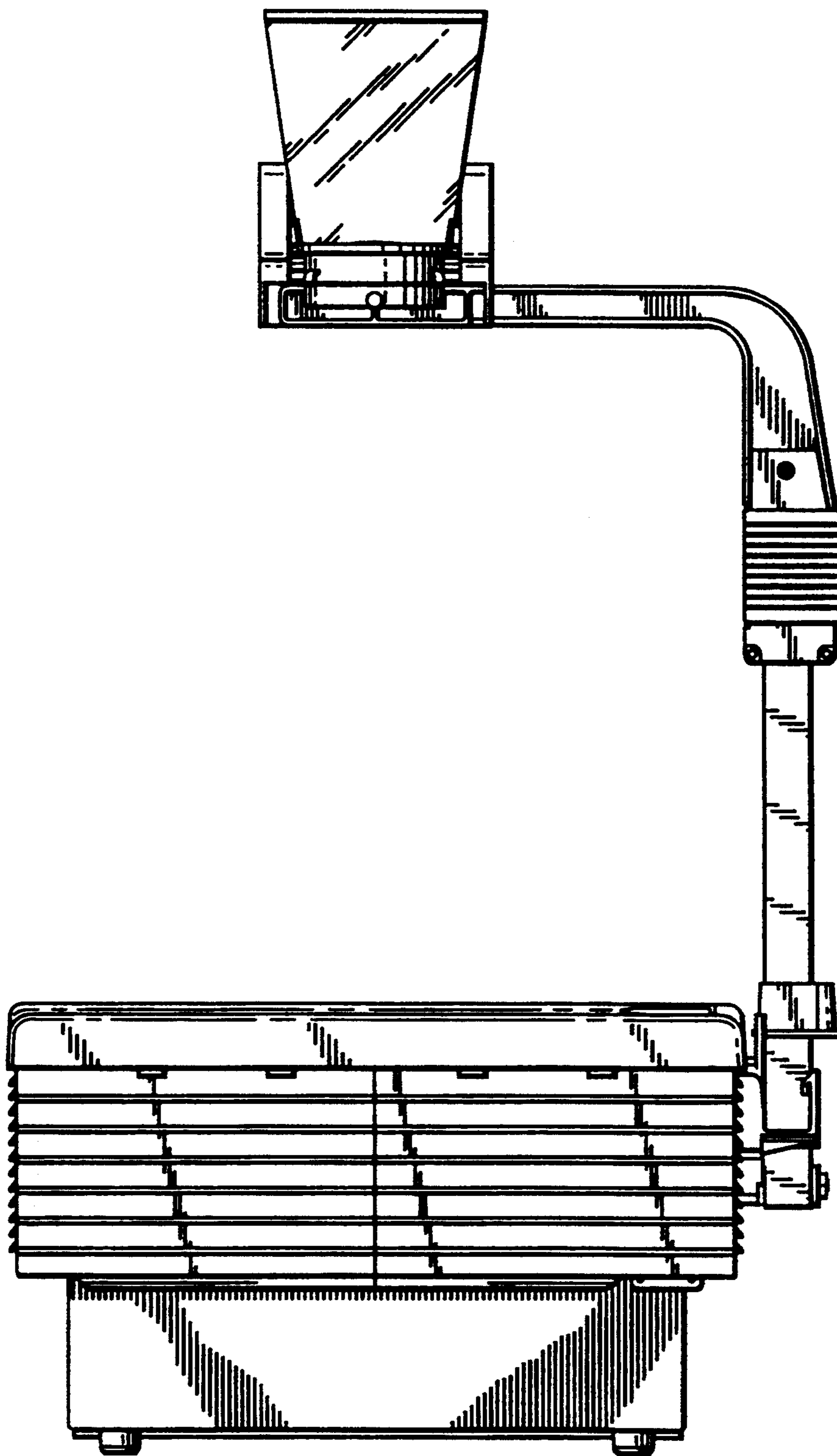


Fig. 4

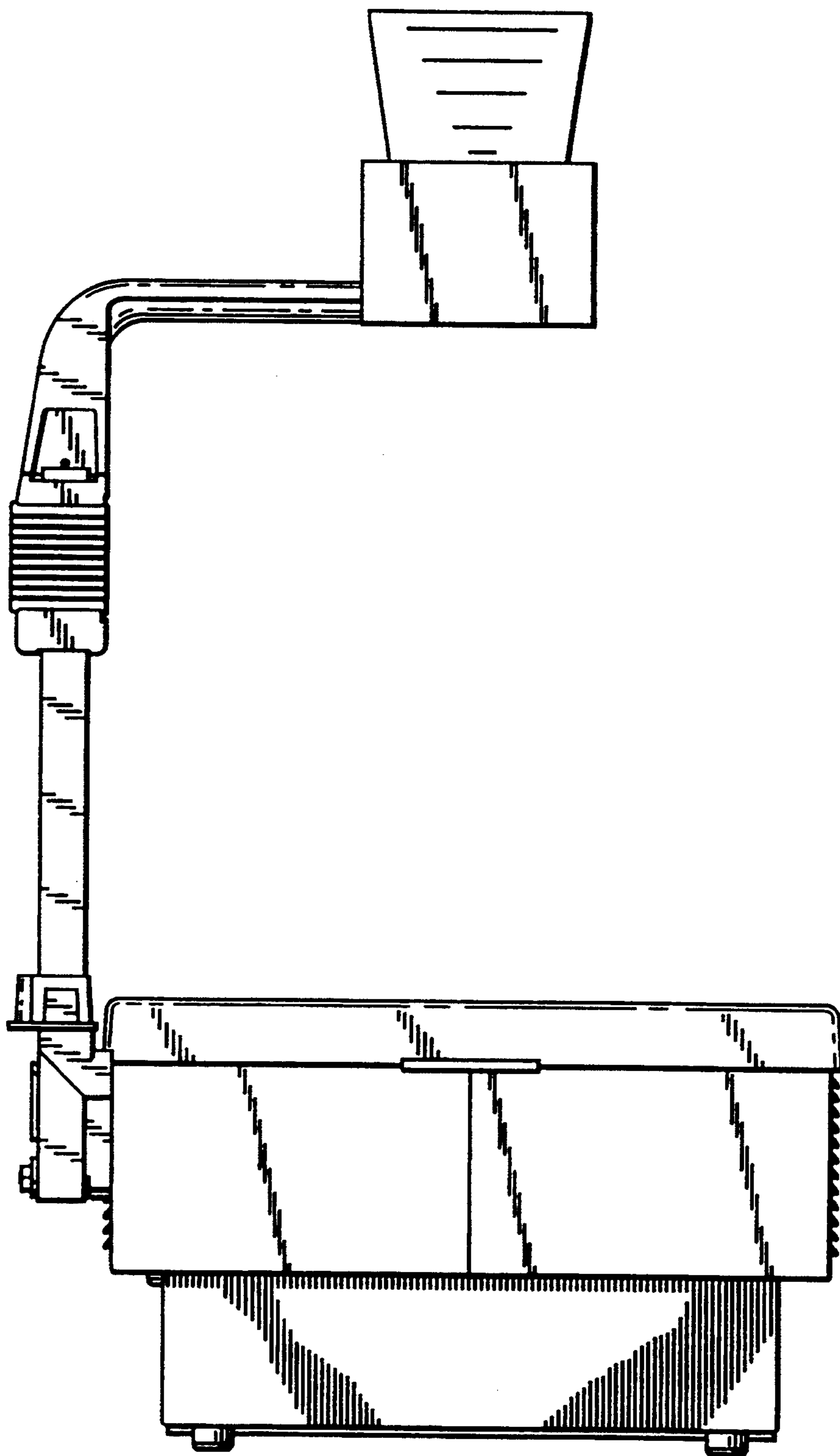


Fig. 5

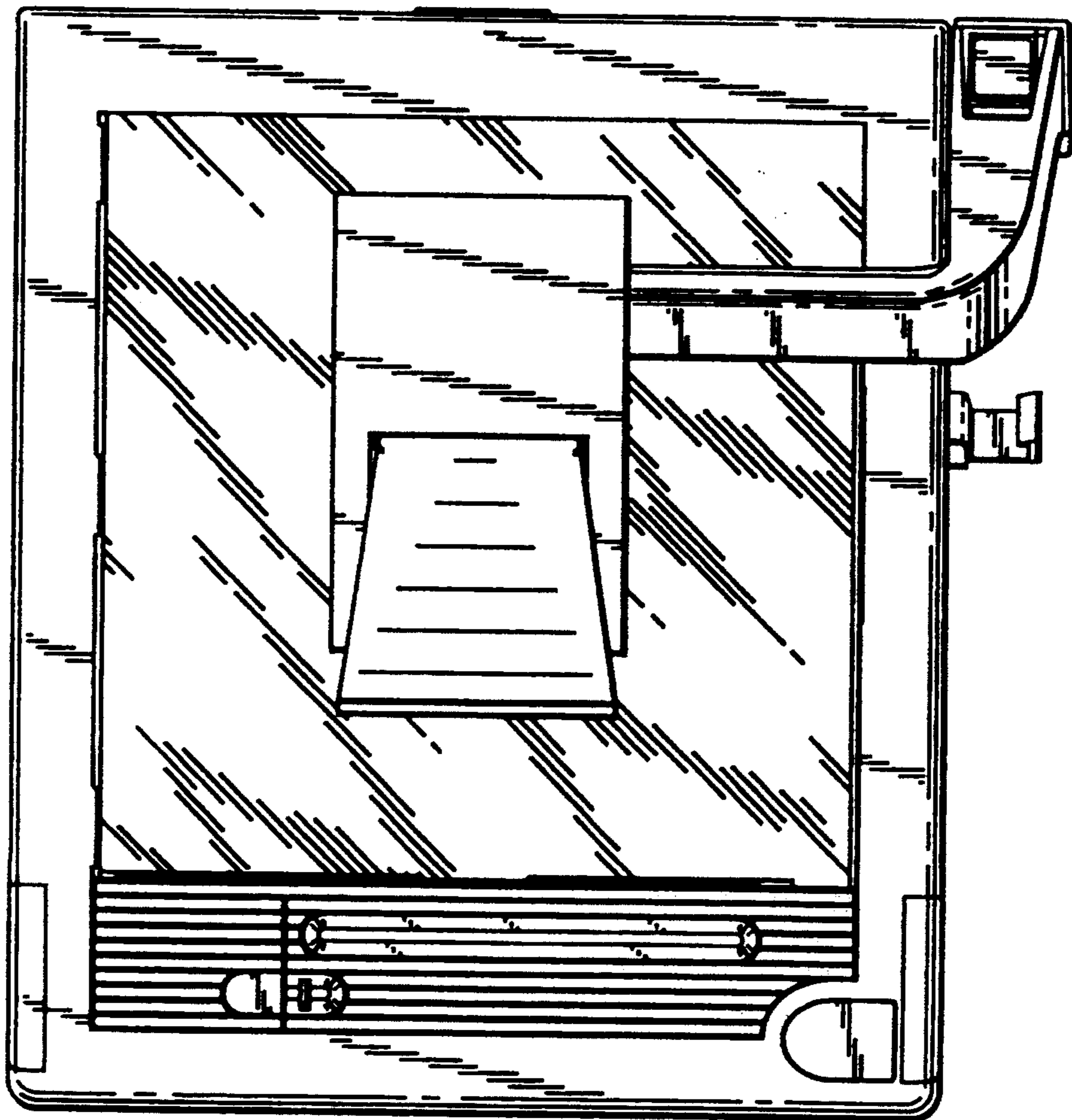


Fig. 6

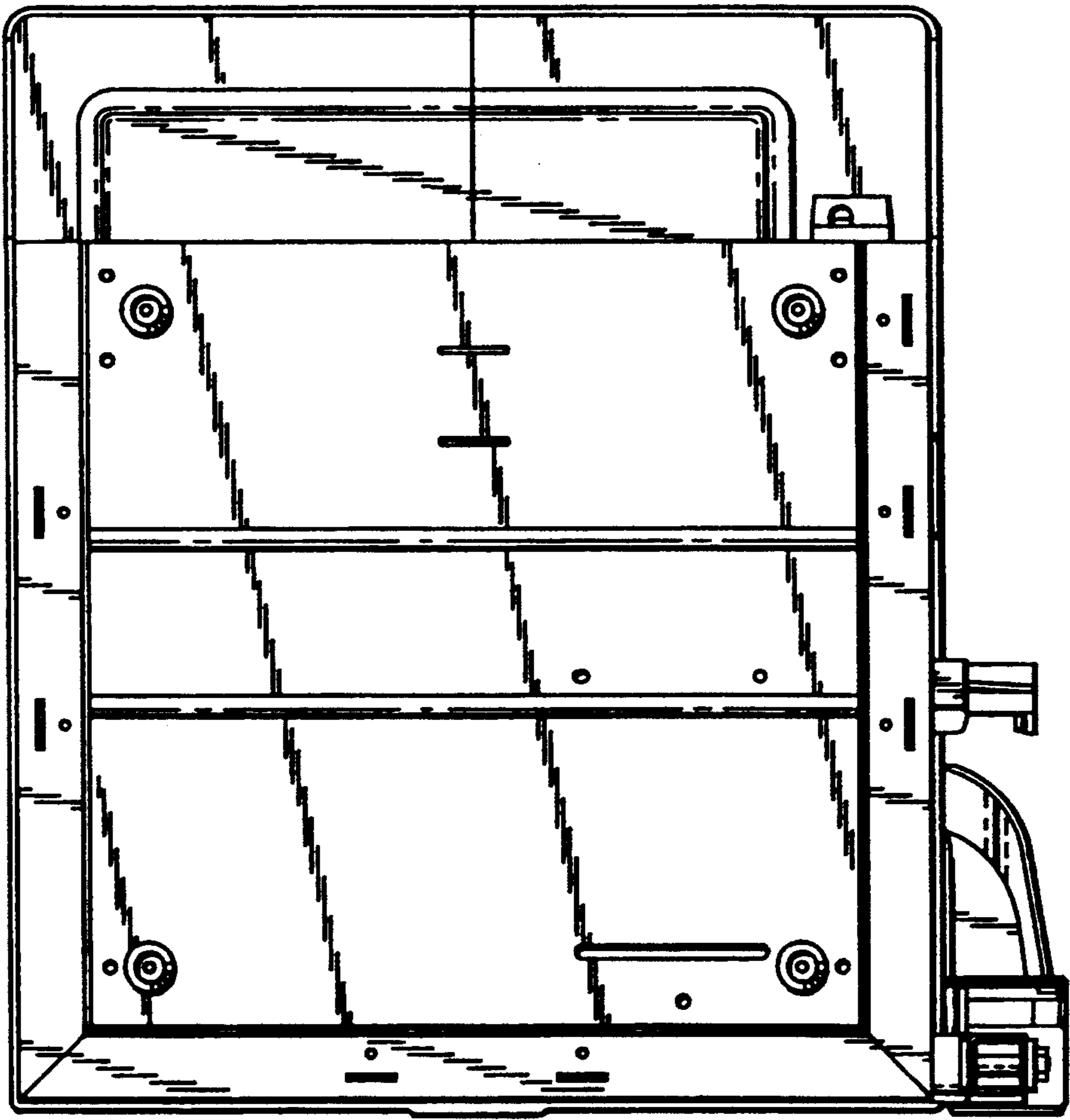


Fig. 7