



US00D349714S

United States Patent [19]
Hasegawa

[11] **Patent Number: Des. 349,714**
[45] **Date of Patent: ** Aug. 16, 1994**

[54] **SURVEILLANCE CAMERA**
[75] **Inventor: Fumio Hasegawa, Nagoya, Japan**
[73] **Assignee: Elmo Company Ltd., Japan**
[**] **Term: 14 Years**
[21] **Appl. No.: 879,222**
[22] **Filed: May 6, 1992**

[30] **Foreign Application Priority Data**
Nov. 18, 1991 [JP] Japan 3-34740
[52] **U.S. Cl. D16/203**
[58] **Field of Search 354/81, 288; 358/108, 358/229; D16/200-205**

[56] **References Cited**
U.S. PATENT DOCUMENTS
D. 203,678 2/1966 Newton et al. D16/203
D. 233,170 10/1974 Gideon D16/203
D. 248,305 6/1978 Scott D16/203
D. 307,759 5/1990 Pagano D16/203
4,225,881 9/1980 Tovi 358/108
4,945,367 7/1990 Blackshear 354/81

FOREIGN PATENT DOCUMENTS

797243 6/1990 Japan .

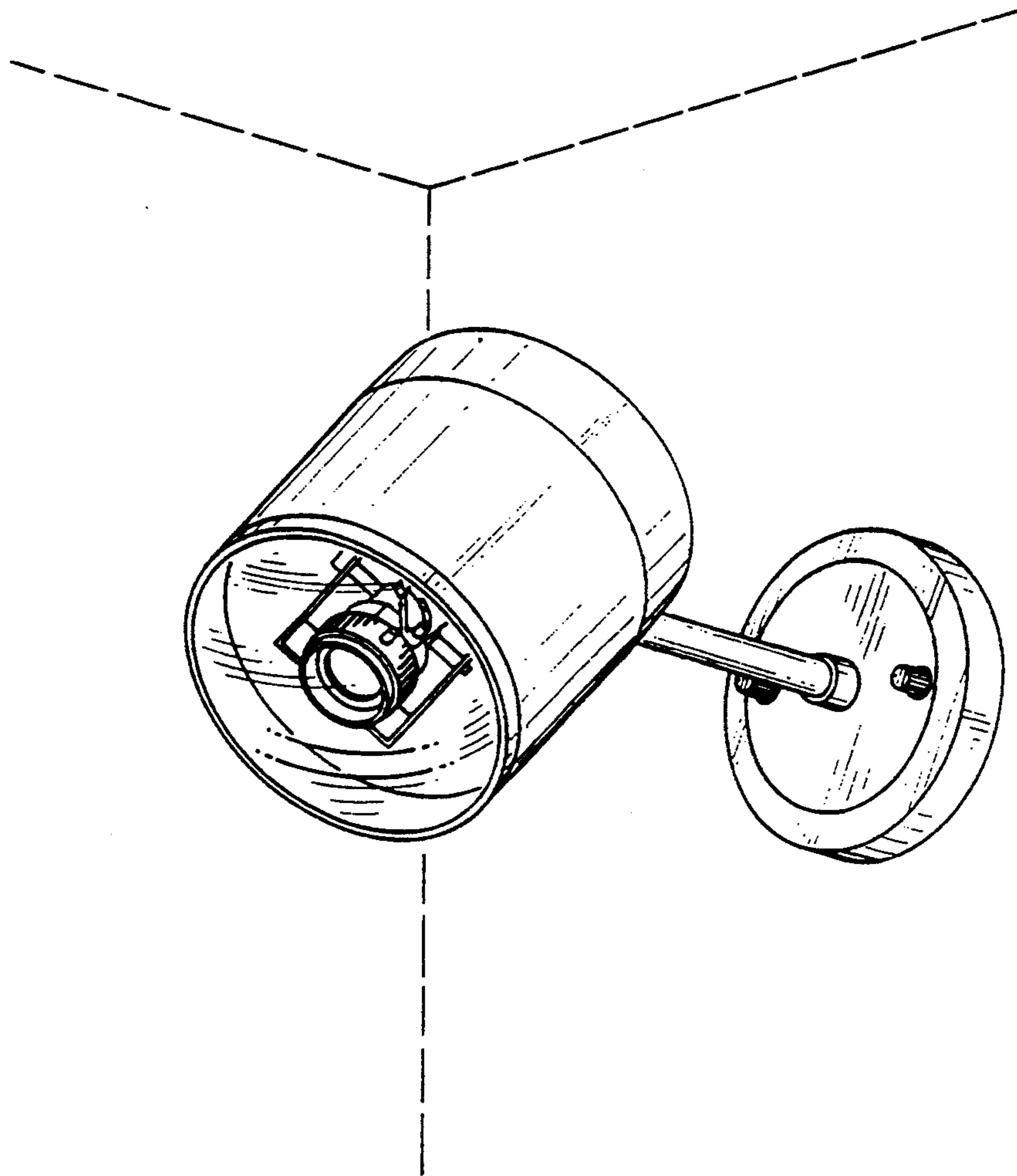
Primary Examiner—Melvin B. Feifer
Assistant Examiner—Adir Aronovich
Attorney, Agent, or Firm—Ostrolenk, Faber, Gerb & Soffen

[57] **CLAIM**

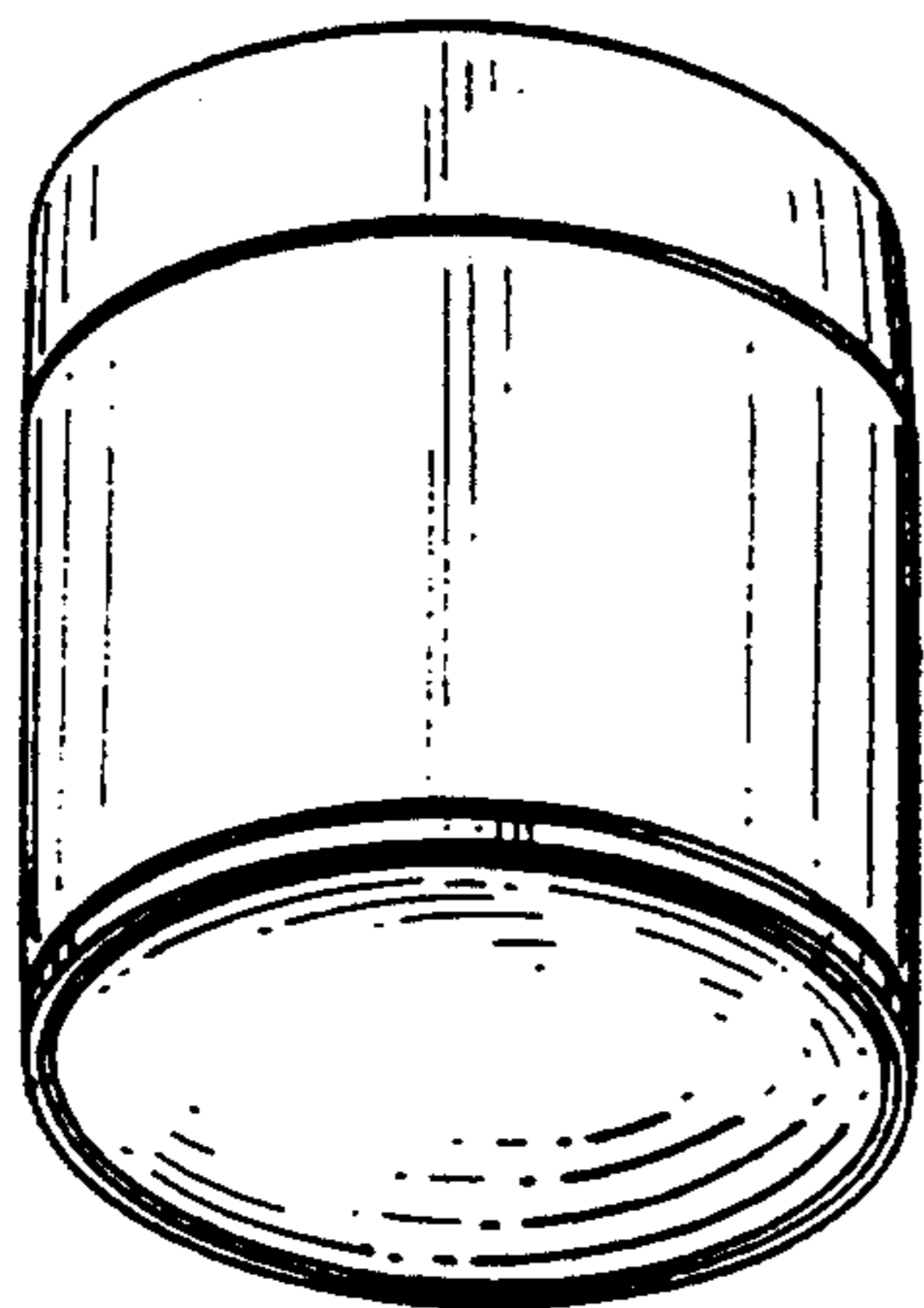
The ornamental design for a surveillance camera, as shown and described.

DESCRIPTION

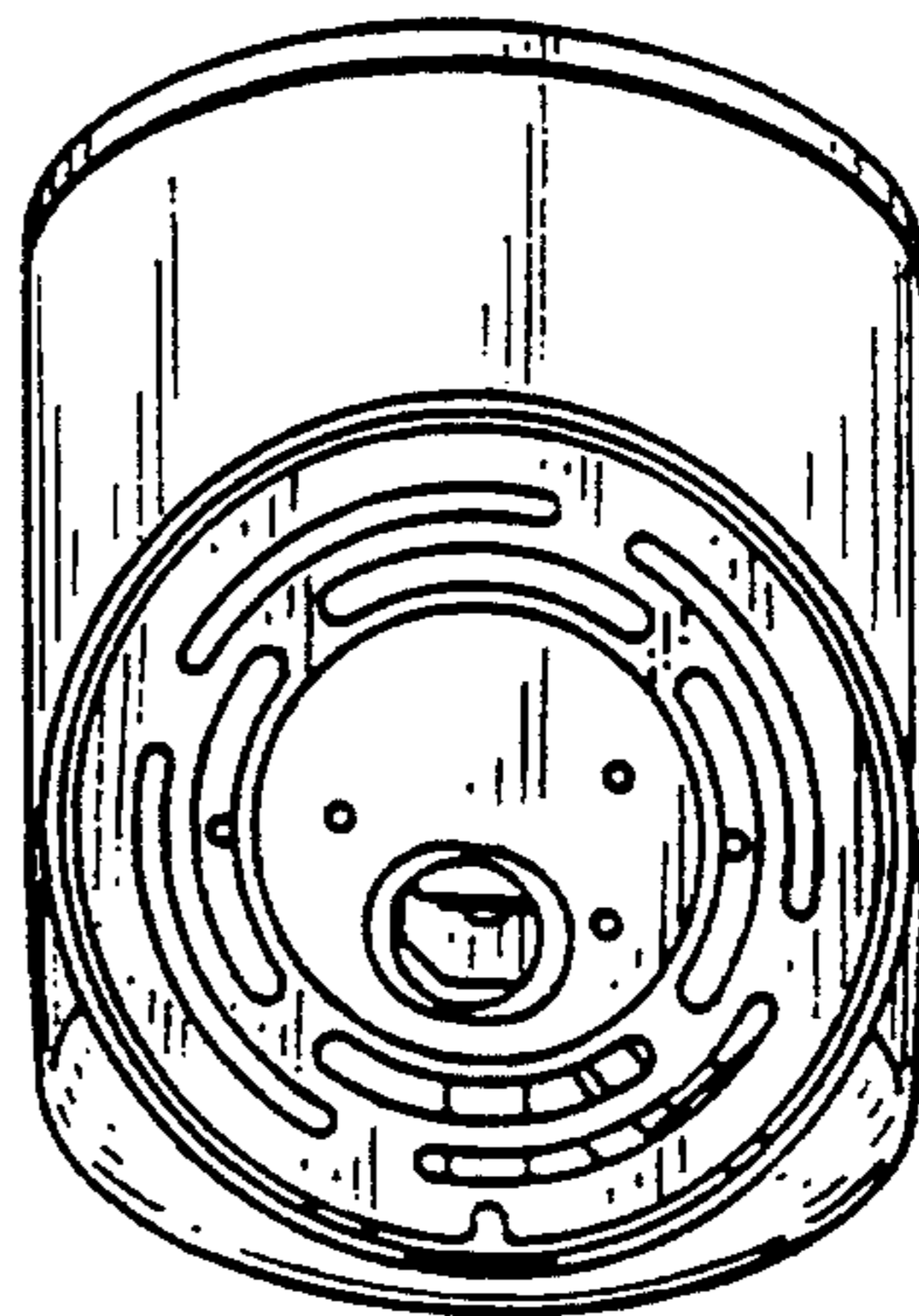
FIG. 1 is a top plan view of a surveillance camera showing my new design;
FIG. 2 is a bottom side view thereof;
FIG. 3 is a front view thereof;
FIG. 4 is a rear view thereof;
FIG. 5 is a left side view thereof; and,
FIG. 6 is a perspective view of thereof.
The broken lines showing a wall and ceiling in FIG. 6 are for illustrative purposes only and form no part of the claimed design.



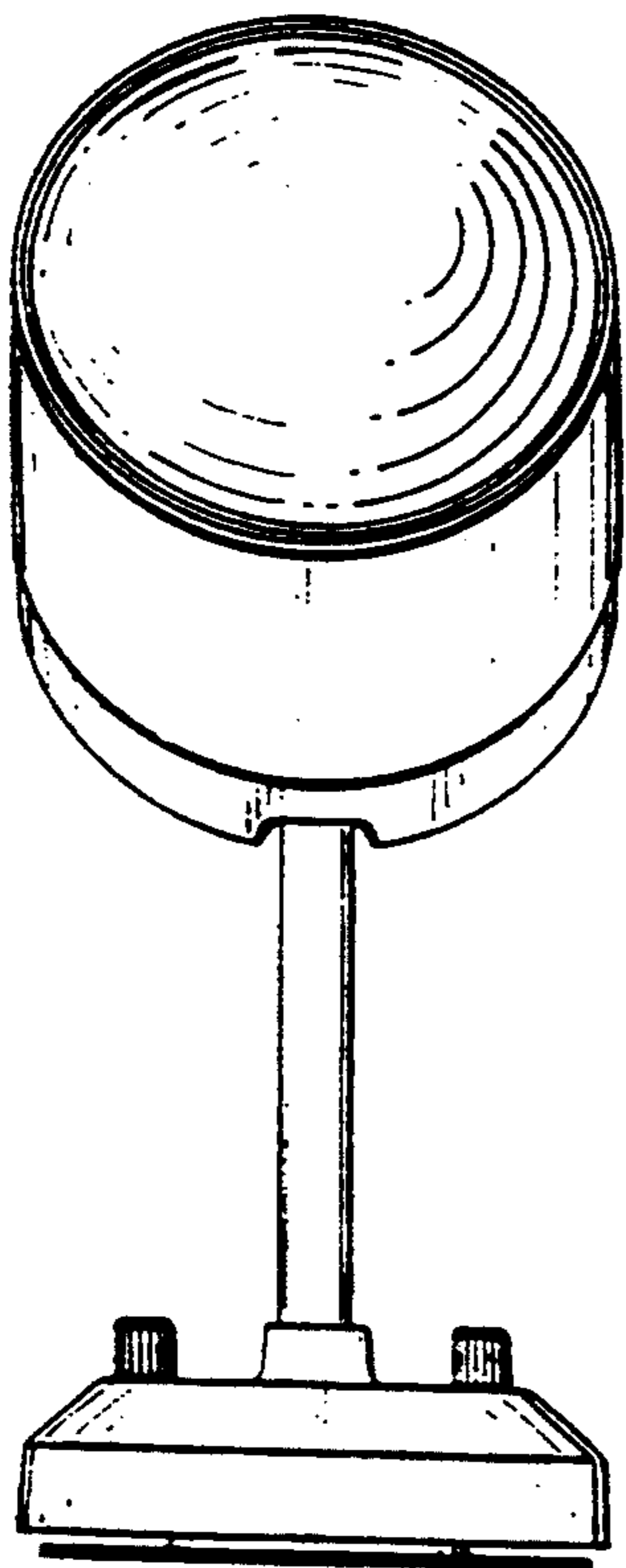
F i g . 1



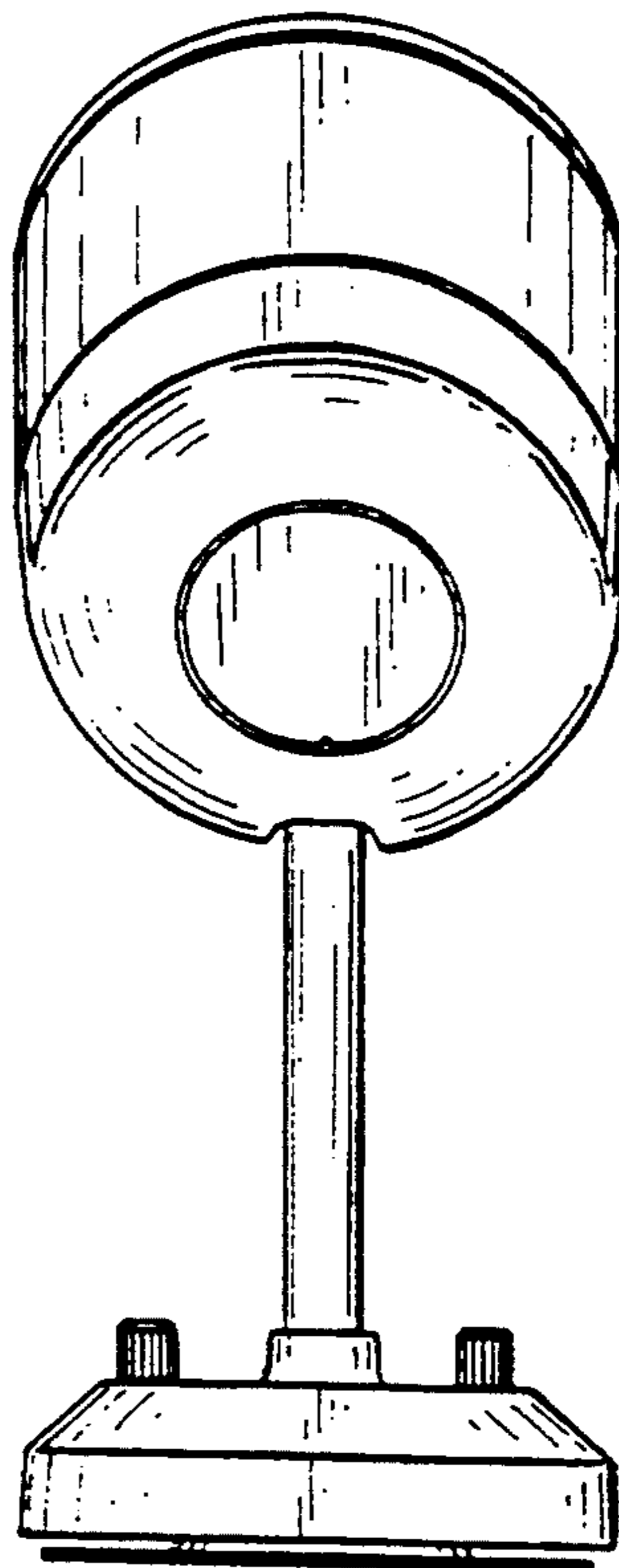
F i g . 2



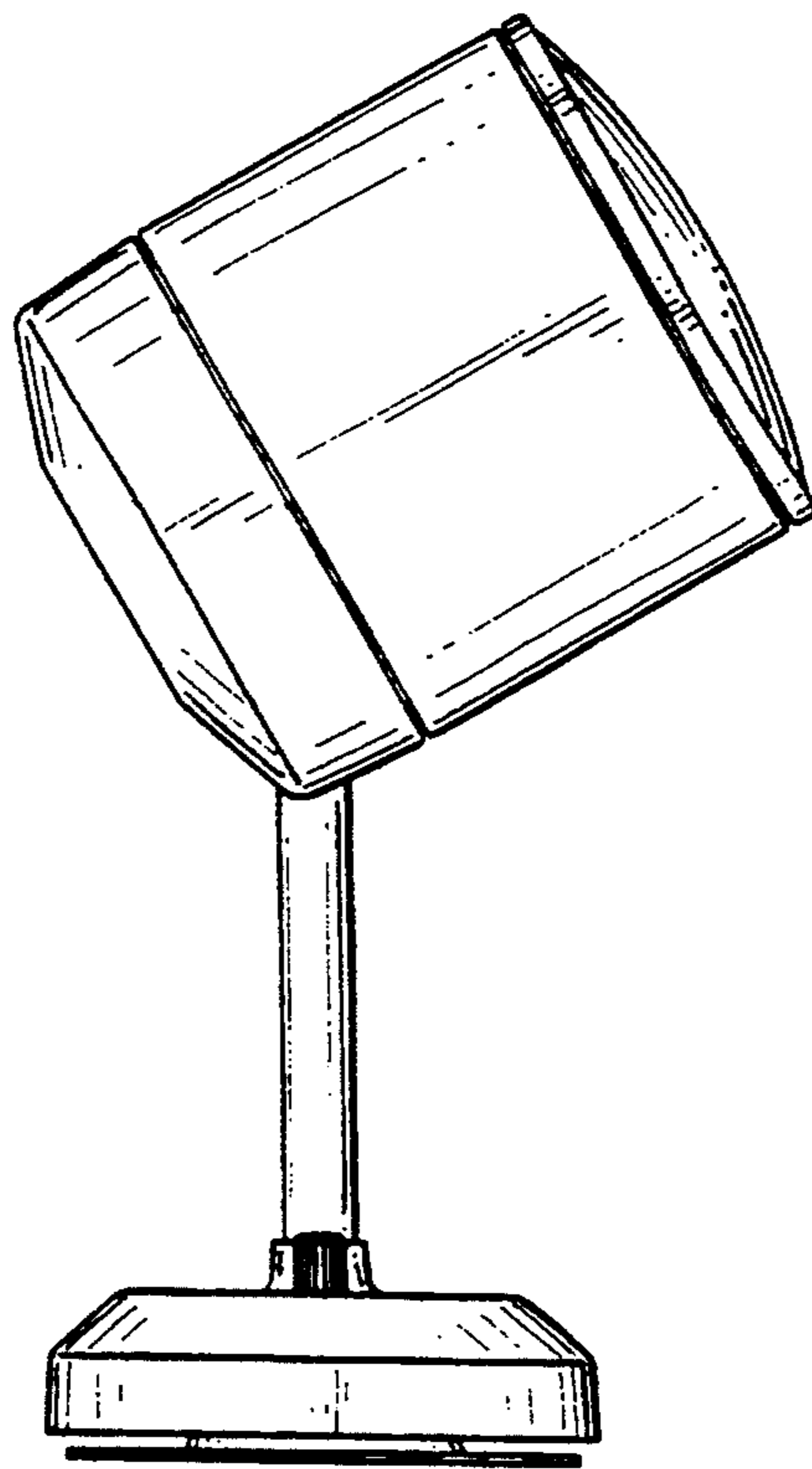
F i g . 3



F i g . 4



F i g . 5



F i g . 6

