



US00D349713S

United States Patent [19]
Hasegawa

[11] **Patent Number: Des. 349,713**
[45] **Date of Patent: ** Aug. 16, 1994**

[54] **SURVEILLANCE CAMERA**
[75] **Inventor: Fumio Hasegawa, Nagoya, Japan**
[73] **Assignee: Elmo Company Ltd., Japan**
[**] **Term: 14 Years**
[21] **Appl. No.: 879,219**
[22] **Filed: May 6, 1992**

4,945,367 7/1990 Blackshear 354/81

FOREIGN PATENT DOCUMENTS

782432 11/1989 Japan .

Primary Examiner—Melvin B. Feifer
Assistant Examiner—Adir Aronovich
Attorney, Agent, or Firm—Ostrolenk, Faber, Gerb & Soffen

[30] **Foreign Application Priority Data**

Nov. 18, 1991 [JP] Japan 3-34739

[52] **U.S. Cl. D16/203**

[58] **Field of Search** 354/81, 288; 358/108,
358/229; D16/200, 201, 202, 203, 204, 205

[57] **CLAIM**

The ornamental design for a surveillance camera, as shown and described.

DESCRIPTION

FIG. 1 is a top plan view of a surveillance showing my new design;

FIG. 2 is a side view thereof;

FIG. 3 is a front view thereof;

FIG. 4 is a rear view thereof; and,

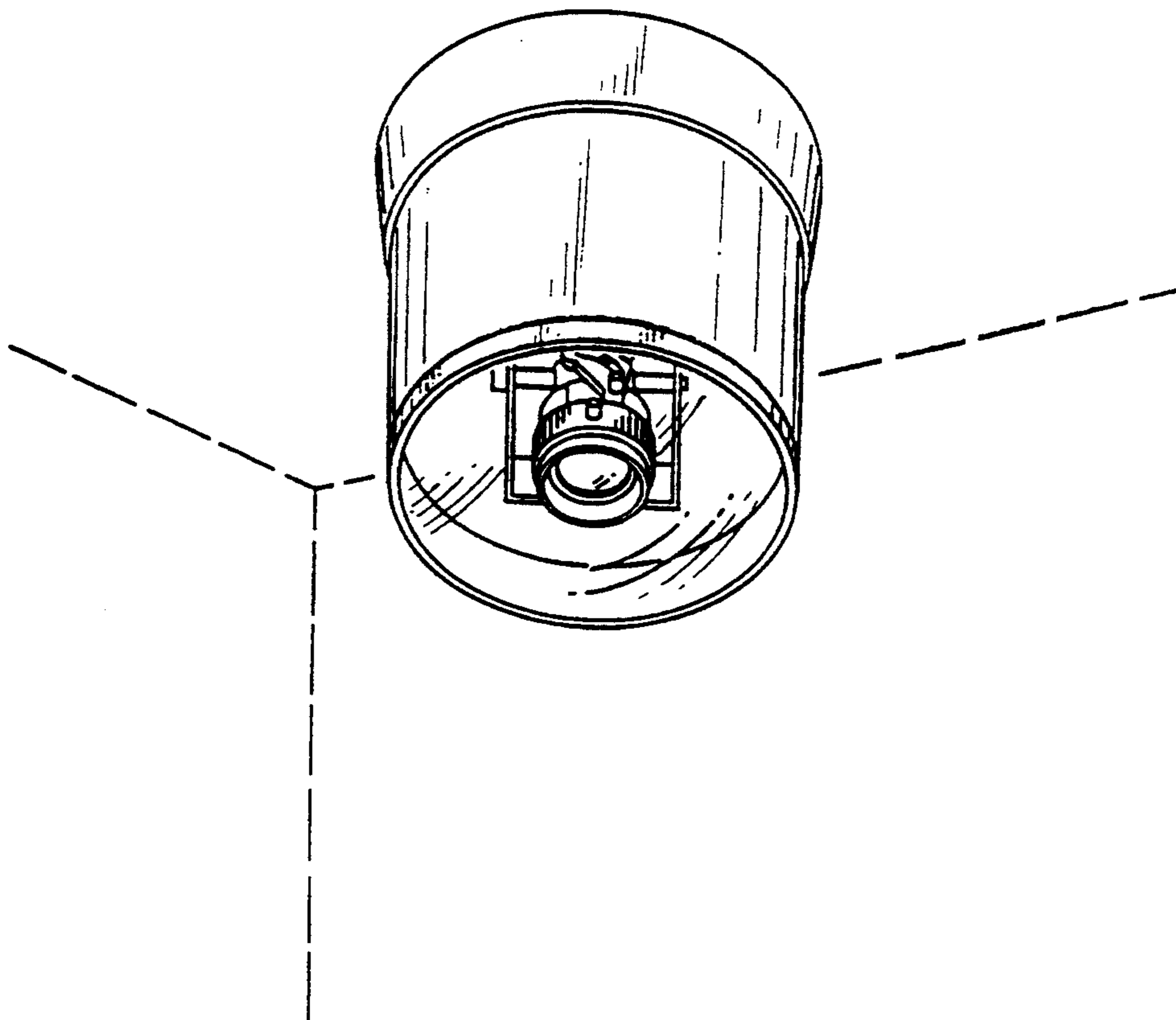
FIG. 5 is a perspective view thereof.

The broken line showing a ceiling in FIG. 5 is for illustrative purposes only and forms no part of the claimed design.

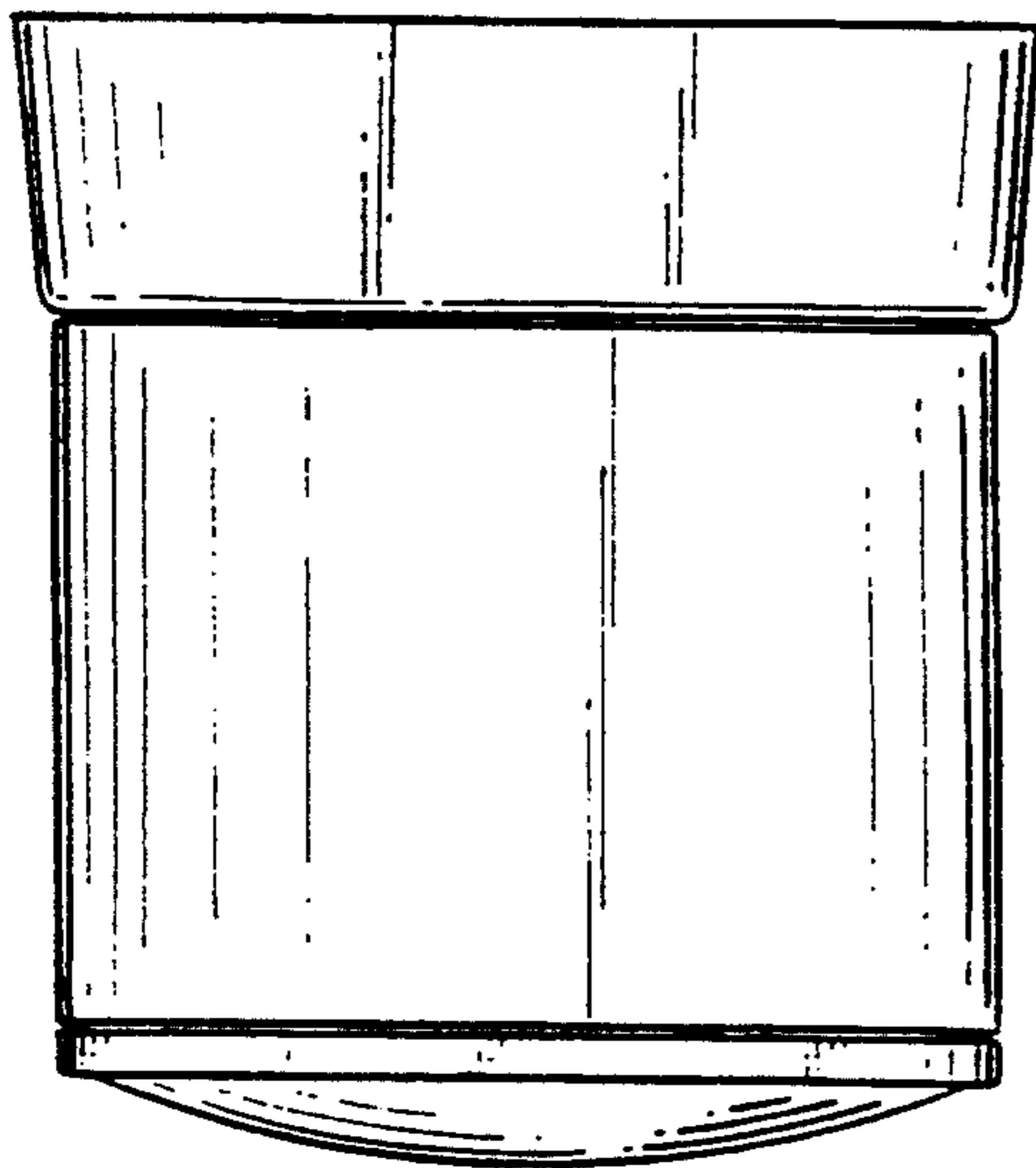
[56] **References Cited**

U.S. PATENT DOCUMENTS

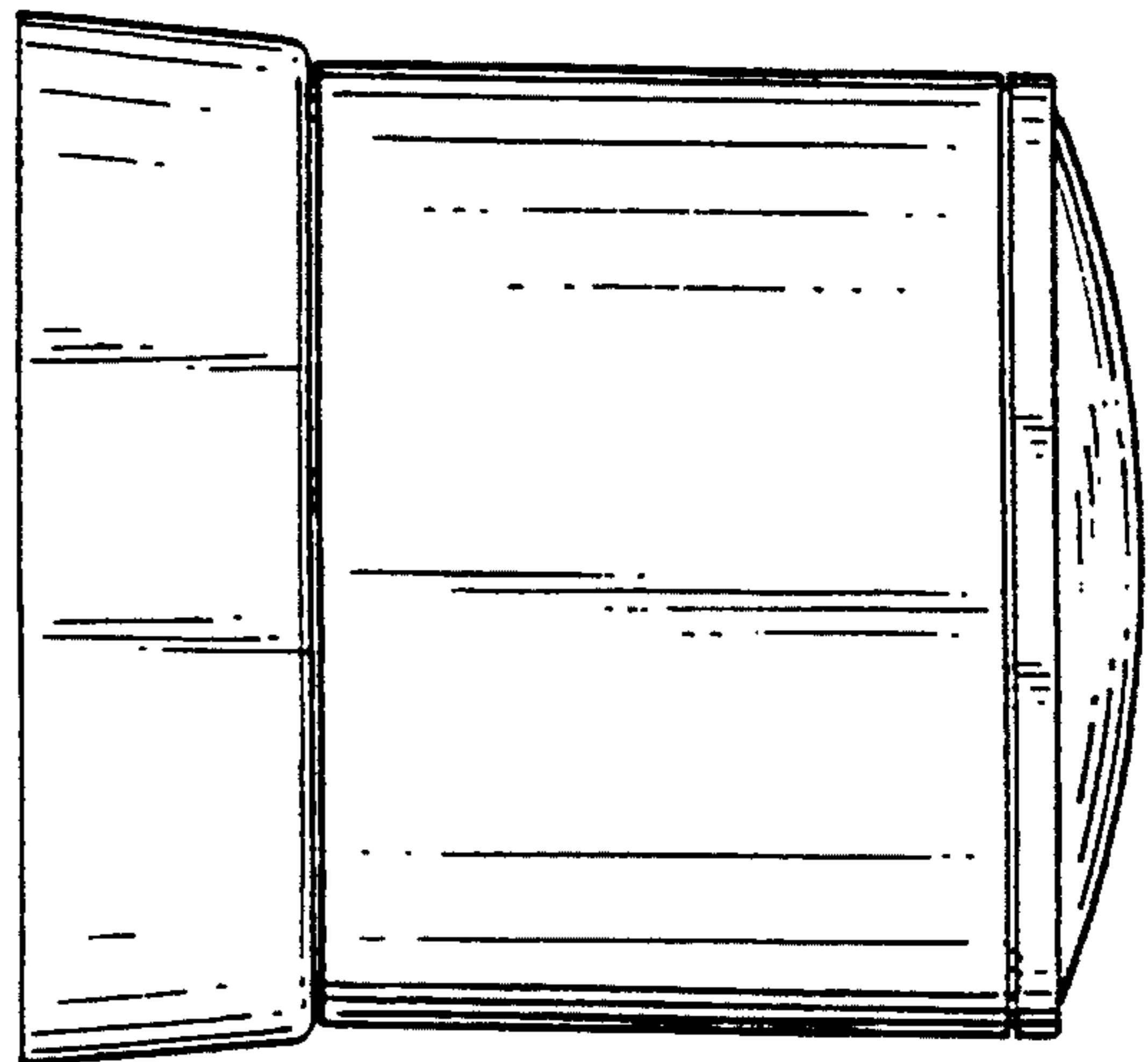
D. 203,678	2/1966	Newton et al.	D16/203
D. 233,170	10/1974	Gideon	D16/203
D. 248,305	6/1978	Scott	D16/203
D. 307,759	5/1990	Pagano	D16/203
4,160,999	7/1979	Claggett	358/108



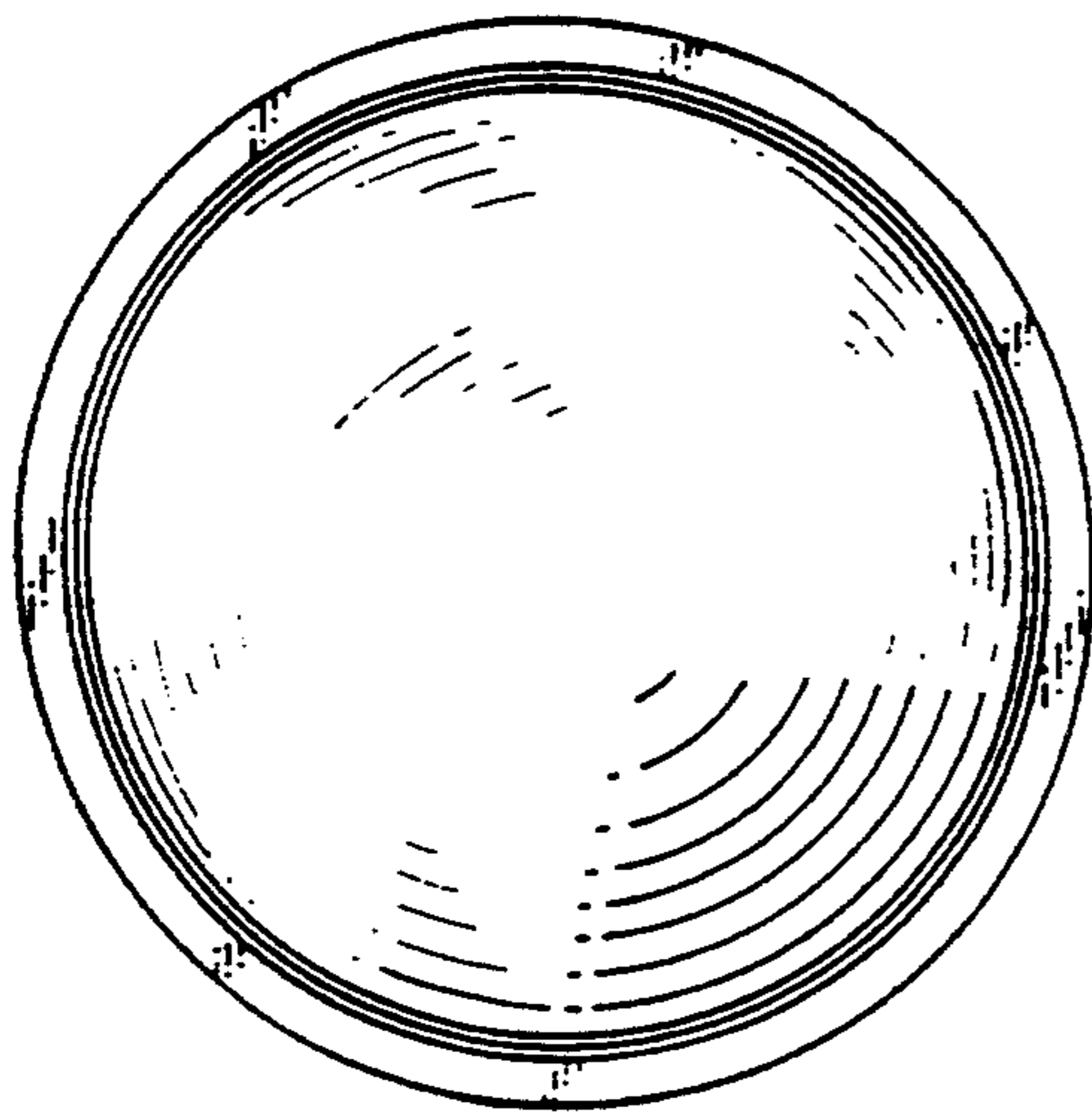
F i g . 1



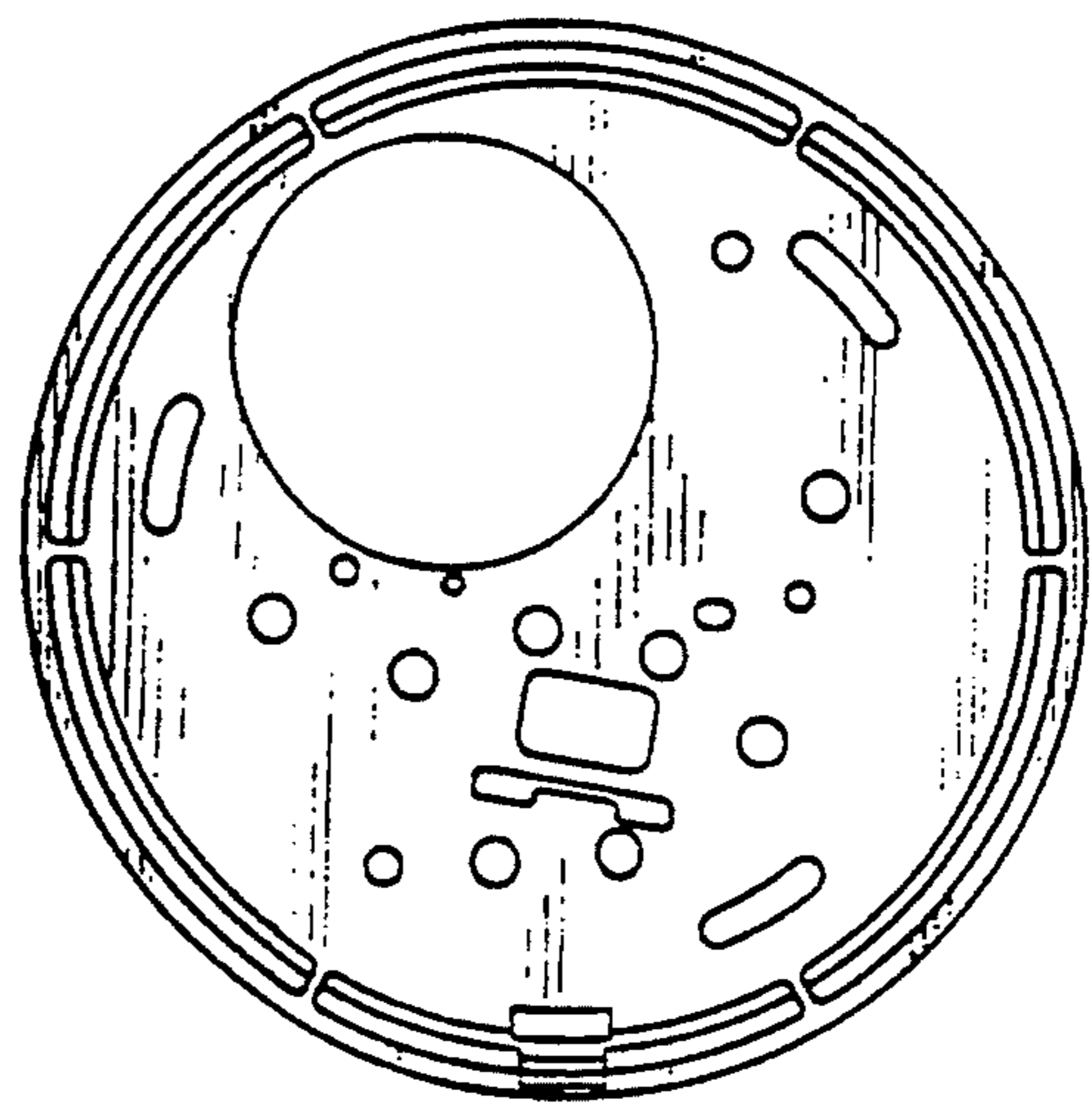
F i g . 2



F i g . 3



F i g . 4



F i g . 5

