



US00D349712S

United States Patent [19]

[11] Patent Number: **Des. 349,712**

Janczak

[45] Date of Patent: **** Aug. 16, 1994**

[54] **COMBUSTION ENGINE DRIVEN WOOD SPLITTING MACHINE**

4,061,168	12/1977	Fariss, Jr.	144/193 R
4,066,110	1/1978	Sacno	144/193 A
4,416,313	11/1983	Seeger	144/193 R
4,423,759	1/1984	Seeger	144/193 R
4,506,712	3/1985	Johnson	144/193 A
4,515,194	5/1985	Dankel	144/193 A

[75] Inventor: **Jerzy Janczak**, S:t Mickelsgatan, Sweden

[73] Assignee: **Jonsered Power Products AB**, Partille, Sweden

[**] Term: **14 Years**

[21] Appl. No.: **7,675**

[22] Filed: **Apr. 30, 1993**

[30] **Foreign Application Priority Data**

Nov. 4, 1992 [SE] Sweden 92-2317

[52] U.S. Cl. **D15/127**

[58] Field of Search 144/193 A-193 K, 144/366; D15/127

[56] **References Cited**

U.S. PATENT DOCUMENTS

D. 261,143 10/1981 Green D15/127

Primary Examiner—Alan P. Douglas
Assistant Examiner—Antoine D. Davis
Attorney, Agent, or Firm—Sughrue, Mion, Zinn, Macpeak & Seas

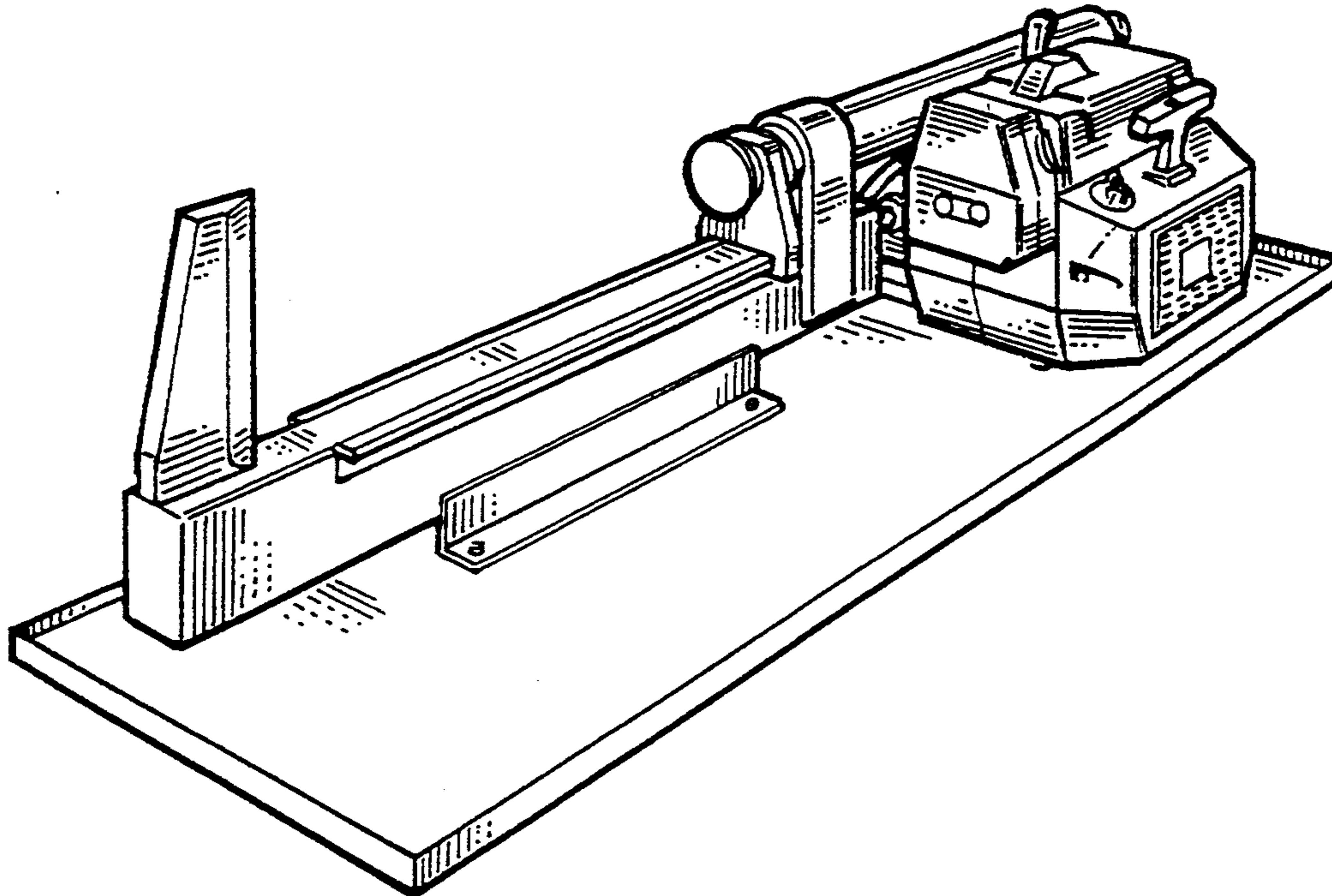
[57] **CLAIM**

The ornamental design for a combustion engine driven wood splitting machine, as shown and described.

DESCRIPTION

FIG. 1 is a front, top and right side perspective view of a combustion engine driven wood splitting machine showing my new design; and, FIG. 2 is a rear, top and left side perspective view thereof.

The bottom is plain and unadorned.



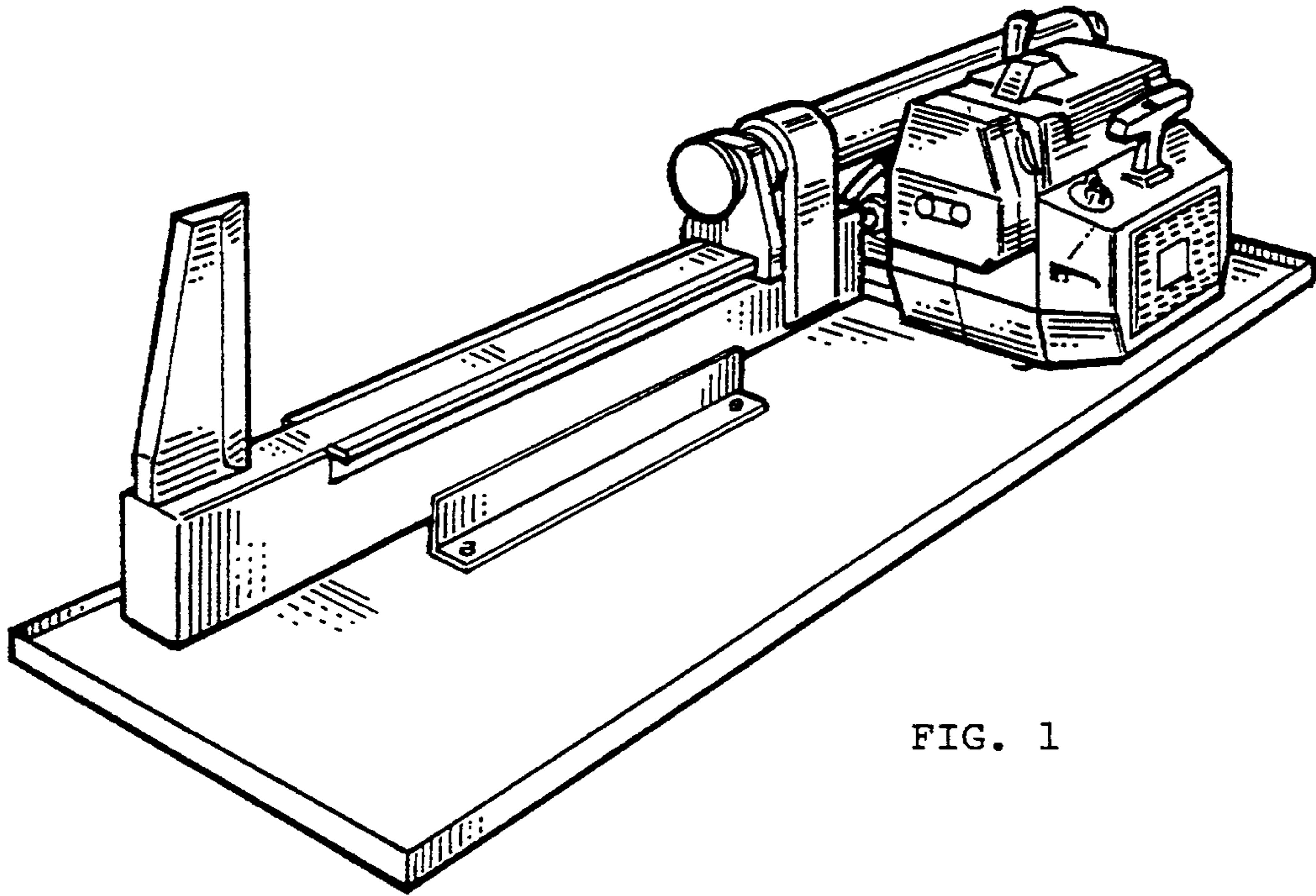


FIG. 1

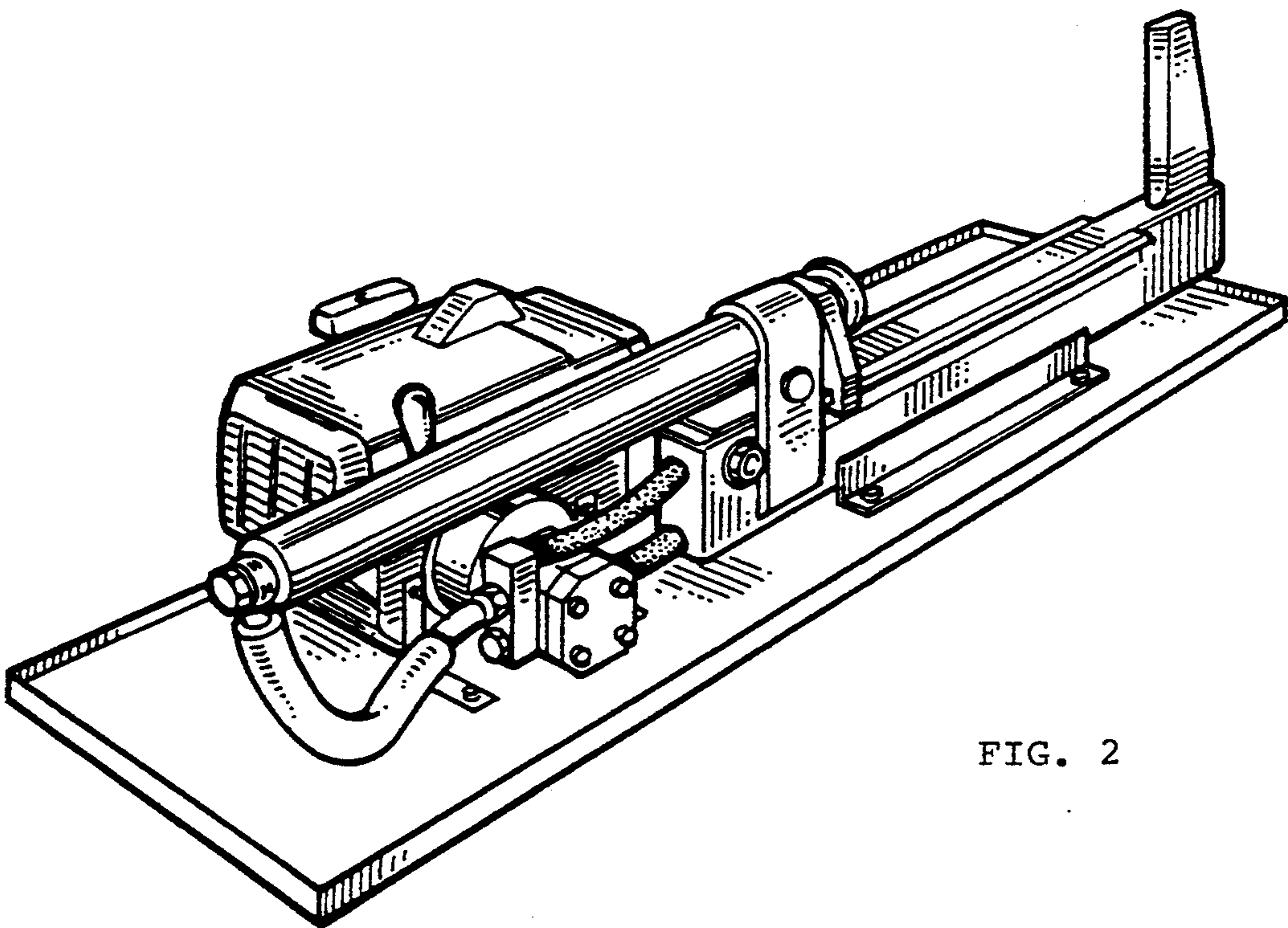


FIG. 2