



US00D349711S

# United States Patent [19]

[11] Patent Number: **Des. 349,711**

Torntore et al.

[45] Date of Patent: **\*\* Aug. 16, 1994**

[54] **CART FOR LINE STRIPER**  
[75] Inventors: **Anthony J. Torntore**, Bloomington;  
**James K. Barnett**, Cottage Grove,  
both of Minn.

4,877,348 10/1989 Opie ..... 404/94  
4,892,251 1/1990 Bresnen ..... 239/150  
4,893,751 1/1990 Armstrong ..... 404/94  
5,064,123 11/1991 Aiello et al. .... 239/146

[73] Assignee: **Wagner Spray Tech Corporation**,  
Minneapolis, Minn.

### FOREIGN PATENT DOCUMENTS

2241270 8/1991 United Kingdom ..... 404/93

[\*\*] Term: **14 Years**

*Primary Examiner*—Bernard Ansher  
*Assistant Examiner*—Sandra Morris  
*Attorney, Agent, or Firm*—Faegre & Benson

[21] Appl. No.: **845,438**

### [57] CLAIM

[22] Filed: **Mar. 3, 1992**

The ornamental design for a cart for line striper, as shown and described.

[52] U.S. Cl. .... **D15/13**

[58] Field of Search ..... 404/93, 94; 239/146,  
239/150, 172, 176, 722; D15/10-13

### DESCRIPTION

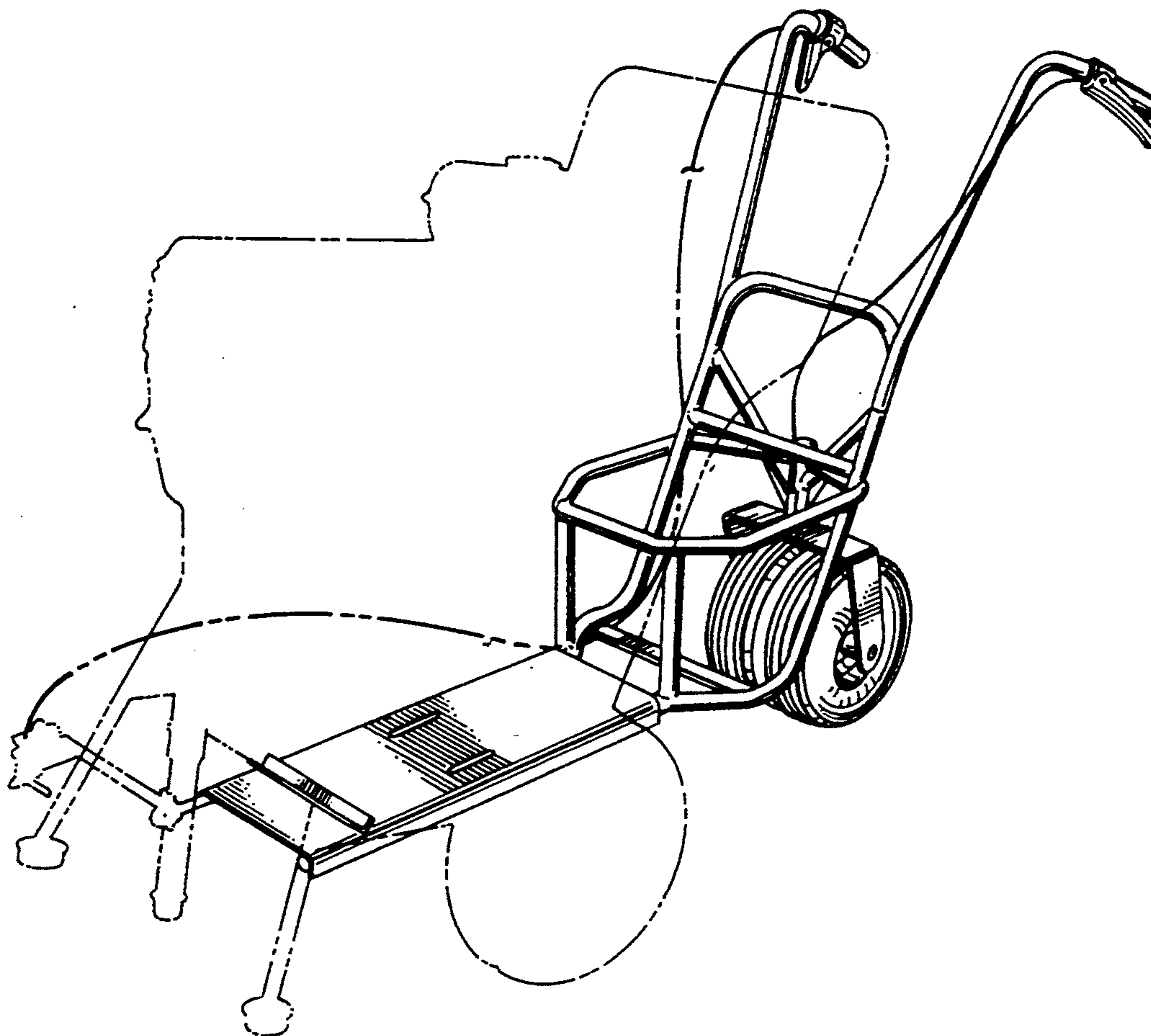
### [56] References Cited

#### U.S. PATENT DOCUMENTS

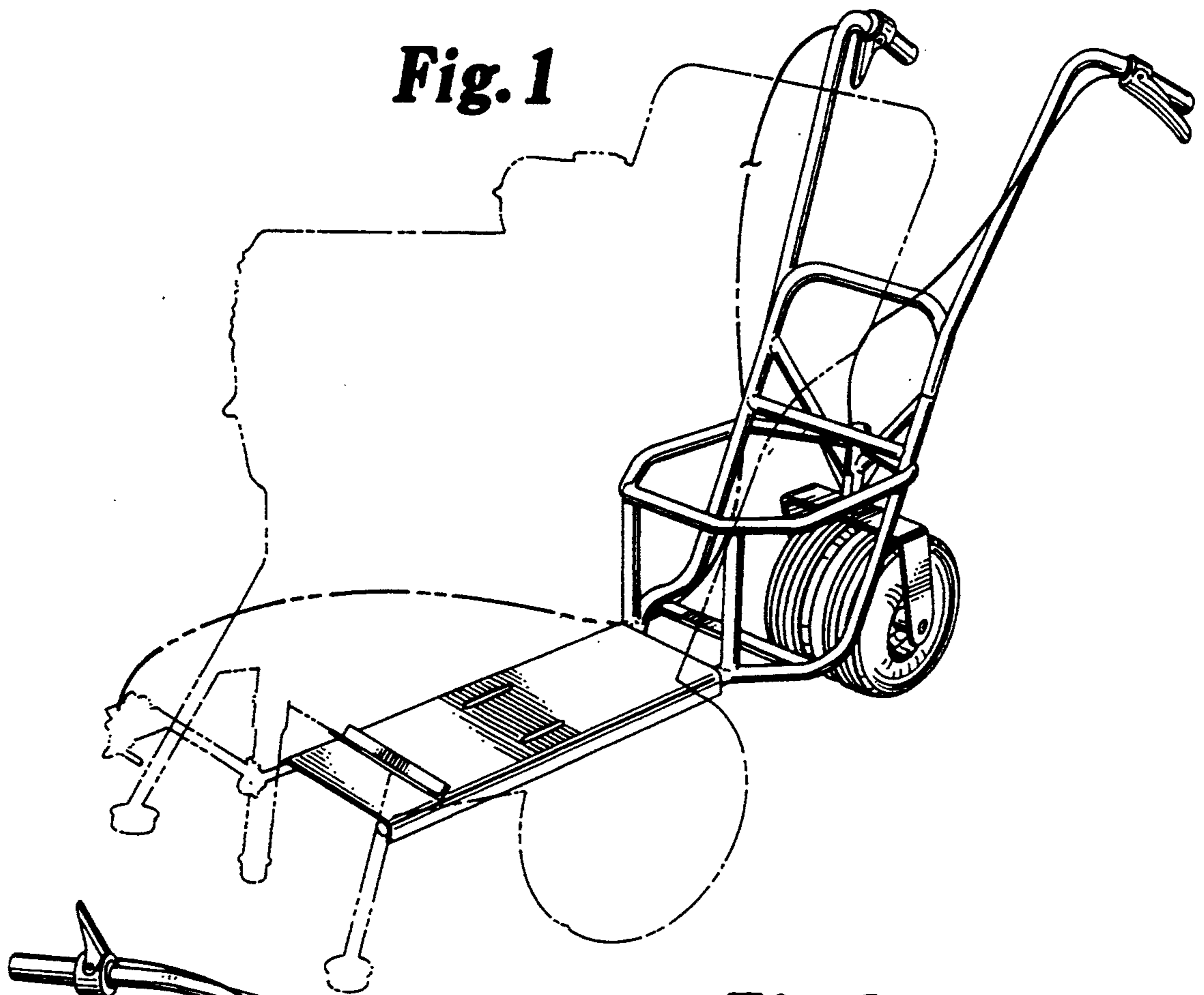
D. 307,590 5/1990 Ridgeon ..... D15/13  
3,239,147 3/1966 Sweet ..... 239/150  
3,940,065 2/1976 Ware et al. .... 239/146  
4,313,780 2/1982 Ford, Jr. .... 404/94  
4,624,602 11/1986 Kieffer et al. .... 404/94  
4,848,659 7/1989 Tadych ..... 239/722

FIG. 1 is a isometric perspective view of the cart for lines striper, showing our new design, the broken line showing is for illustrative purposes only, and forms no part of the claimed design;

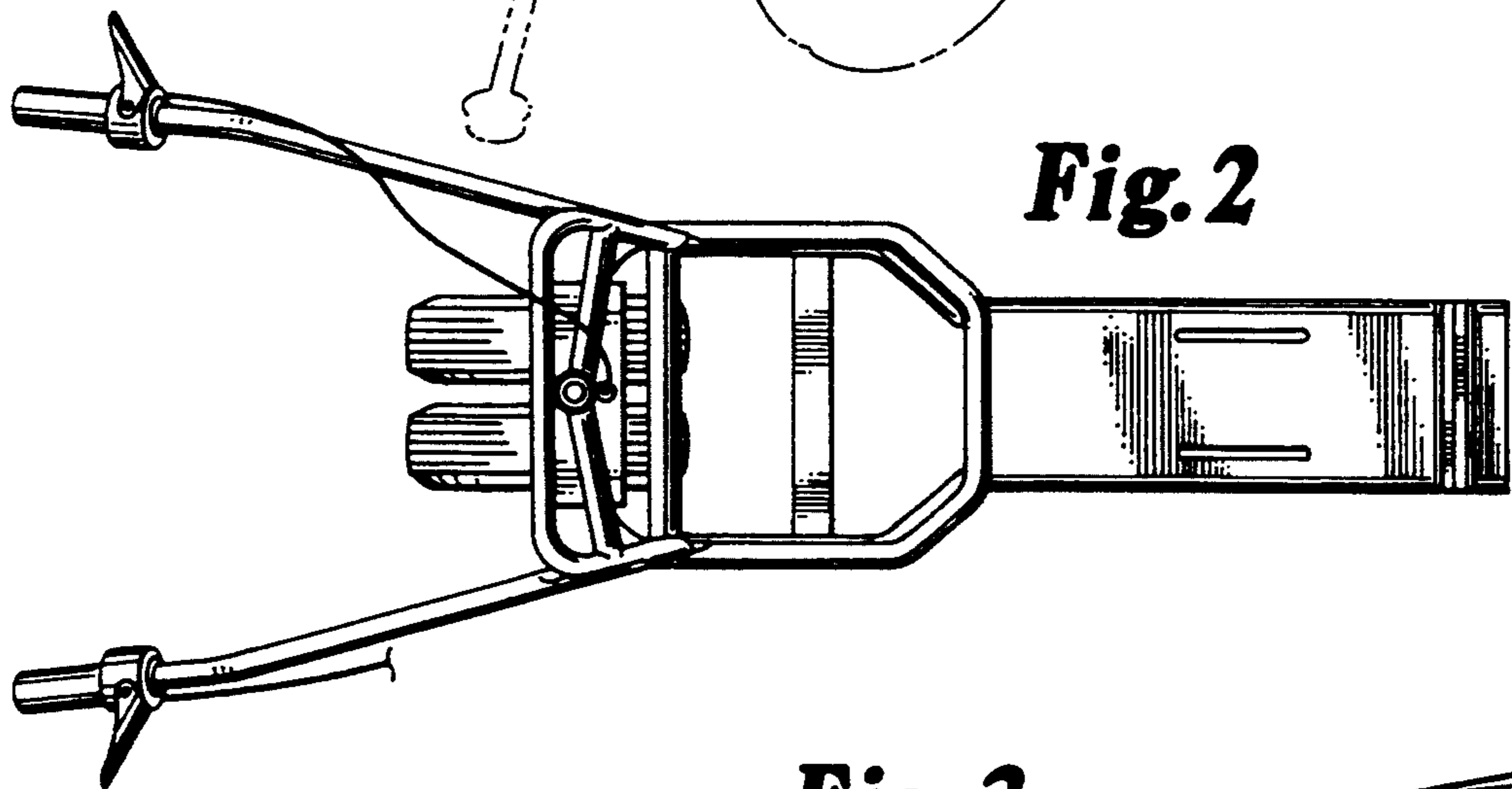
FIG. 2 is a top plan view thereof;  
FIG. 3 is a bottom plan view thereof;  
FIG. 4 is a left side elevational view thereof;  
FIG. 5 is a rear elevational view thereof; and,  
FIG. 6 is a front elevational view thereof.



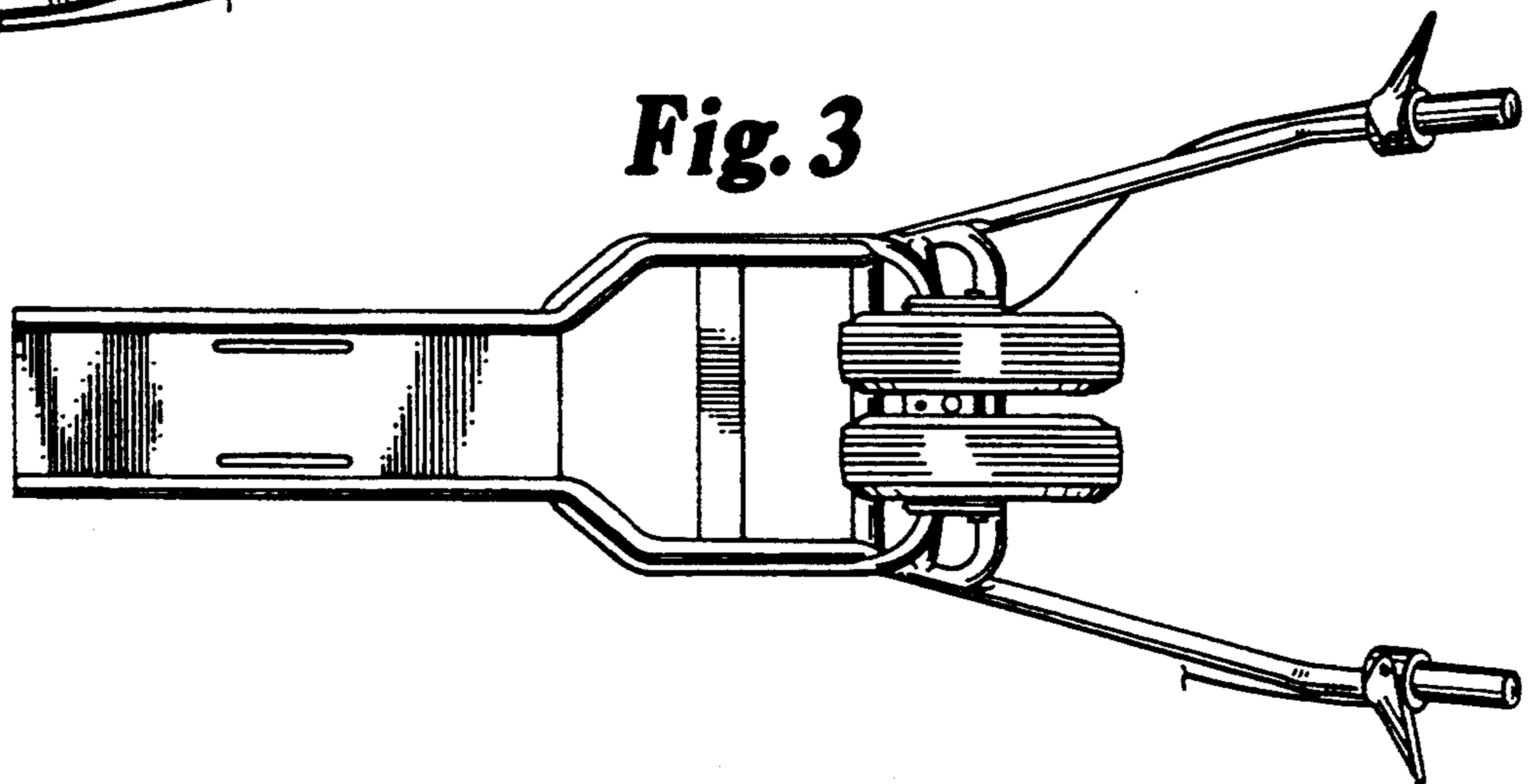
**Fig. 1**



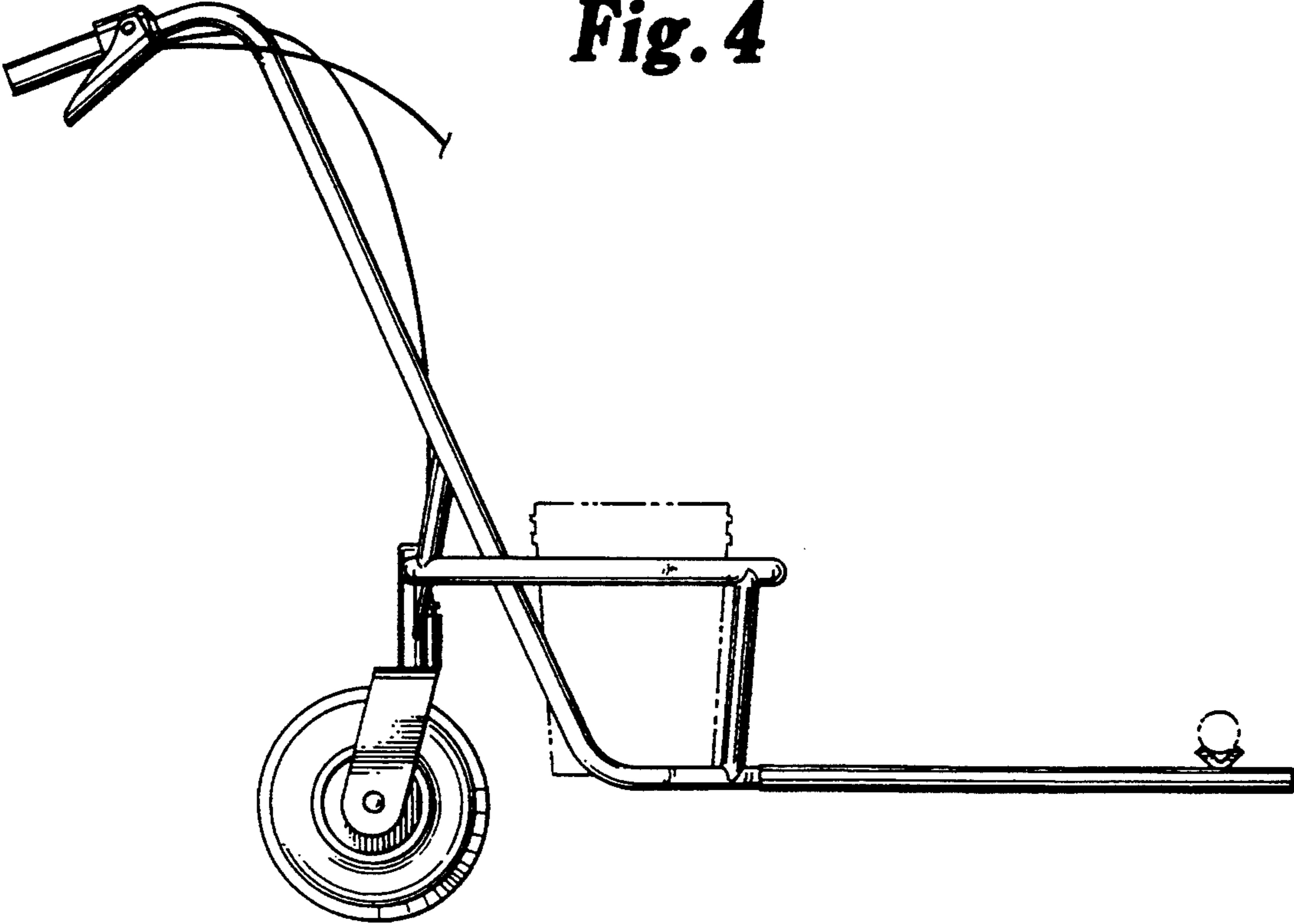
**Fig. 2**



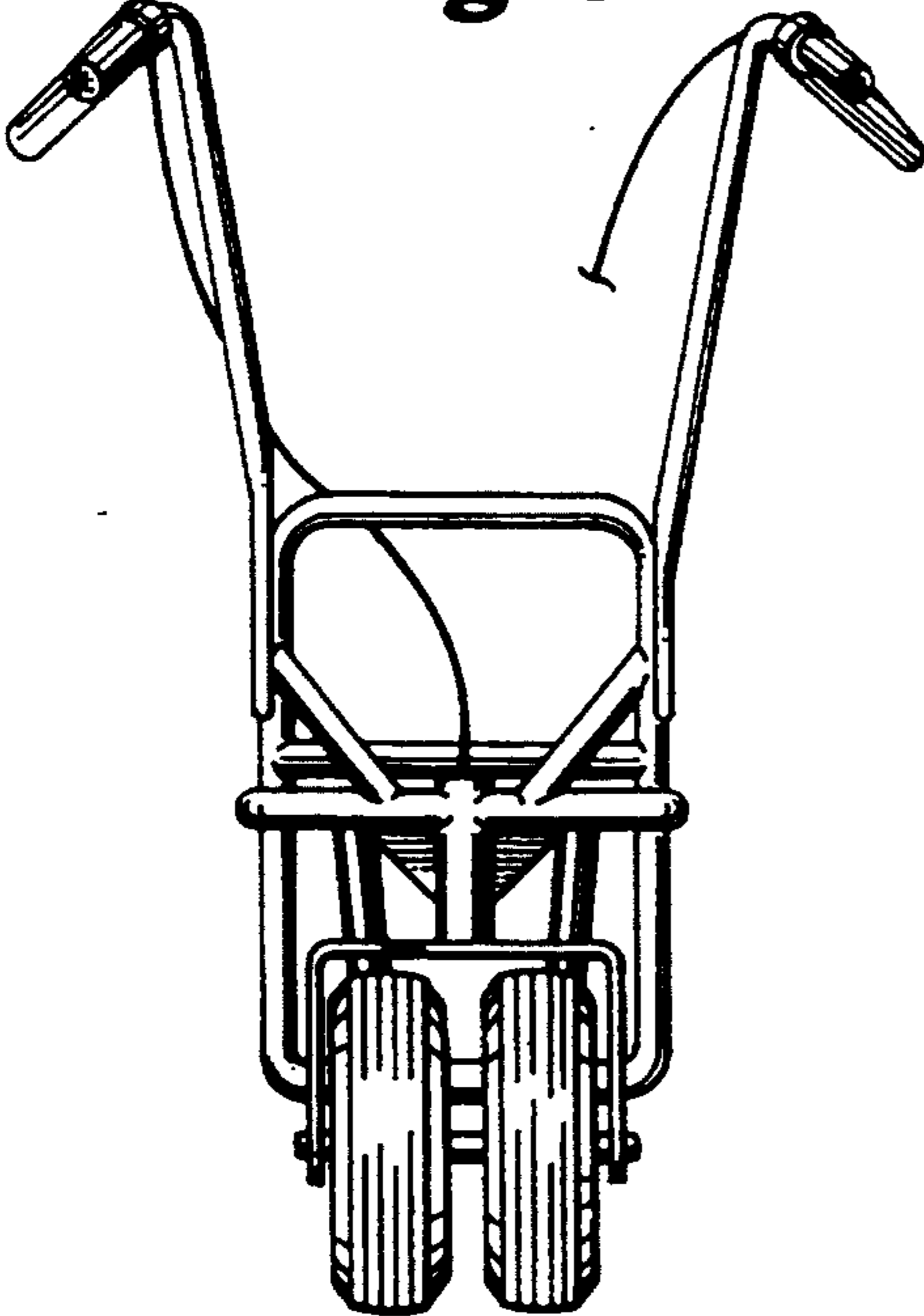
**Fig. 3**



**Fig. 4**



**Fig. 5**



**Fig. 6**

