



US00D349710S

United States Patent [19]

[11] Patent Number: **Des. 349,710**

Moro

[45] Date of Patent: **** Aug. 16, 1994**

[54] **GEAR PUMP**

4,160,626 7/1979 Bell 417/403

[76] Inventor: **Kazuo Moro, 55,
Higashiasakawa-machi, Hachioji-shi,
Tokyo, Japan**

Primary Examiner—A. Hugo Word
Assistant Examiner—R. T. Seifert
Attorney, Agent, or Firm—McGlew and Tuttle

[**] Term: **14 Years**

[57] **CLAIM**

[21] Appl. No.: **345,348**

The ornamental design for a gear pump, as shown and described.

[22] Filed: **Apr. 28, 1989**

[52] U.S. Cl. **D15/7**

DESCRIPTION

[58] Field of Search 417/398-404,
417/424.1-424.2; D15/7, 9-9.3

FIG. 1 is a front elevational view of a gear pump showing my new design, the opposite side being a mirror image;

[56] **References Cited**

U.S. PATENT DOCUMENTS

D. 244,681 6/1977 Bell D15/7
D. 245,501 8/1977 Fitch D15/7
D. 264,972 6/1982 McMillin et al. D15/7

FIG. 2 is a left side elevational view thereof;
FIG. 3 is a right side elevational view thereof;
FIG. 4 is a top plan view thereof;
FIG. 5 is a bottom plan view thereof; and,
FIG. 6 is a perspective view thereof.

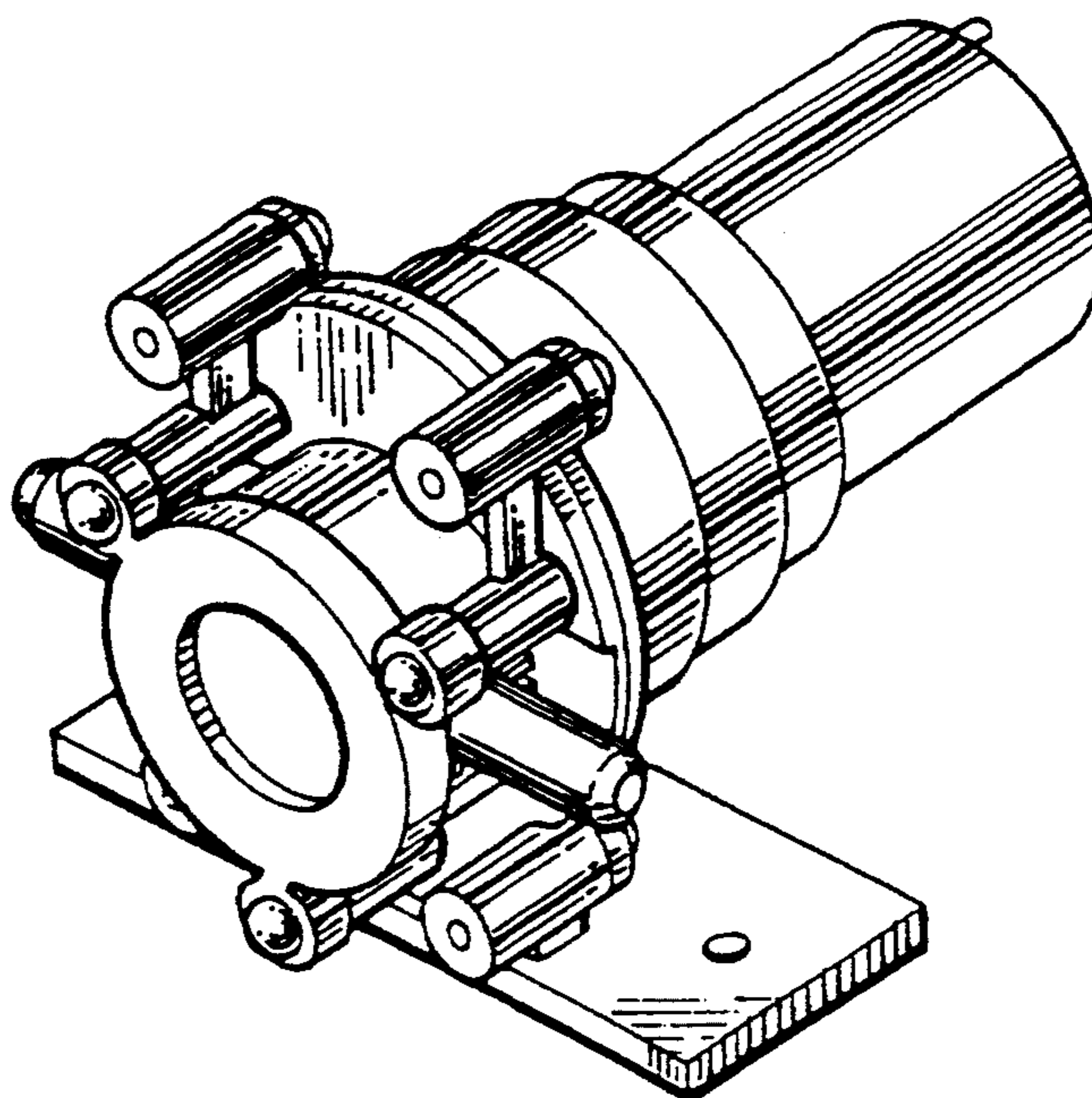


FIG.1

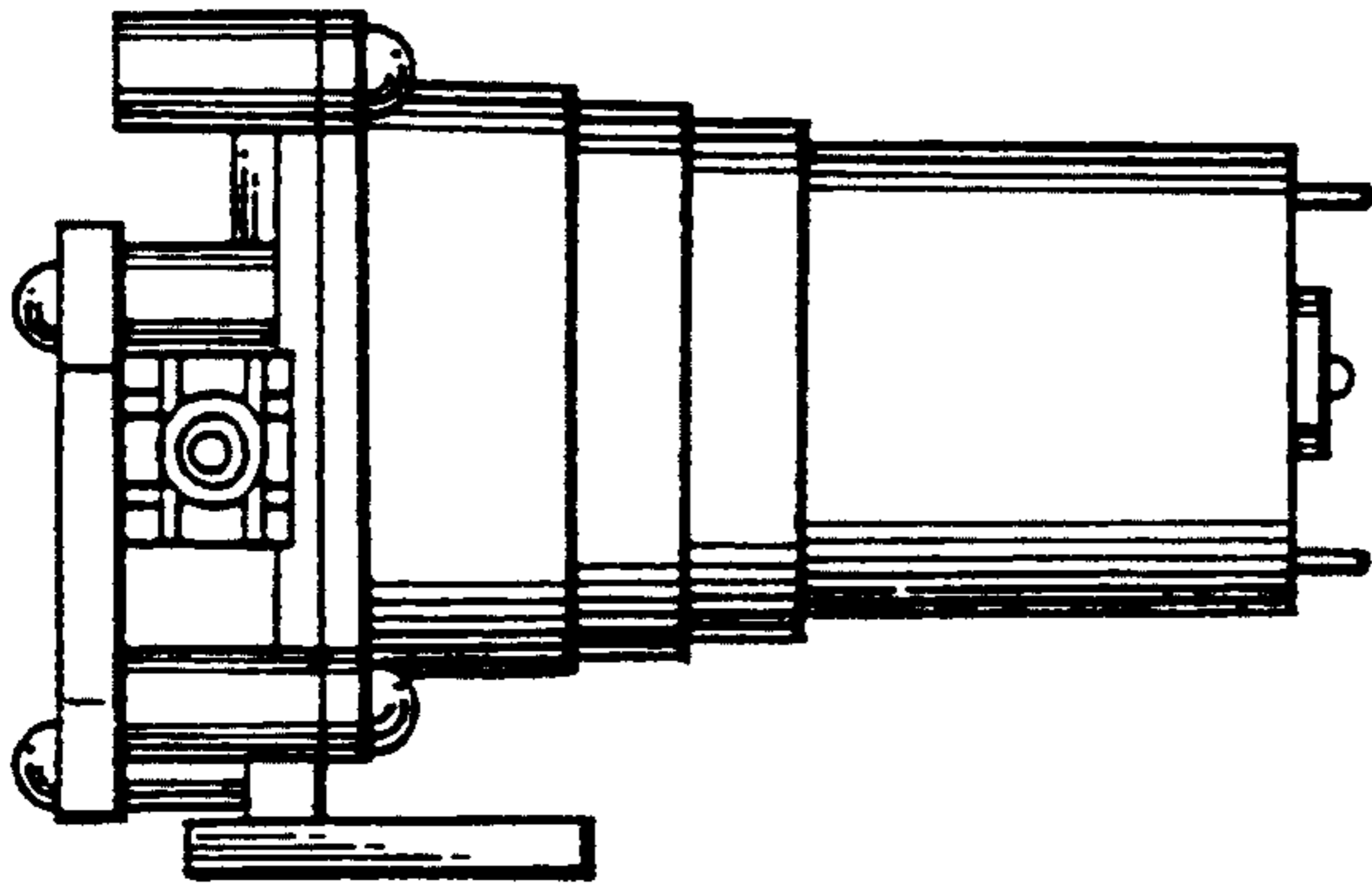


FIG.2

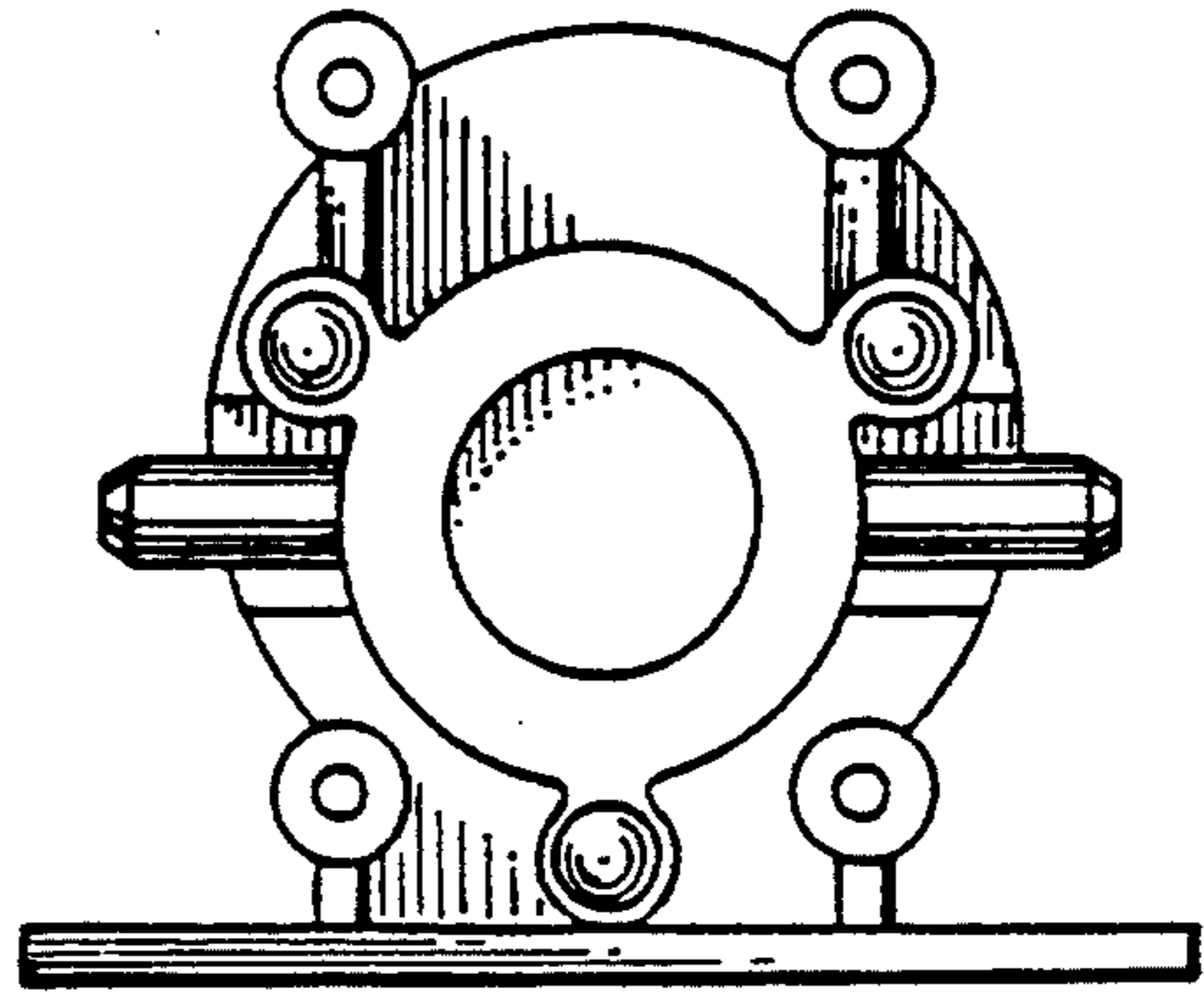


FIG.3

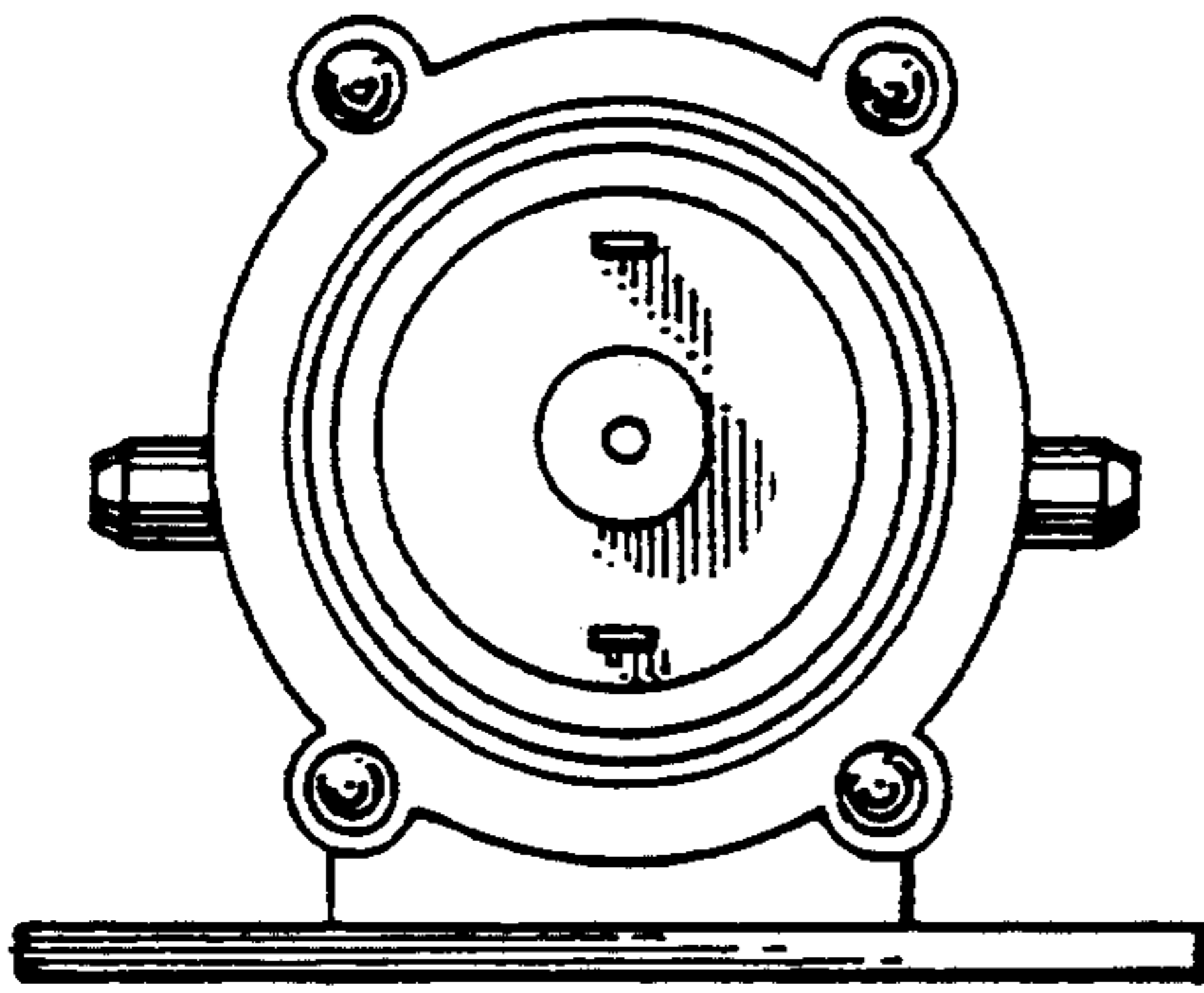


FIG.4

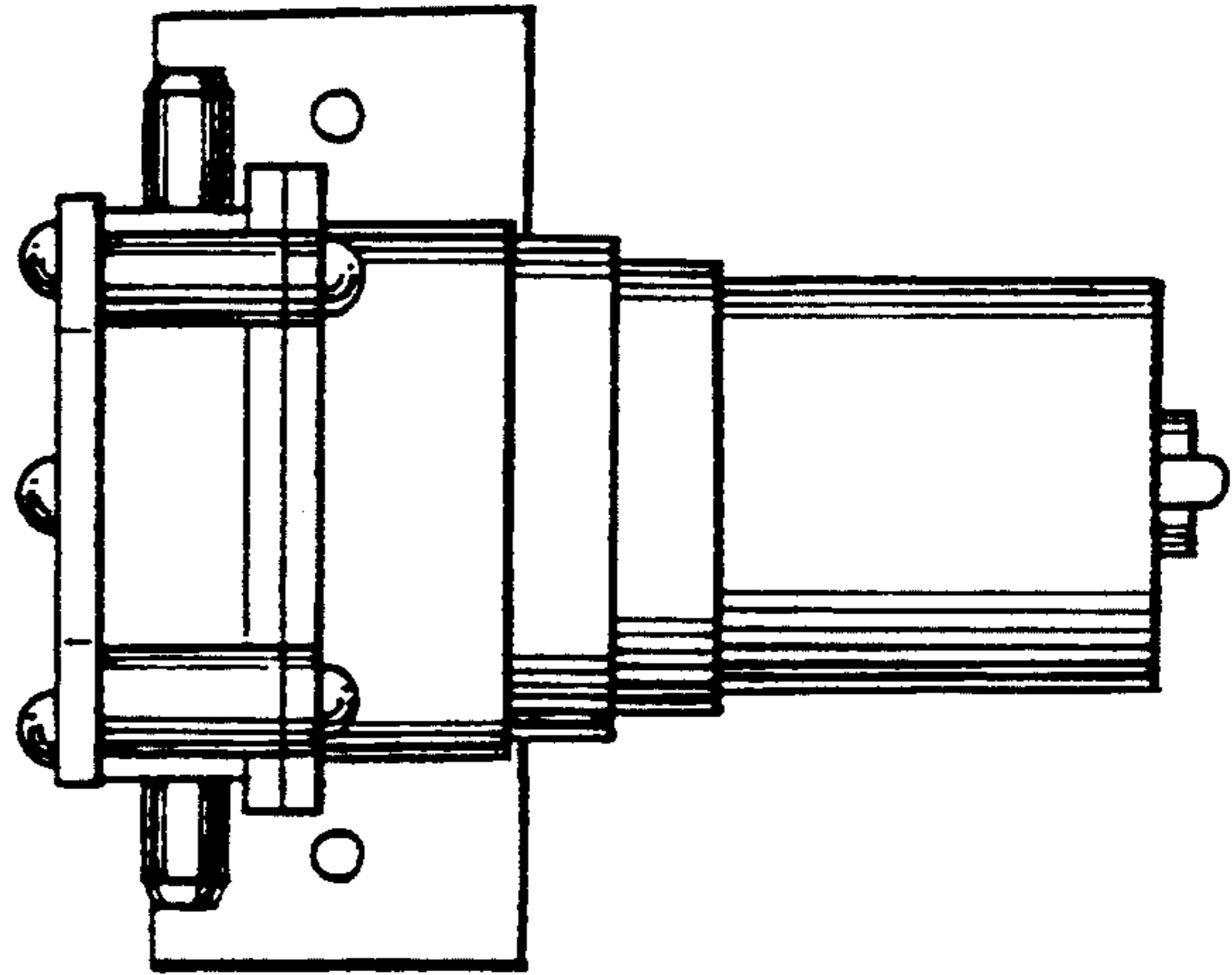


FIG.5

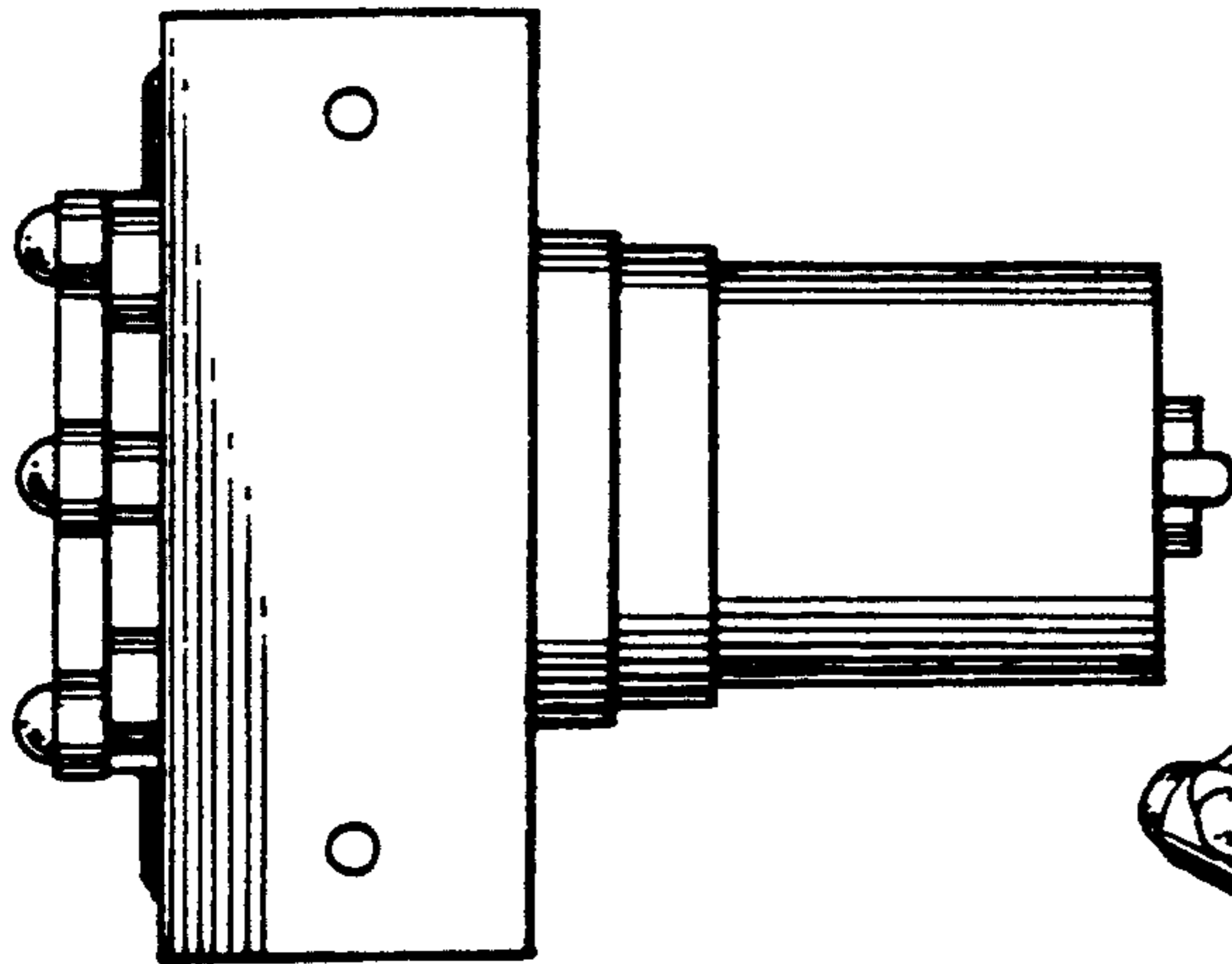


FIG.6

