



US00D349708S

United States Patent [19]

[11] Patent Number: **Des. 349,708**

Henson

[45] Date of Patent: **** Aug. 16, 1994**

[54] **SUN SCREEN FOR USE WITH A TELEVISION**

[76] Inventor: **Michael A. Henson**, 191 Haynes Rd., Marion, N.C. 28752

[**] Term: **14 Years**

[21] Appl. No.: **1,695**

[22] Filed: **Nov. 20, 1992**

[52] U.S. Cl. **D14/239**

[58] Field of Search 358/252, 255; 353/97; D14/239, 114

4,863,242 9/1989 Correa 358/255
 5,101,298 3/1992 Lentz et al. 358/252

Primary Examiner—B. J. Bullock
Attorney, Agent, or Firm—Terry M. Gernstein

[57] CLAIM

The ornamental design for a sun screen for use with a television, as shown and described.

DESCRIPTION

FIG. 1 is a front, top and side perspective view of the sun screen for use with a television showing my new design;

FIG. 2 is a front elevational view thereof;

FIG. 3 is an inverted bottom plan view thereof;

FIG. 4 is an inverted right side elevational view thereof;

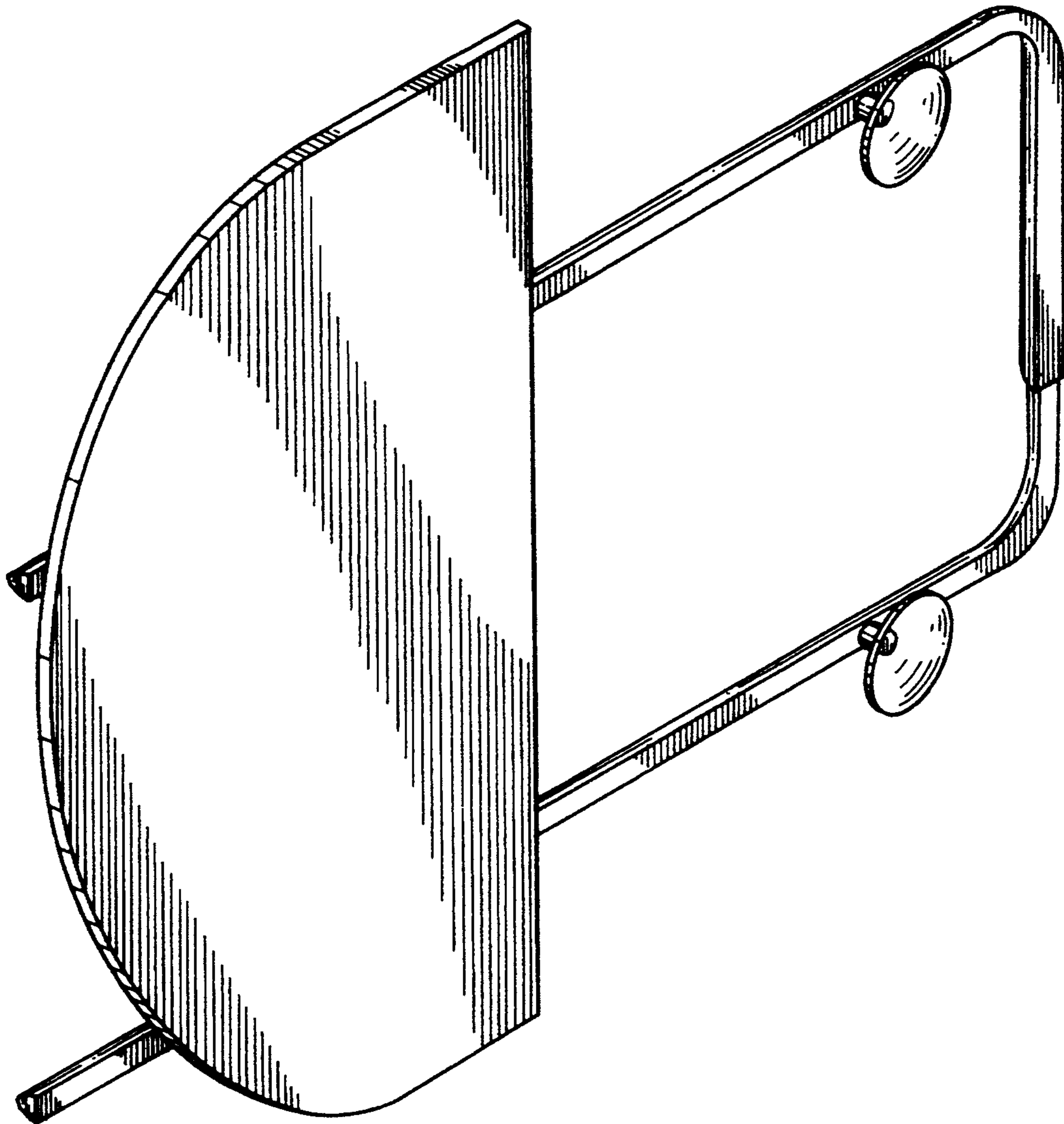
FIG. 5 is a left side elevational view thereof;

FIG. 6 is a bottom plan view thereof; and,

FIG. 7 is a top plan view thereof.

[56] **References Cited**
U.S. PATENT DOCUMENTS

D. 337,591	7/1993	Buhyoff	D14/239
4,097,902	6/1978	Curnuck	358/255
4,314,280	2/1982	Rose	358/255
4,633,324	12/1986	Giulie	358/255



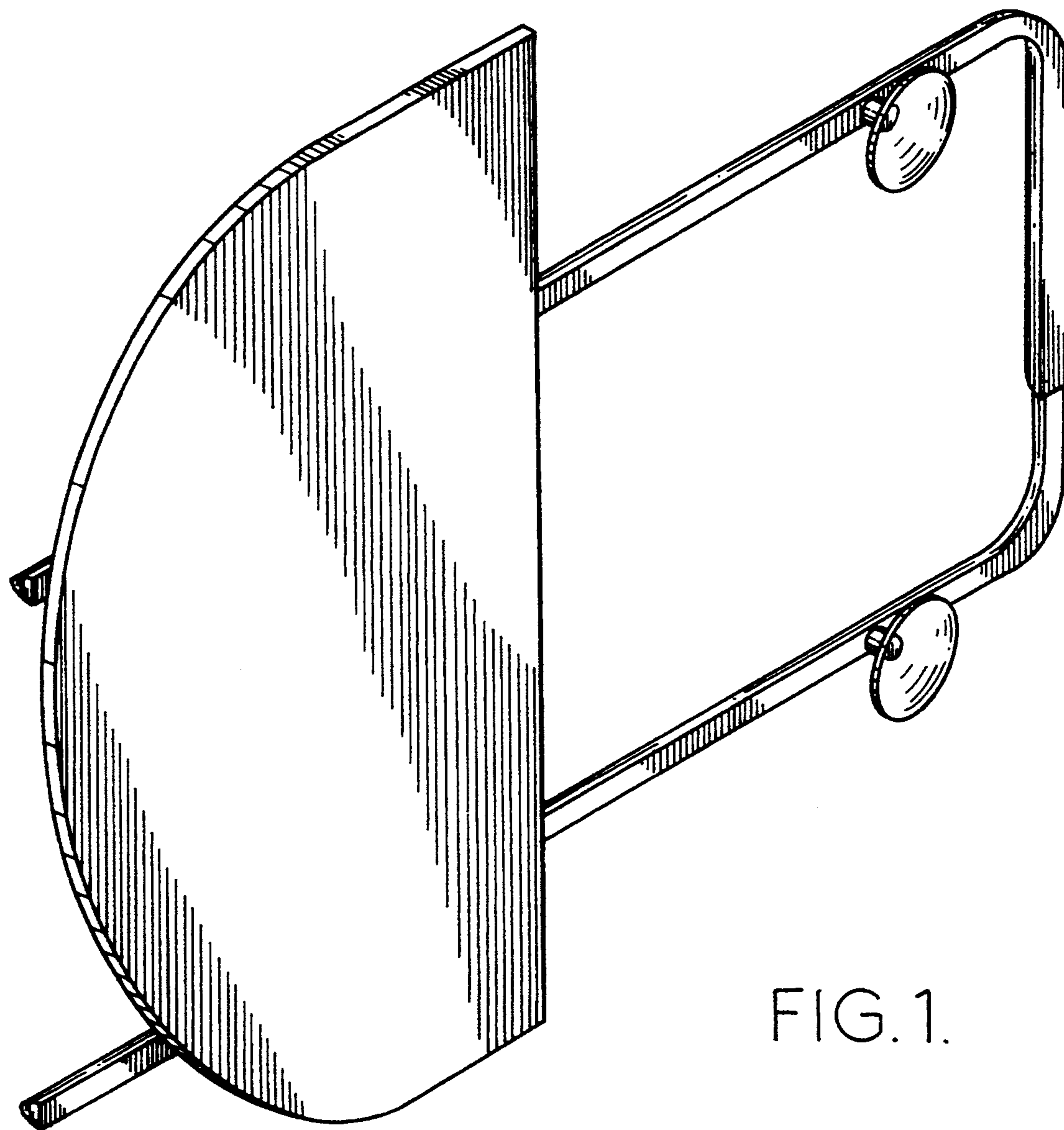


FIG. 1.

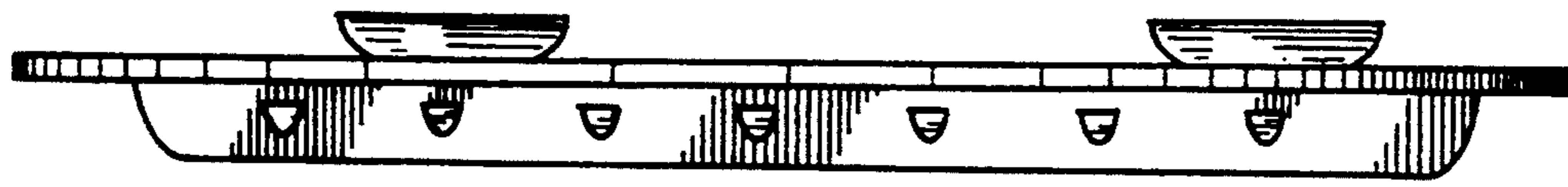


FIG. 5.

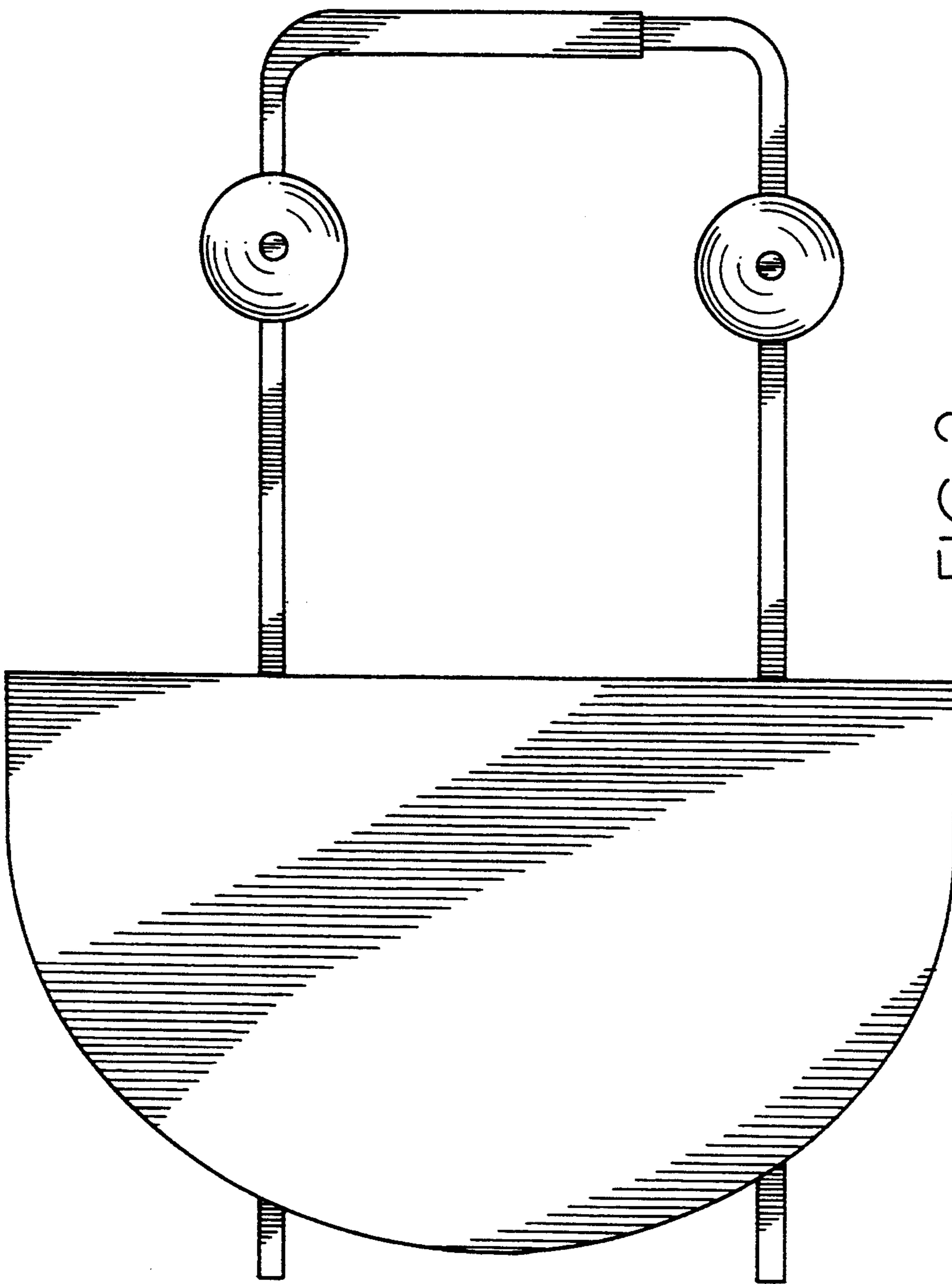


FIG. 2.

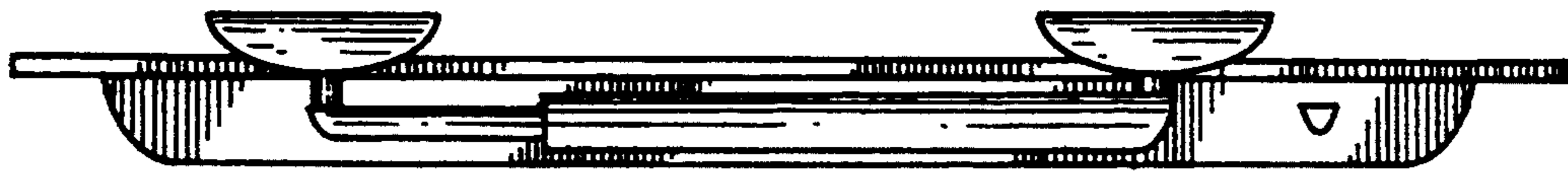


FIG. 4.

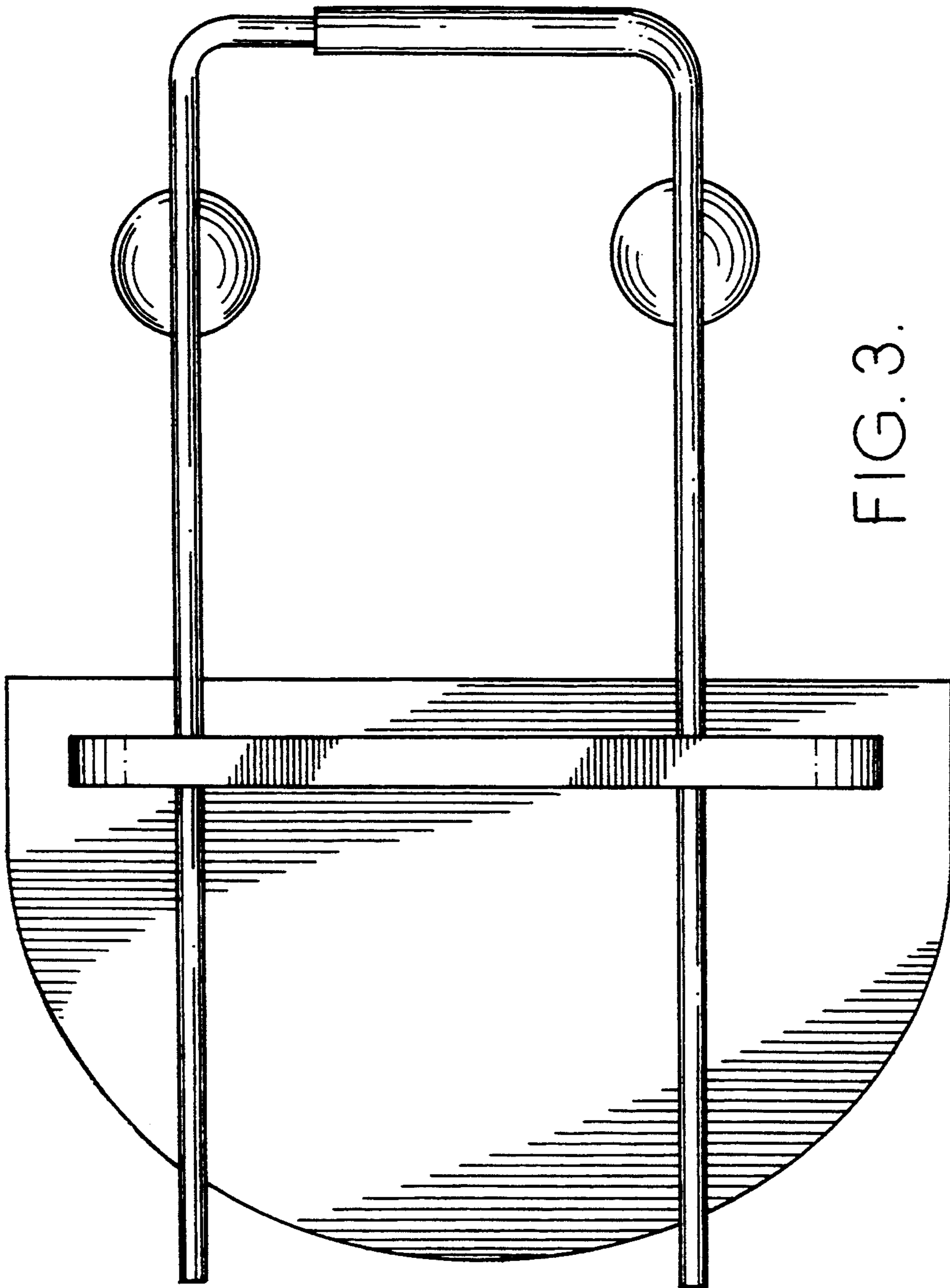


FIG. 3.

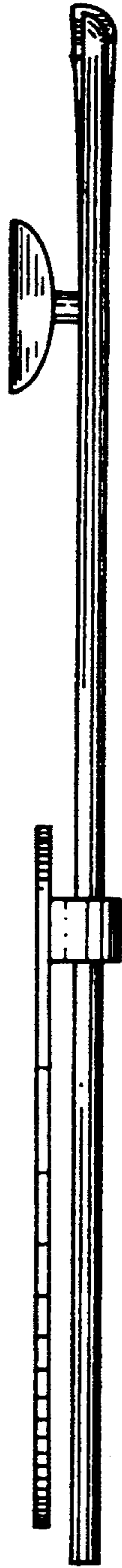


FIG. 6.

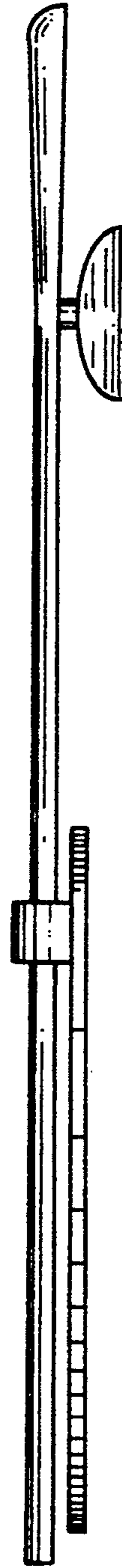


FIG. 7.