



US00D349707S

United States Patent [19] Drake

[11] Patent Number: Des. 349,707

[45] Date of Patent: ** Aug. 16, 1994

[54] MOBILE GROUND PLANE ANTENNA

[76] Inventor: **Aaron R. Drake**, 20109 Shady Meadow Way, Newalla, Okla. 74857

[**] Term: **14 Years**

[21] Appl. No.: **886,464**

[22] Filed: **May 21, 1992**

[52] U.S. Cl. **D14/233; D14/234**

[58] Field of Search 343/711, 713, 714, 715, 343/811, 874, 878, 880, 882, 895, 808, 907; D14/230, 233, 234

D. 309,736 8/1990 Charet et al. D14/230
 3,210,765 10/1965 Jones 343/907
 3,691,561 9/1972 Jäger 343/808

Primary Examiner—B. J. Bullock
Attorney, Agent, or Firm—Robert K. Rhea

[57] CLAIM

The ornamental design for a mobile ground plane antenna, as shown.

DESCRIPTION

FIG. 1 is a front elevational view of my new design for a mobile ground plane antenna, the rear being a mirror image thereof;

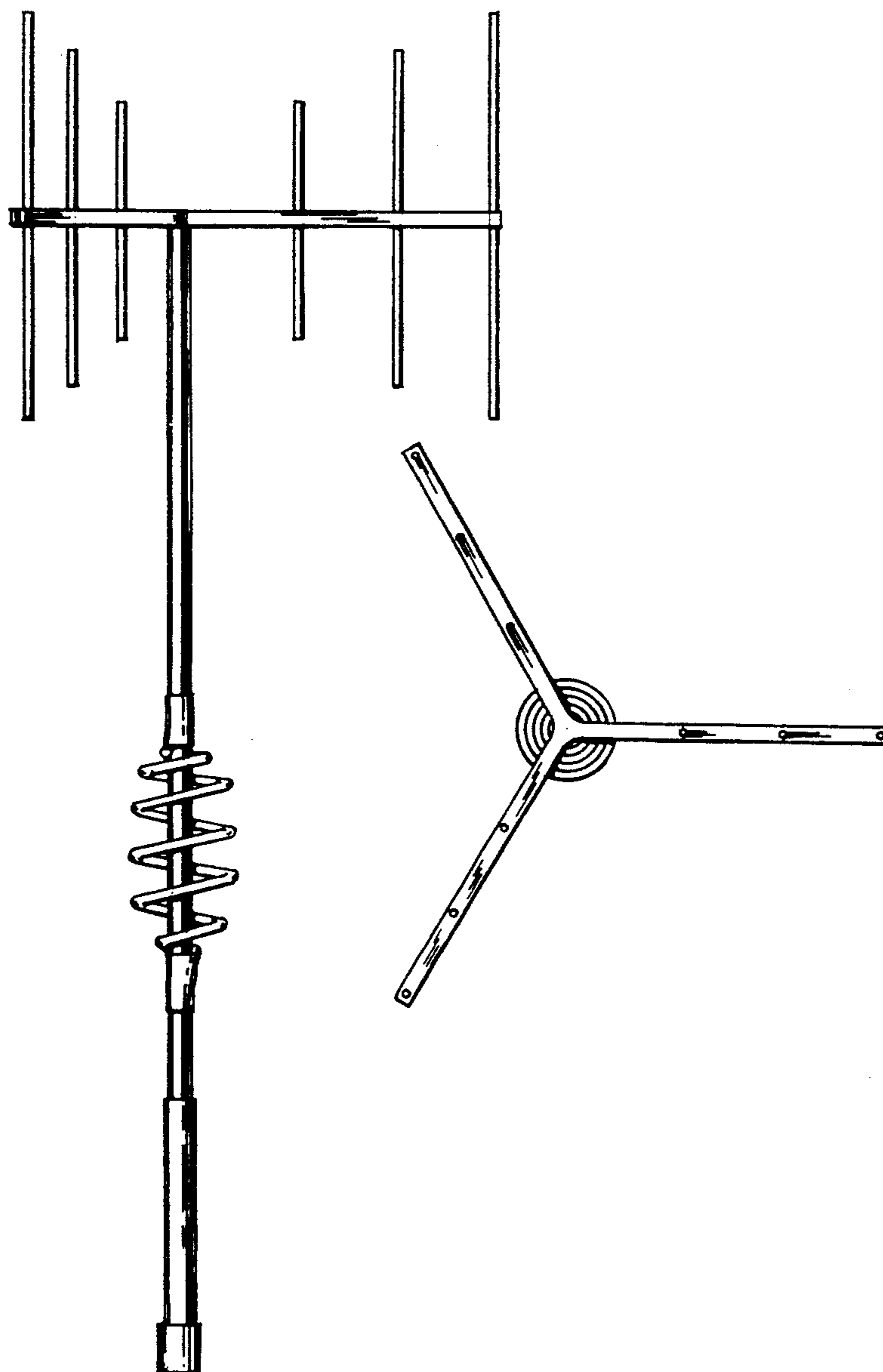
FIG. 2 is a right side elevational view thereof;

FIG. 3 is a left side elevational view thereof;

FIG. 4 is a top plan view thereof; and,

FIG. 5 is a bottom plan view thereof.

[56] **References Cited**
U.S. PATENT DOCUMENTS
 D. 209,147 11/1967 Johnson D14/234
 D. 211,095 5/1968 Weston D14/233



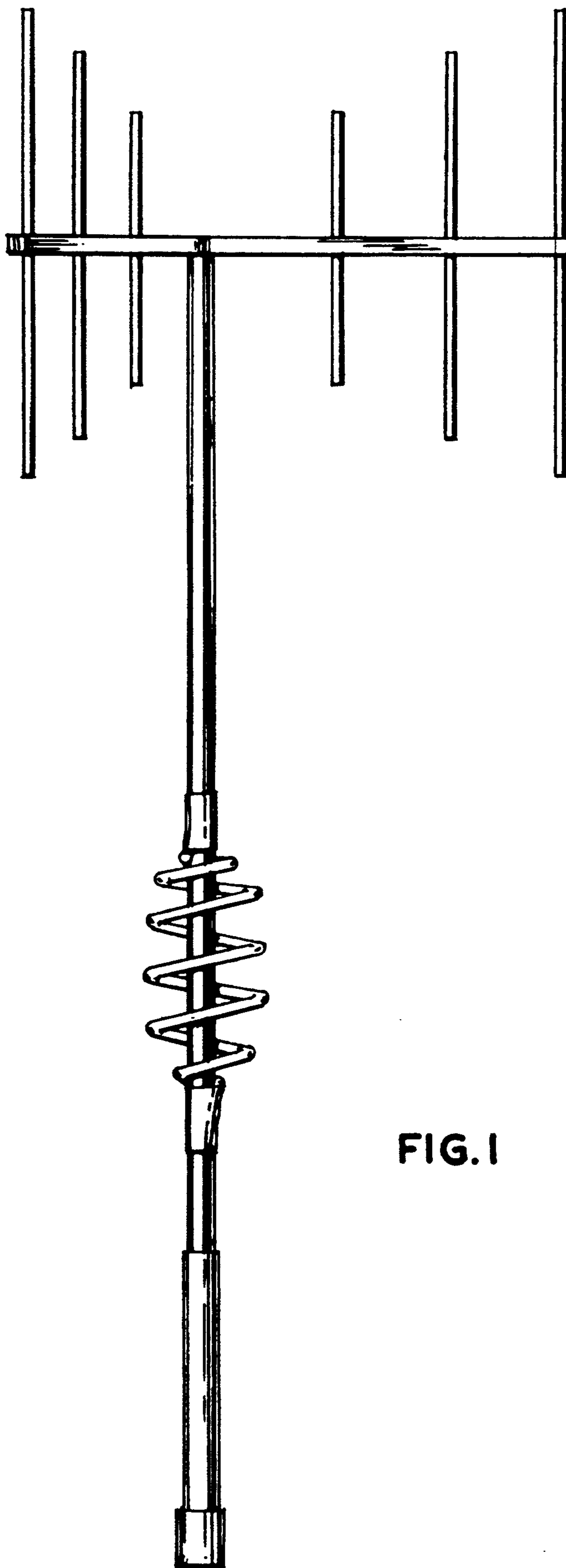


FIG. 1

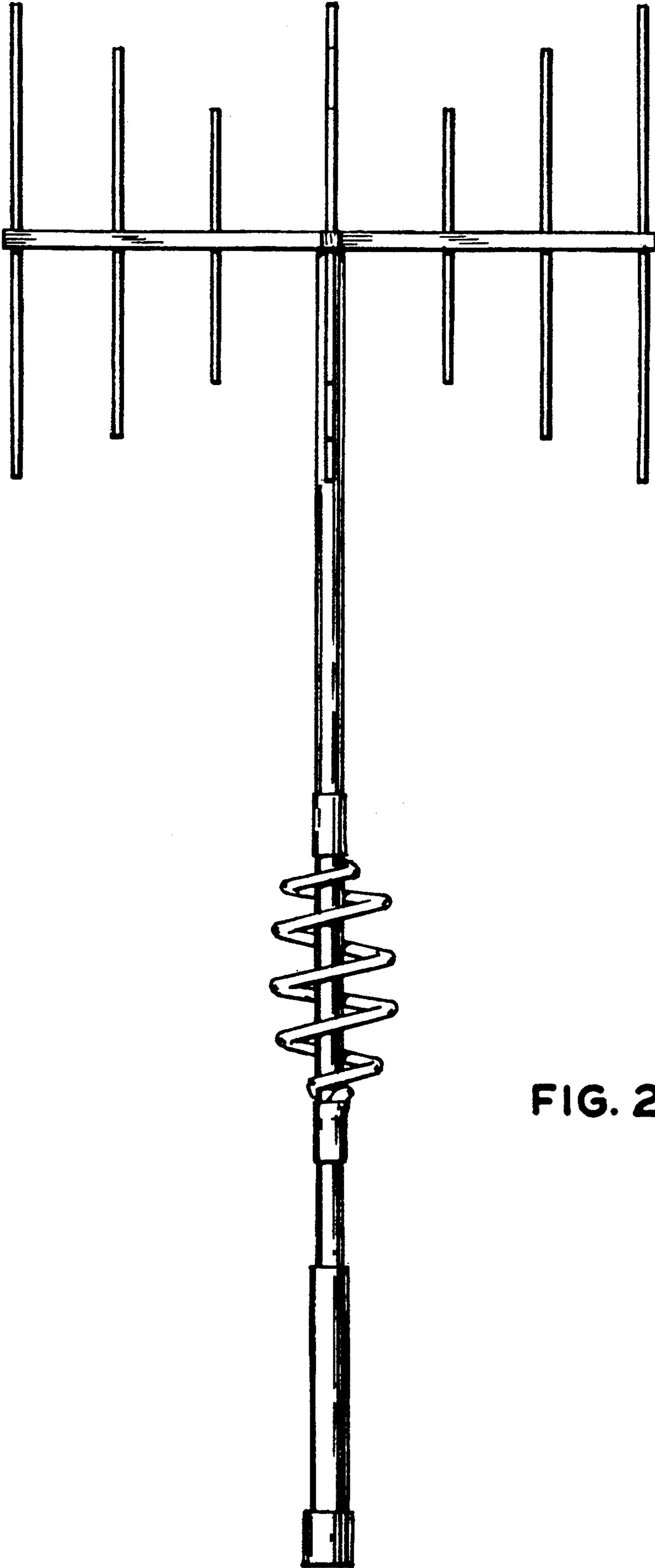


FIG. 2

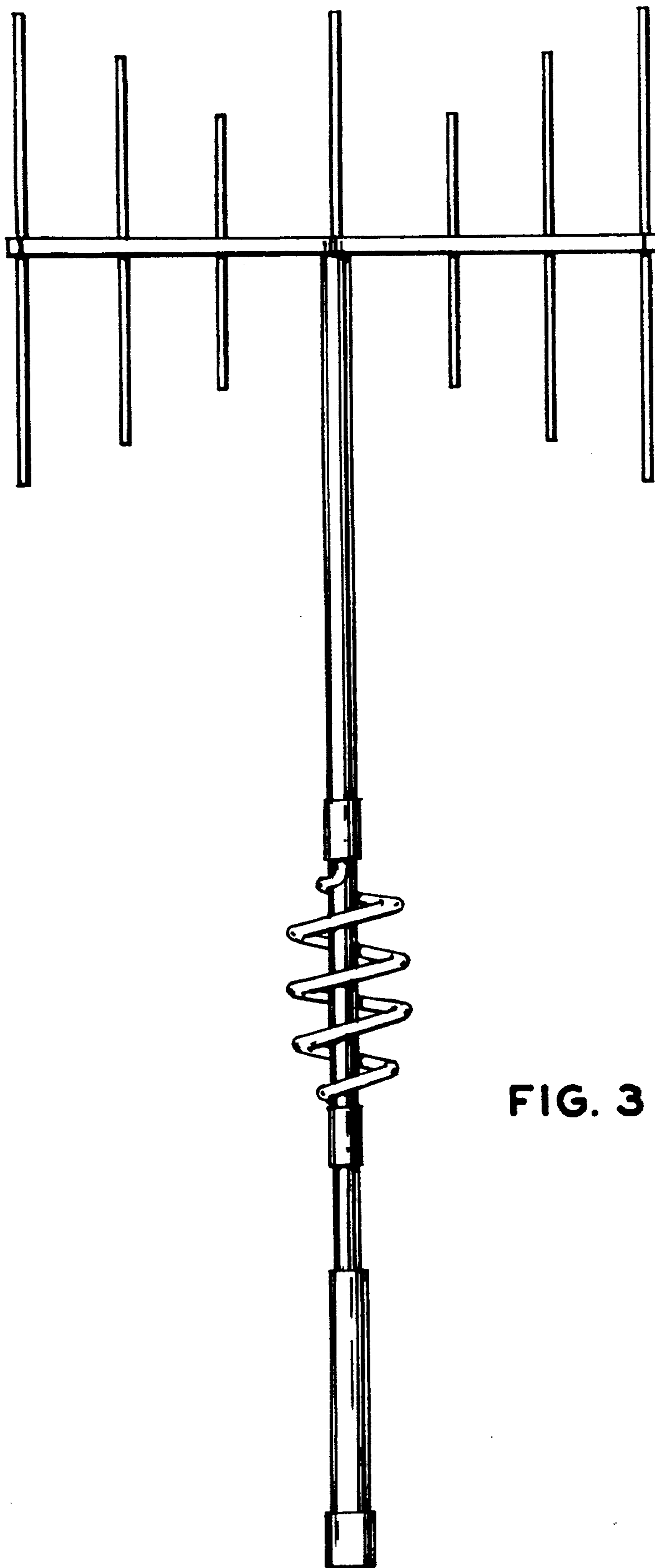


FIG. 3

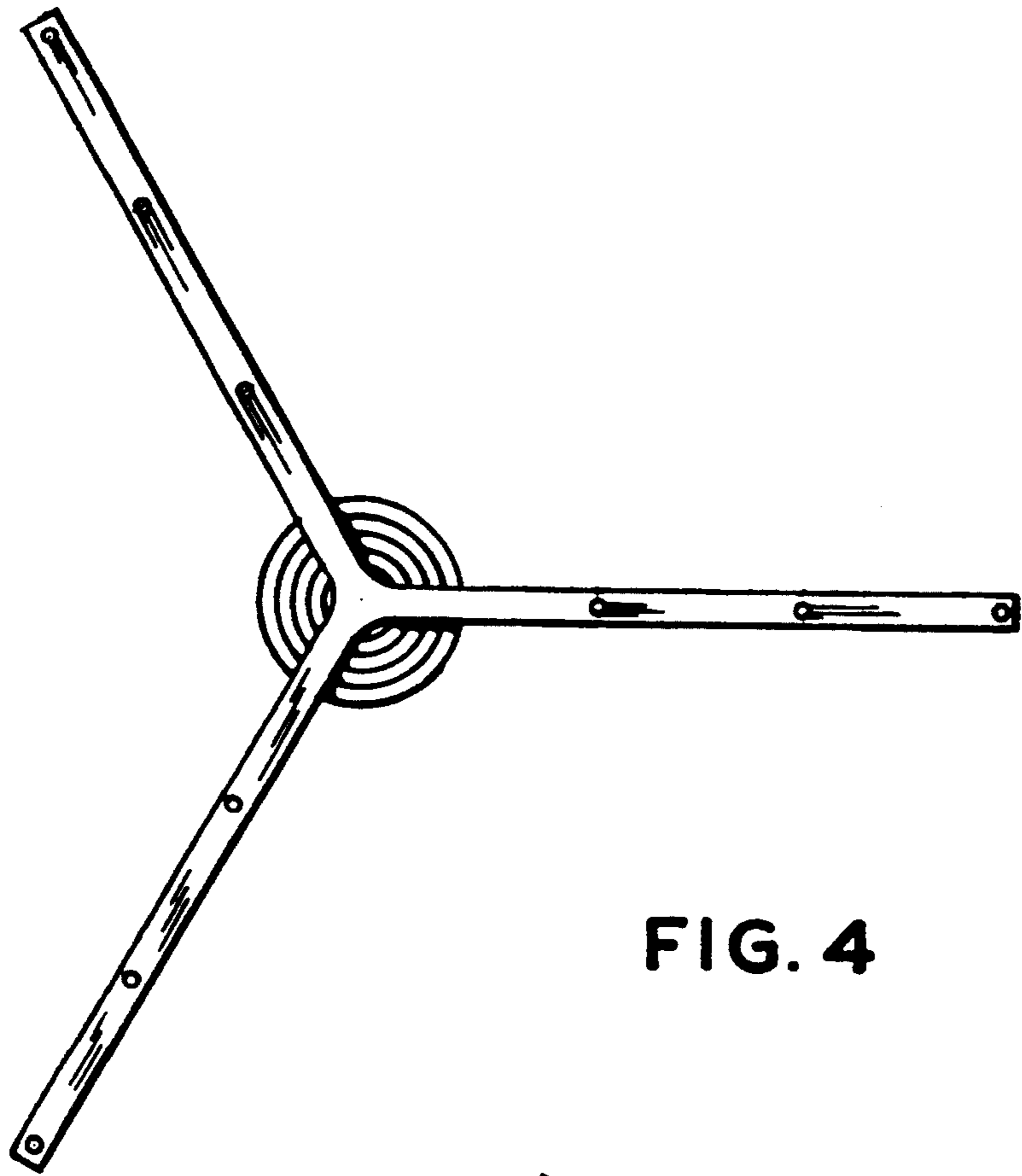


FIG. 4

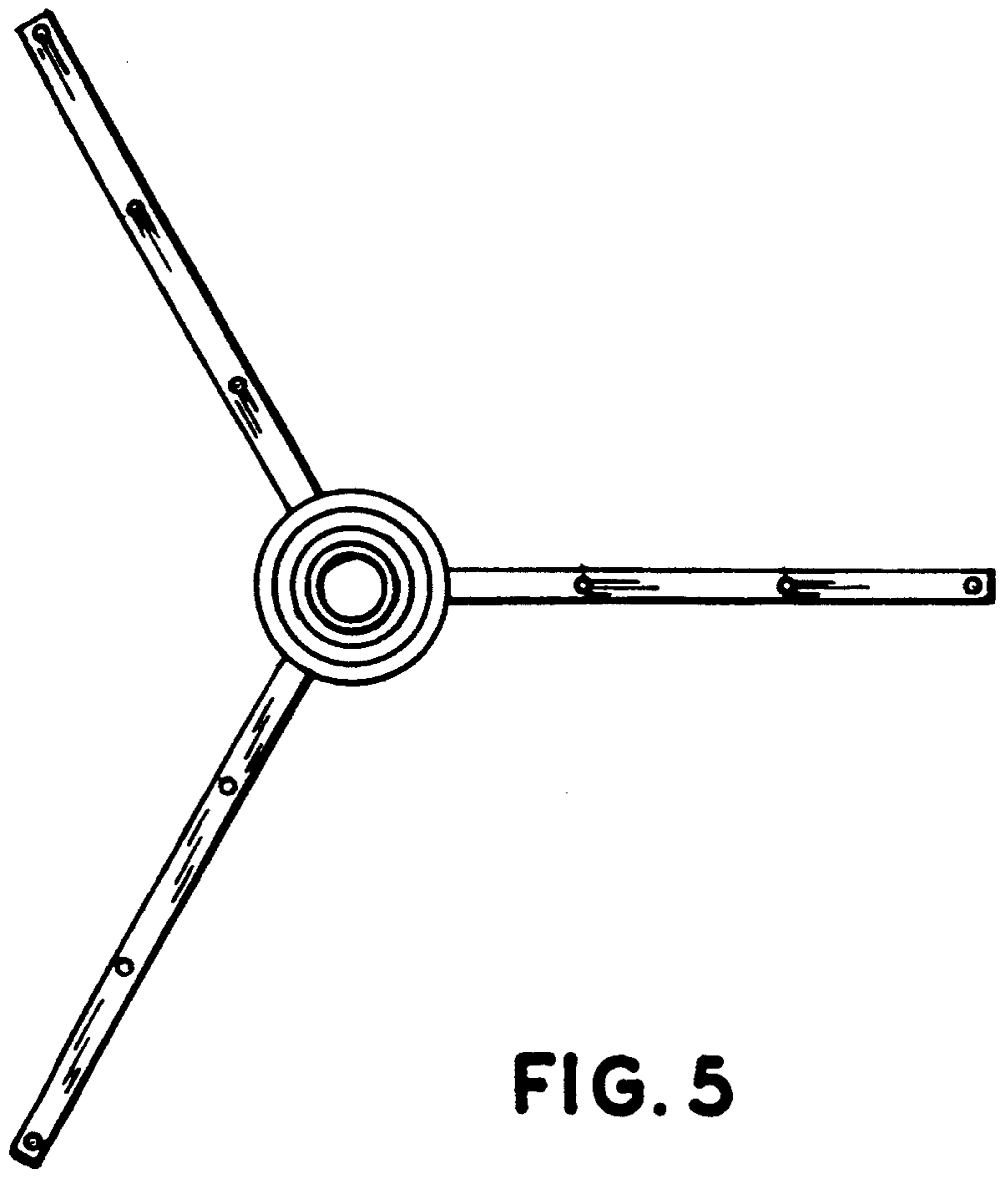


FIG. 5