



US00D349698S

# United States Patent [19]

[11] Patent Number: **Des. 349,698**

**Kim**

[45] Date of Patent: **\*\* Aug. 16, 1994**

[54] **TELEVISION RECEIVER**

[75] Inventor: **Tae B. Kim**, Seoul, Rep. of Korea

[73] Assignee: **Goldstar Co., Ltd.**, Seoul, Rep. of Korea

[\*\*] Term: **14 Years**

[21] Appl. No.: **5,199**

[22] Filed: **Feb. 26, 1993**

[30] **Foreign Application Priority Data**

Sep. 17, 1992 [JP] Japan ..... 15600/1992

[52] U.S. Cl. .... **D14/126**

[58] Field of Search ..... 348/825, 838; 312/7.2;  
D14/125-134

[56] **References Cited**

**U.S. PATENT DOCUMENTS**

D. 317,305 6/1991 Tanaka et al. .... D14/126

D. 317,598	6/1991	Park	.....	D14/126
D. 342,065	12/1993	Kim	.....	D14/126
D. 342,495	12/1993	Morita et al.	.....	D14/126
D. 342,497	12/1993	Saito et al.	.....	D14/126
D. 342,499	12/1992	Fujii et al.	.....	D14/126

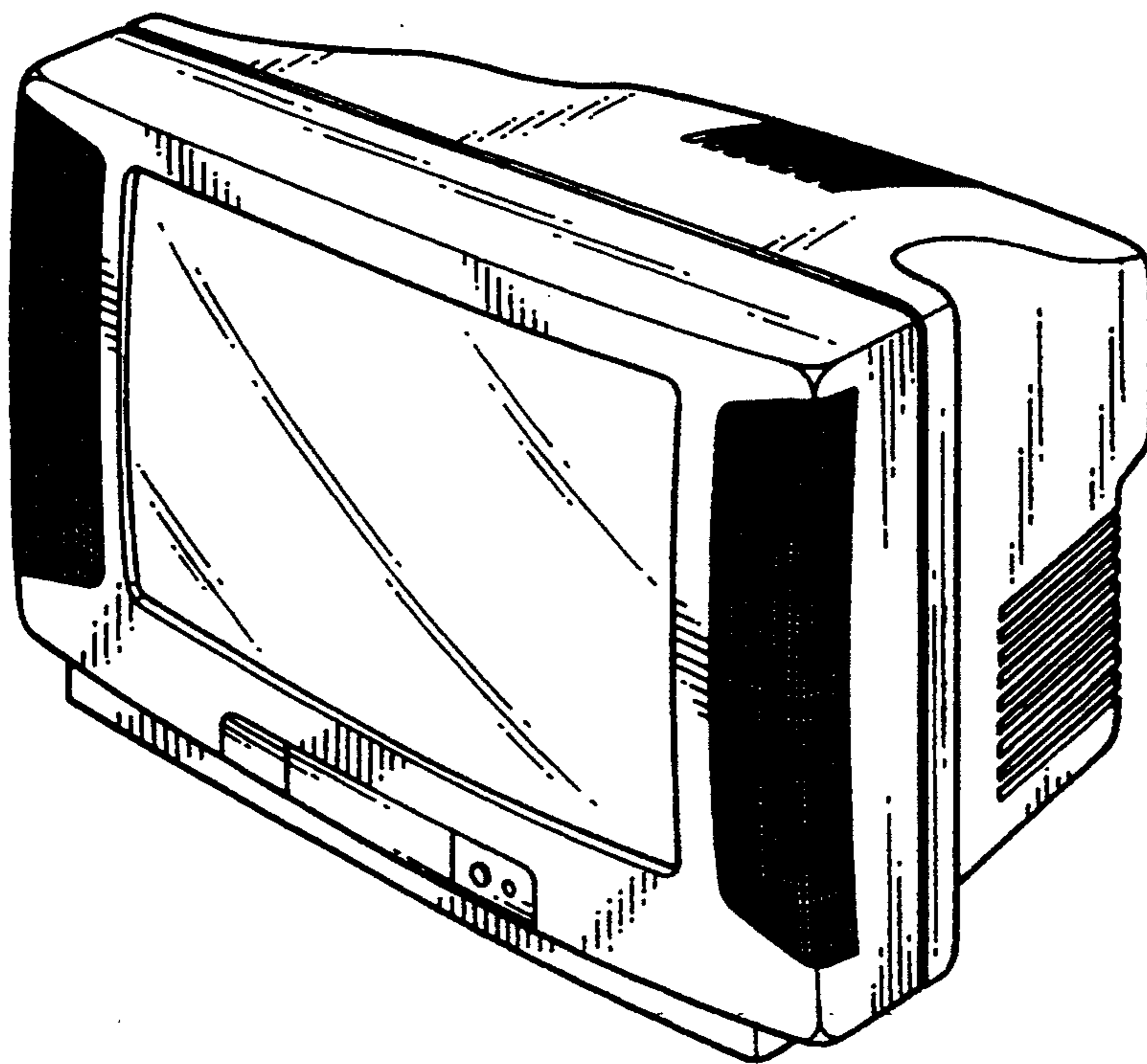
*Primary Examiner*—Theodore M. Shooman  
*Attorney, Agent, or Firm*—Thomas R. Morrison

[57] **CLAIM**

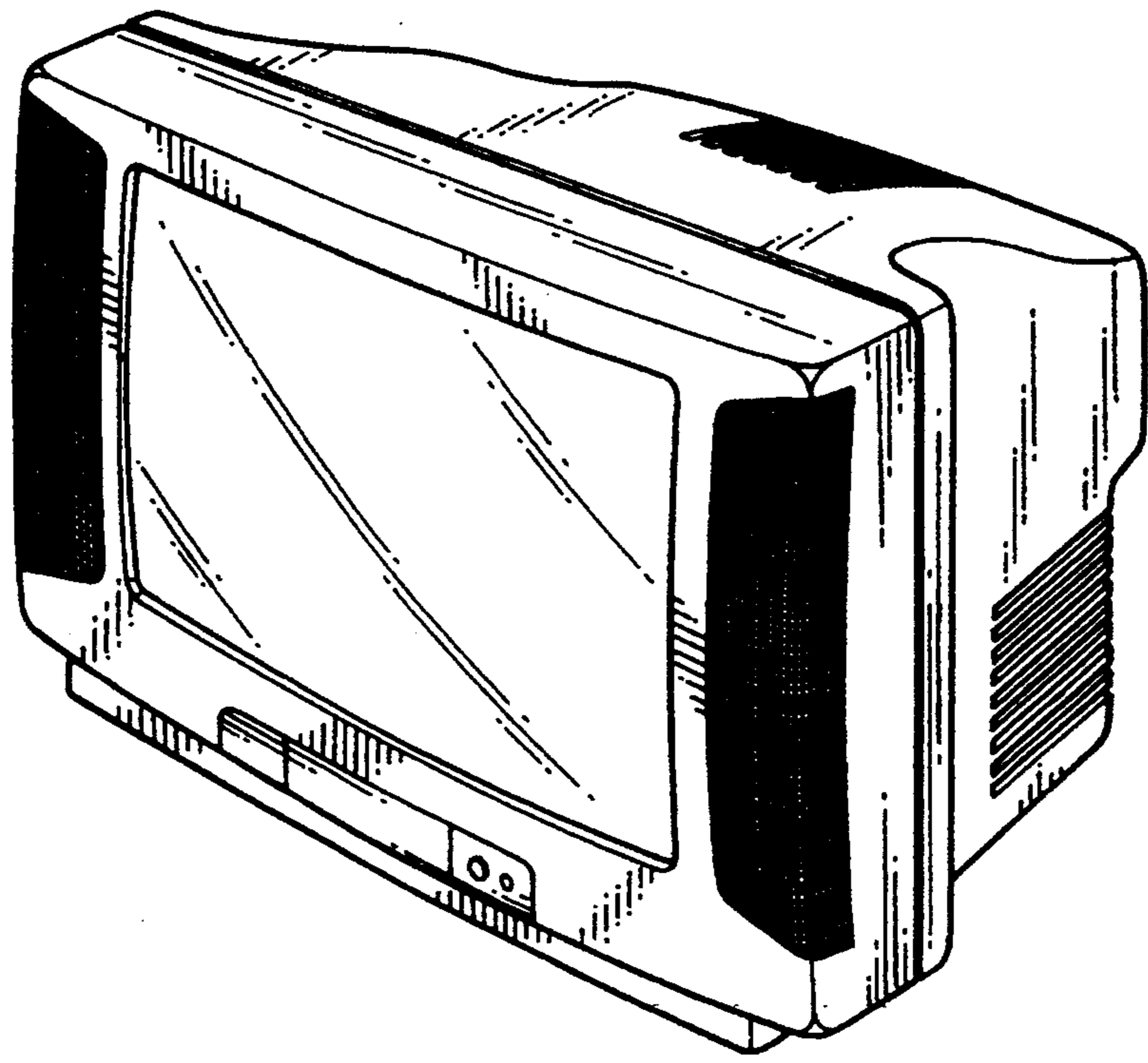
The ornamental design for a television receiver, as shown and described.

**DESCRIPTION**

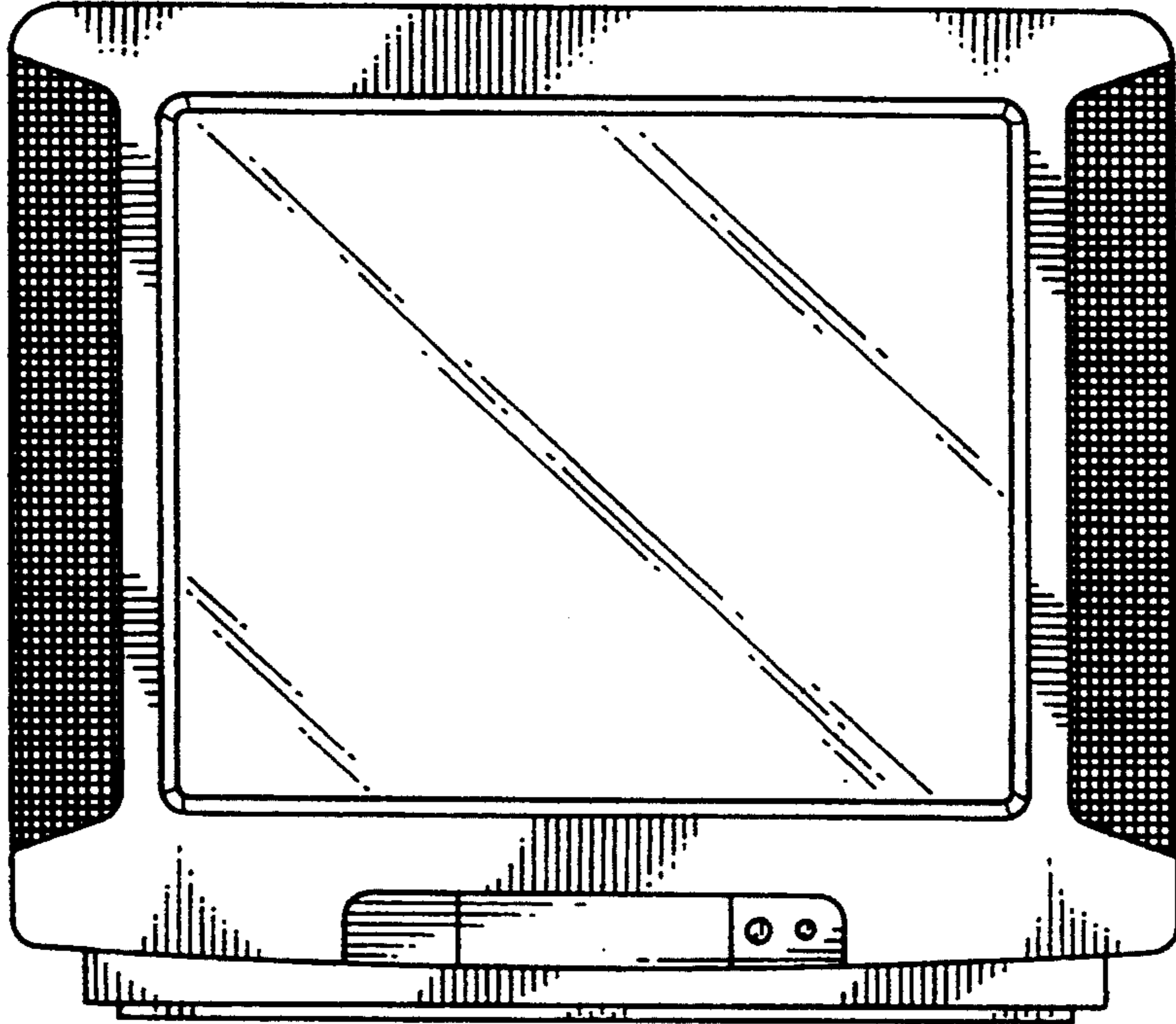
FIG. 1 is a perspective view showing my new design; FIG. 2 is a front elevational view thereof; FIG. 3 is a rear elevational view thereof; FIG. 4 is a left side elevational view thereof; FIG. 5 is a right side elevational view thereof; FIG. 6 is a top plan view thereof; and, FIG. 7 is a bottom plan view thereof.



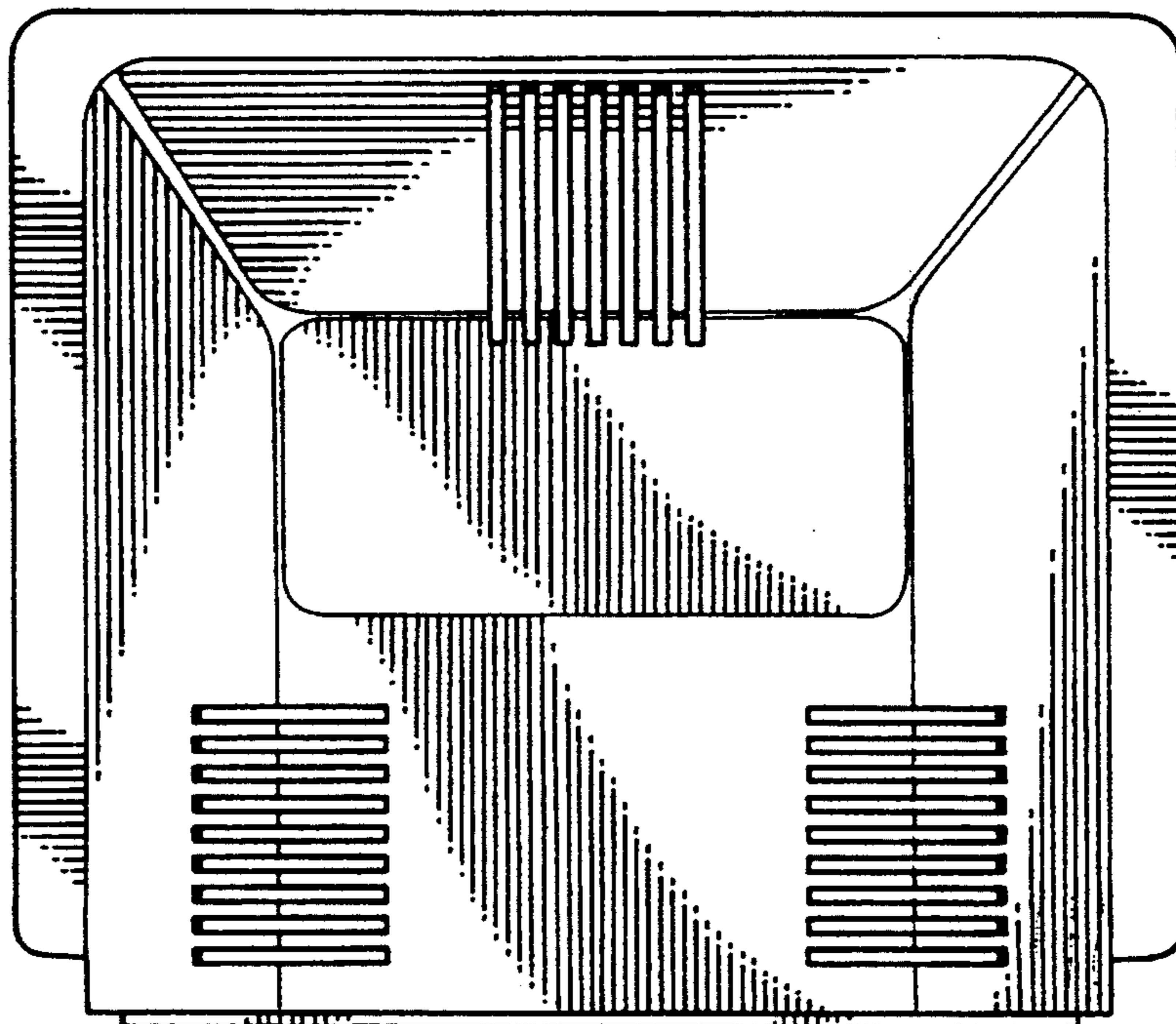
F I G. 1



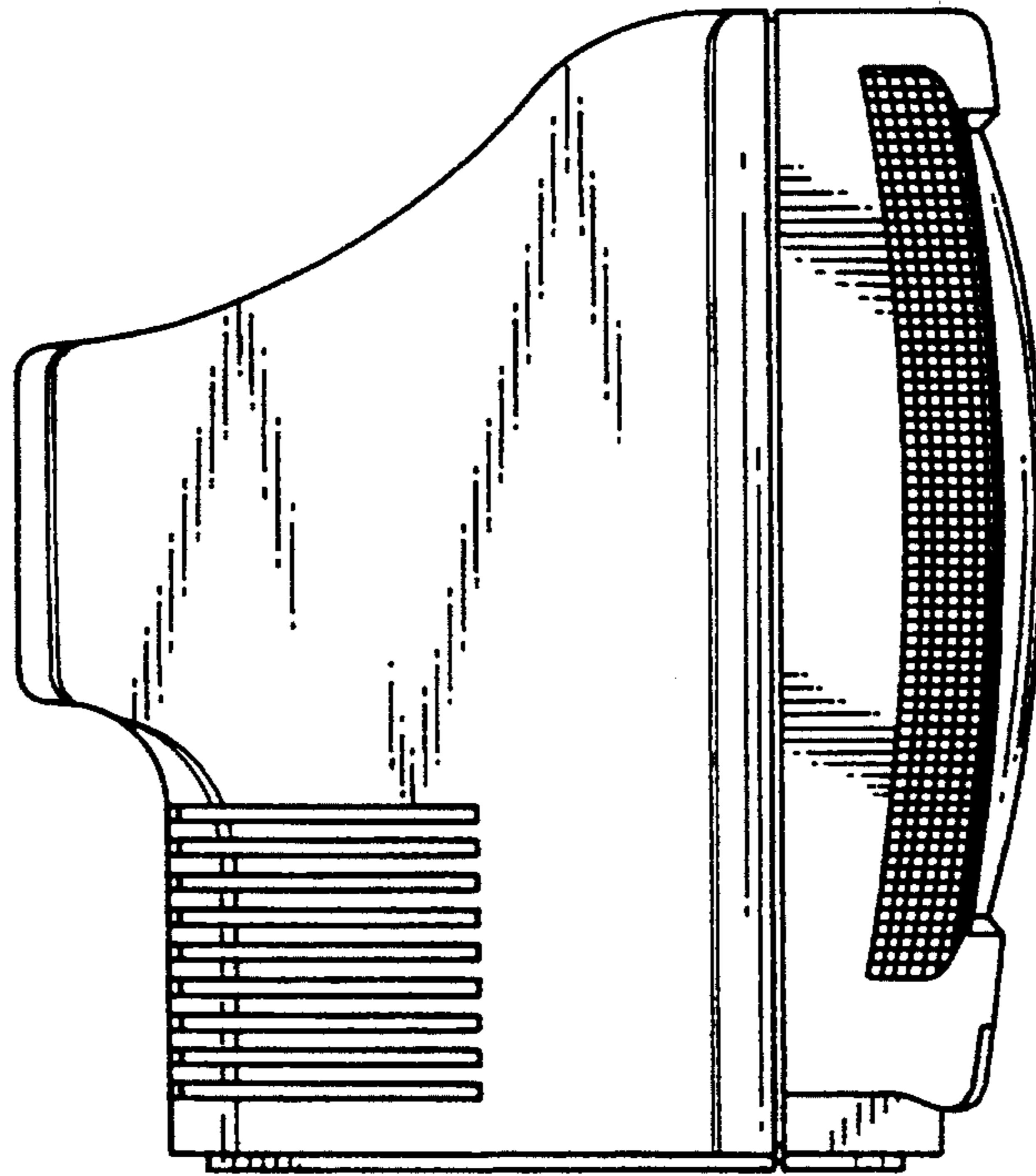
F I G . 2



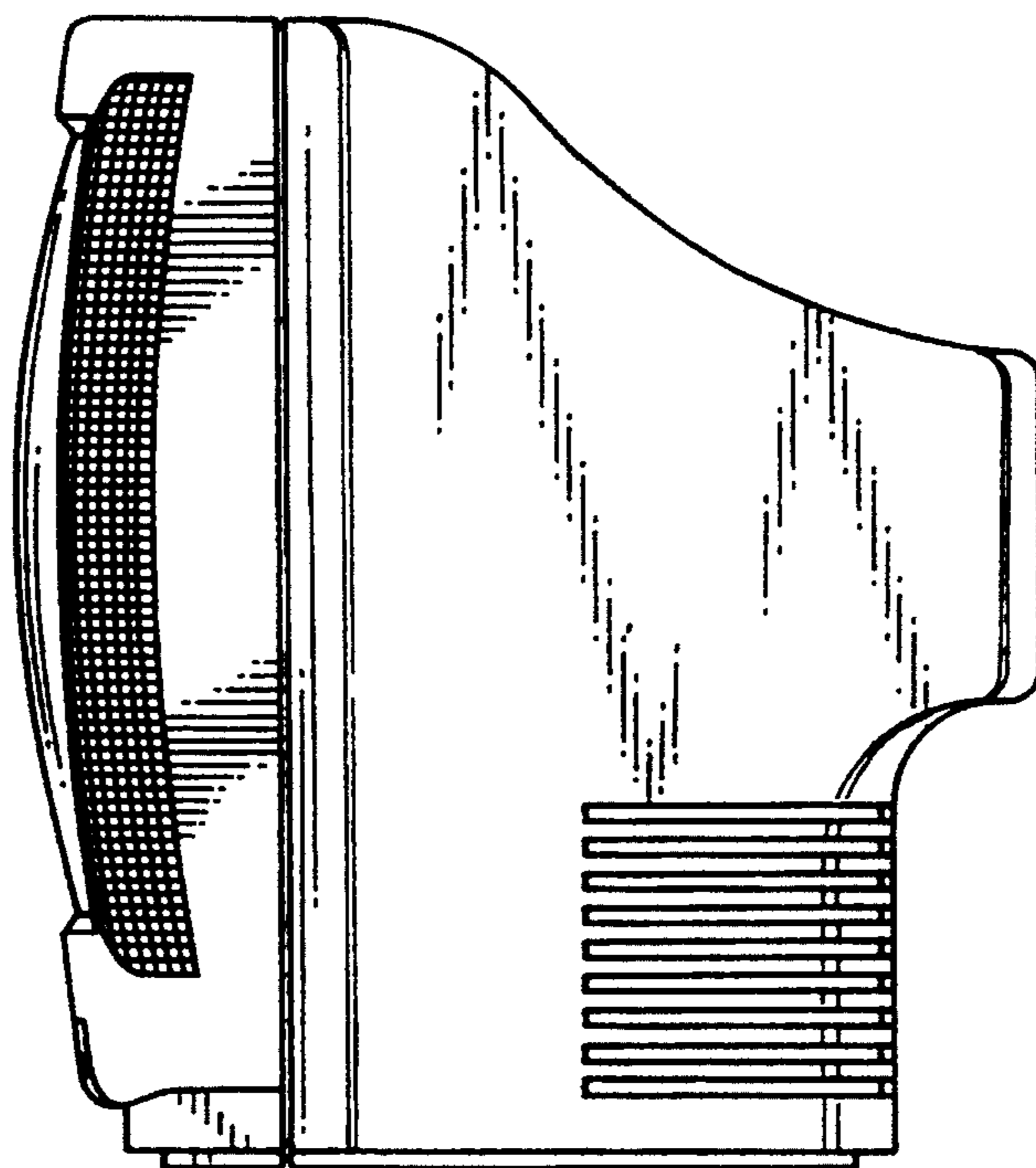
F I G . 3



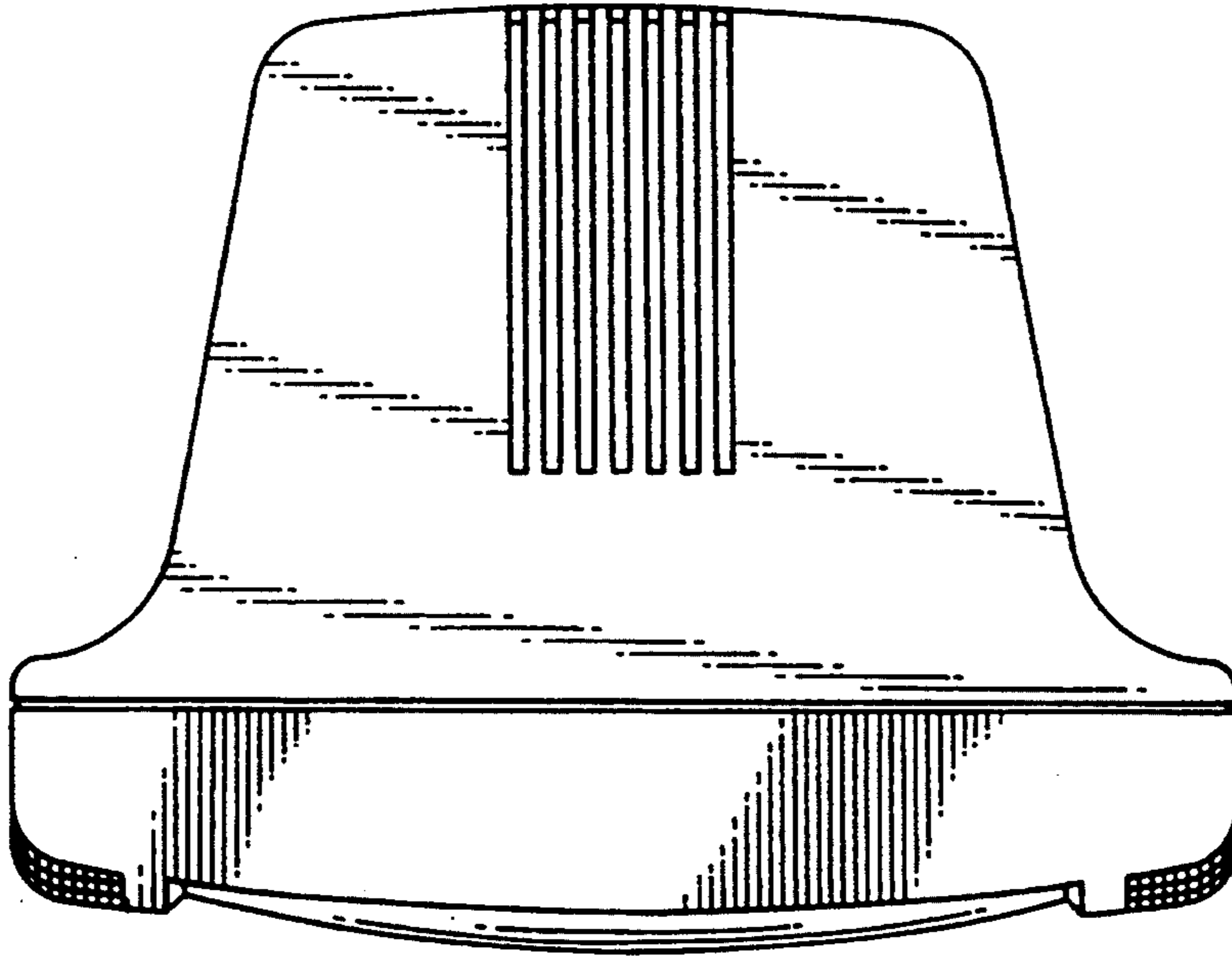
F I G . 4



F I G . 5



F I G . 6



F I G . 7

