



US00D349696S

# United States Patent [19]

[11] Patent Number: **Des. 349,696**

**Hames**

[45] Date of Patent: **\*\* Aug. 16, 1994**

- [54] **ADJUSTABLE COMPUTER STAND**
- [75] Inventor: **Edward L. Hames**, Peterborough, N.H.
- [73] Assignee: **Curtis Manufacturing Company, Inc.**, Jaffrey, N.H.
- [\*\*] Term: **14 Years**
- [21] Appl. No.: **948,854**
- [22] Filed: **Sep. 16, 1992**
- [52] U.S. Cl. .... **D14/114**
- [58] Field of Search ..... 211/23-24, 211/43; D6/449, 491, 445, 499, 474, 467; 248/125, 127, 133, 178-179, 183, 188.1, 188.2, 346, 371, 395, 917-924; 200/5 R, 5 A, 6 R, 6 A; 361/683-686, 679, 680-682; D14/100, 114; D13/184, 199

- 2,230,511 2/1991 Luttrup .
- 3,094,258 6/1963 Punke .
- 3,904,158 9/1975 Michael .
- 4,118,002 10/1978 Bartlett .
- 4,738,425 4/1988 Foster .
- 4,856,659 8/1989 Krebs .

### OTHER PUBLICATIONS

Misco® Catalog Items CPU Stand and CPU Floor Stand, p. 44, 1989.

*Primary Examiner*—Wallace R. Burke  
*Assistant Examiner*—M. H. Tung  
*Attorney, Agent, or Firm*—Richard P. Crowley

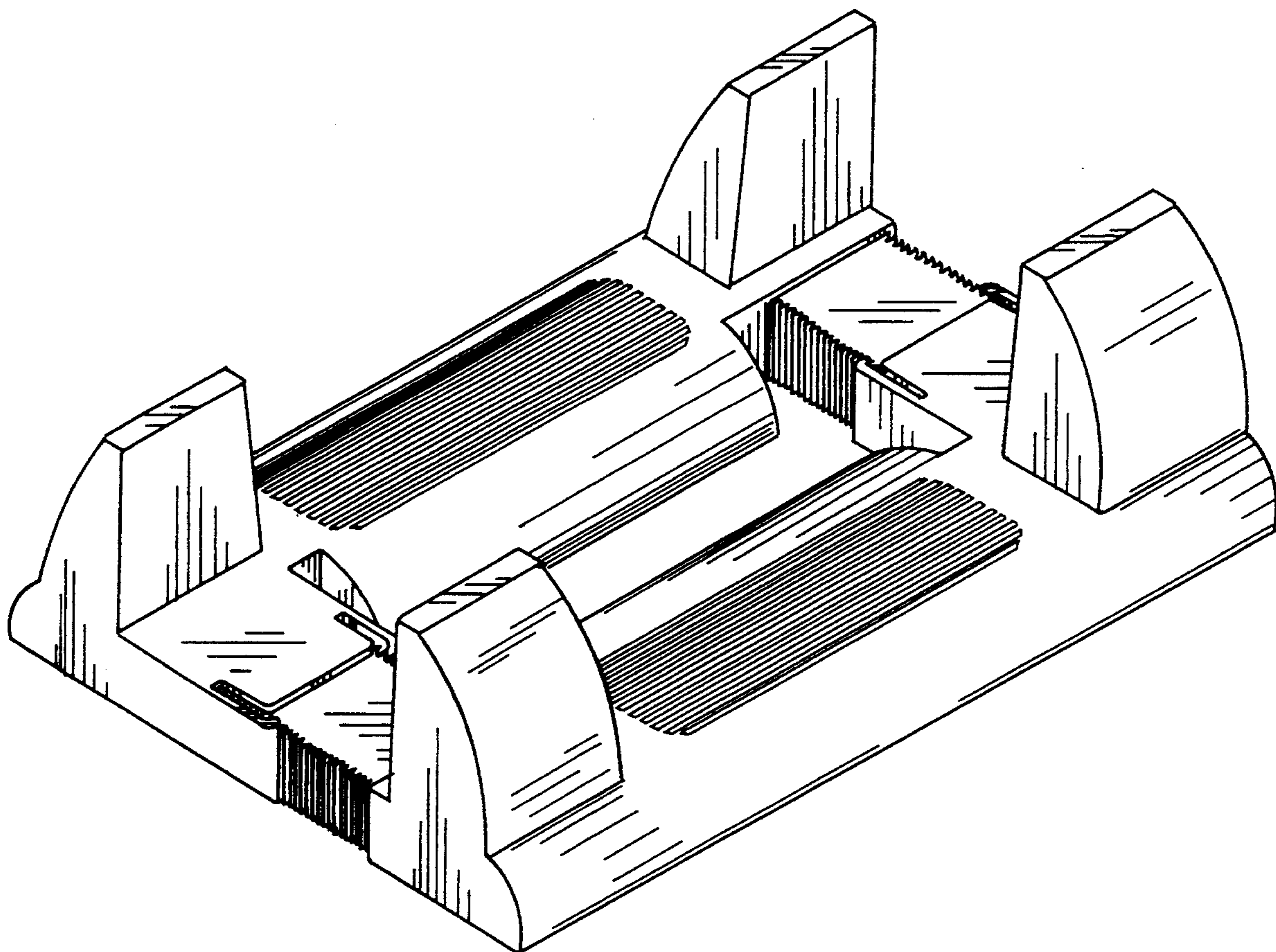
### [57] CLAIM

The ornamental design for adjustable computer stand, as shown and described.

### DESCRIPTION

FIG. 1 is a top perspective view of my design of an adjustable computer stand;  
FIG. 2 is a top plan view of the design of FIG. 1;  
FIG. 3 is a bottom plan view of the design of FIG. 1;  
FIG. 4 is a side elevational view, the opposite side is identical; and,  
FIG. 5 is a front elevational view, the rear view is identical.

- [56] **References Cited**
- U.S. PATENT DOCUMENTS**
- D. 287,365 12/1986 Judd ..... D6/449 X
- D. 287,371 12/1986 Bekooy ..... D14/114 X
- D. 311,001 10/1990 Hassel et al. .... D14/114
- D. 330,021 10/1992 Kline et al. .... D14/114
- D. 334,184 3/1993 Weaver et al. .... D14/114
- D. 341,280 11/1993 Garmon ..... D6/491 X



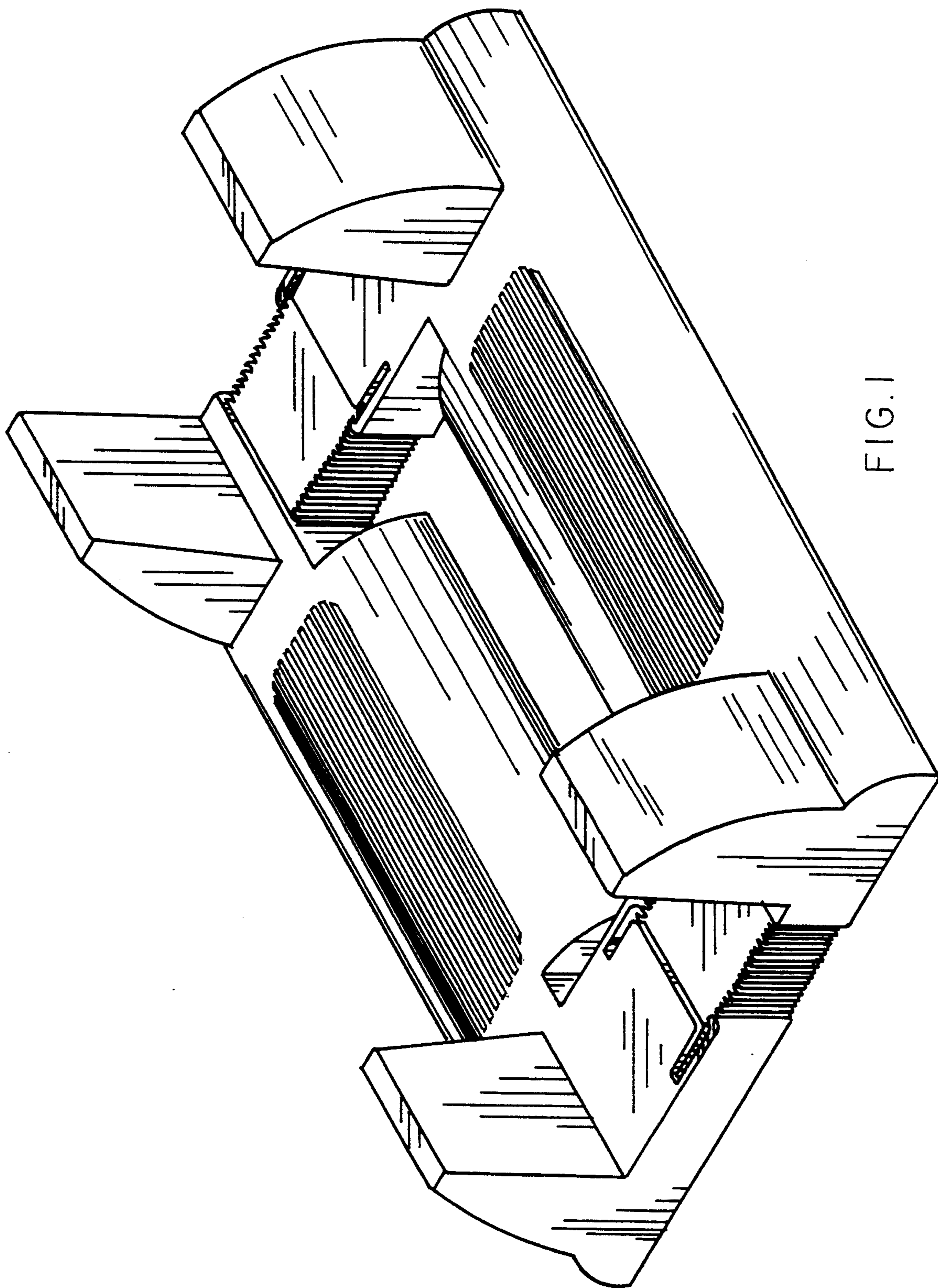


FIG. 1

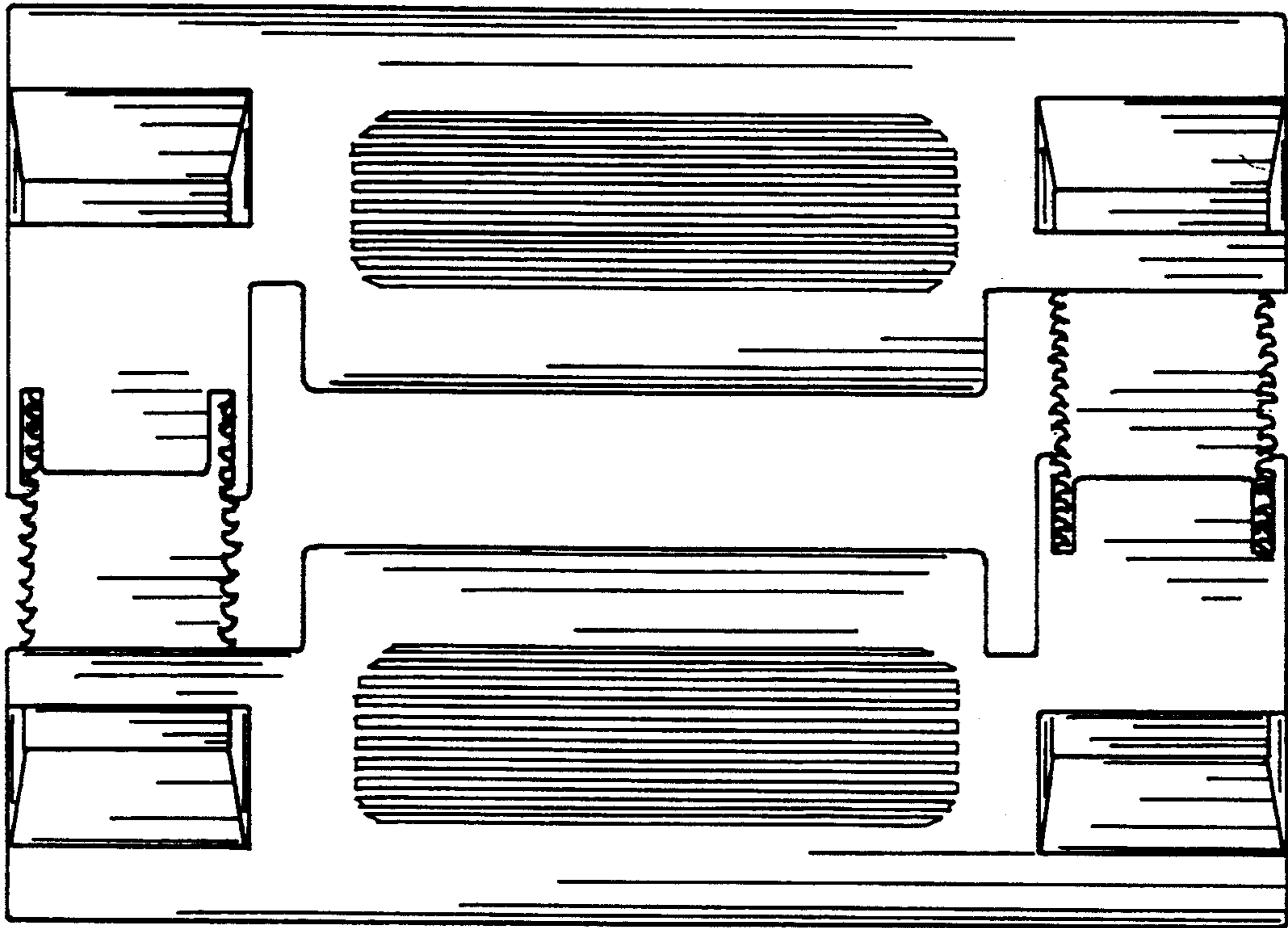


FIG. 2

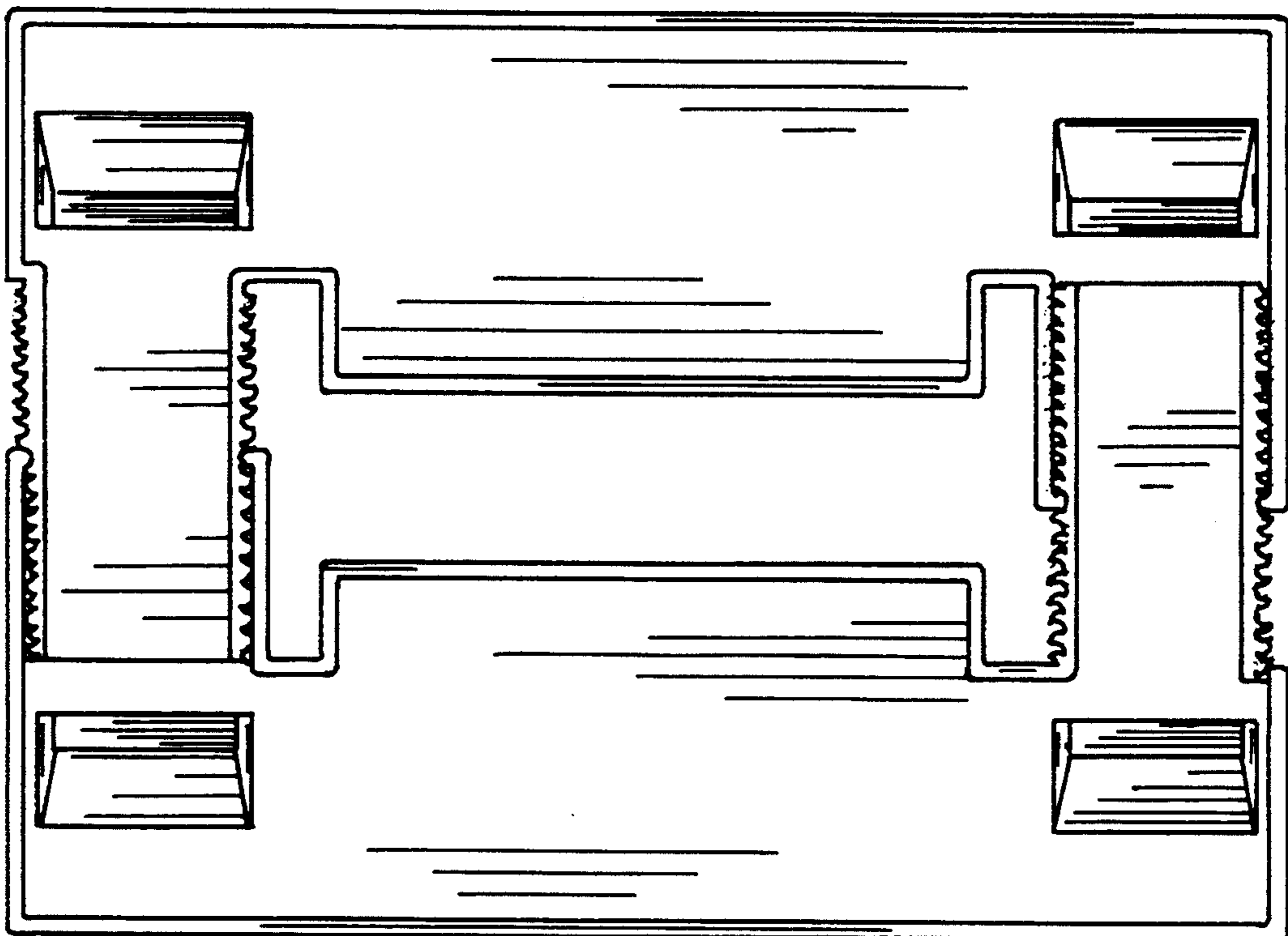


FIG. 3

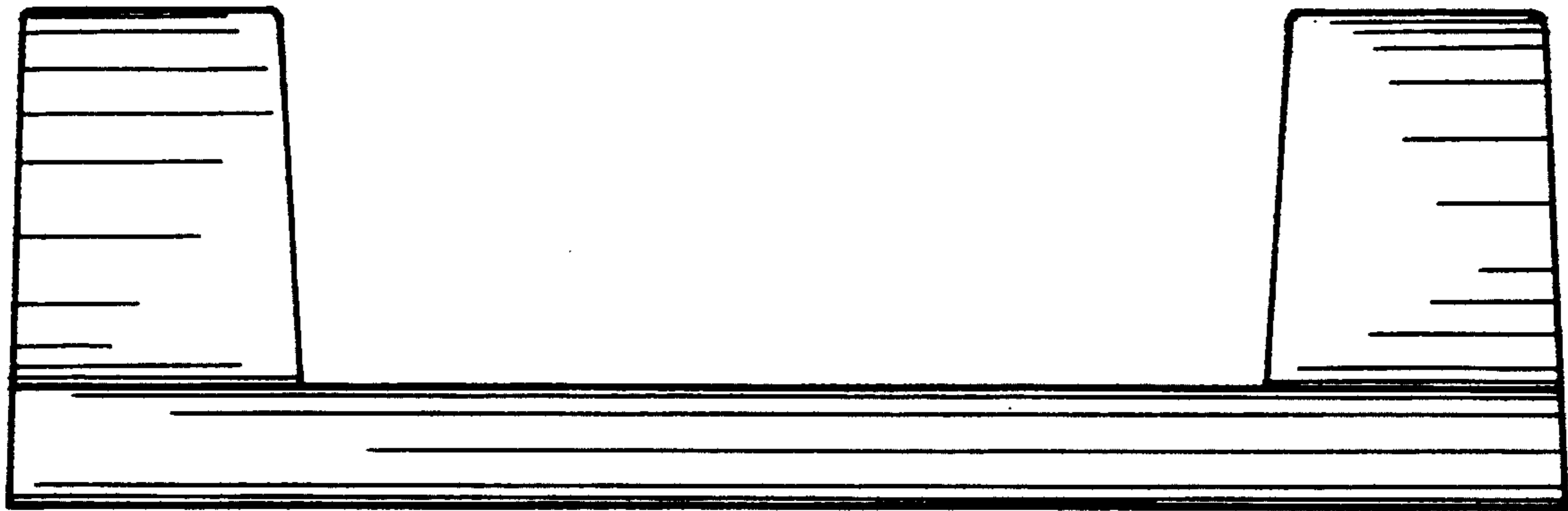


FIG. 4

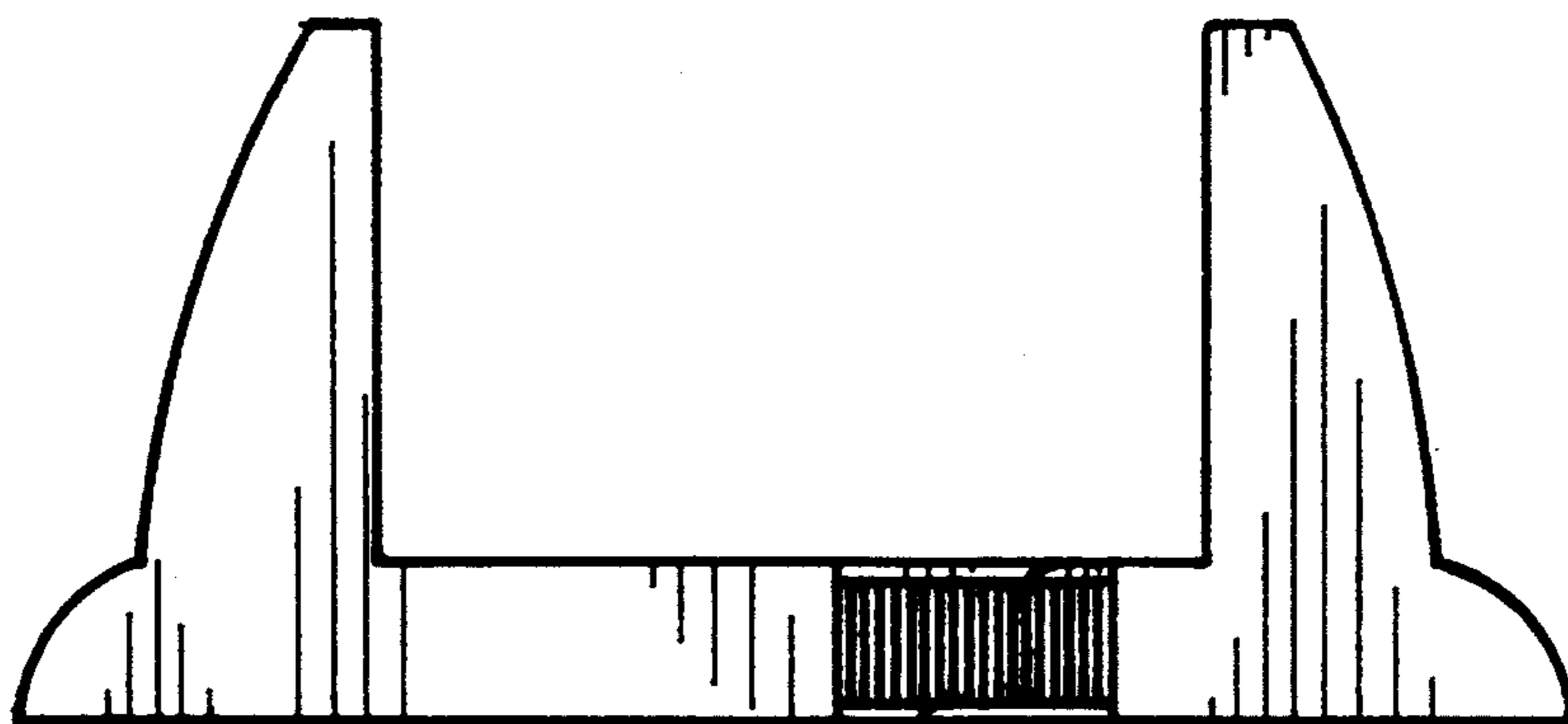


FIG. 5