



US00D349694S

United States Patent [19] Takimoto

[11] Patent Number: **Des. 349,694**
[45] Date of Patent: **** Aug. 16, 1994**

[54] PORTABLE COMPUTER

[75] Inventor: **Shingo Takimoto, Kyoto, Japan**
[73] Assignee: **Shimadzu Corporation, Kyoto, Japan**
[**] Term: **14 Years**
[21] Appl. No.: **919,130**
[22] Filed: **Jul. 27, 1992**

[30] Foreign Application Priority Data

Feb. 27, 1992 [JP] Japan 4-5524
[52] U.S. Cl. **D14/106**
[58] Field of Search 235/145 A, 145 R;
340/700, 706; 341/22, 23; 361/390, 395;
364/708, 709.04; 400/486, 489; D14/100, 101,
106, 113, 115; D18/1, 7, 11, 12

[56] References Cited

U.S. PATENT DOCUMENTS

D. 311,741 10/1990 Sakai D14/106
D. 334,567 4/1993 Someya et al. D14/106 X
D. 335,123 4/1993 Smiley D14/106
5,034,858 7/1991 Kawamoto et al. D14/106 X

FOREIGN PATENT DOCUMENTS

97355 12/1989 Japan D14/o et al.

Primary Examiner—Wallace R. Burke
Assistant Examiner—Freda S. Nunn
Attorney, Agent, or Firm—Wegner, Cantor, Mueller & Player

[57] CLAIM

The ornamental design for a portable computer, as shown and described.

DESCRIPTION

FIG. 1 is a reduced top front and right side perspective view of a portable computer showing my new design; FIG. 2 is a back view thereof; FIG. 3 is a front view thereof; FIG. 4 is a left side view thereof; FIG. 5 is a right side view thereof; FIG. 6 is a bottom plan view thereof; FIG. 7 is a top plan view thereof; FIG. 8 is a reduced top front and right side perspective view thereof with the display panel in the closed position; FIG. 9 is a back view thereof; FIG. 10 is a left side view thereof; FIG. 11 is a front view thereof; FIG. 12 is a right side view thereof; FIG. 13 is a bottom plan view thereof; FIG. 14 is a top plan view thereof; FIG. 15 is a reduced top front and right side perspective view thereof with the display panel mounted at the front of the computer; FIG. 16 is a back view thereof; FIG. 17 is a front view thereof; FIG. 18 is a left side view thereof; FIG. 19 is a right side view thereof; FIG. 20 is a bottom plan view thereof; FIG. 21 is a top plan view thereof; FIG. 22 is a reduced top front and right side perspective view thereof as shown in FIG. 15 with the display panel in the closed position; FIG. 23 is a rear view thereof; FIG. 24 is a left side view thereof; FIG. 25 is a front view thereof; FIG. 26 is a right side view thereof; FIG. 27 is a bottom plan view thereof; FIG. 28 is a top plan view thereof; and, FIG. 29 is a reduced top front and right side perspective view thereof with the side panels in the opened position the left side view is a mirror image.

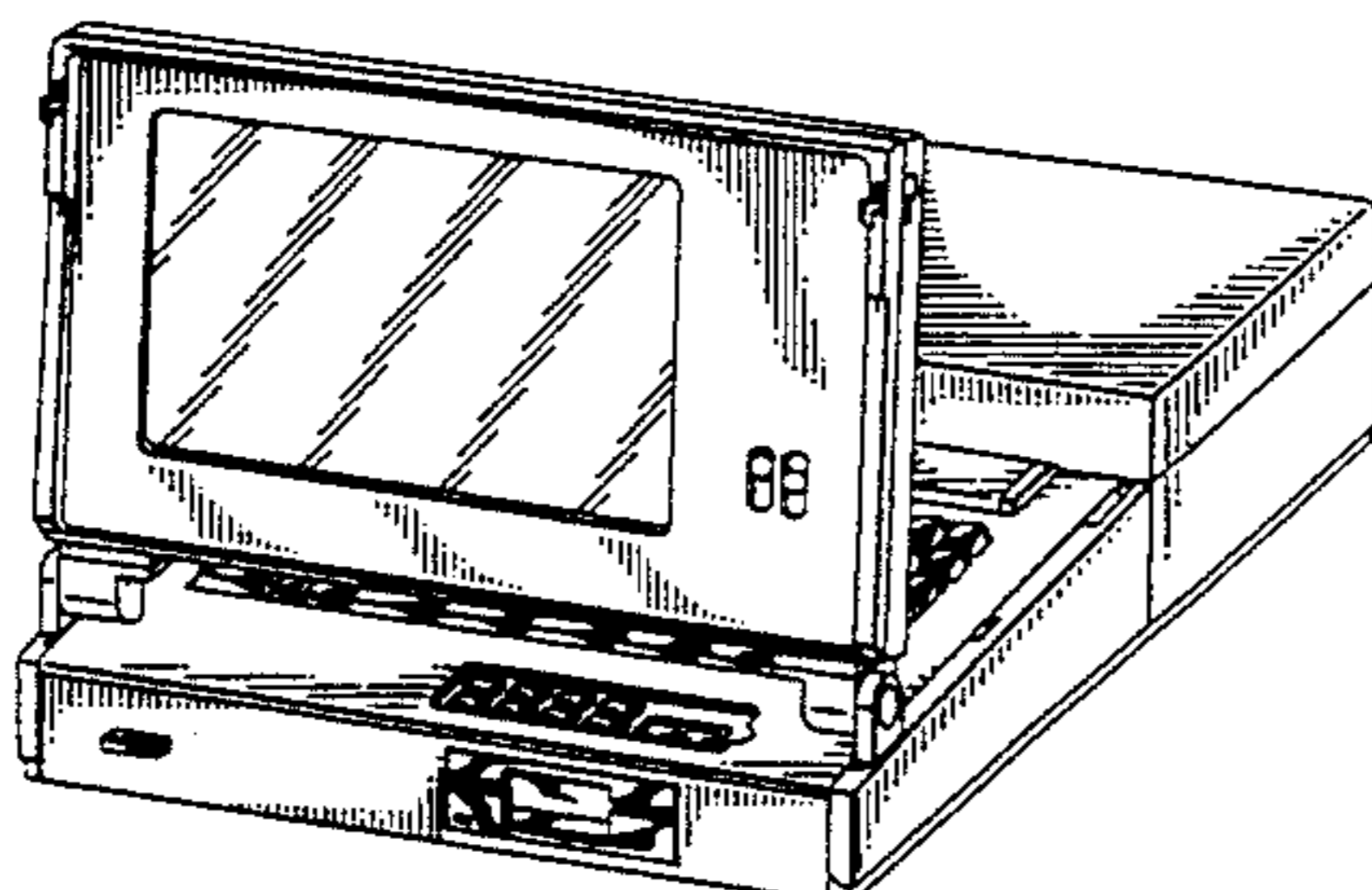
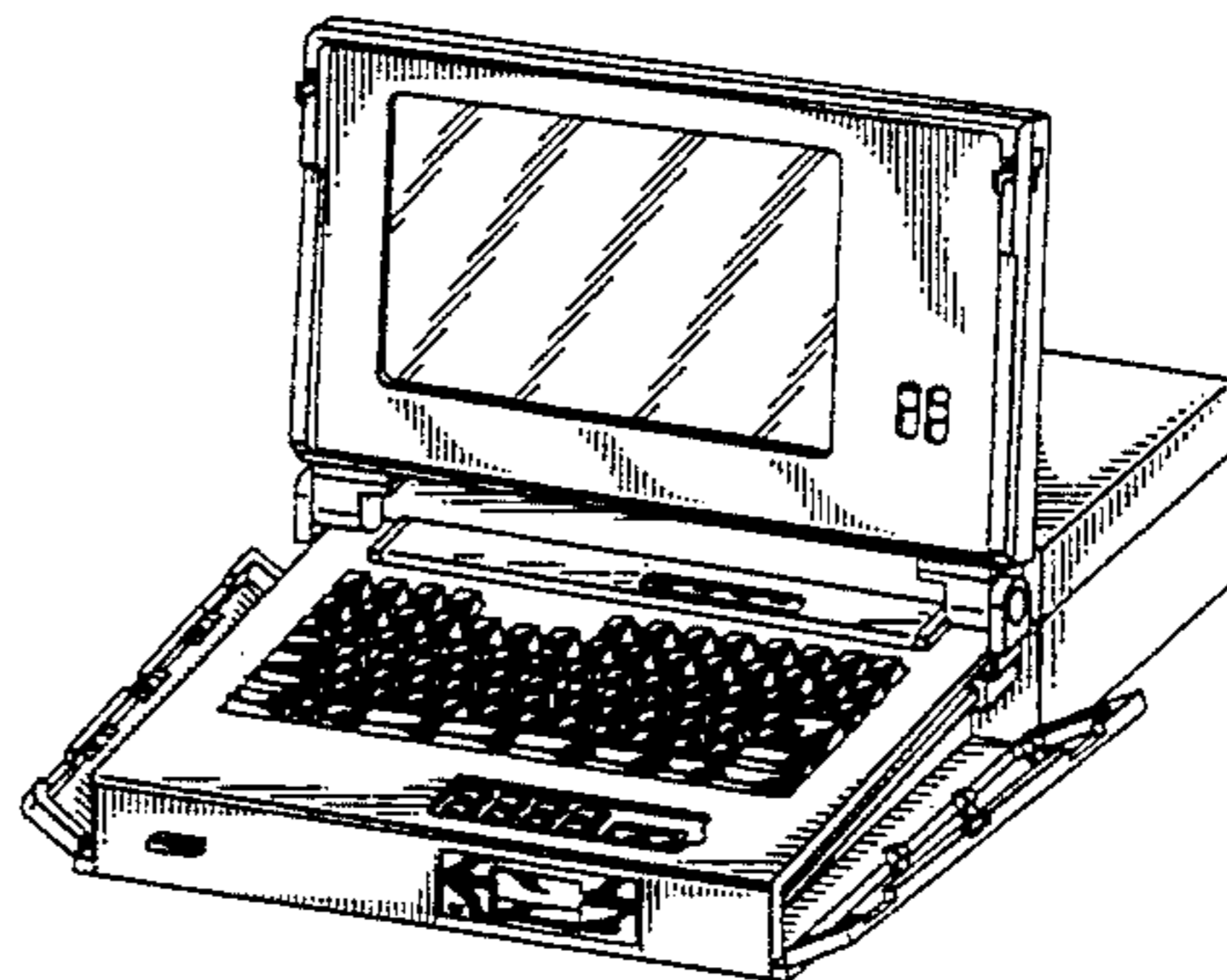
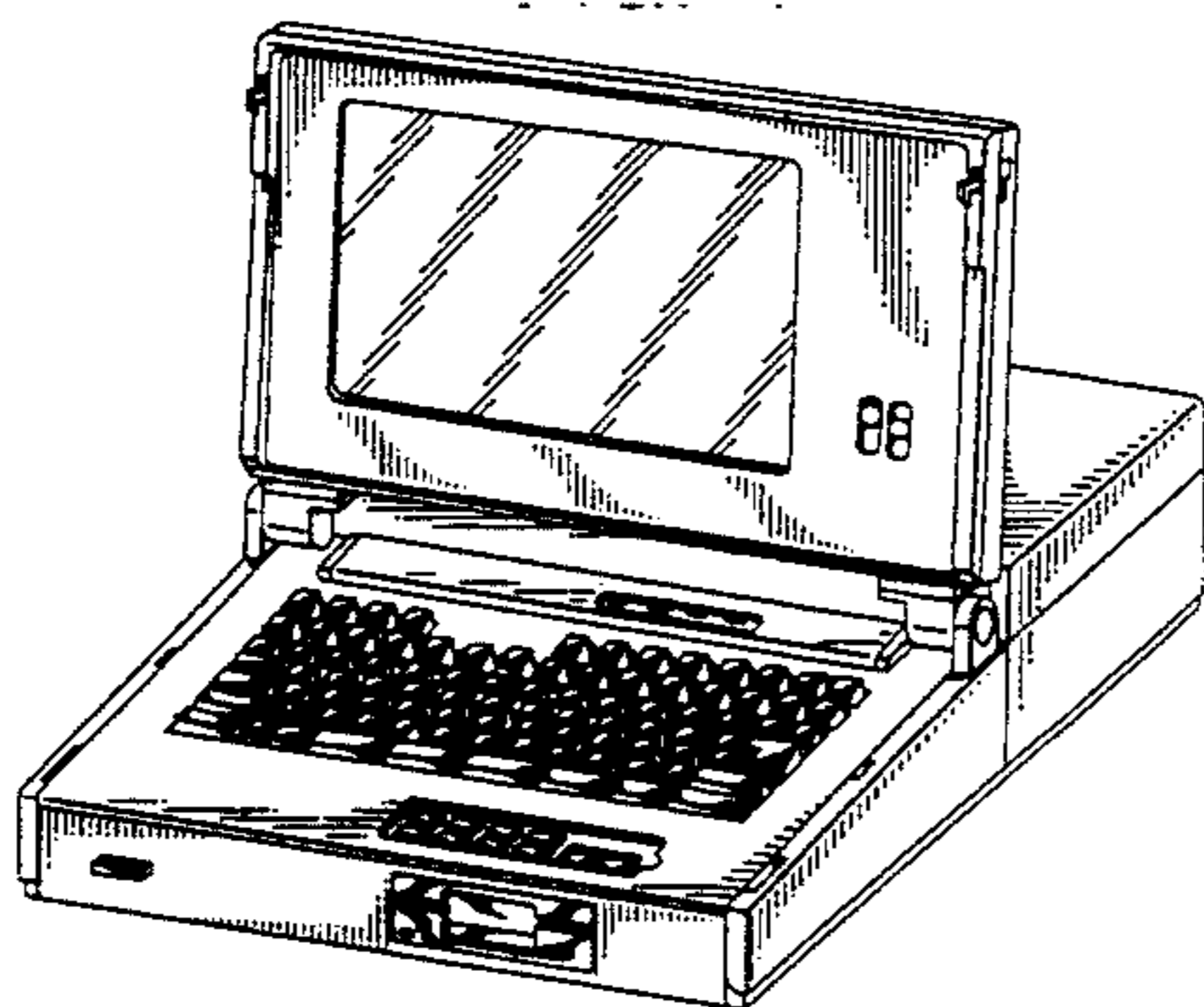


FIG. 1

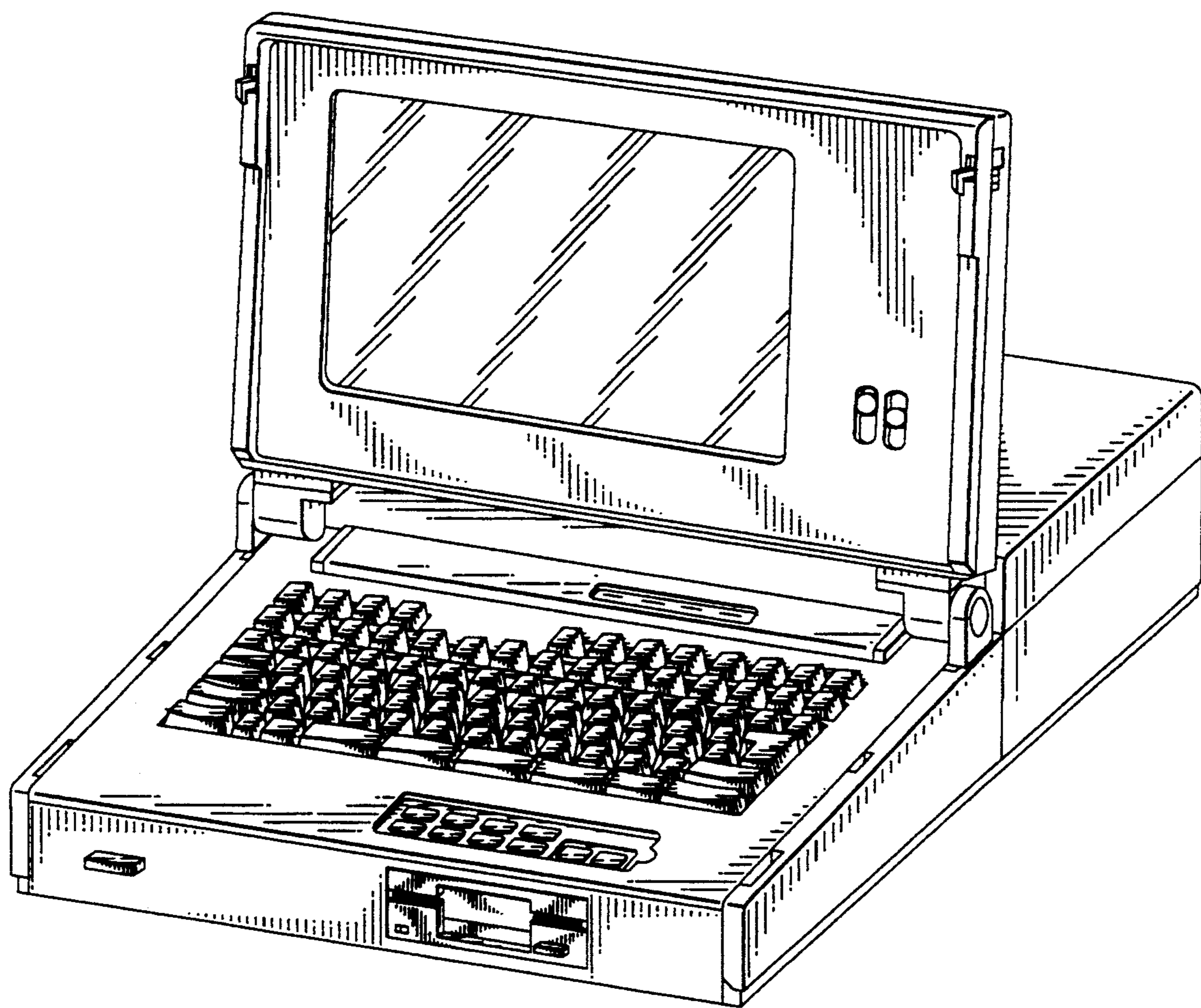


FIG. 2

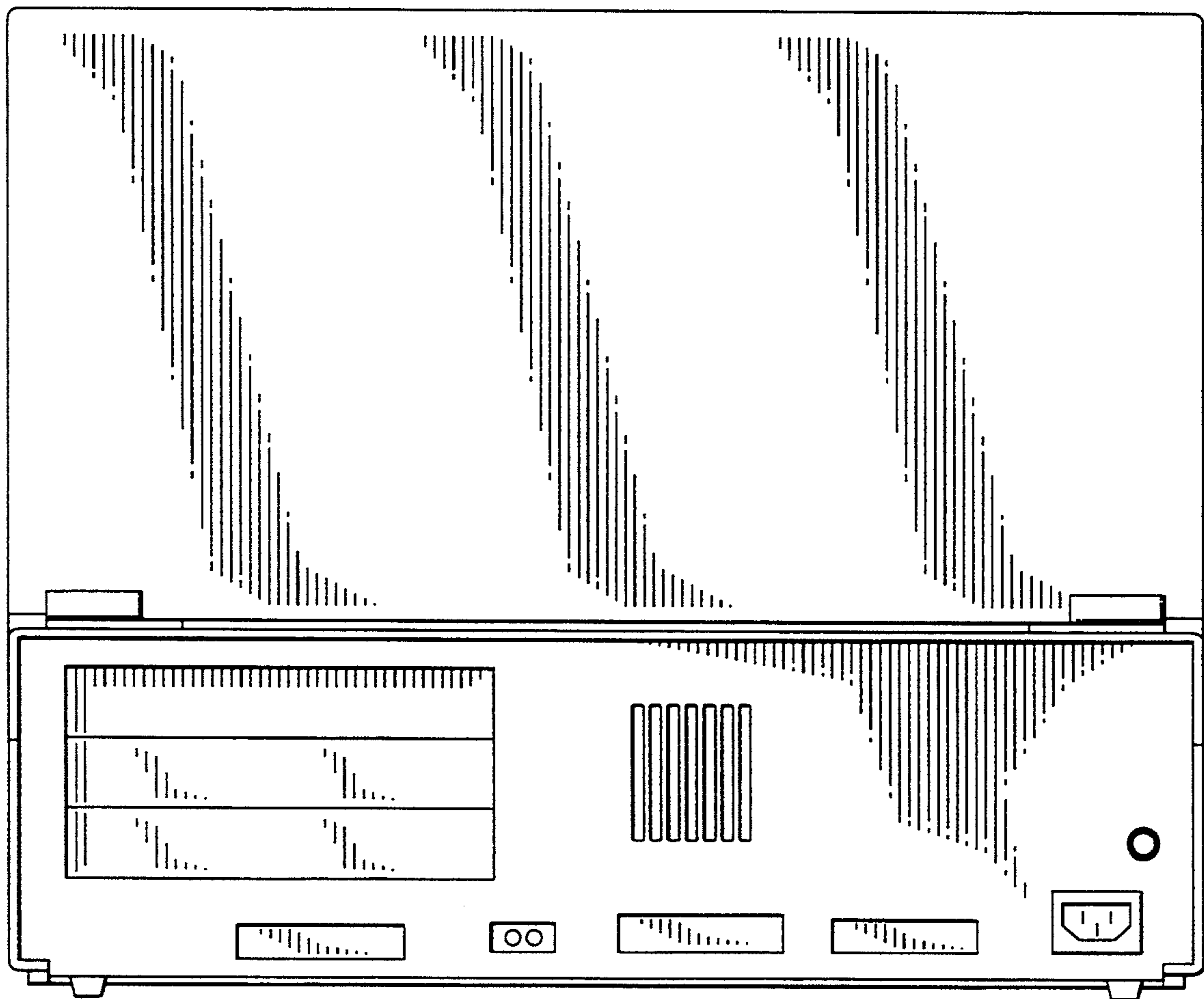


FIG. 3

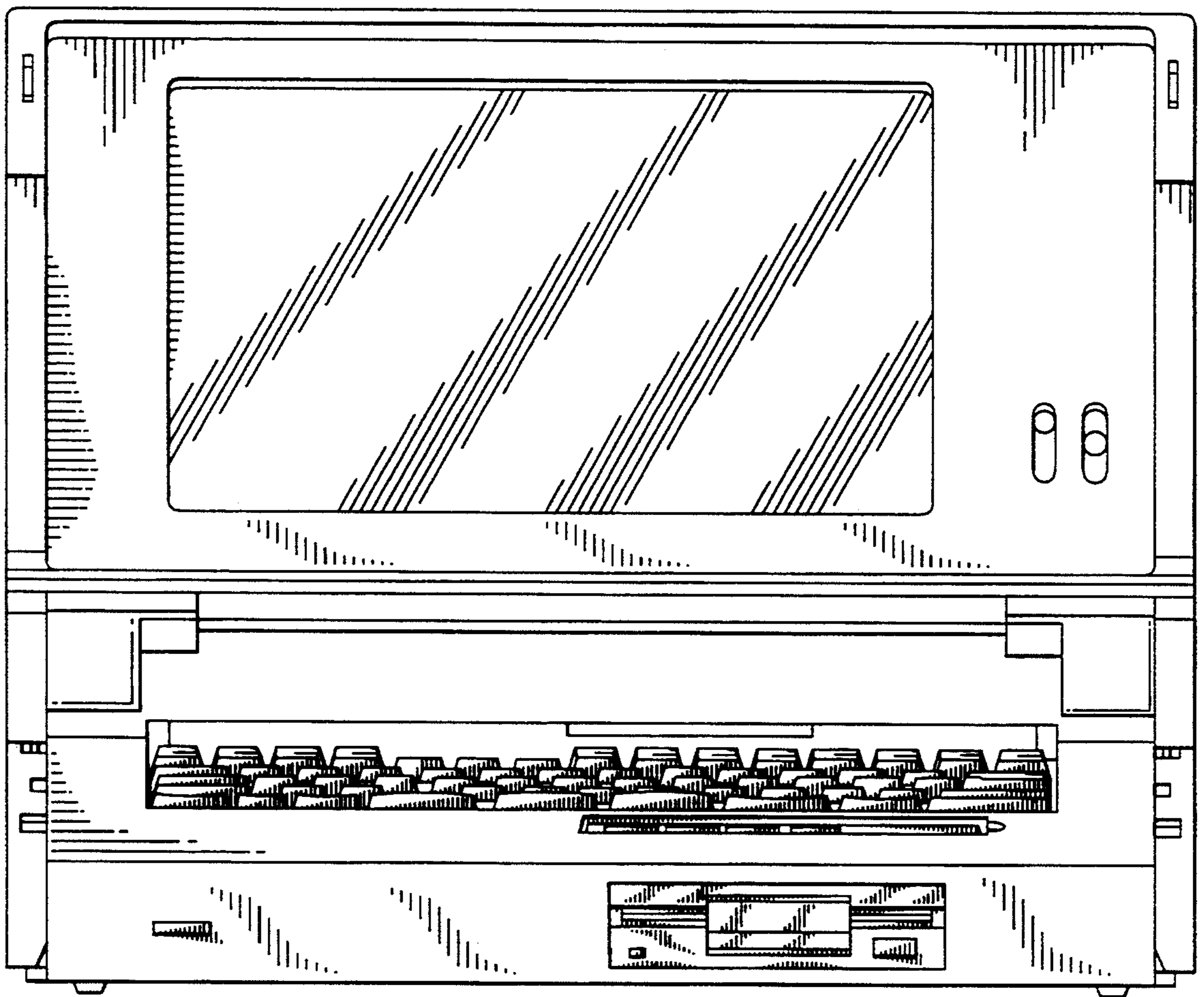


FIG. 4

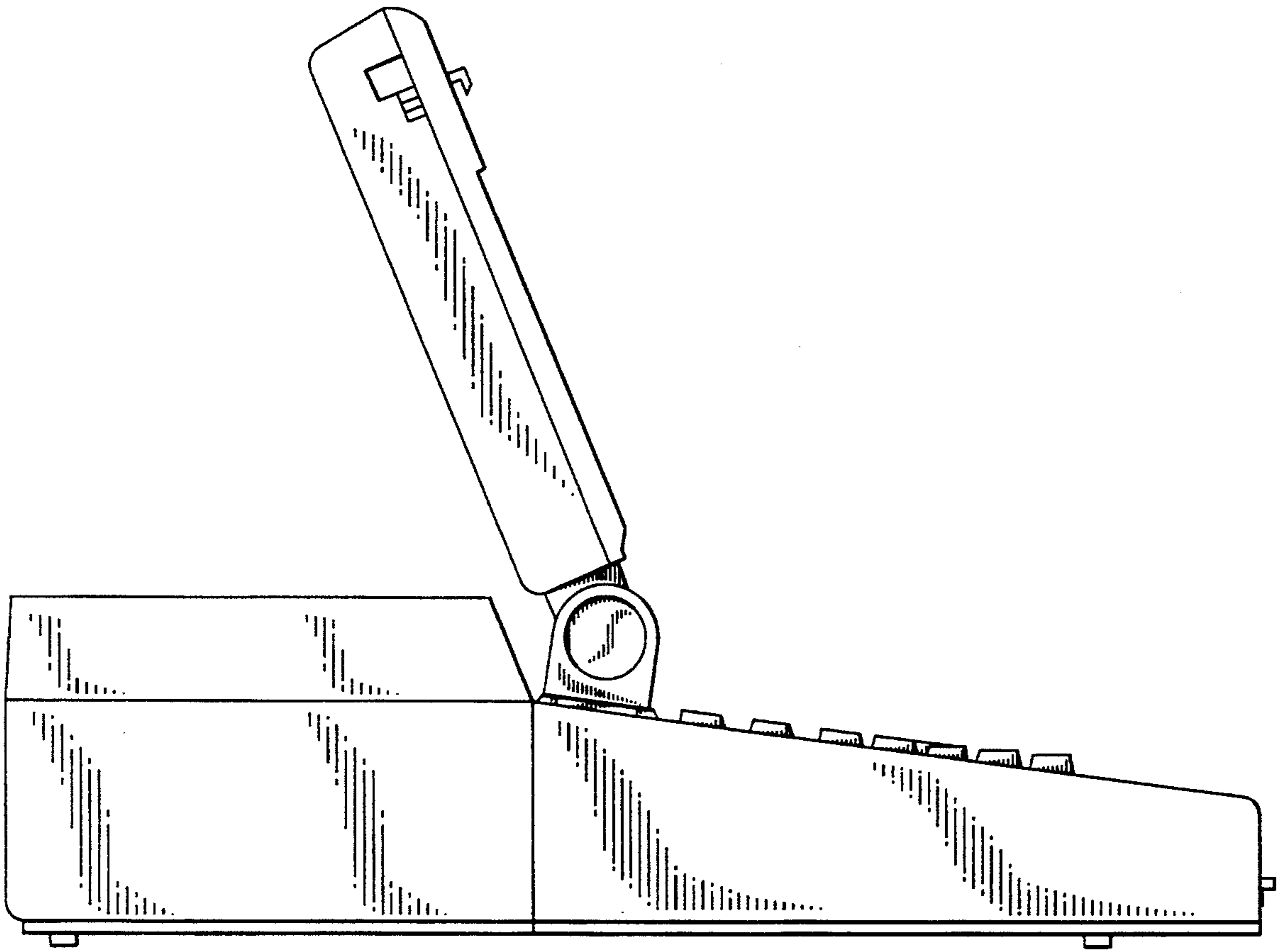


FIG. 5

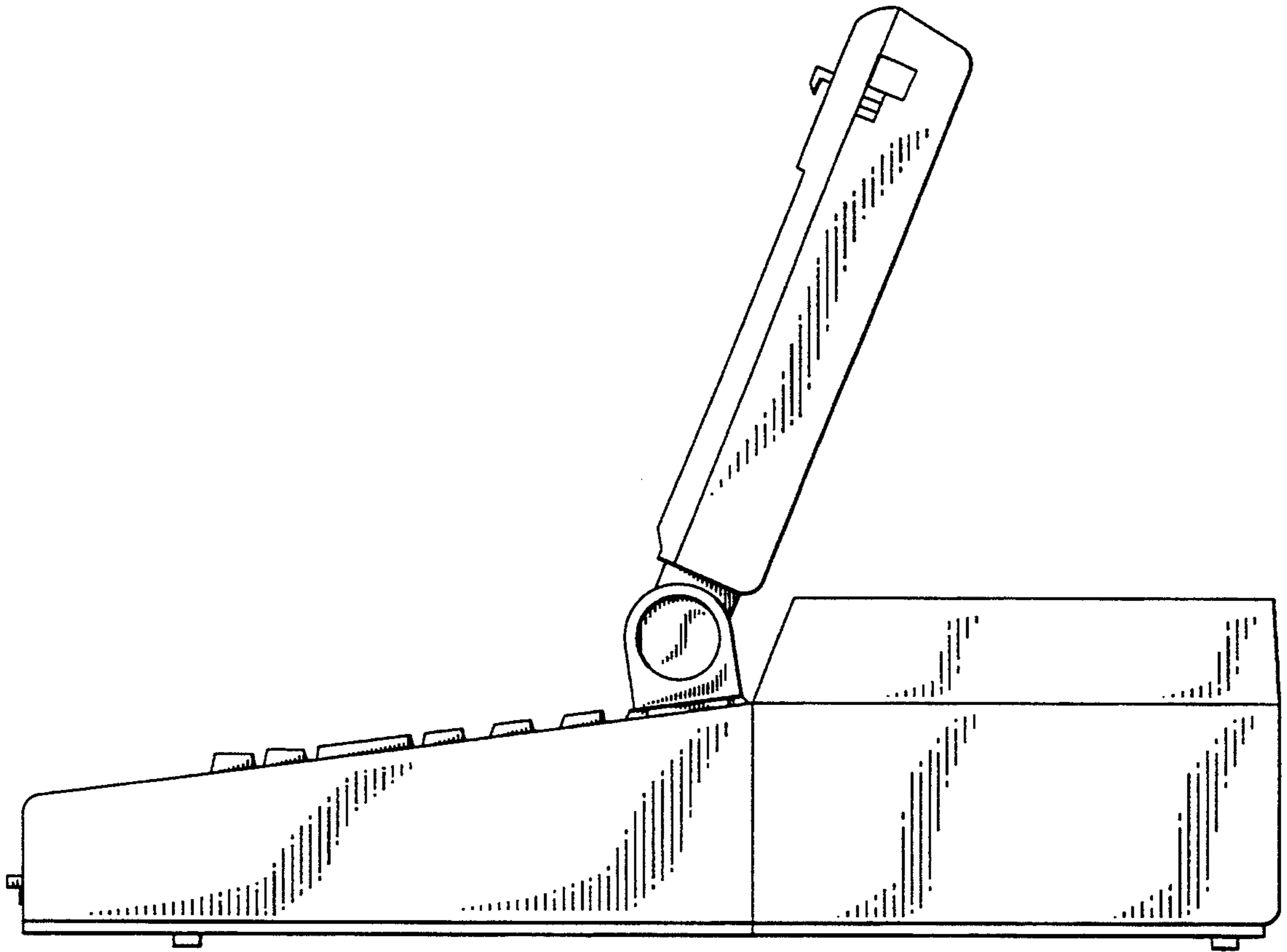


FIG. 6

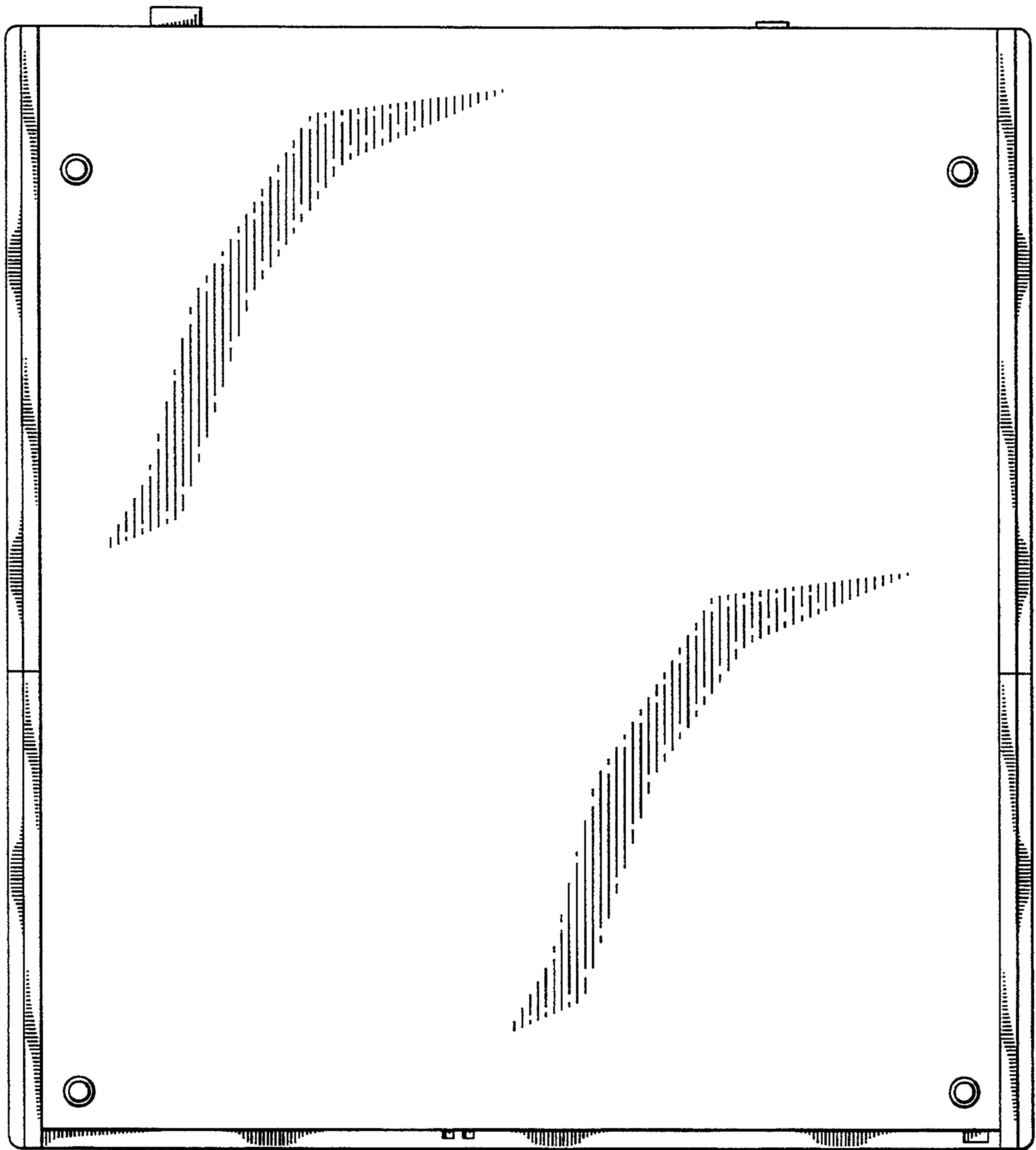


FIG. 7

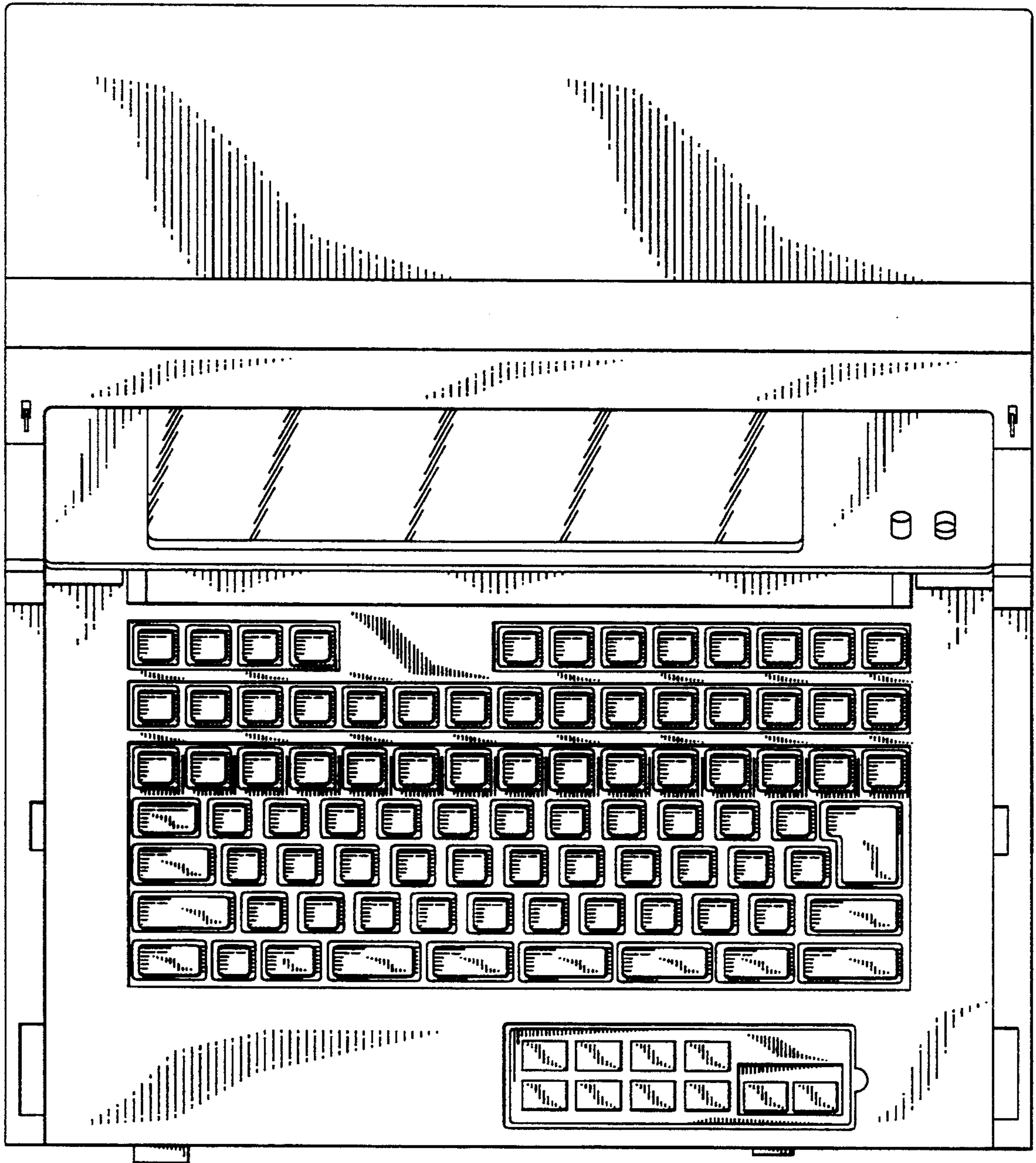


FIG. 8

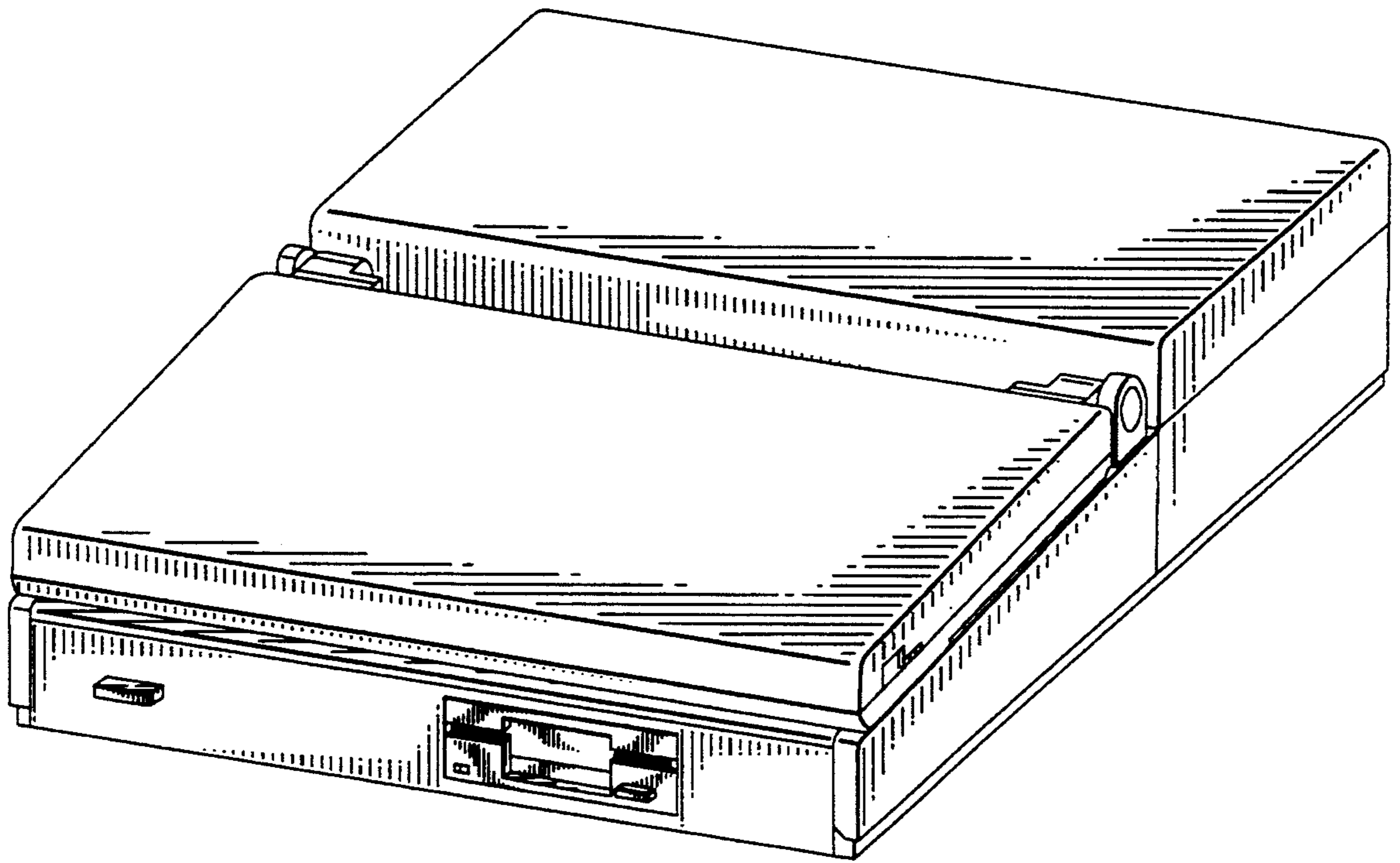


FIG. 9

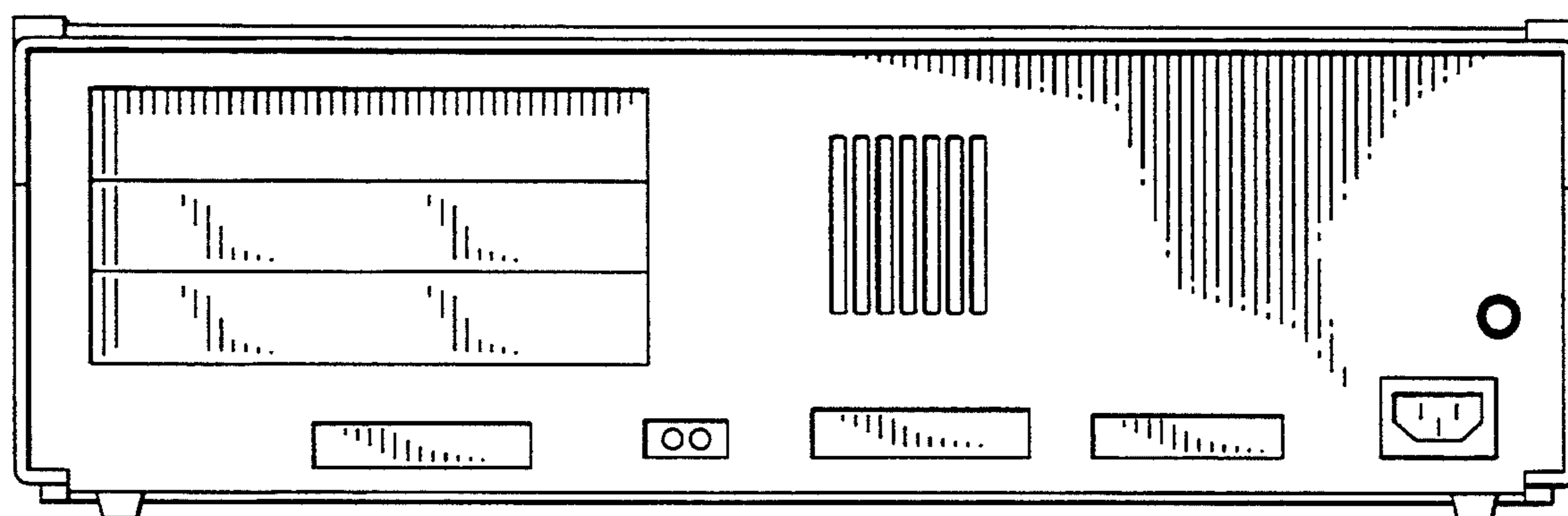


FIG. 10

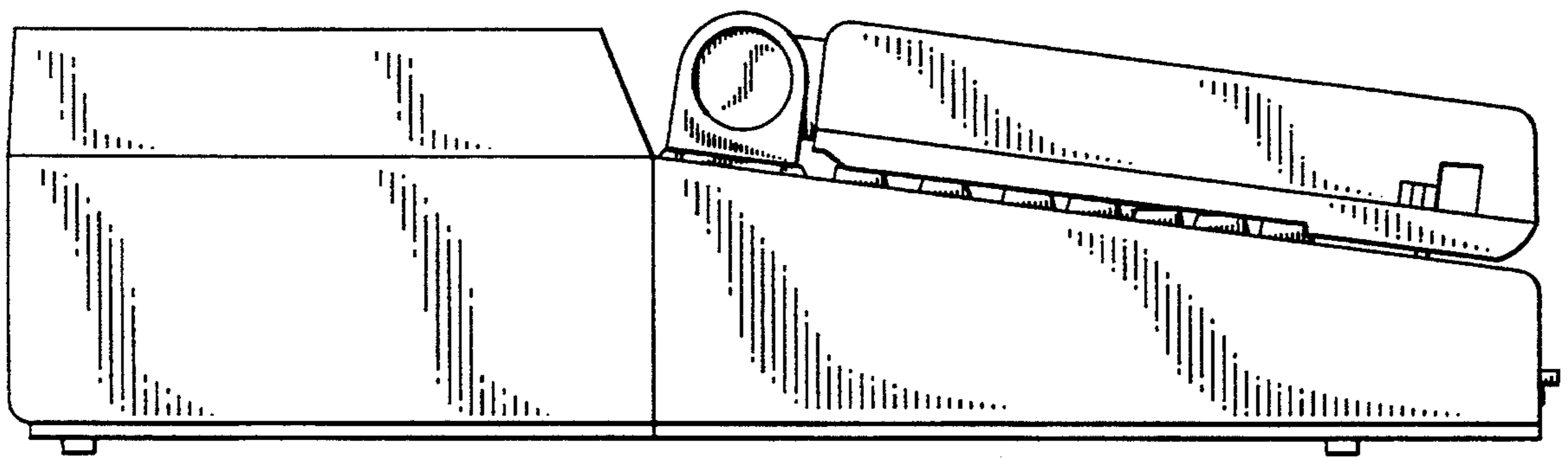


FIG. 11

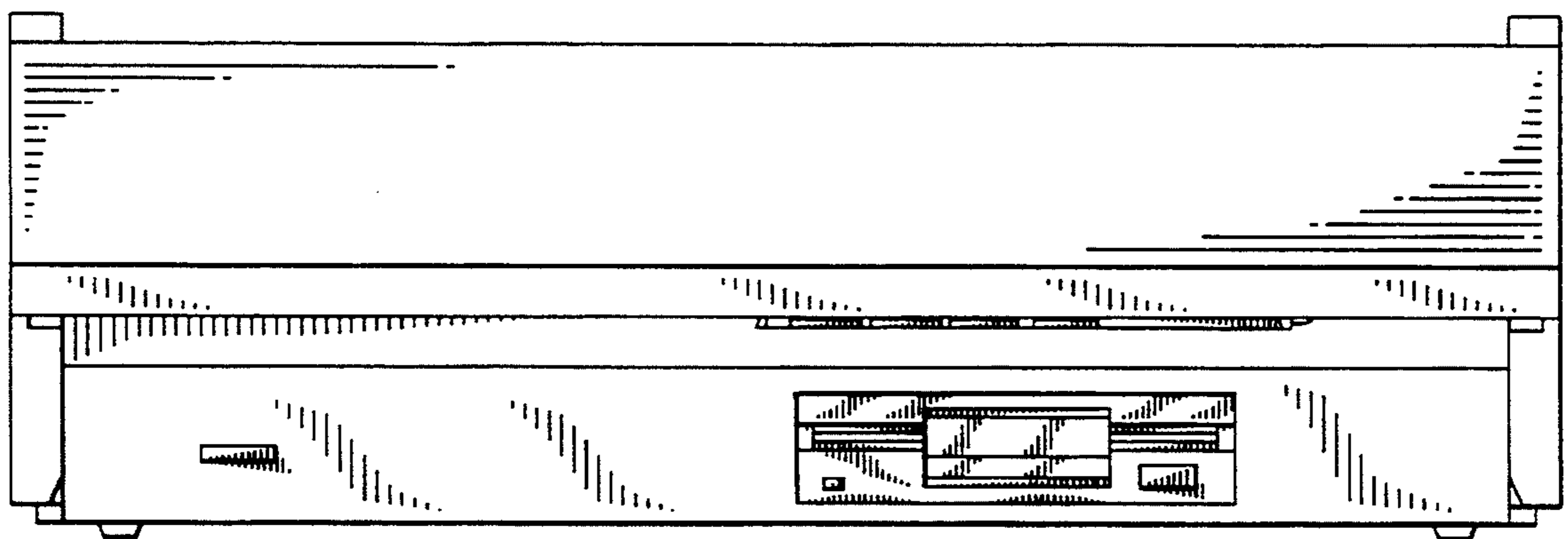


FIG. 12

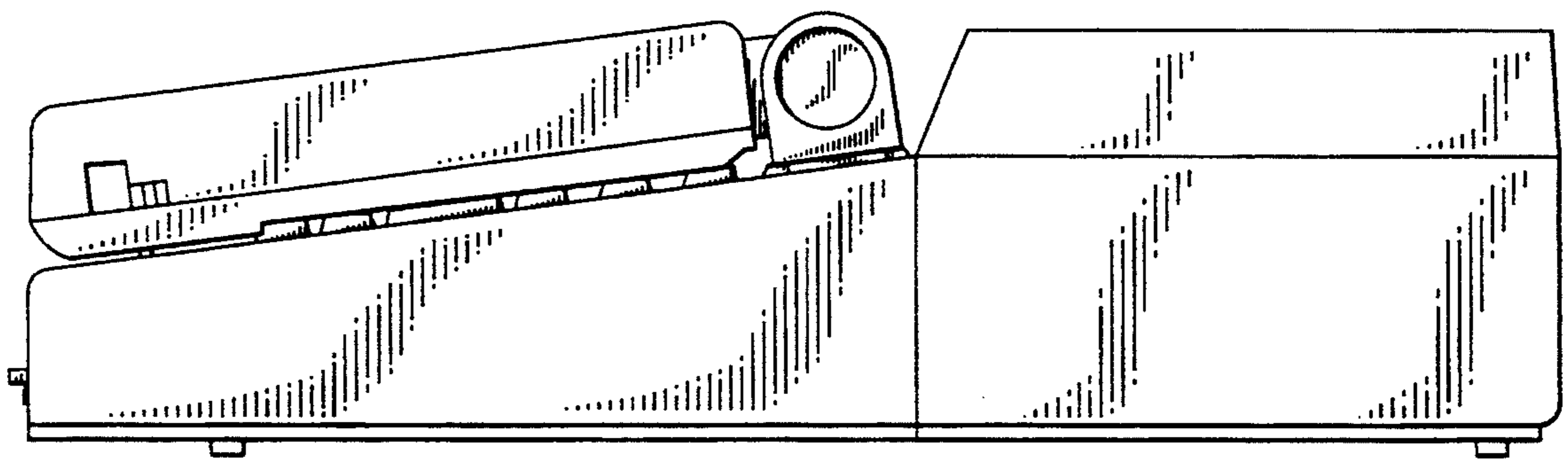


FIG. 13

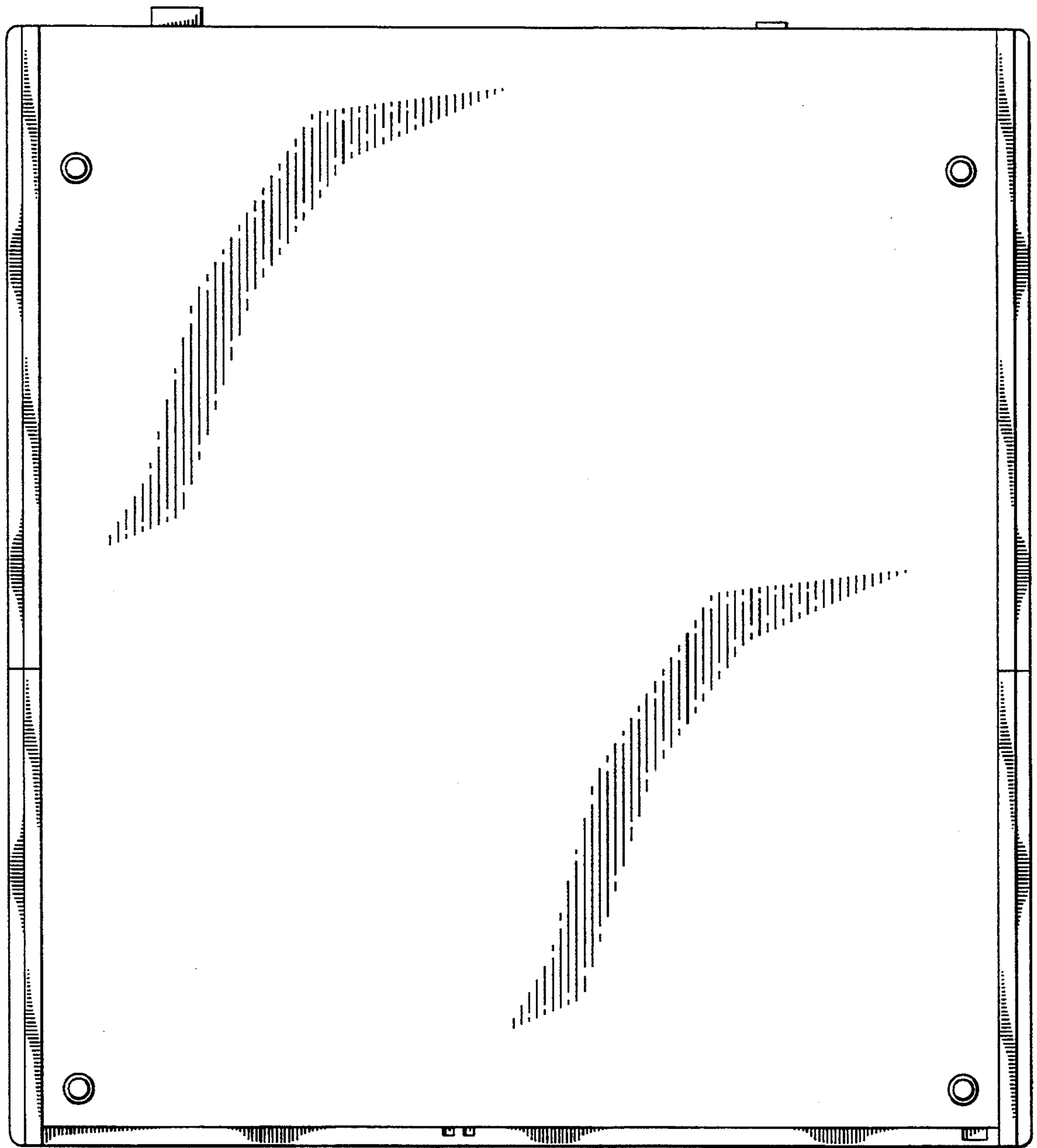


FIG. 14

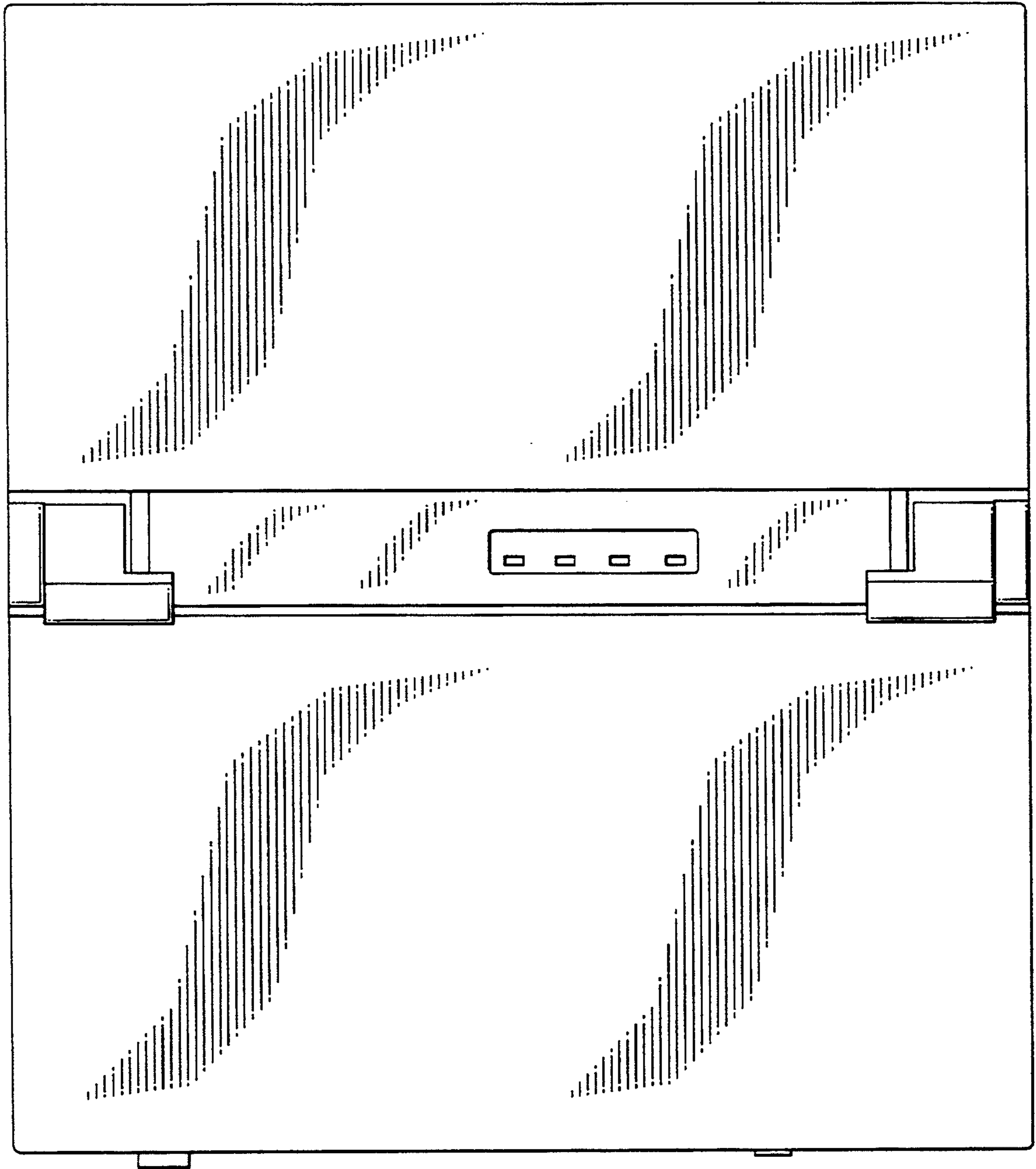


FIG. 15

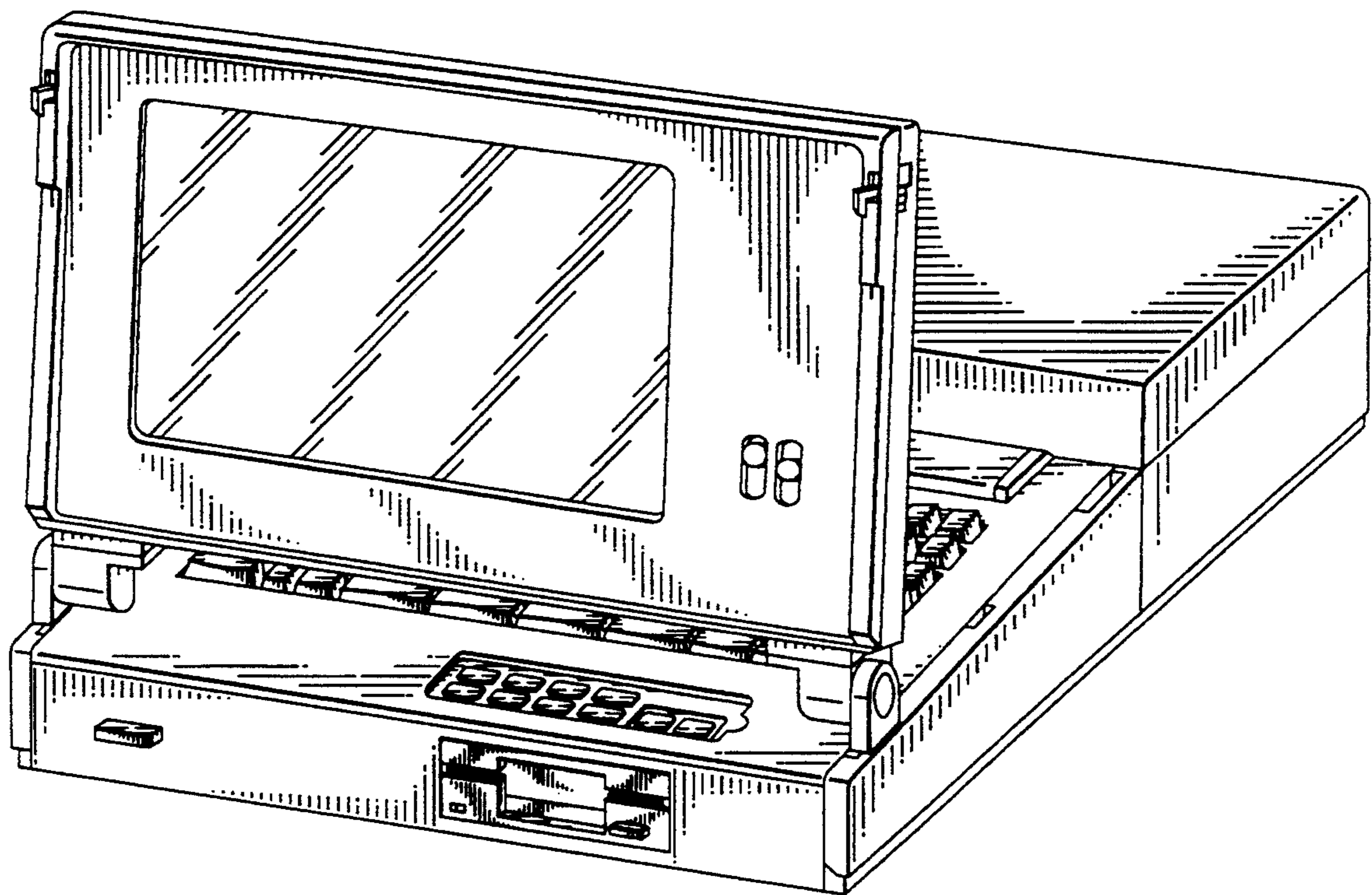


FIG. 16

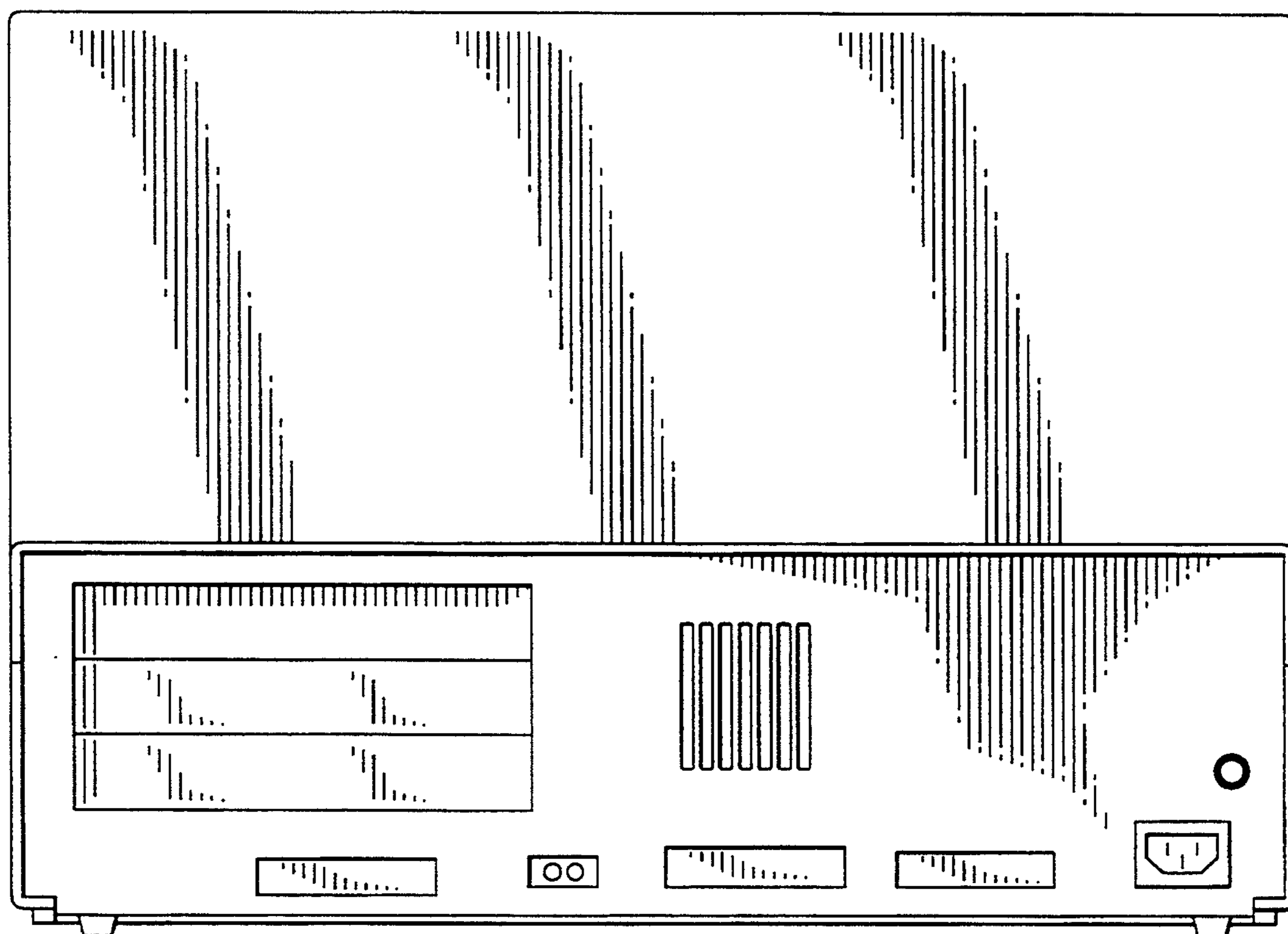


FIG. 17

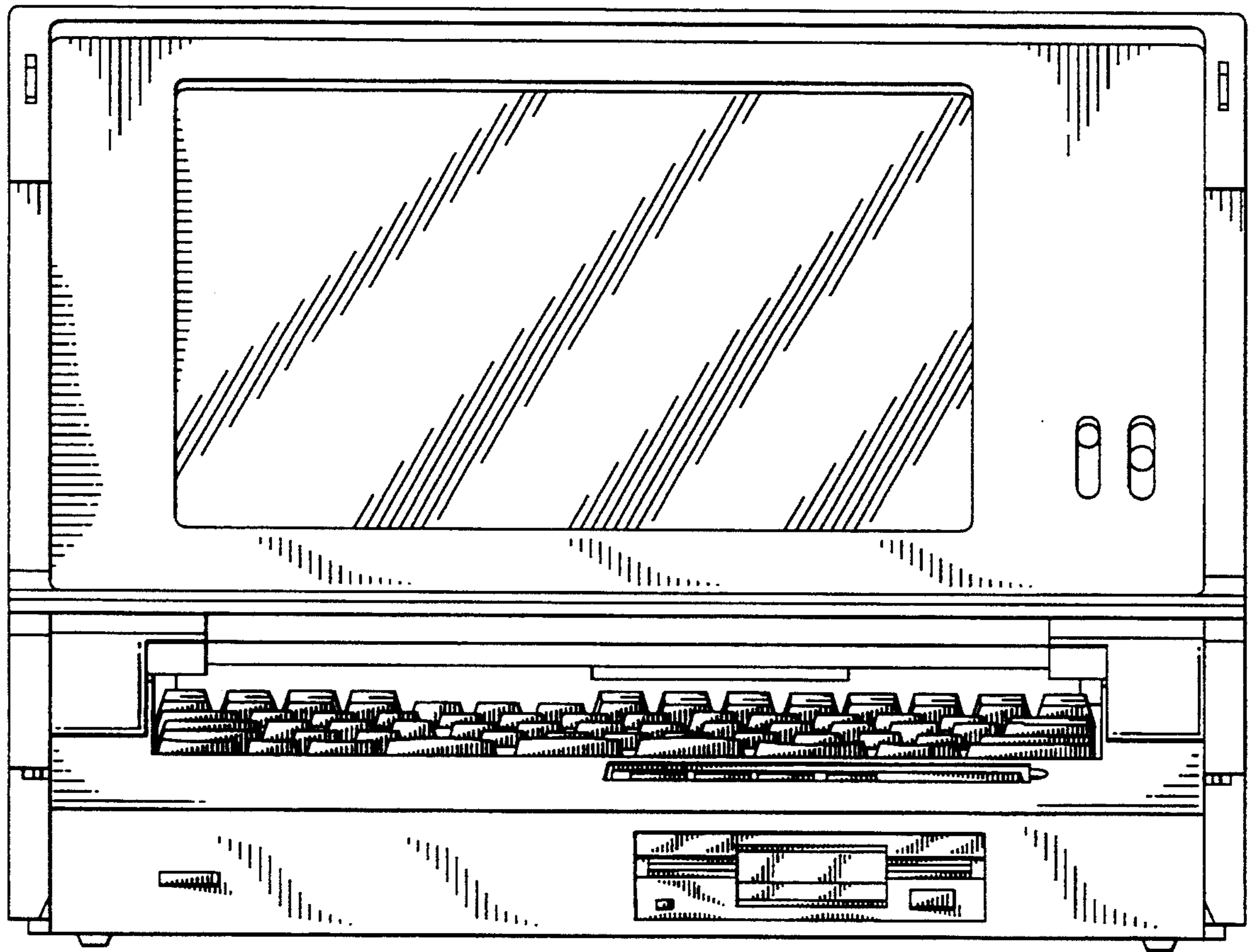


FIG. 18

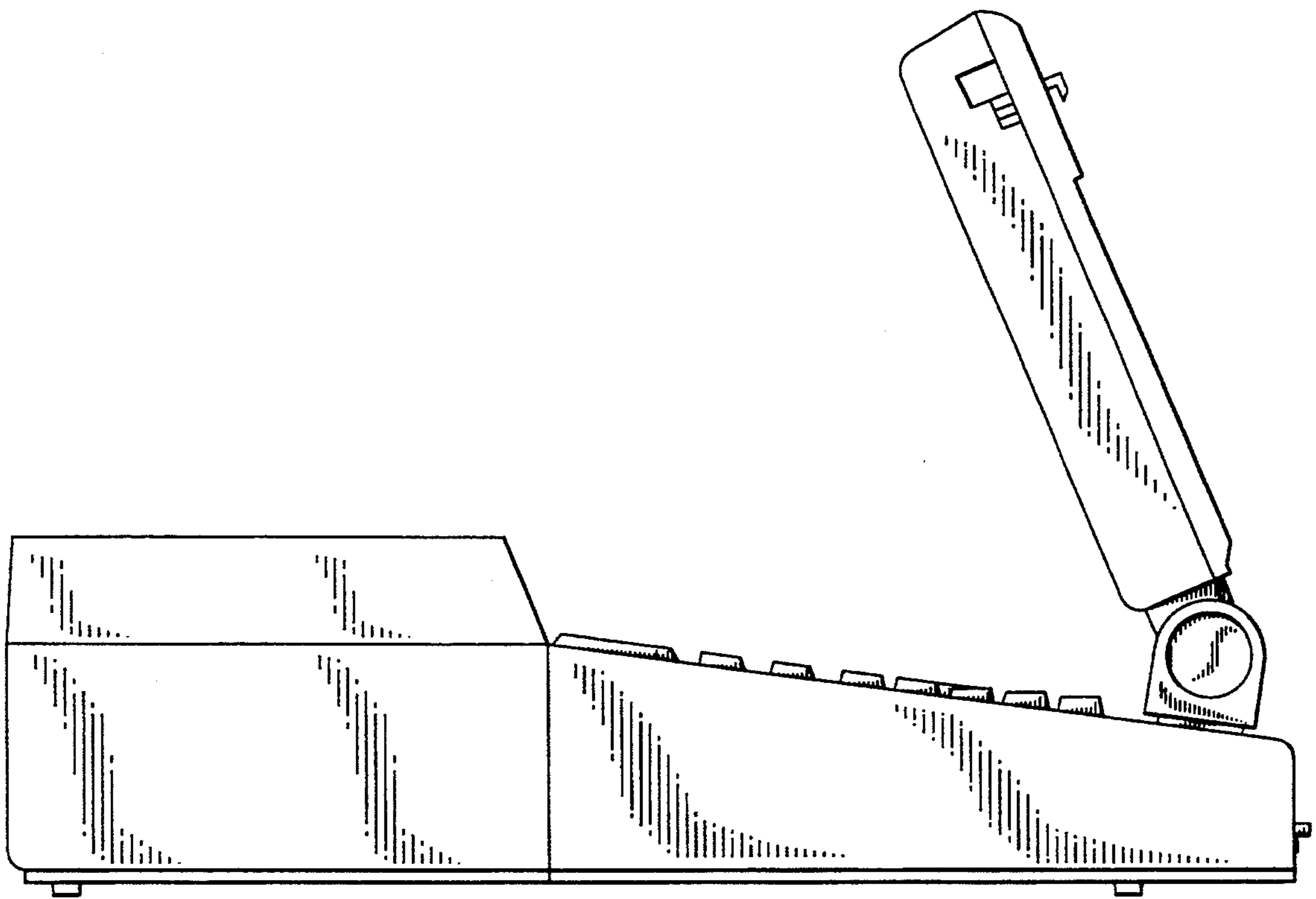


FIG. 19

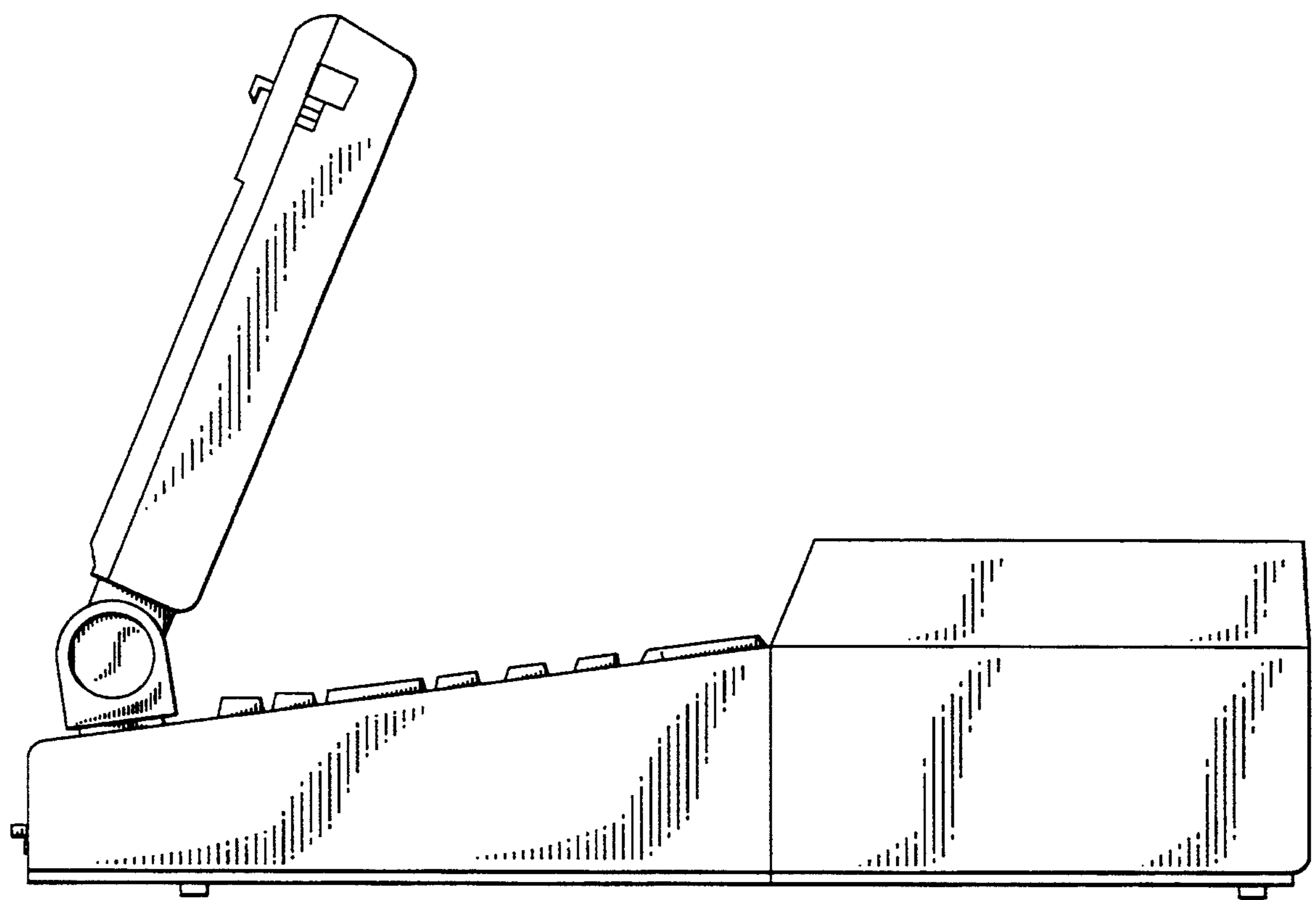


FIG. 20

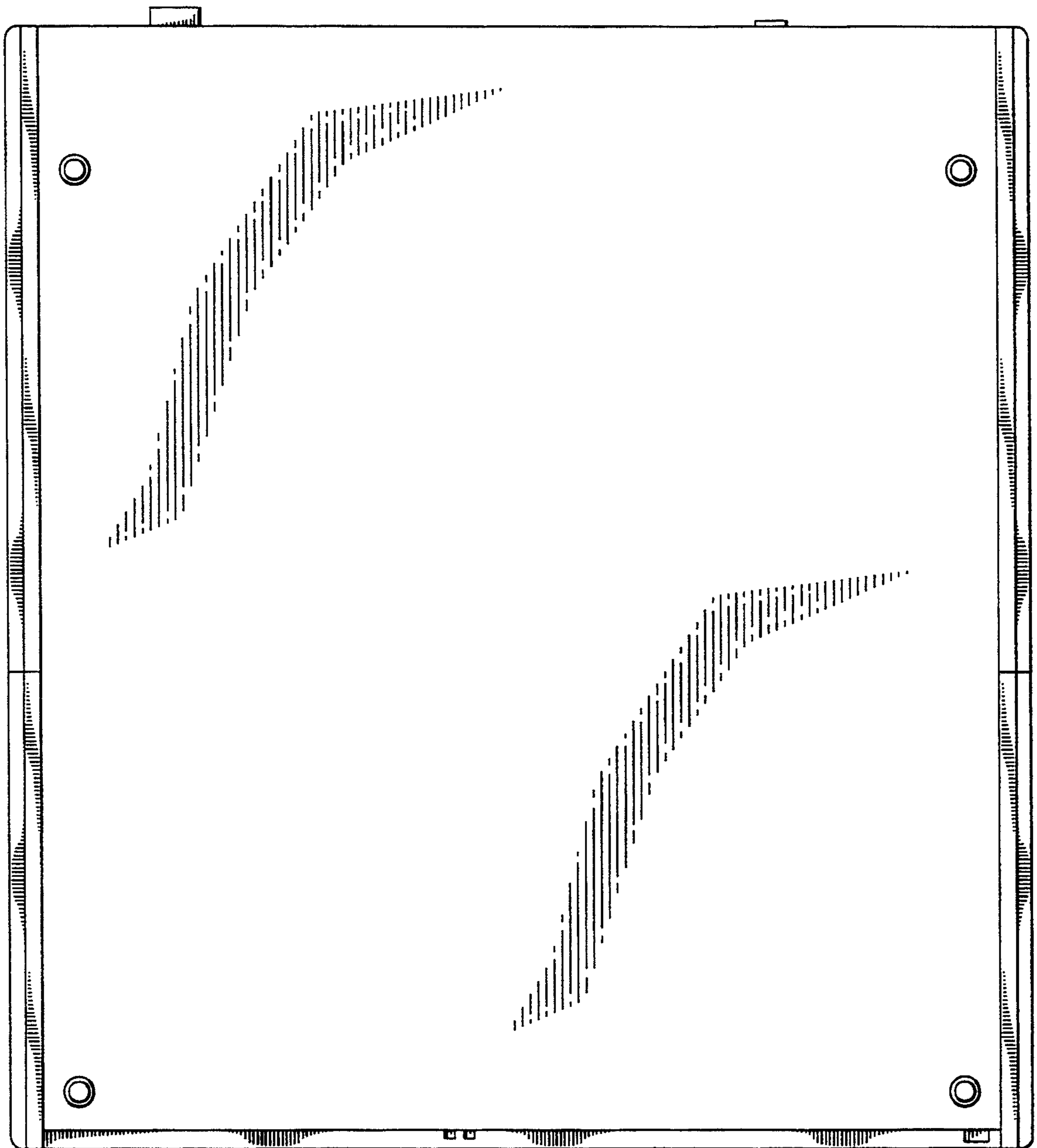


FIG. 21

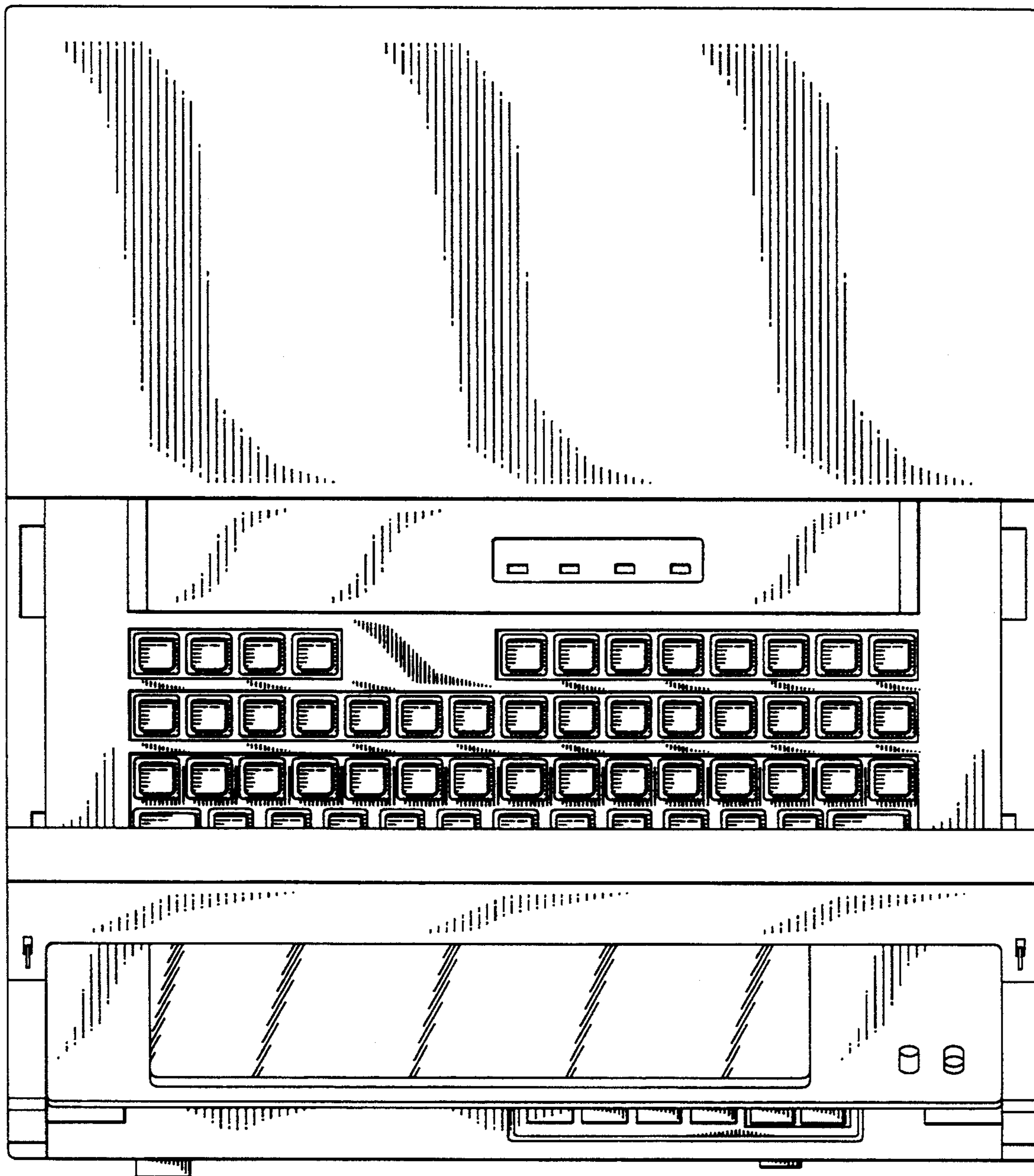


FIG. 22

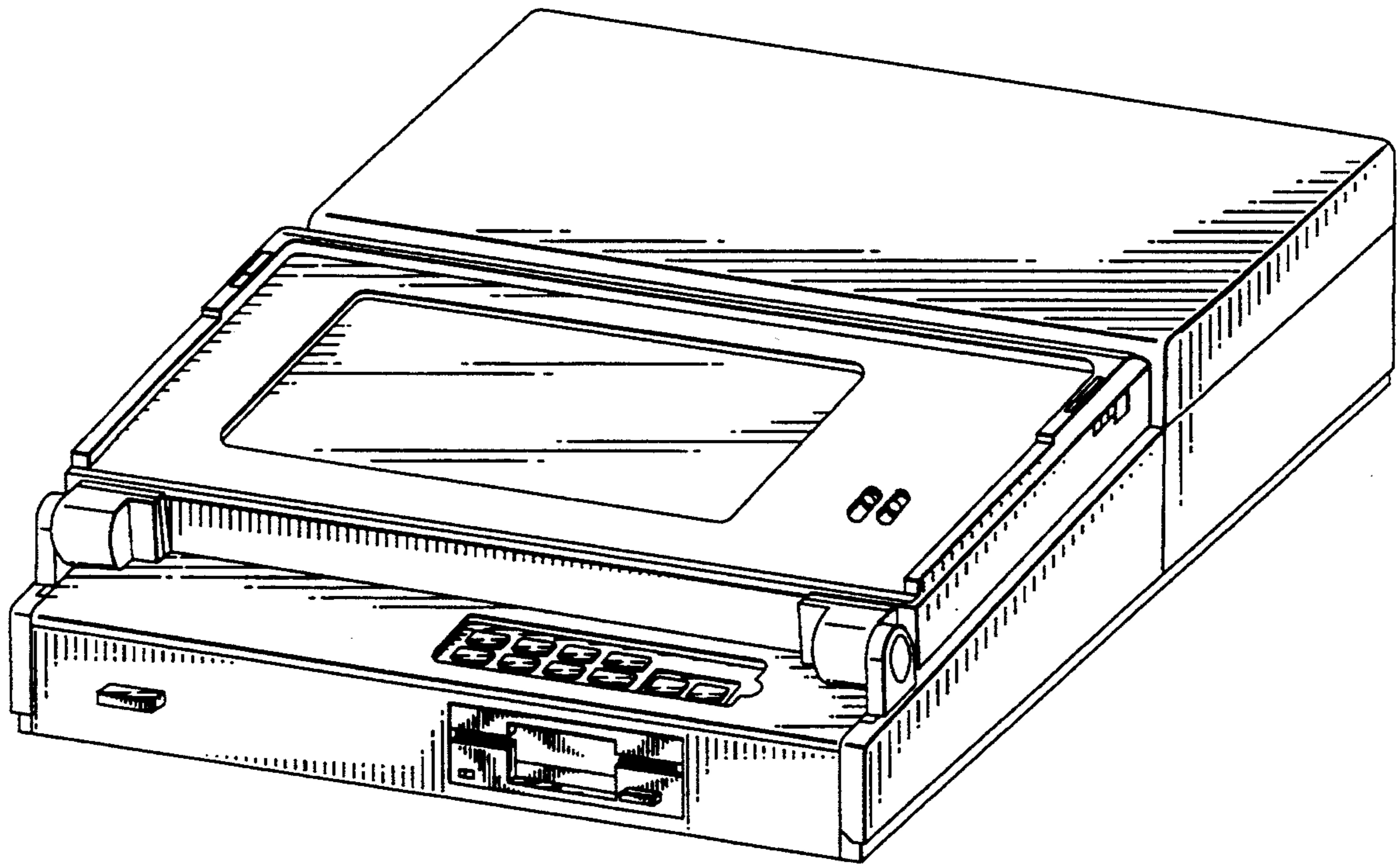


FIG. 23

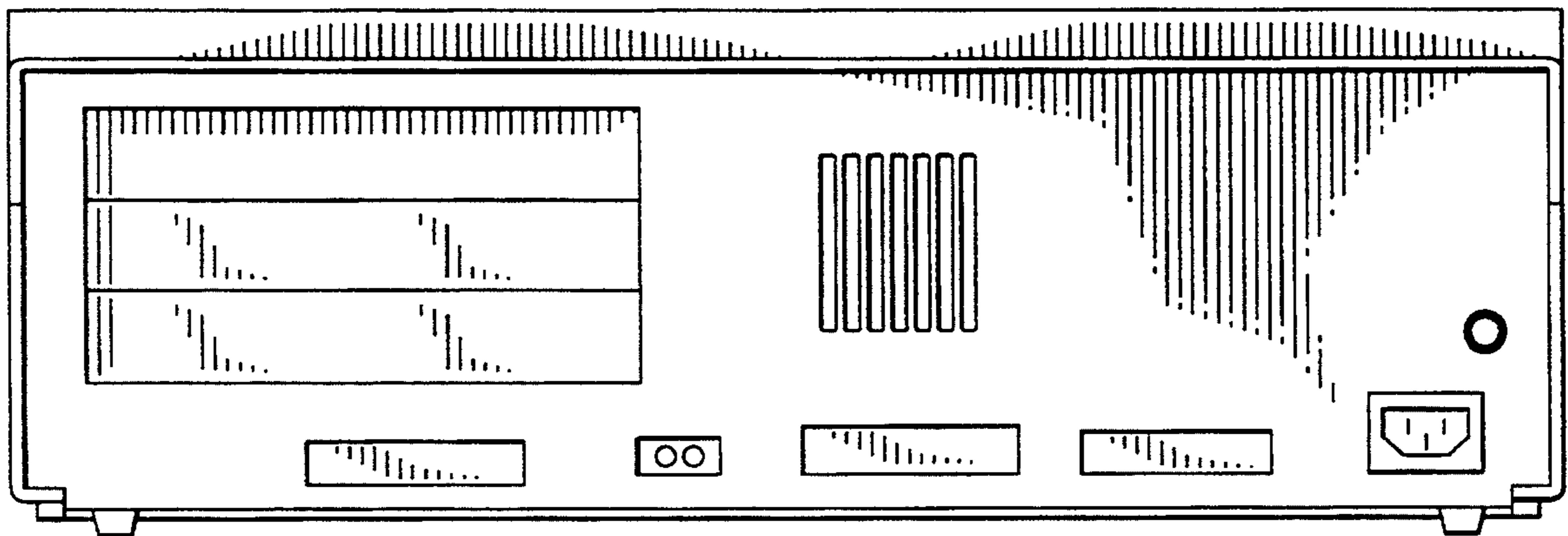


FIG. 24

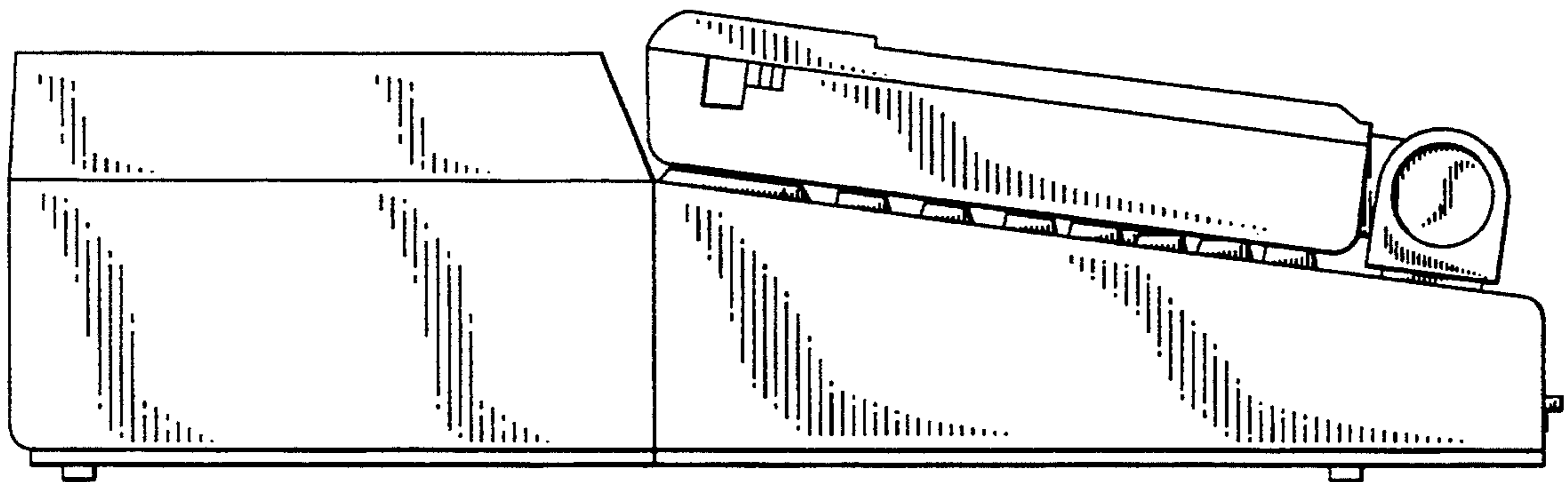


FIG. 25

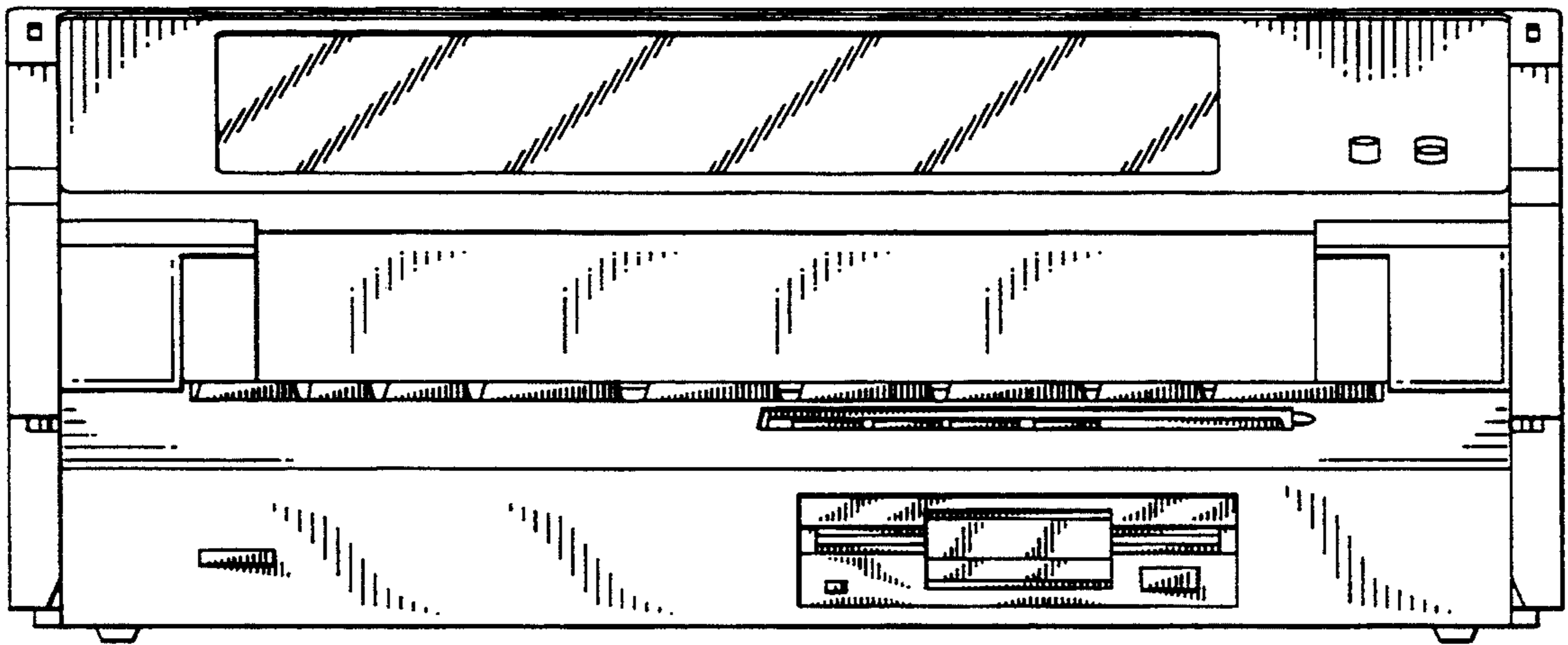


FIG. 26

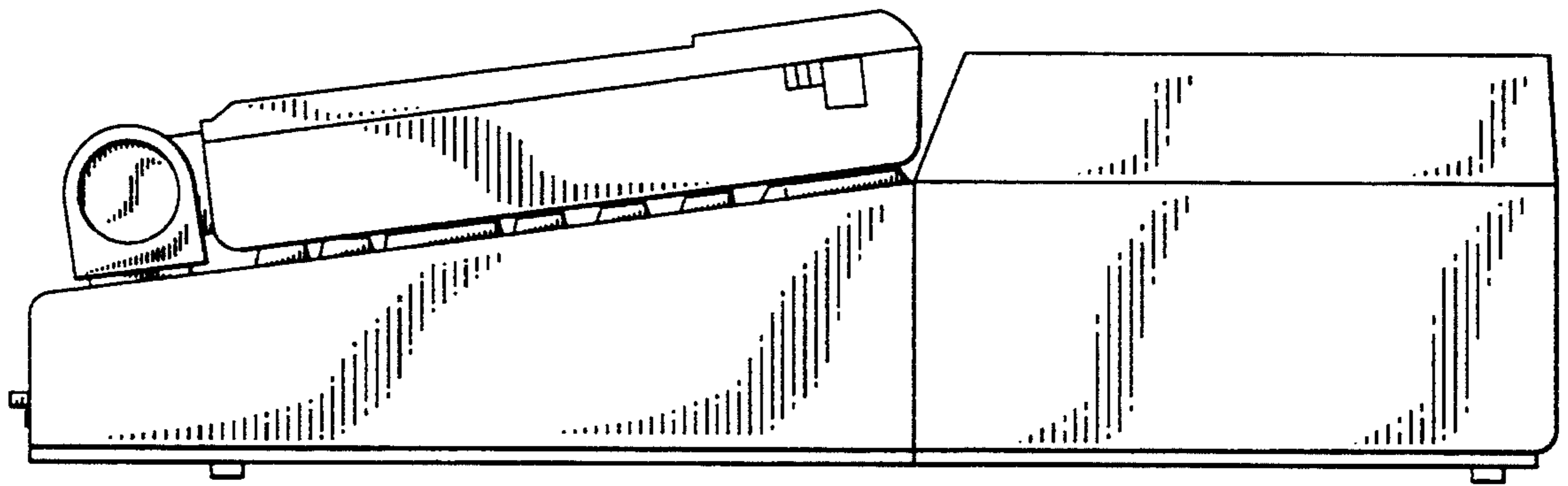


FIG. 27

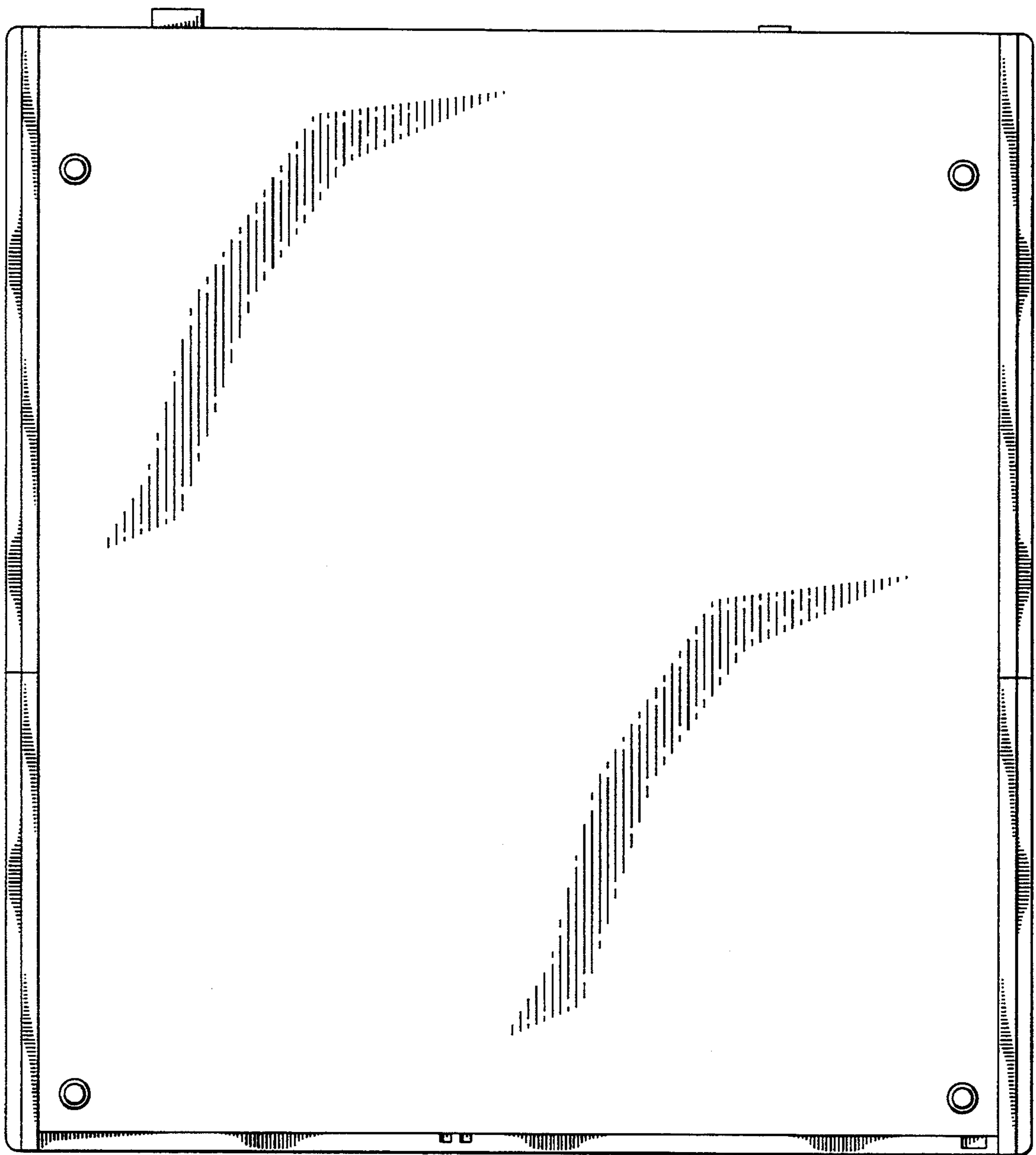


FIG. 28

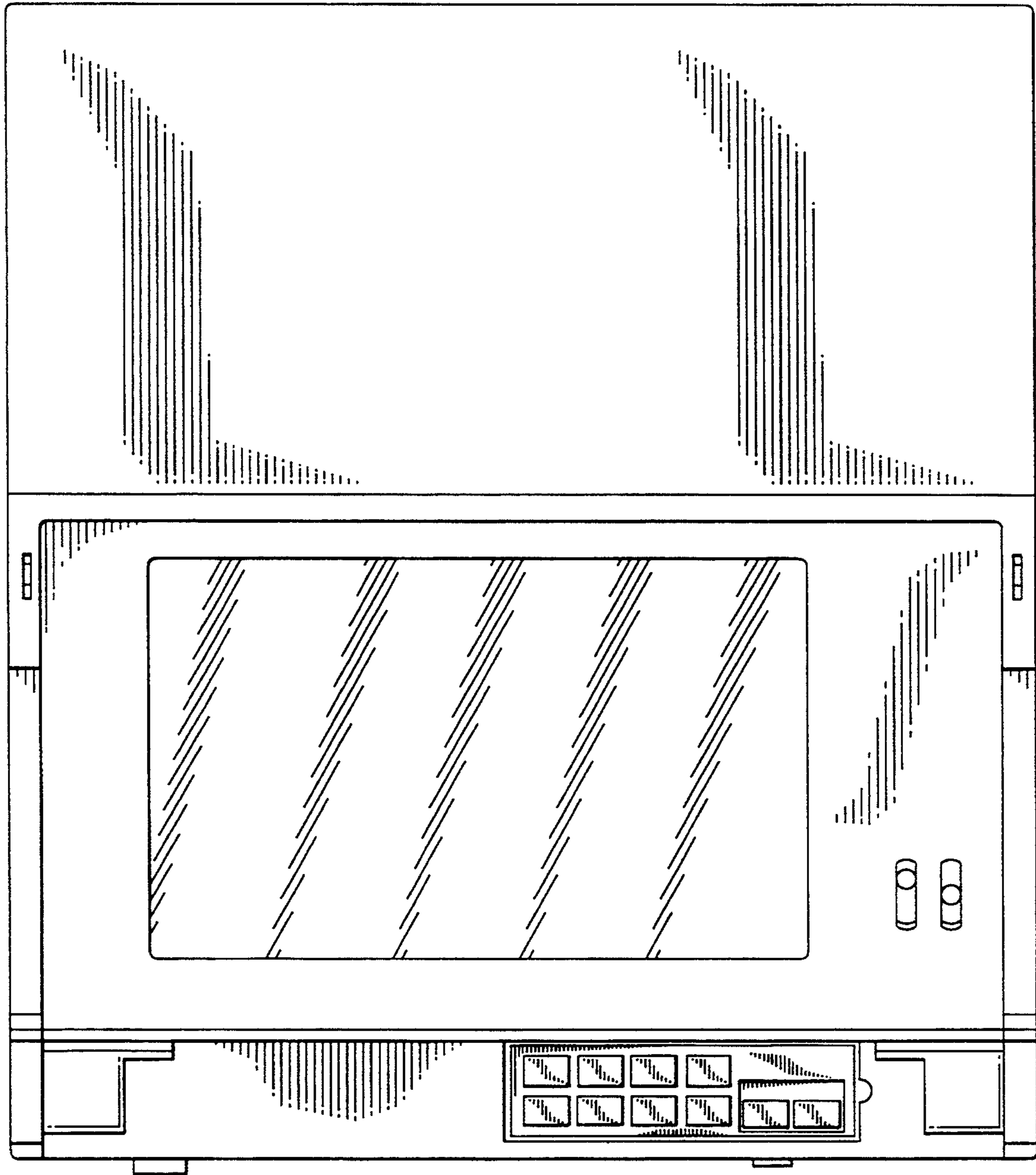


FIG. 29

