



US00D349687S

United States Patent [19]

[11] Patent Number: **Des. 349,687**

Khoo et al.

[45] Date of Patent: **** Aug. 16, 1994**

- [54] **RADIO FREQUENCY SWITCH BOX**
- [75] Inventors: **Bee L. Khoo**, Johor Bahru, Malaysia;
Huan S. Chia, Singapore, Singapore
- [73] Assignee: **Motorola, Inc.**, Schaumburg, Ill.
- [**] Term: **14 Years**
- [21] Appl. No.: **508,399**
- [22] Filed: **Apr. 13, 1990**
- [52] U.S. Cl. **D13/162; D13/184**
- [58] Field of Search 361/334, 356, 379, 391,
361/415; 174/50, 59, 65 R, 67; 439/521, 535;
220/3.2, 3.8, 220, 334; 379/399, 428, 437;
D13/152, 162, 184; D14/240, 256

FOREIGN PATENT DOCUMENTS

0651510 3/1979 U.S.S.R. 361/379

Primary Examiner—Wallace R. Burke
Assistant Examiner—Joel Sincavage
Attorney, Agent, or Firm—Gregg E. Rasor; William E. Koch; Thomas G. Berry

[57] CLAIM

The ornamental design for a radio frequency switch box, as shown and described.

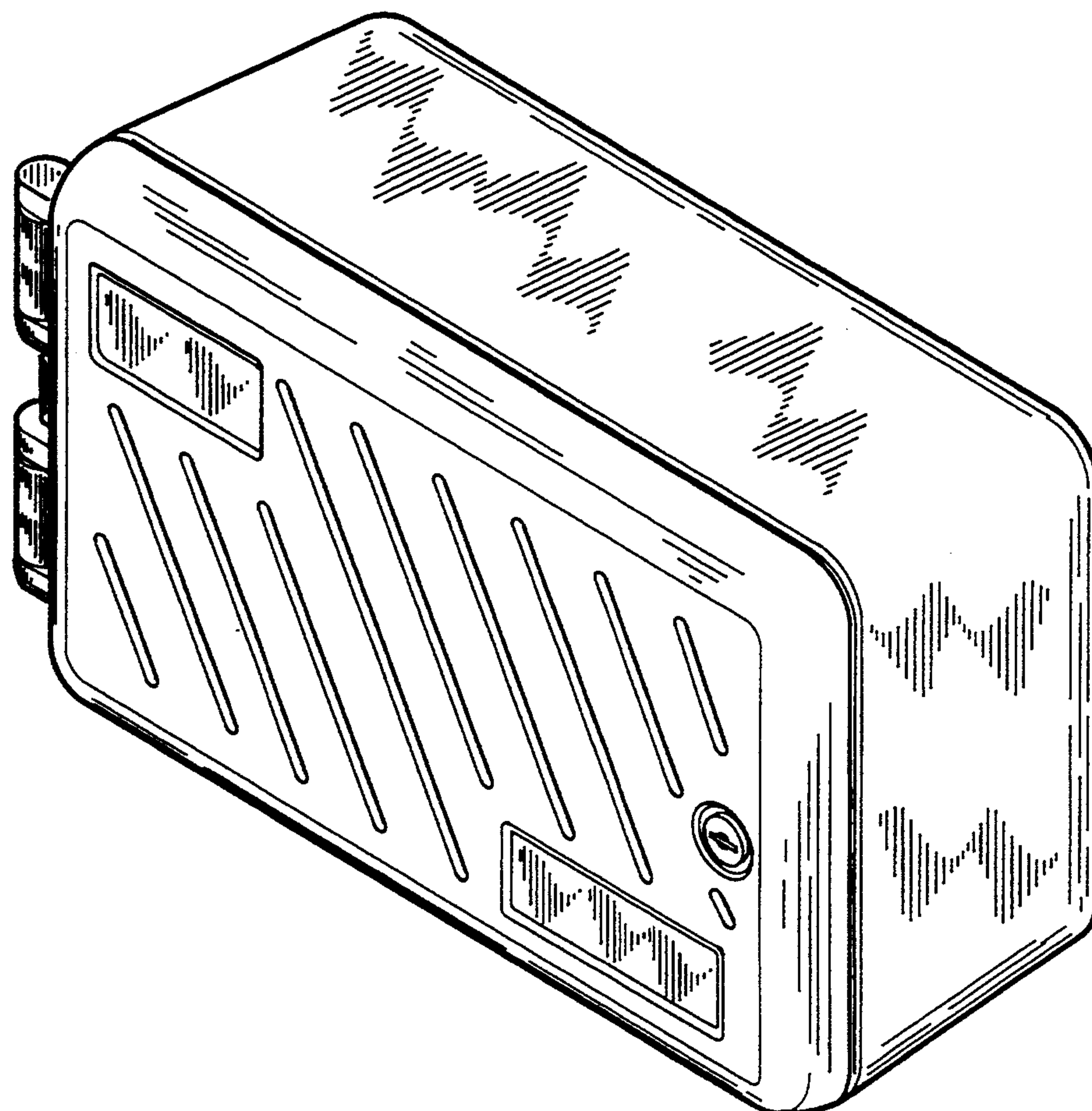
DESCRIPTION

FIG. 1 is a top plan view of a radio frequency switch box showing our new design;
 FIG. 2 is a front elevational view thereof;
 FIG. 3 is a right side elevational view shown on a scale reduced from that shown in FIG. 2;
 FIG. 4 is a bottom plan view thereof shown on the same scale as FIG. 2;
 FIG. 5 is a rear elevational view thereof shown on the same scale as FIG. 2;
 FIG. 6 is a left side elevational view thereof shown on the same scale as FIG. 3; and,
 FIG. 7 is a front and upper right perspective view thereof shown on a scale slightly reduced from that shown in FIG. 3.

[56] References Cited

U.S. PATENT DOCUMENTS

D. 219,980	2/1971	McMenamy et al.	D13/162
D. 284,959	8/1986	Berg	D13/184
D. 292,089	9/1987	Smith et al.	D14/240
D. 312,244	11/1990	Collins et al.	D13/184 X
D. 312,618	12/1990	Ambros	D13/184
3,442,415	5/1969	Glass	220/334
4,484,692	11/1984	Palermo et al.	220/3.8 X
4,723,919	2/1988	Crane	D13/152 X
4,850,014	7/1989	Gillis et al.	361/356 X
4,910,770	3/1990	Collins et al.	361/356 X



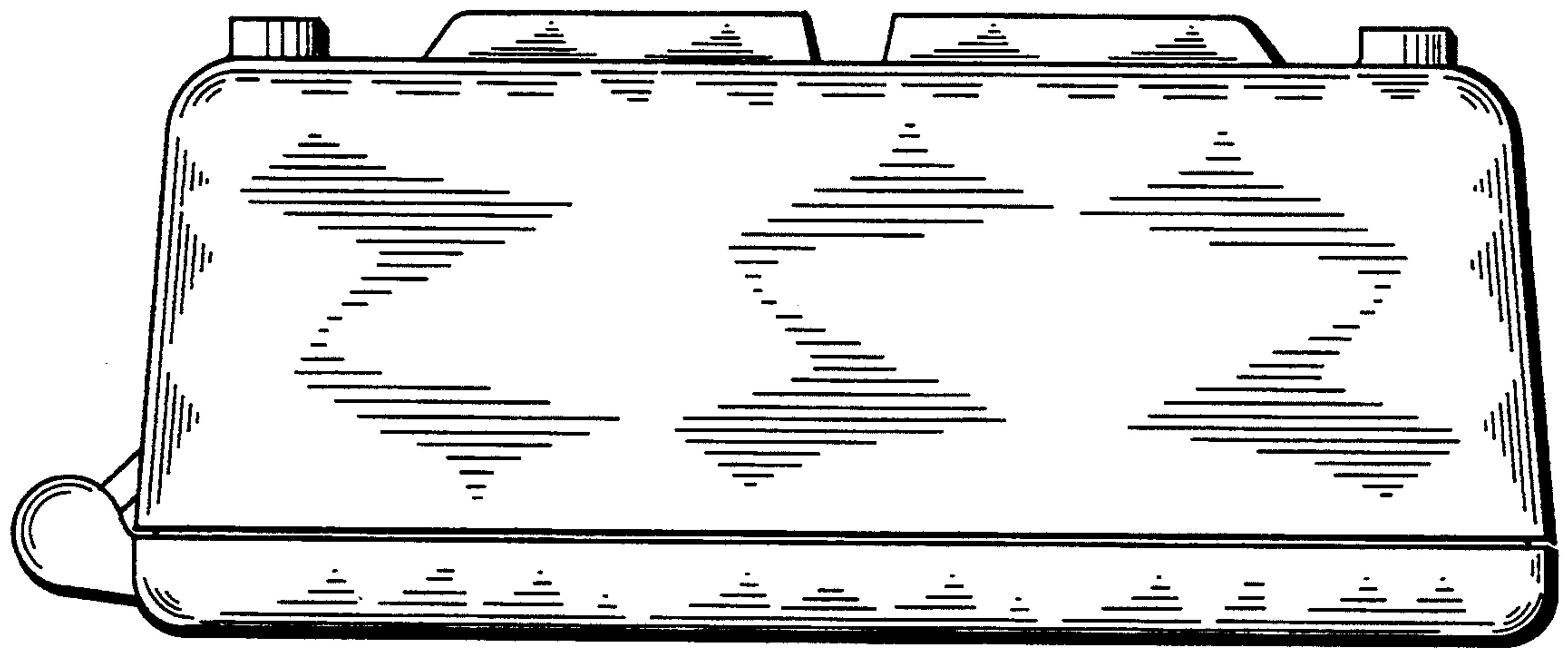


FIG. 1

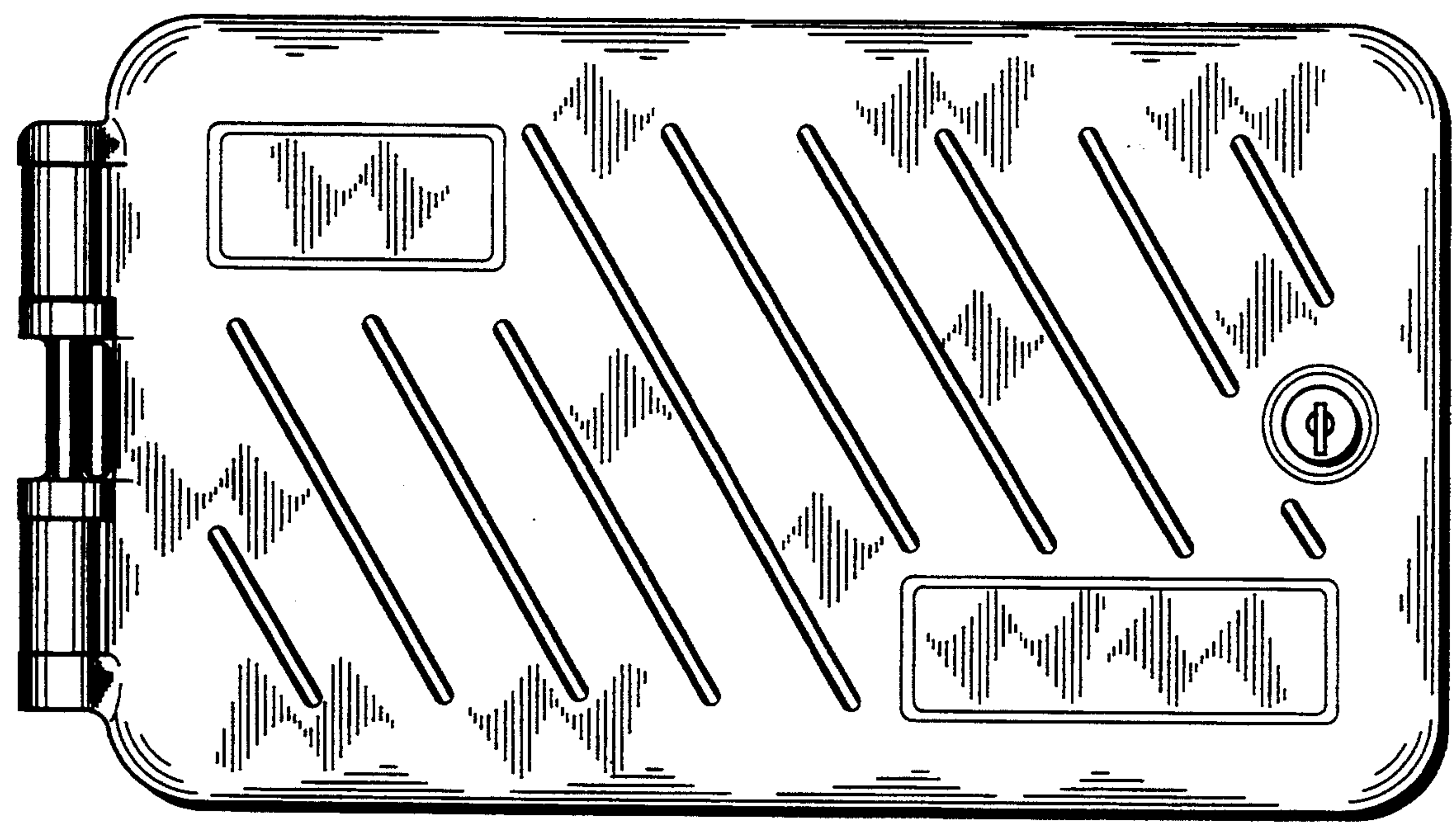


FIG. 2

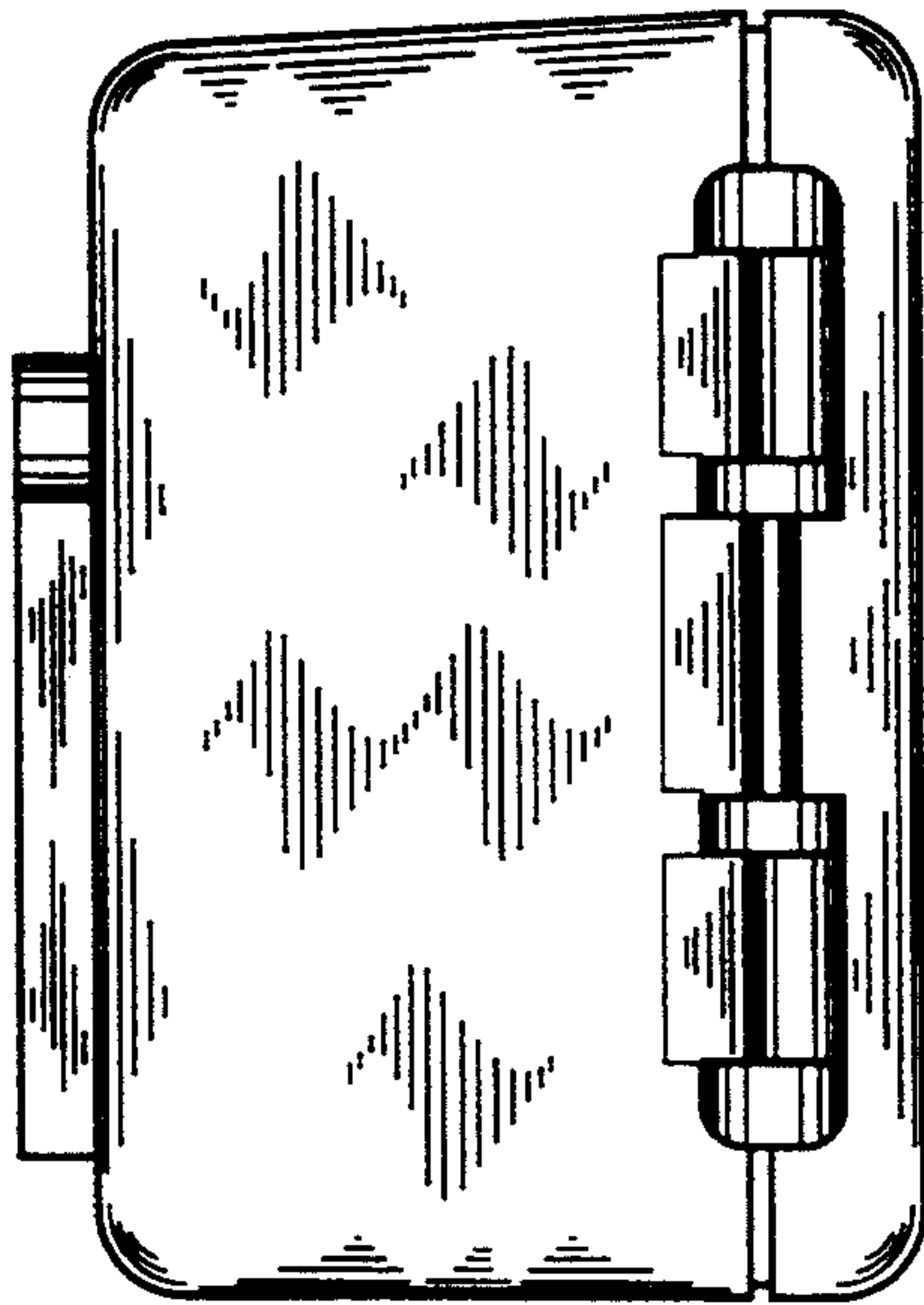


FIG. 6

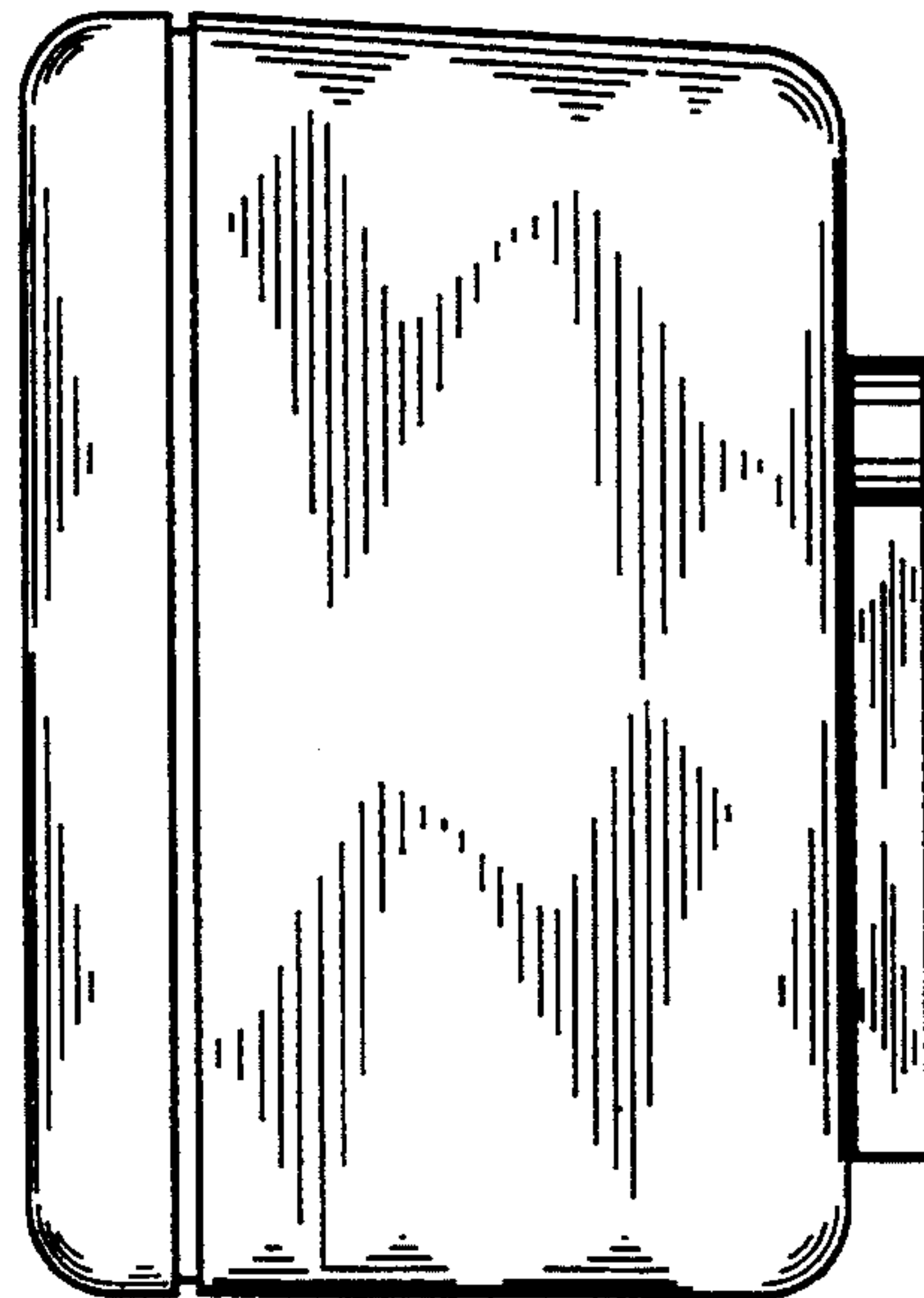


FIG. 3

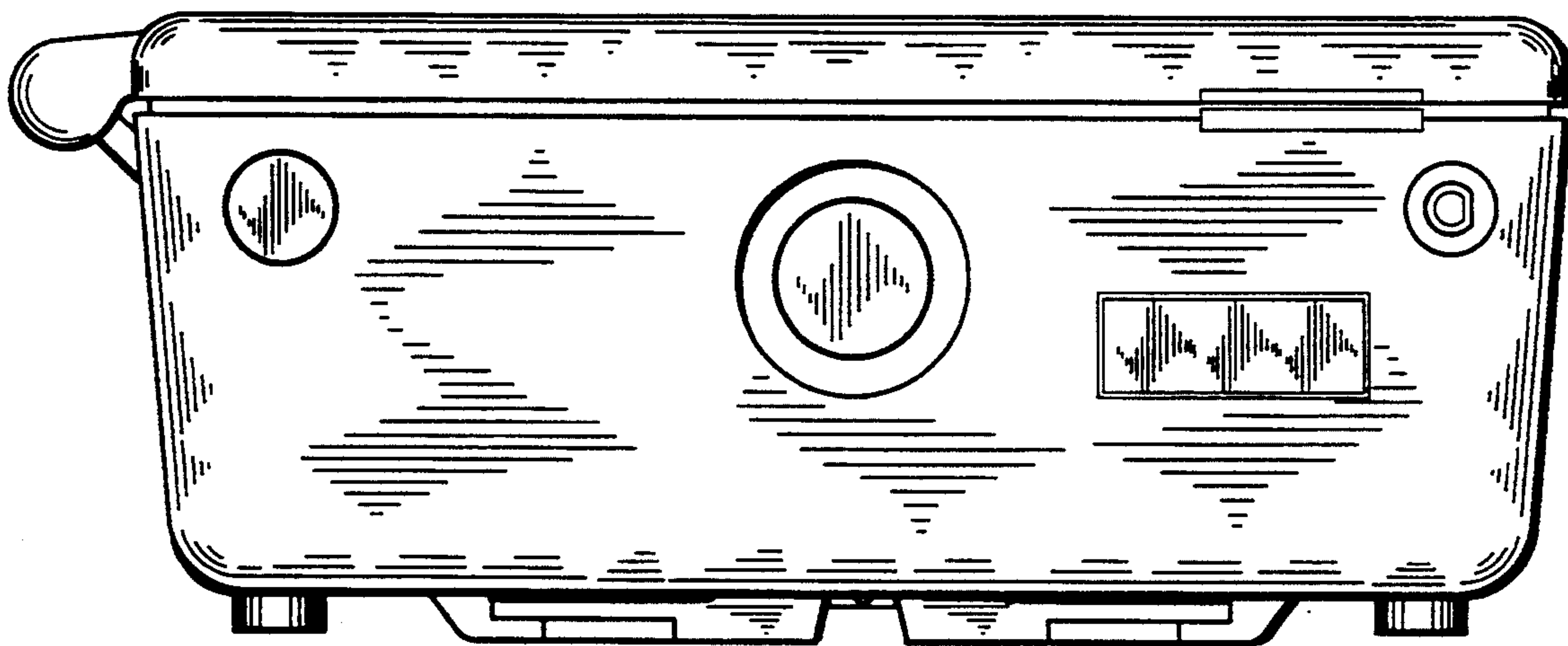


FIG. 4

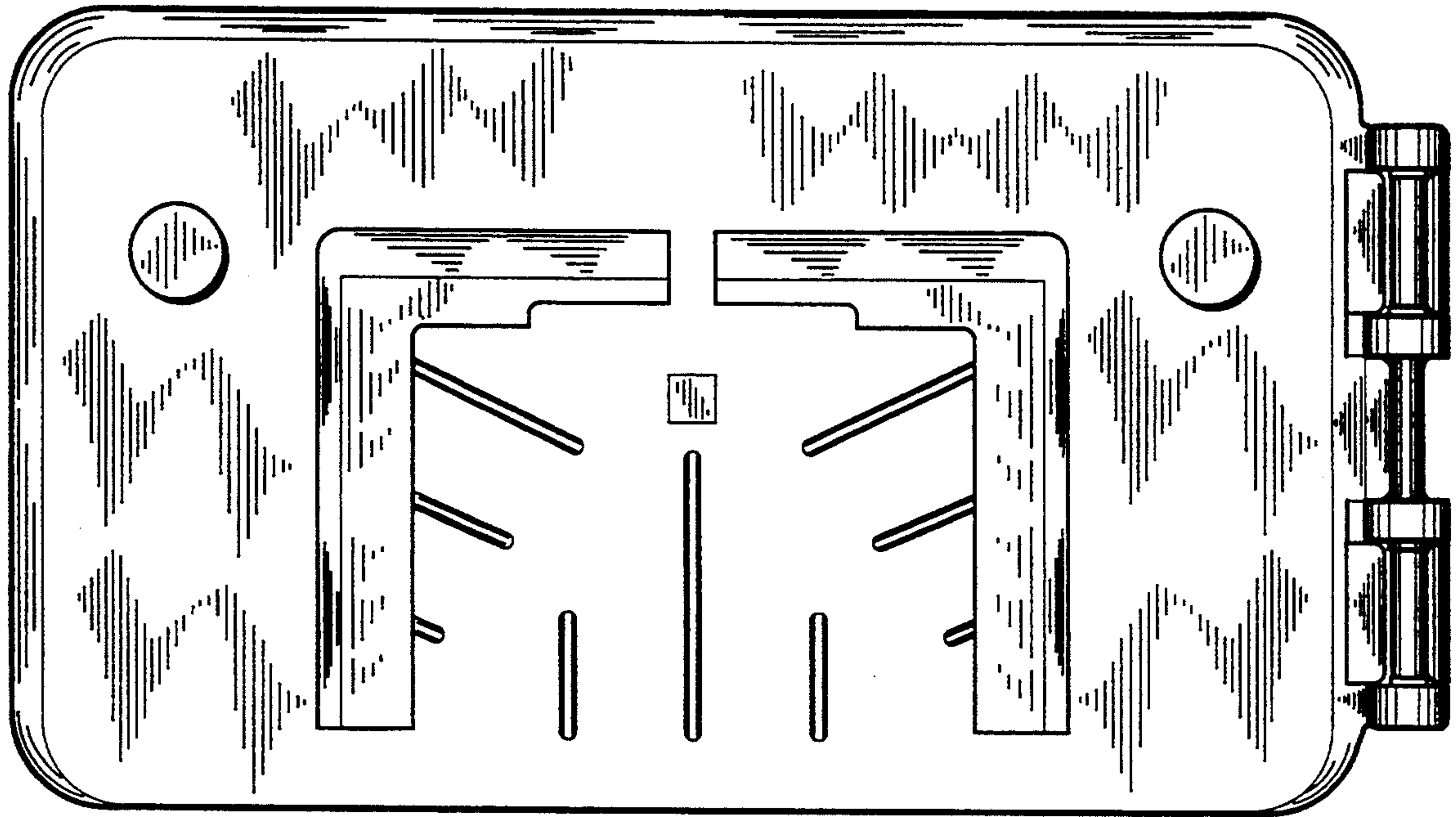


FIG. 5

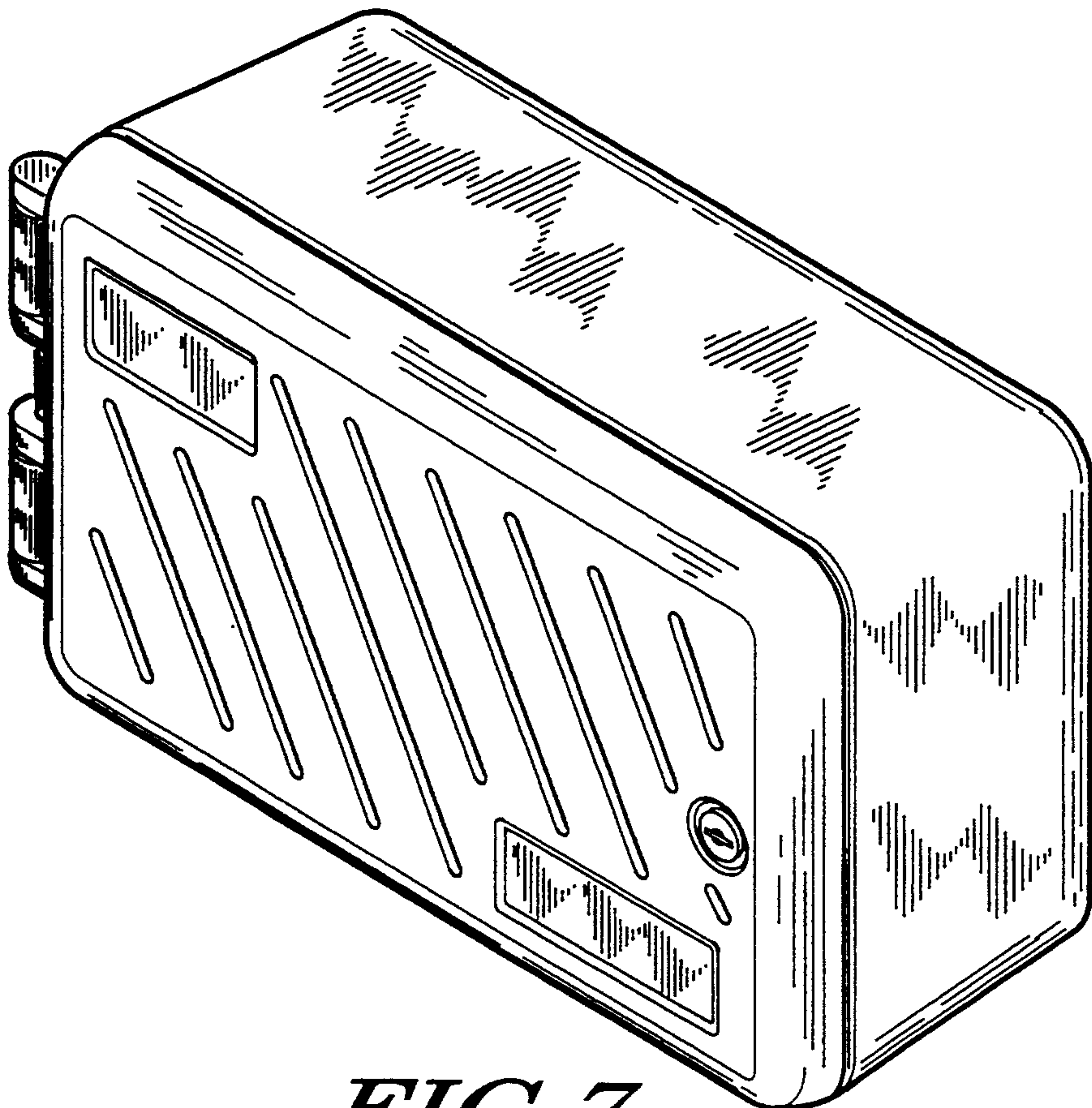


FIG. 7