



US00D349686S

United States Patent [19]

Robinson et al.

[11] Patent Number: **Des. 349,686**

[45] Date of Patent: **** Aug. 16, 1994**

[54] **TEMPORARY METERED ELECTRICAL POWER WATTHOUR METER SOCKET ADAPTER**

[75] Inventors: **Darrell A. Robinson, Highland; Allen V. Pruehs, Howell, both of Mich.**

[73] Assignee: **Ekstrom Industries, Inc., Farmington Hills, Mich.**

[**] Term: **14 Years**

[21] Appl. No.: **954,246**

[22] Filed: **Sep. 30, 1992**

[52] U.S. Cl. **D13/146**

[58] Field of Search 361/369, 370, 372; 439/135, 146, 508, 517, 651, 912; 174/5 R, 65 R; D13/133, 146; D10/100

[56] **References Cited**

U.S. PATENT DOCUMENTS

D. 260,146	8/1981	Salazar	D10/102 X
3,643,209	2/1972	Coston	439/651 X
4,311,354	1/1982	Robinson et al.	174/138 F X
4,772,213	9/1988	Bell et al.	439/465 X
4,892,485	1/1990	Patton	439/517 X

4,977,482	12/1990	Langdon et al.	361/366
5,033,973	7/1991	Preuhs et al.	439/167
5,097,383	3/1992	Heard et al.	361/367
5,129,841	7/1992	Allina et al.	439/651 X
5,134,544	7/1992	Howell	174/65 R X
5,145,403	9/1992	Schaffert et al.	439/146 X

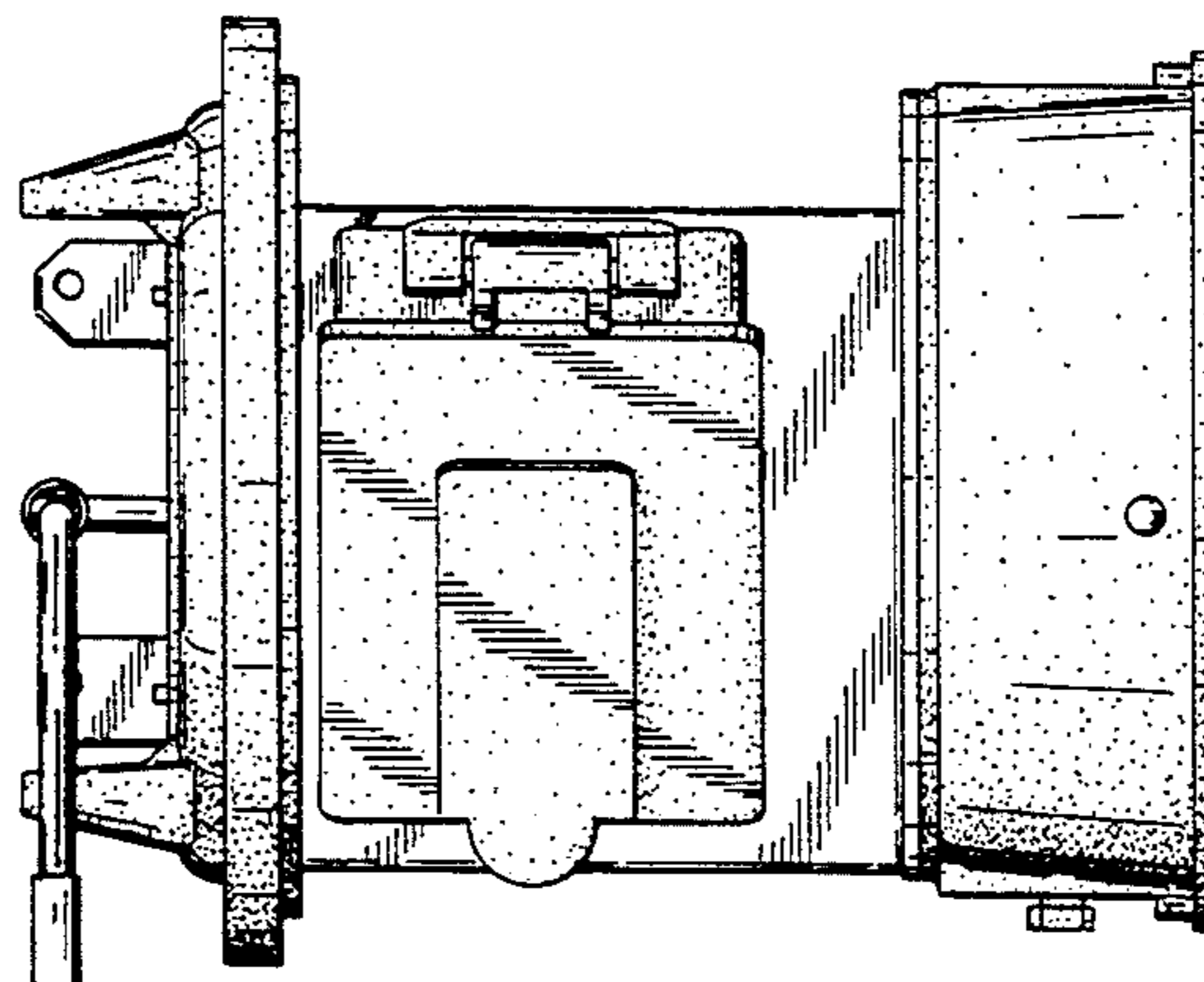
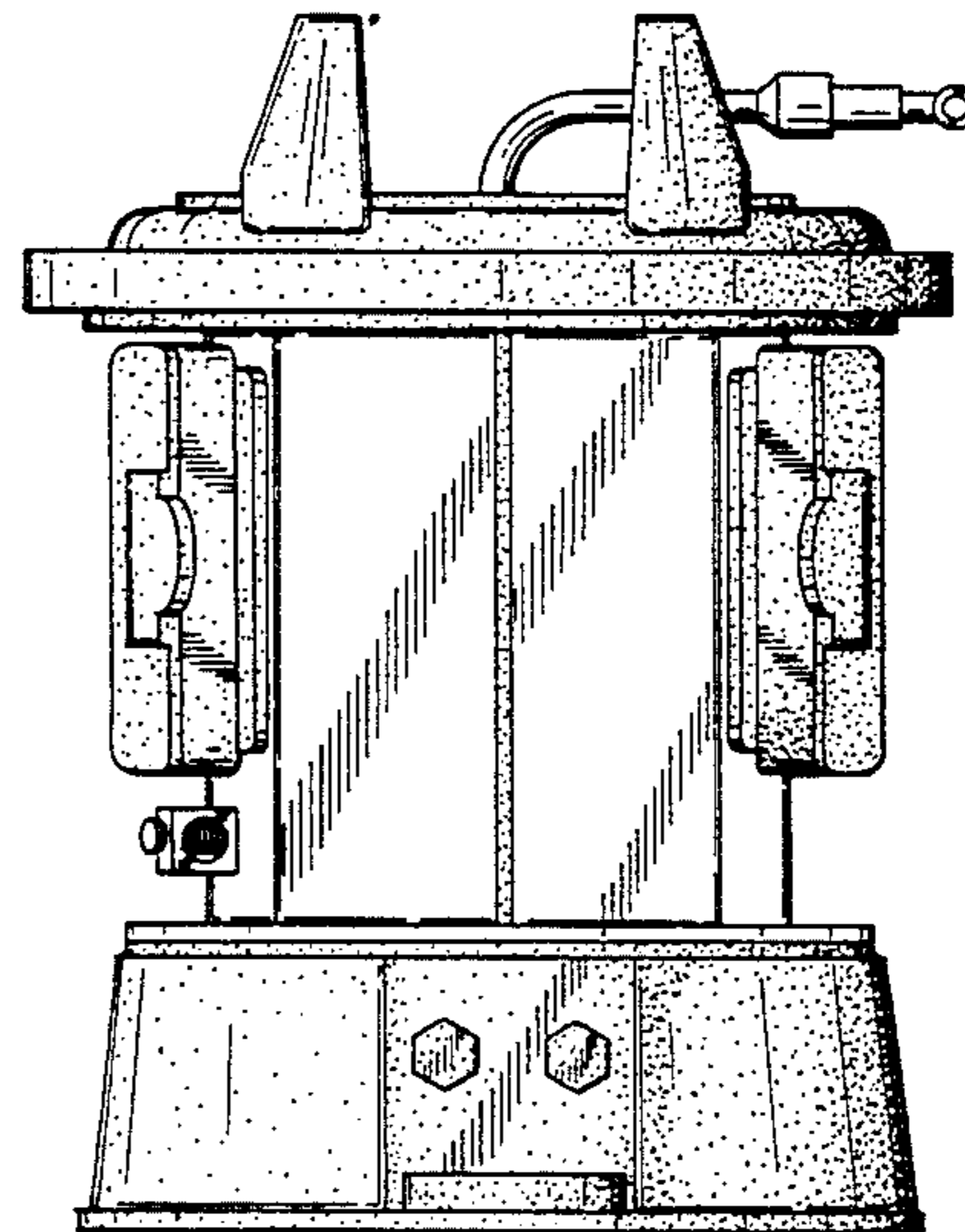
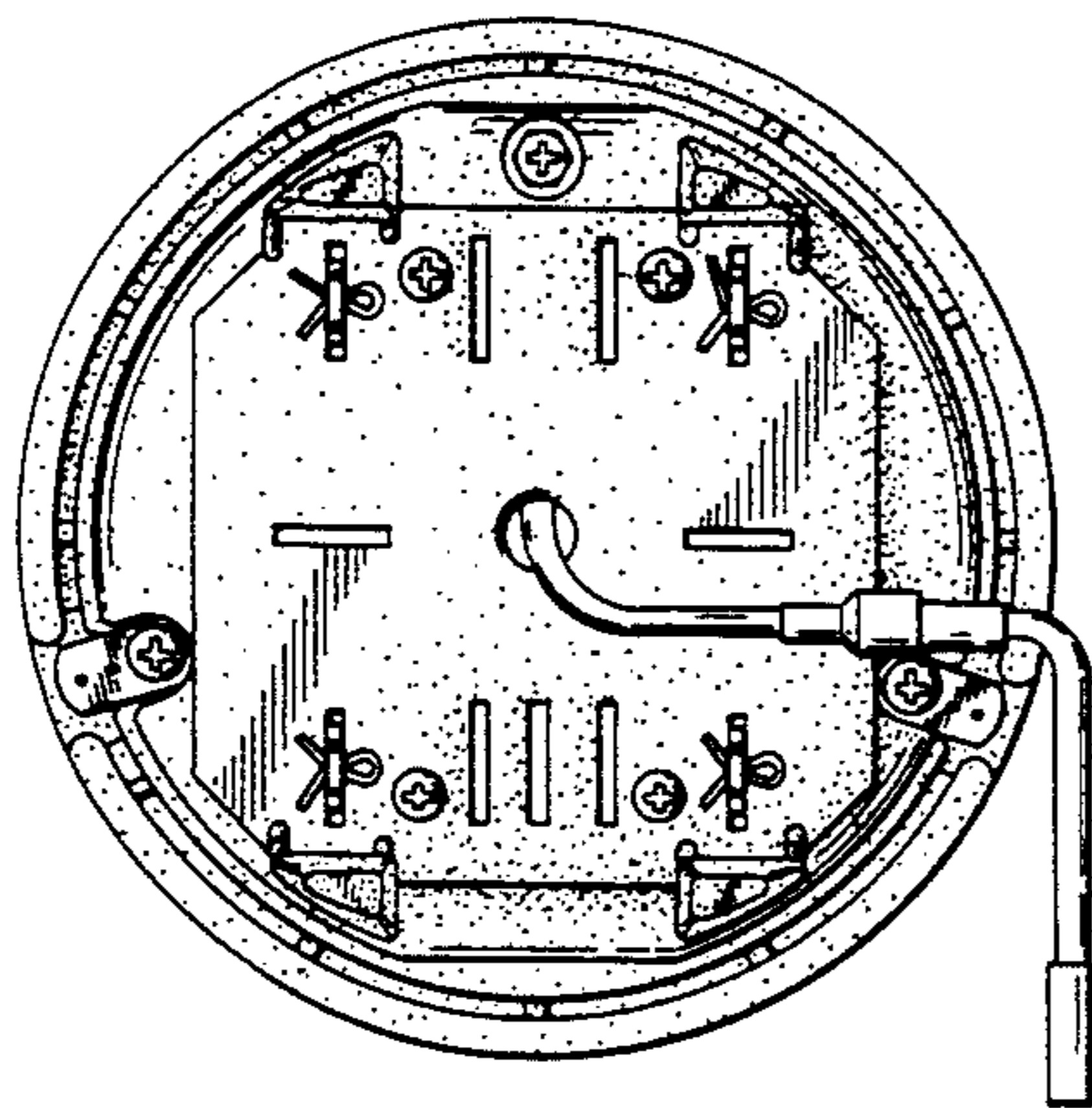
Primary Examiner—Wallace R. Burke
Assistant Examiner—Joel Sincavage
Attorney, Agent, or Firm—Basile and Hanlon

[57] **CLAIM**

The ornamental design for a temporary metered electrical power watthour meter socket adapter, as shown and described.

DESCRIPTION

FIG. 1 is a front plan view of a temporary metered electrical power watthour meter socket adapter showing our new design; FIG. 2 is a rear elevational view thereof; FIG. 3 is a top plan view thereof; FIG. 4 is a bottom plan view thereof; FIG. 5 is a right side elevational view thereof; FIG. 6 is a left side elevational view thereof; and, FIG. 7 is a cross sectional view generally taken along line 7—7 in FIG. 3.



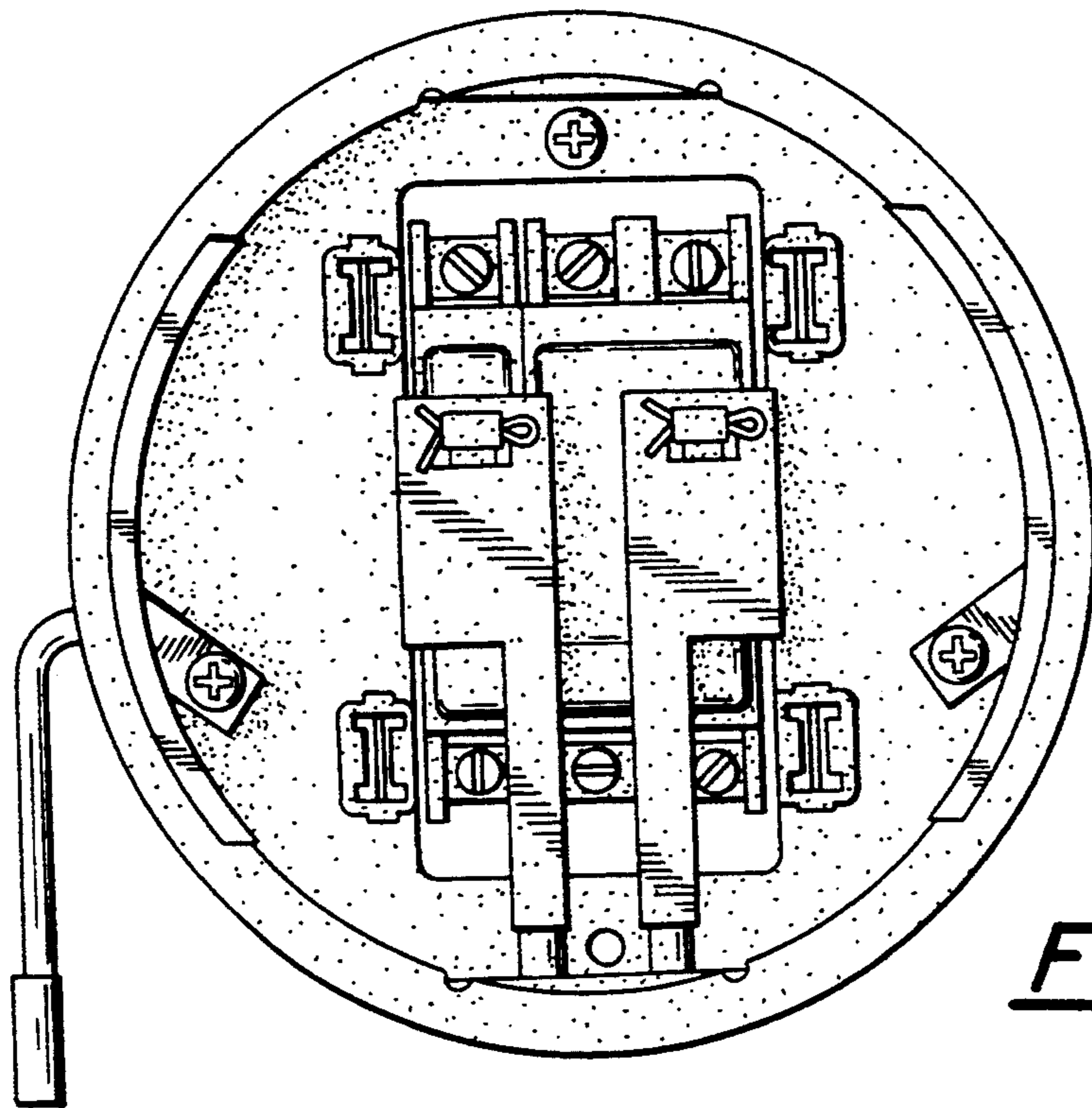


FIG-1

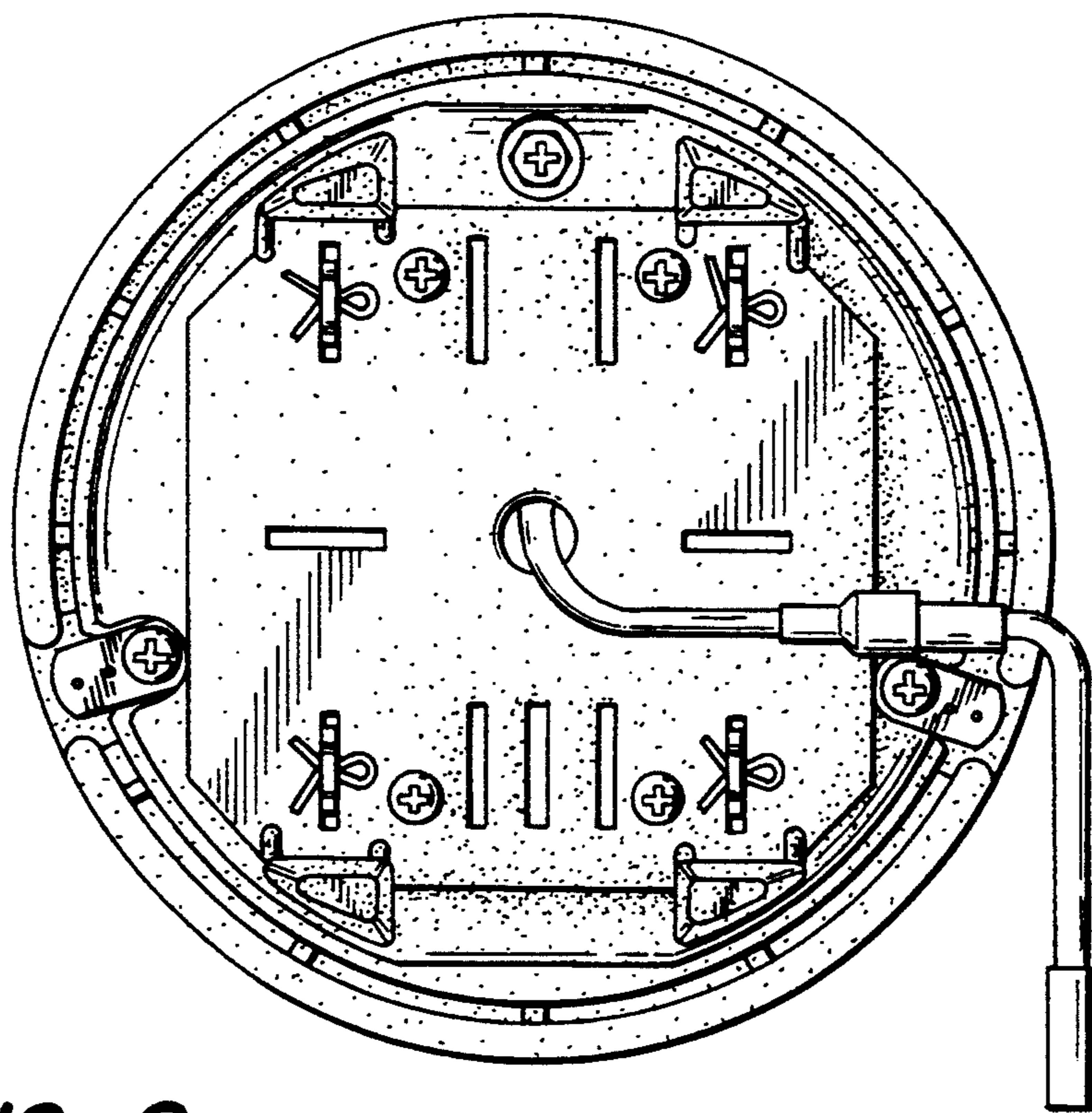


FIG-2

FIG-4

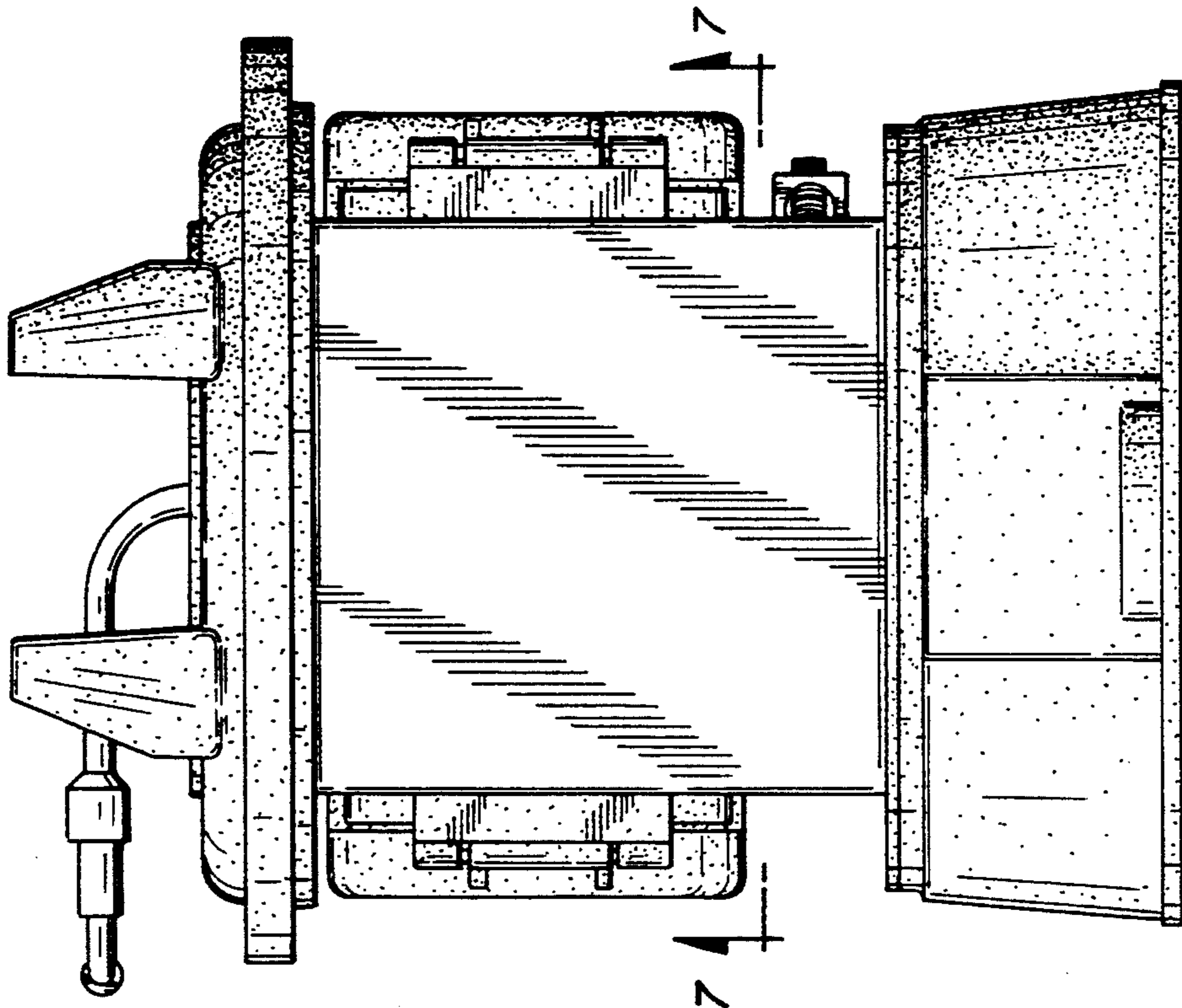
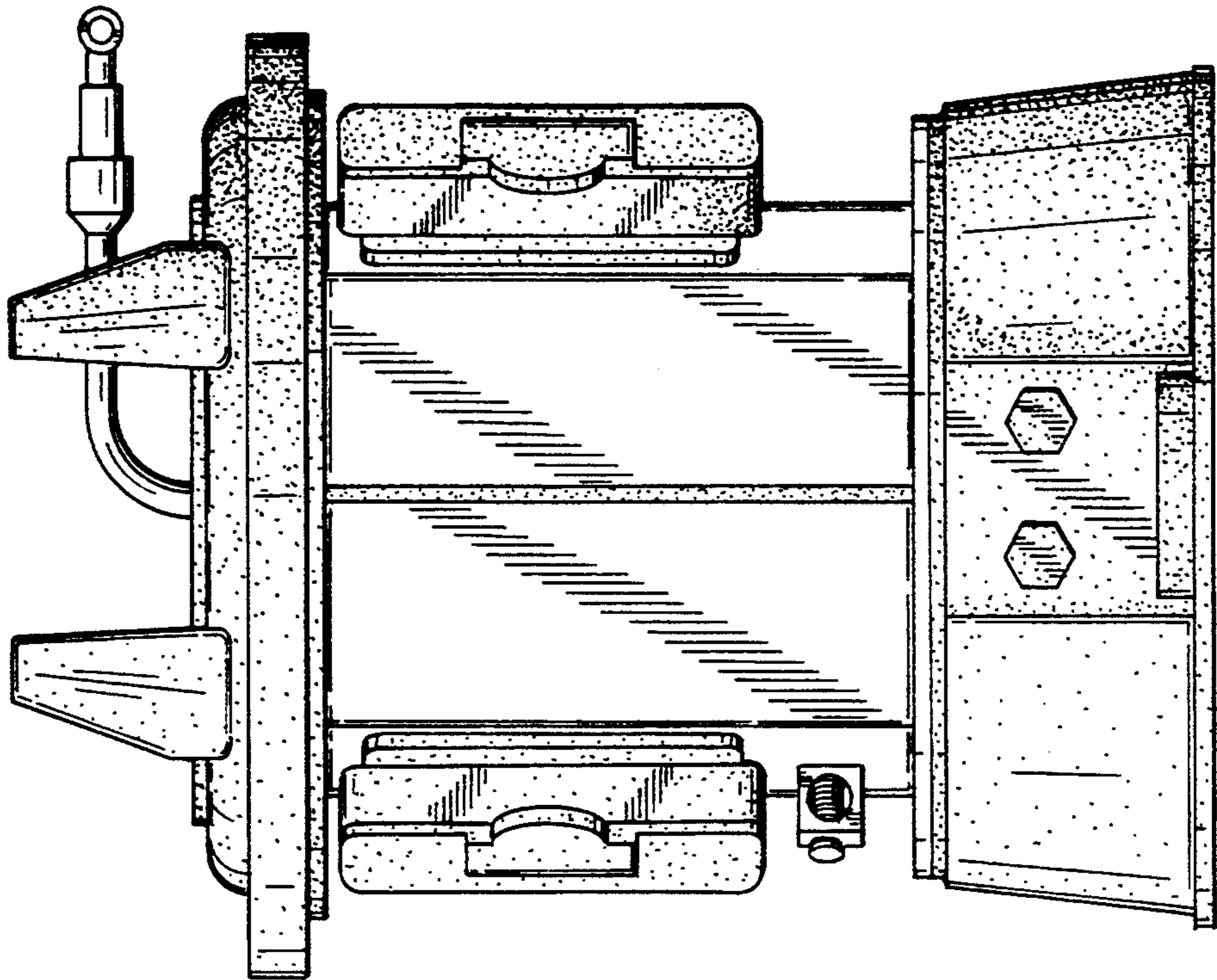


FIG-3

FIG-5

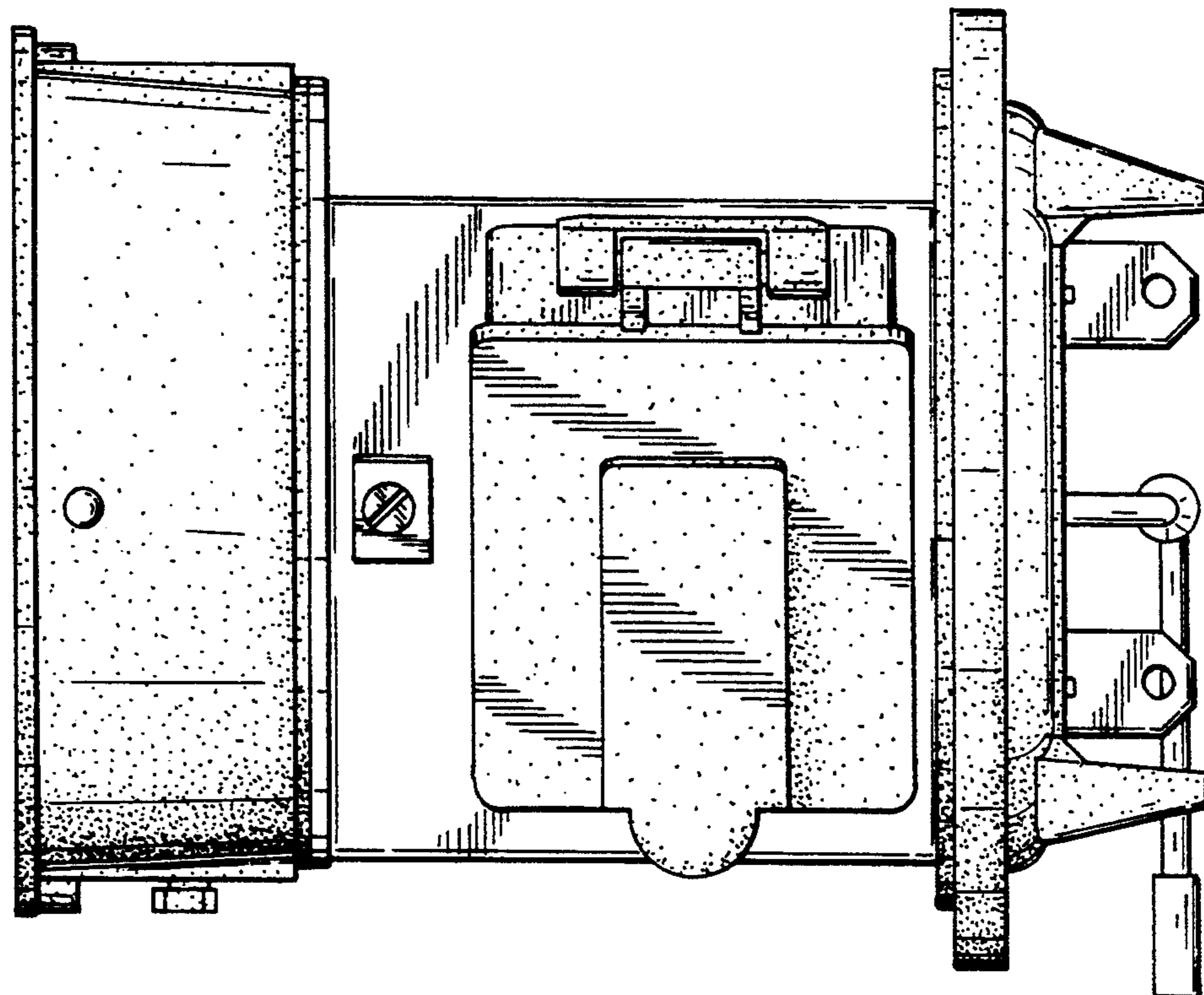
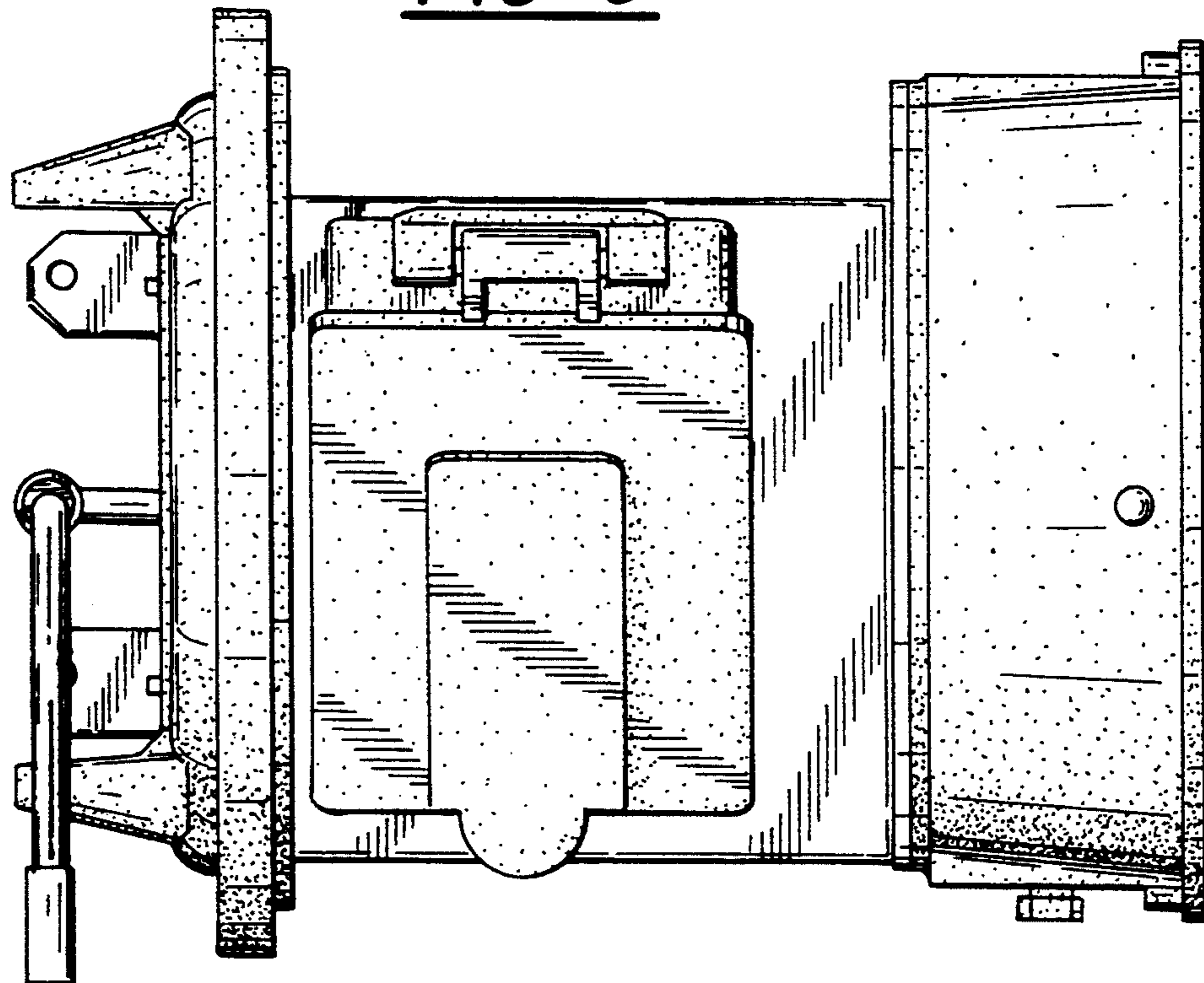


FIG-6



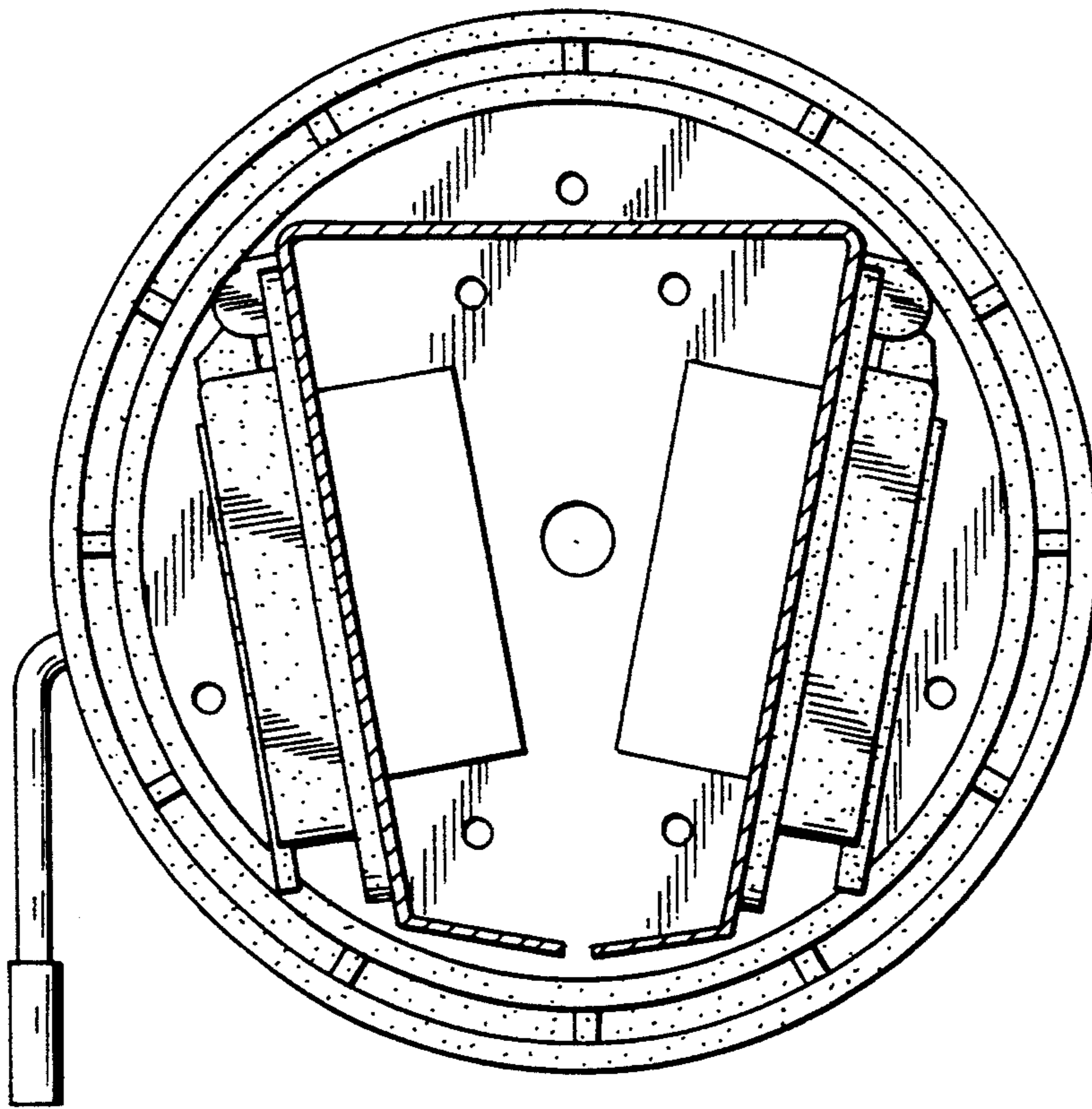


FIG-7