



US00D349684S

United States Patent [19] Yair

[11] Patent Number: Des. 349,684

[45] Date of Patent: ** Aug. 16, 1994

[54] ELECTRICAL TERMINAL

[75] Inventor: John Yair, Hagley, England

[73] Assignee: Cliff Electronic Components Limited,
Surrey, Great Britain

[**] Term: 14 Years

[21] Appl. No.: 3,972

[22] Filed: Jan. 22, 1993

[30] Foreign Application Priority Data

Jul. 22, 1992 [GB] United Kingdom 2,024487

[52] U.S. Cl. D13/133

[58] Field of Search 439/345, 395, 692, 694,
439/763, 764, 771, 810, 814, 854, 855, 866;
D13/133, 149, 151

[56] References Cited

U.S. PATENT DOCUMENTS

- D. 161,030 11/1950 Littlejohn D13/149
- D. 203,270 12/1965 Bell D13/151 X
- D. 271,196 11/1983 Tetreault D13/149
- 2,680,774 6/1954 Hoffman et al. 439/345 X
- 4,365,861 12/1982 Gore 439/810 X

- 5,006,077 4/1991 Loose et al. 439/395 X
- 5,108,620 4/1992 Kimber D13/133 X

FOREIGN PATENT DOCUMENTS

- 1036107 9/1953 France 439/692

Primary Examiner—Wallace R. Burke

Assistant Examiner—Joel Sincavage

[57] CLAIM

The ornamental design for an electrical terminal, as shown and described.

DESCRIPTION

FIG. 1 is a perspective view of an electrical terminal showing my new design;

FIG. 2 is a front elevation view thereof;

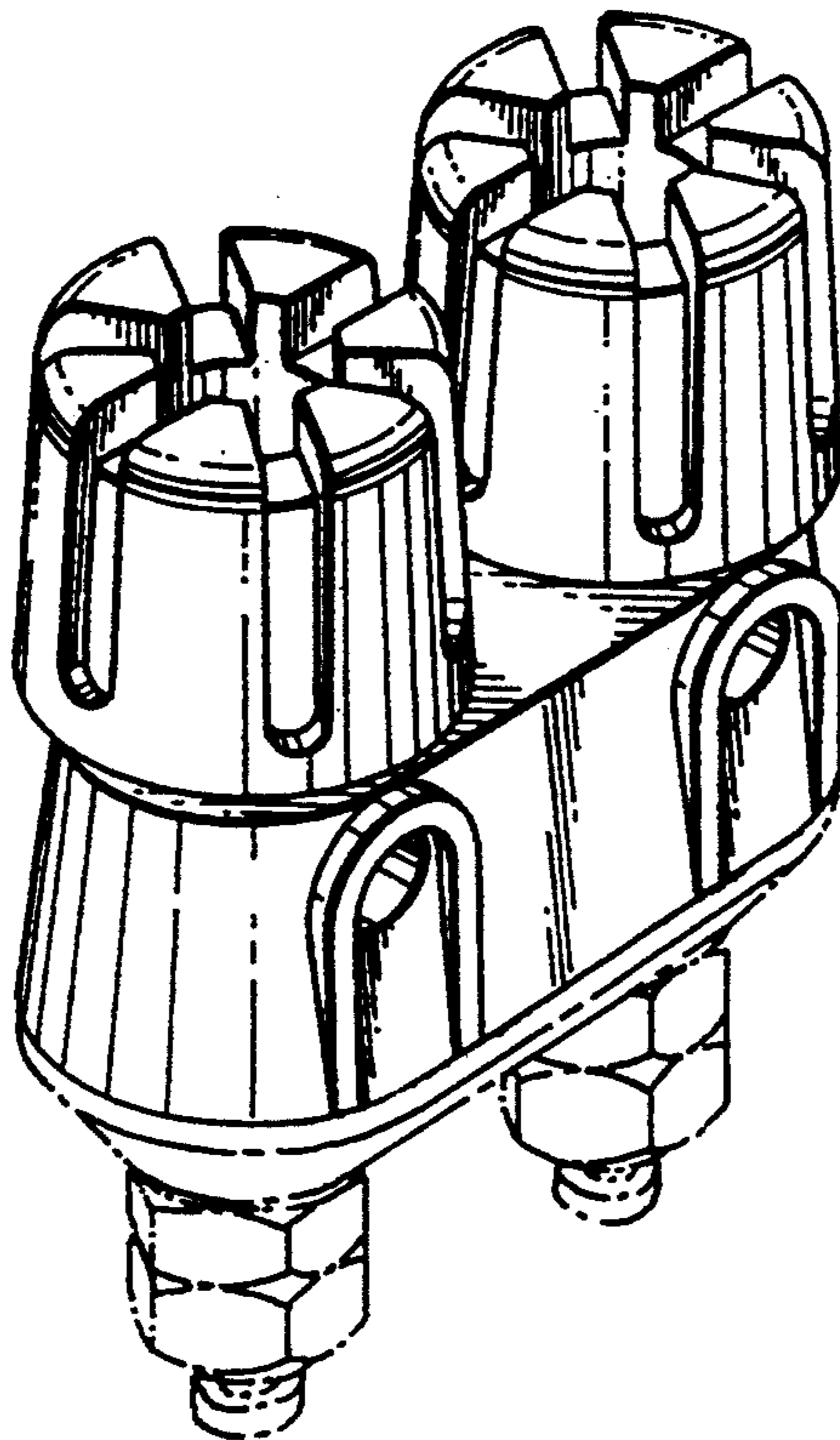
FIG. 3 is a top plan view thereof;

FIG. 4 is a side elevation view thereof, the side opposite being a mirror image to the side shown;

FIG. 5 is a bottom plan view thereof; and,

FIG. 6 is a rear elevation view thereof.

The broken line showing throughout the drawing disclosure is included for the purpose of illustrating environmental structure only and forms no part of the claimed design.



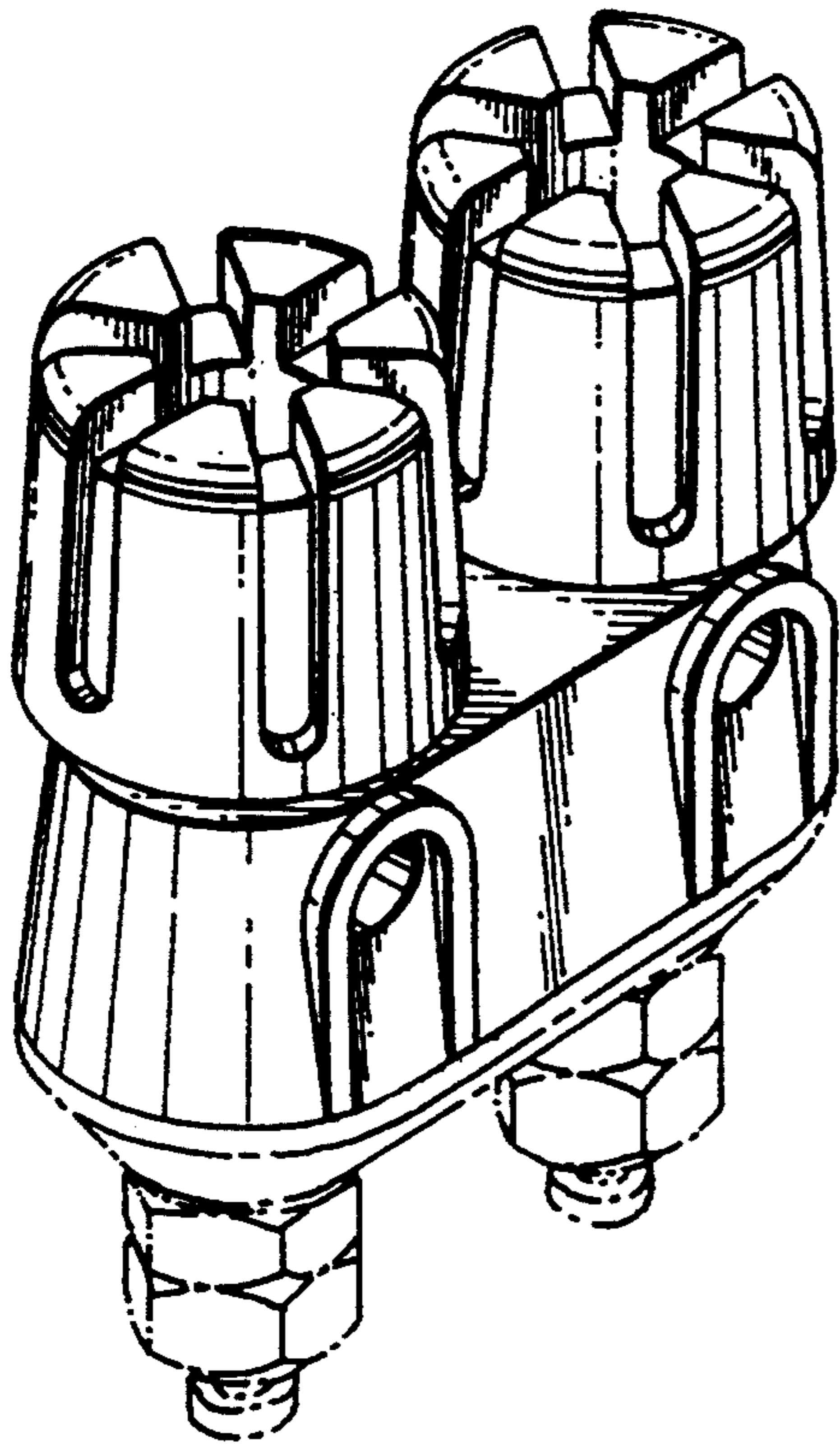


FIG. 1

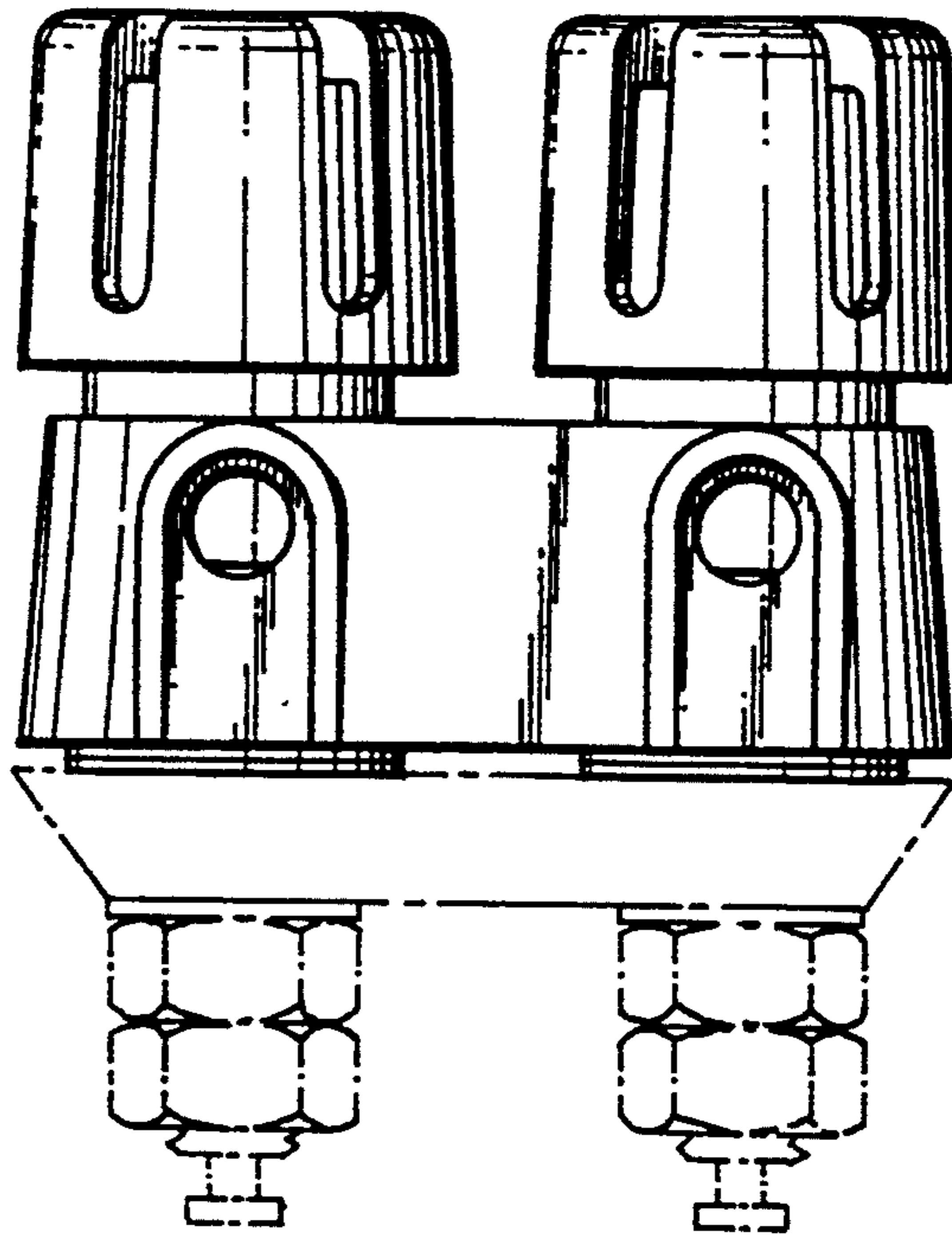


FIG. 2

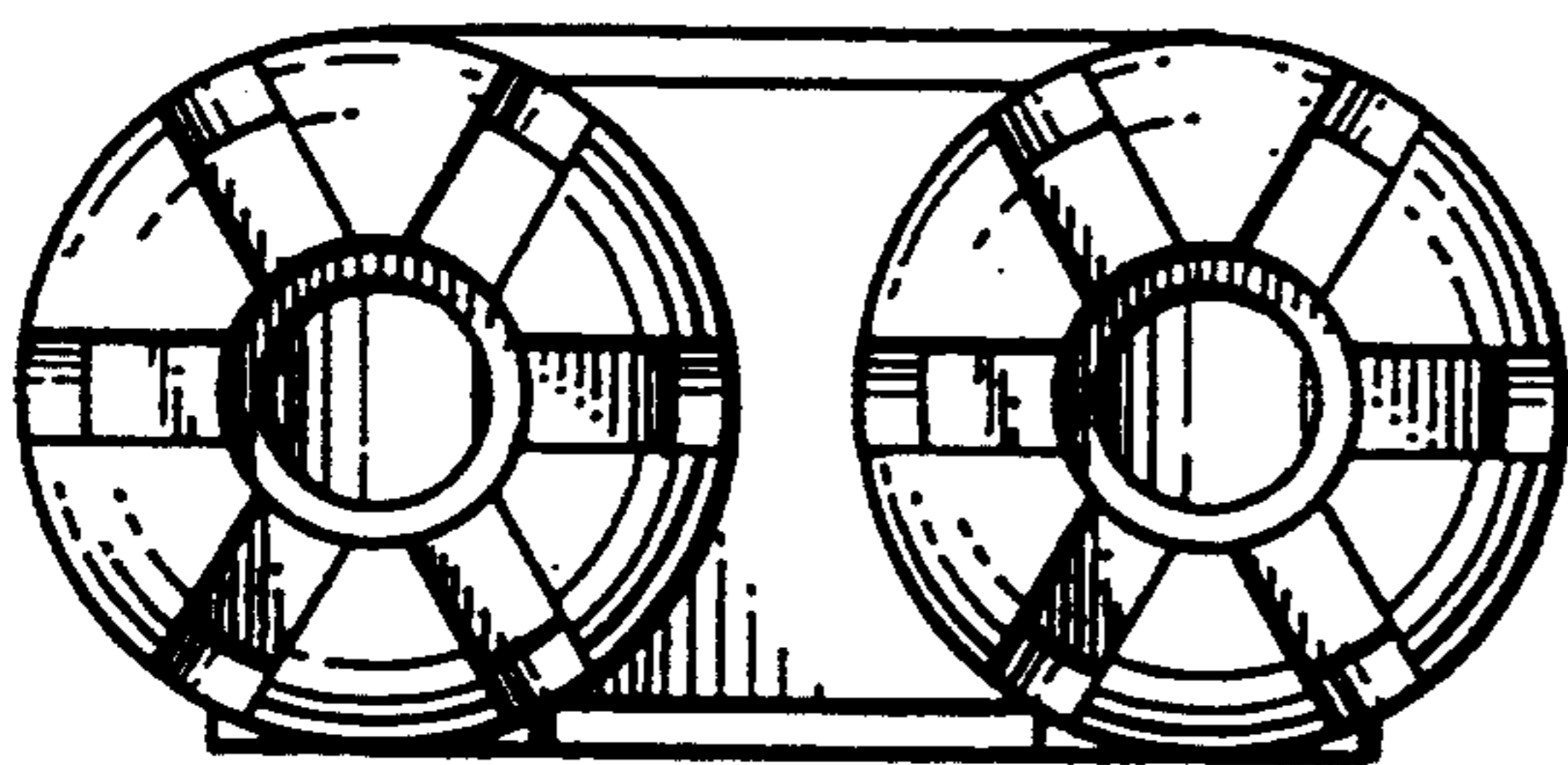


FIG. 3

FIG. 4

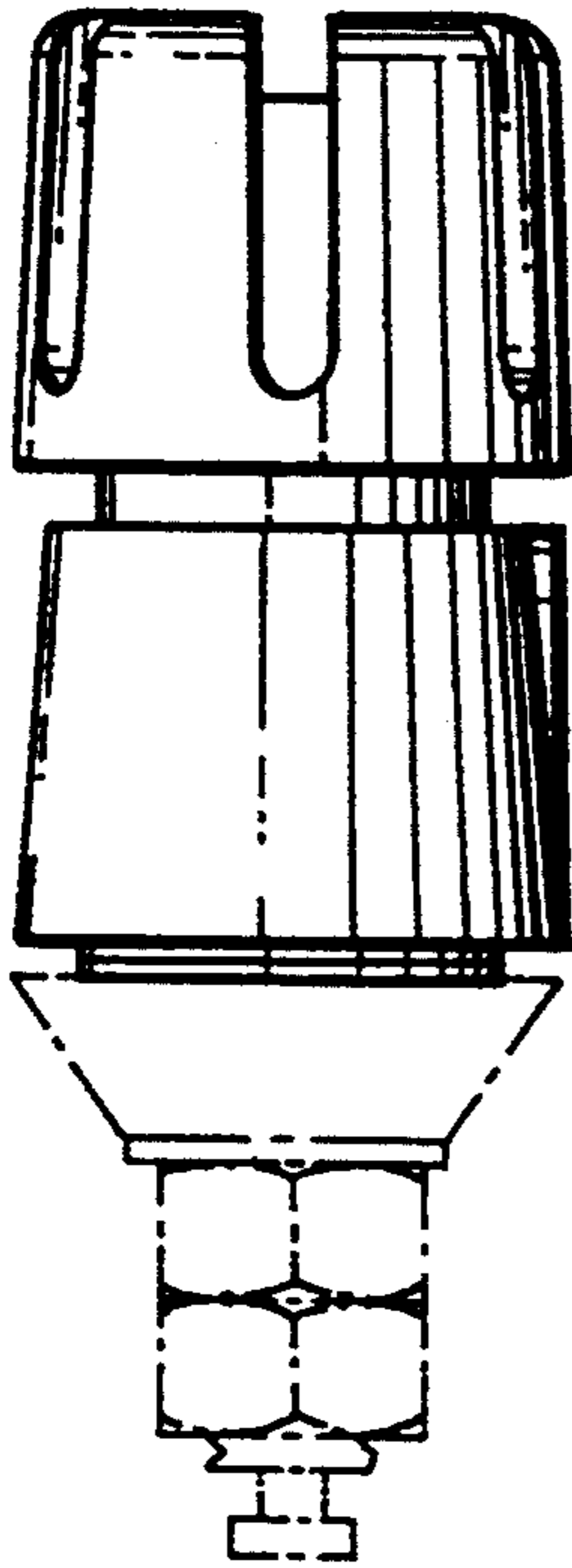


FIG. 5

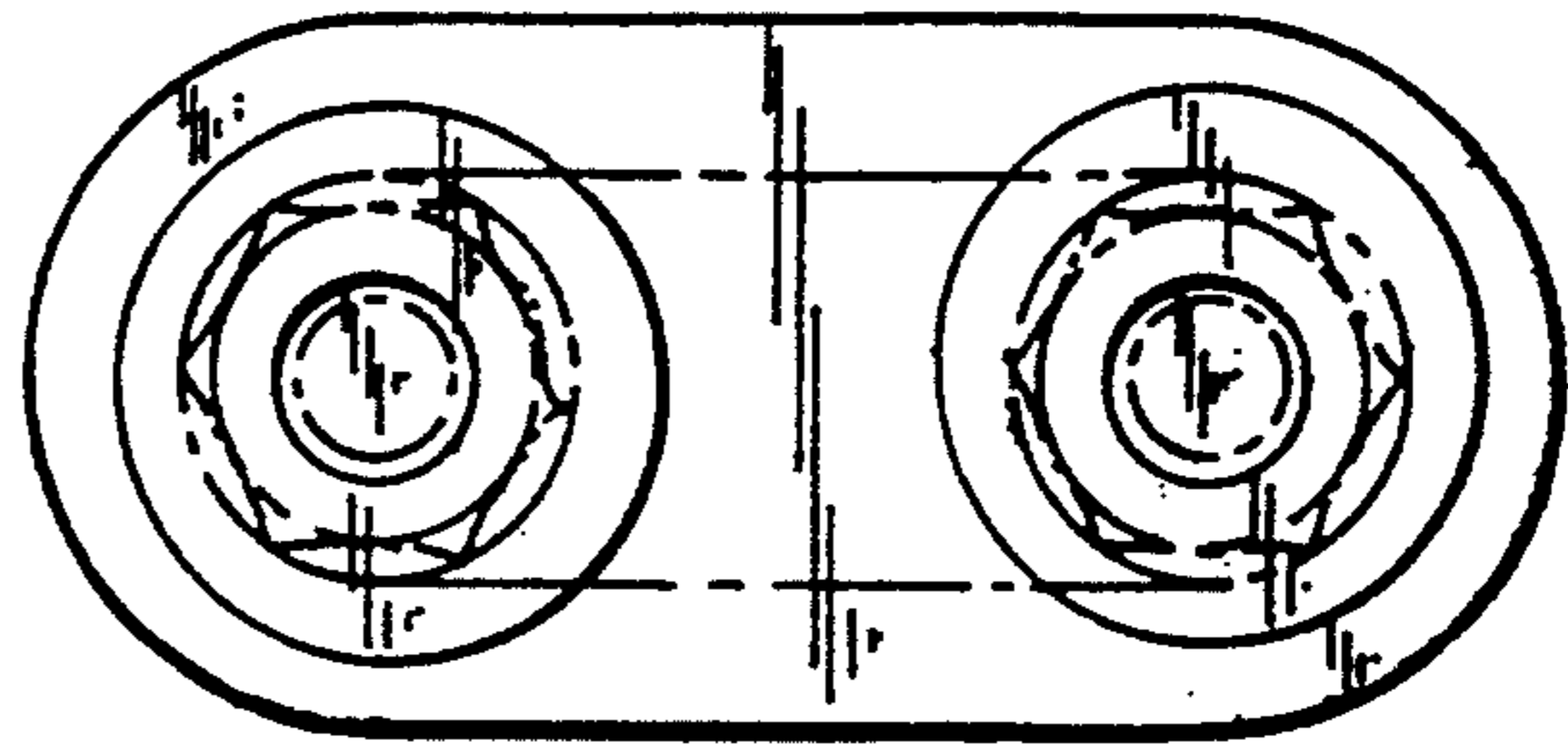


FIG. 6

