



US00D349682S

United States Patent [19]

Hunziker

[11] Patent Number: Des. 349,682

[45] Date of Patent: ** Aug. 16, 1994

[54] POWER CONVERTER CASING

[75] Inventor: **Hansjuerg Hunziker**, Embrach, Switzerland

[73] Assignee: **Melcher AG**, Uster, Switzerland

[**] Term: **14 Years**

[21] Appl. No.: **6,912**

[22] Filed: **Apr. 8, 1993**

[52] U.S. Cl. **D13/110**

[58] Field of Search 363/15, 141, 144;
361/679, 688, 690, 707, 709, 728; D13/110, 123;
D14/107, 114

[56] References Cited

U.S. PATENT DOCUMENTS

D. 202,349	9/1965	Bisnett et al.	D13/110
D. 215,604	10/1969	Shmural et al.	D13/110
3,348,148	10/1967	Parsons et al.	361/688 X
4,716,499	12/1987	Bhargava	361/690 X
4,916,575	4/1990	Van Asten	361/707 X
4,953,058	8/1990	Harris	361/690

OTHER PUBLICATIONS

Vicor power supplies on p. 6 of *EDN* Nov. 7, 1991.
Kepeco power supplies on p. 175 of *EDN* Nov. 21, 1991.

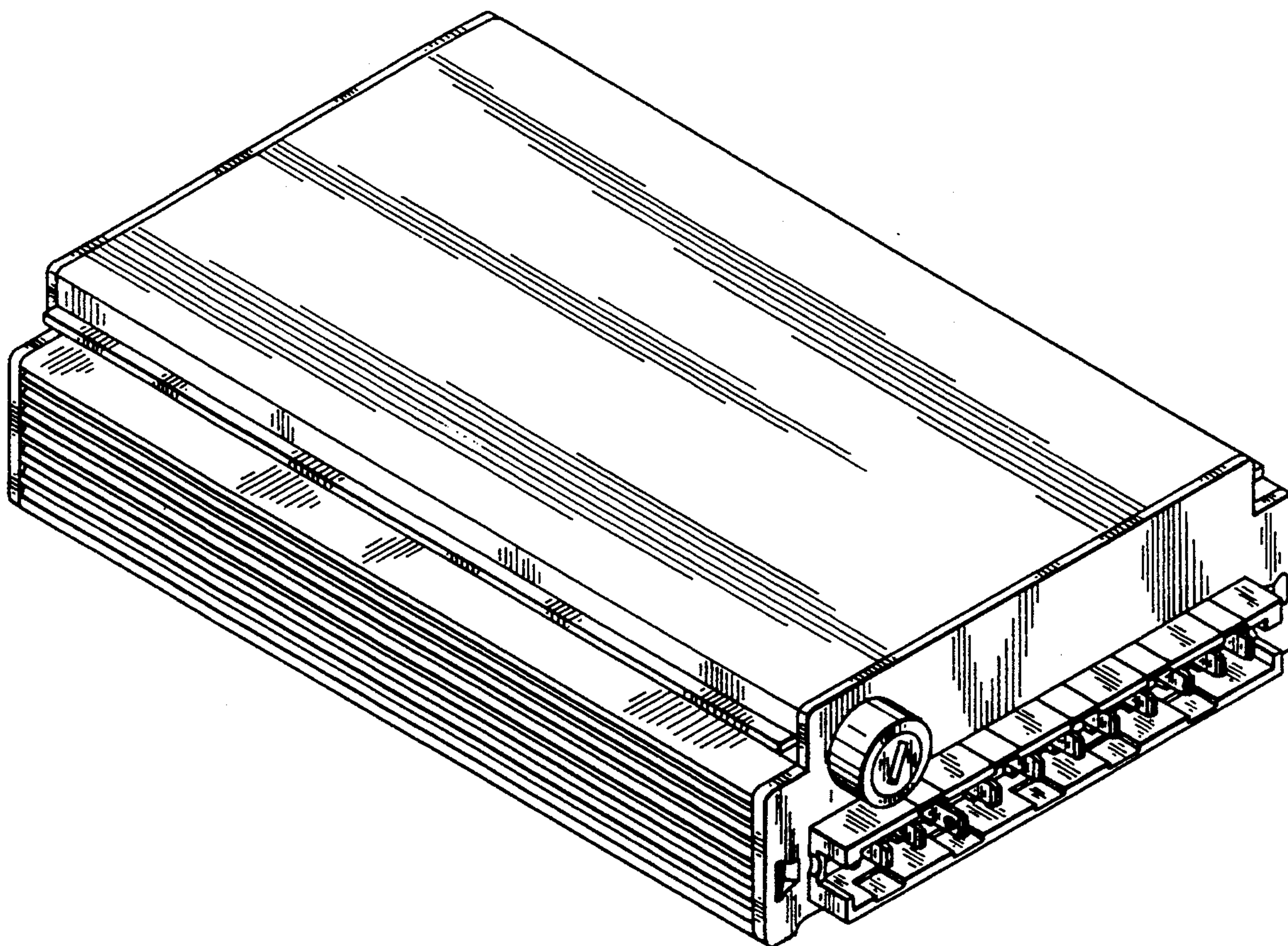
Primary Examiner—Wallace R. Burke
Assistant Examiner—Joel Sincavage
Attorney, Agent, or Firm—Johnson & Gibbs

[57] CLAIM

The ornamental design for the power converter casing, as shown and described.

DESCRIPTION

FIG. 1 is a perspective view of the power converter casing;
FIG. 2 is a side elevational view taken from the right side thereof of the power converter casing;
FIG. 3 is a front elevational view which is identical to the rear elevational view of the power converter casing;
FIG. 4 is a side elevational view taken from the left side thereof of the power converter casing;
FIG. 5 is a top plan view of the power converter casing; and,
FIG. 6 is a bottom plan view of the power converter casing.



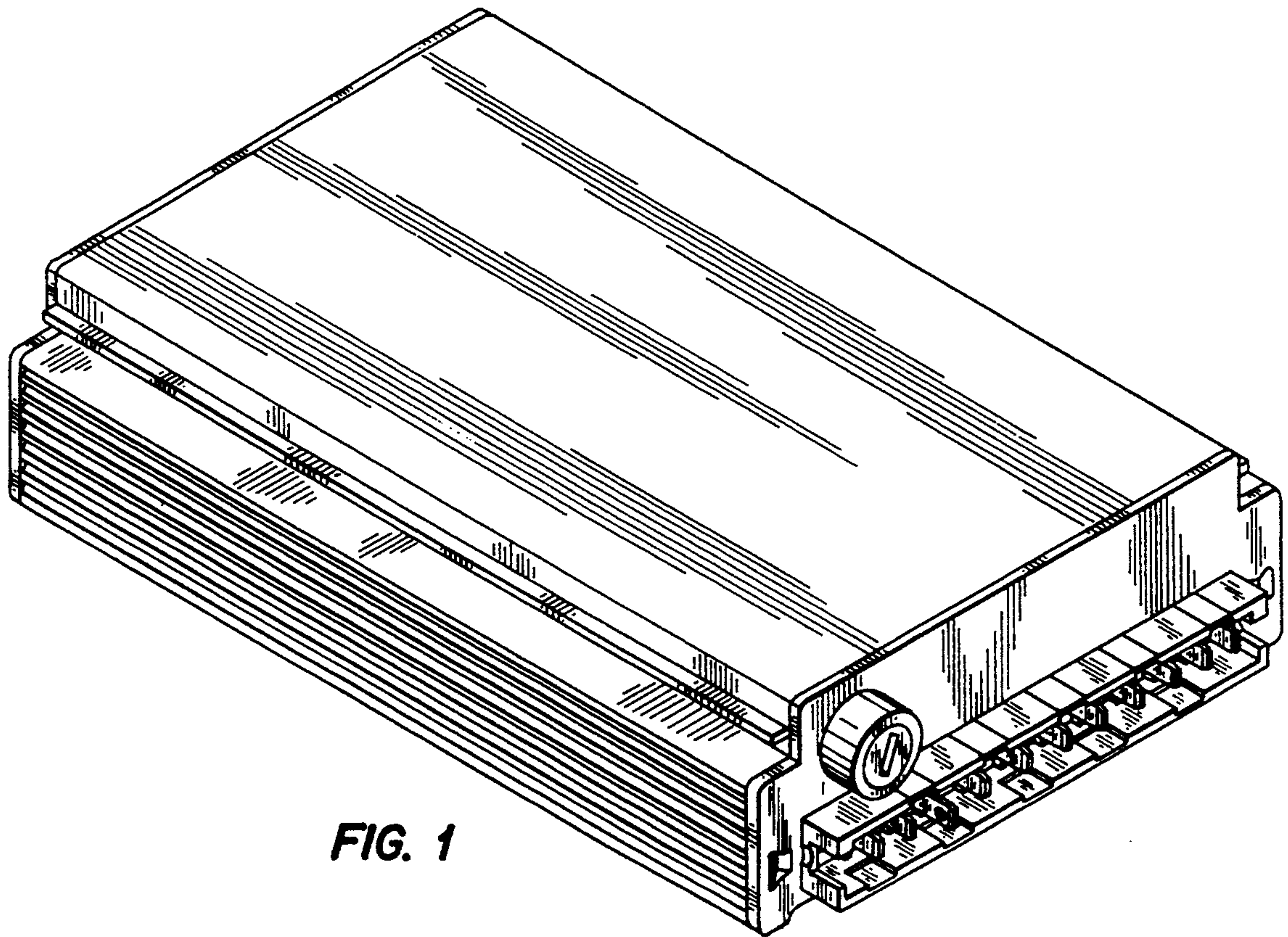


FIG. 1

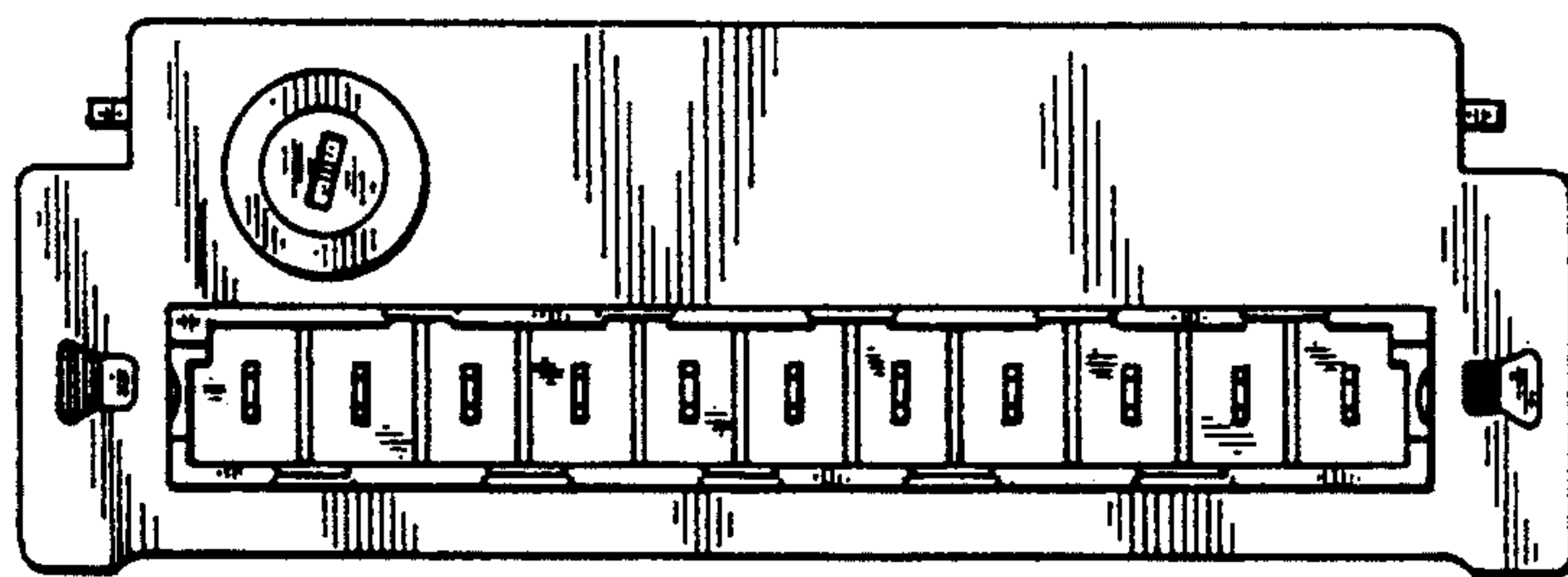


FIG. 2

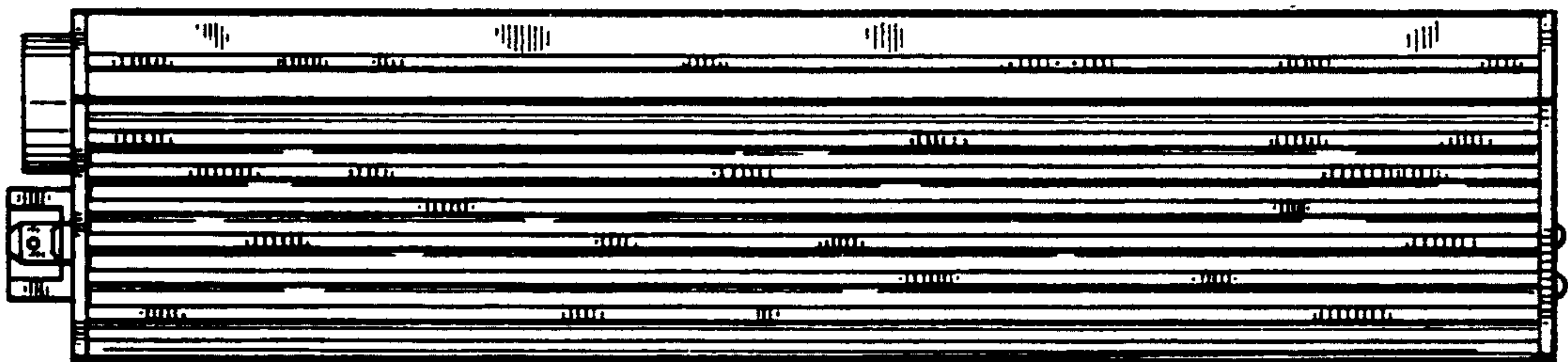


FIG. 3

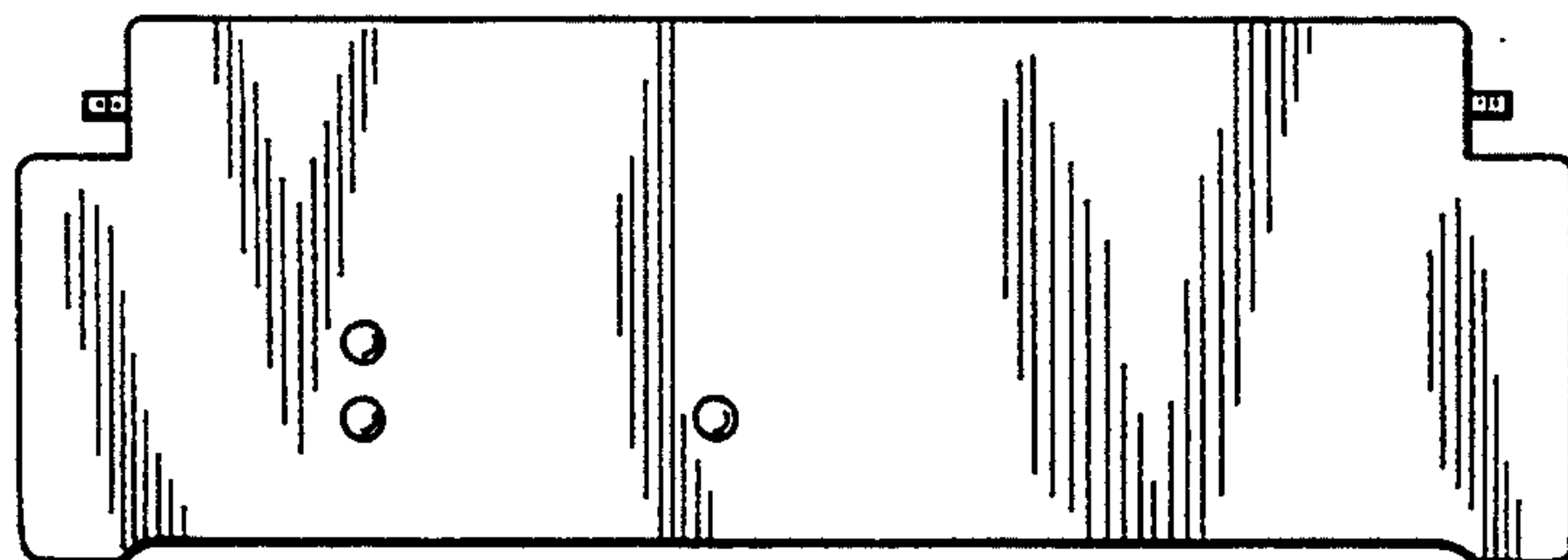


FIG. 4

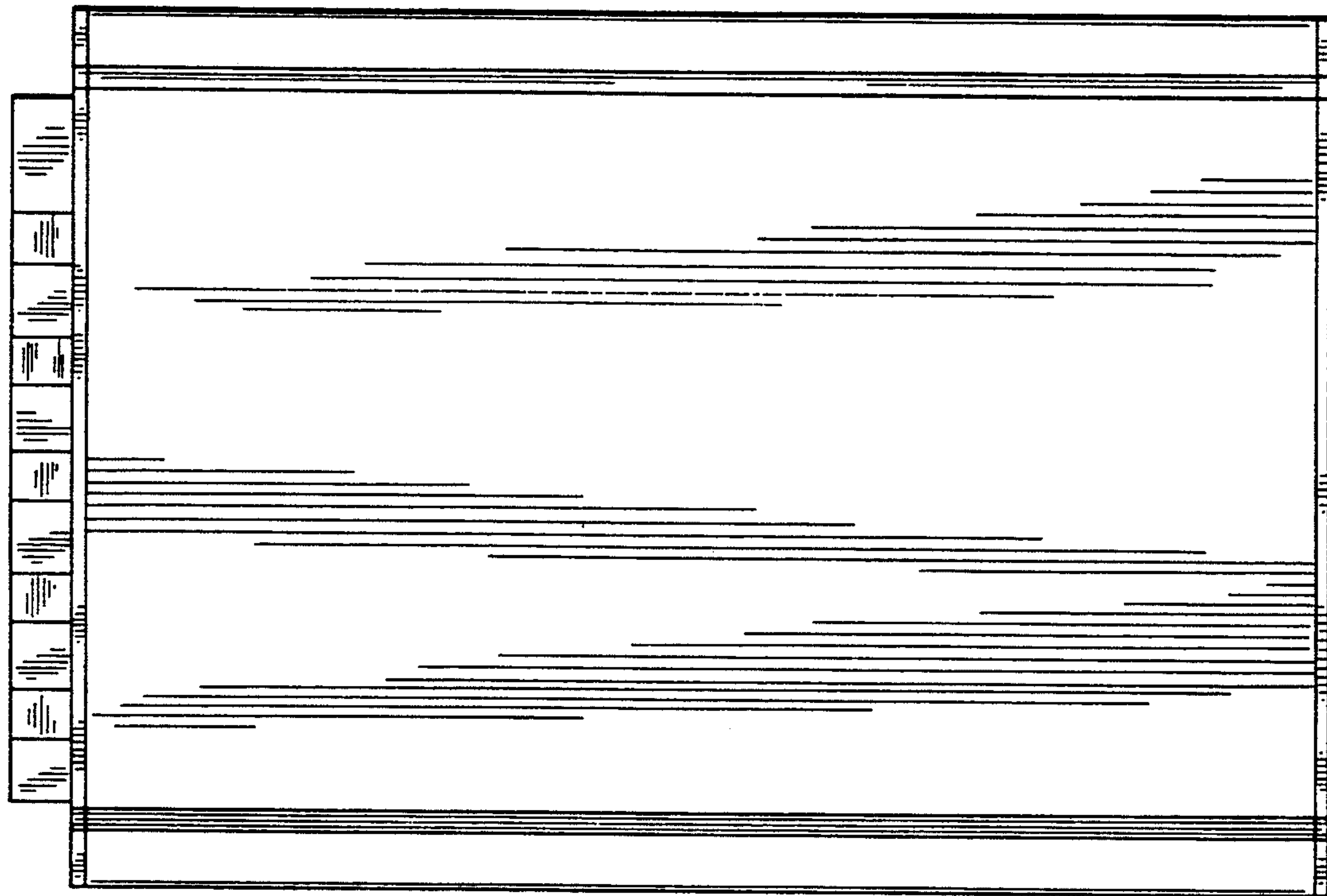


FIG. 6

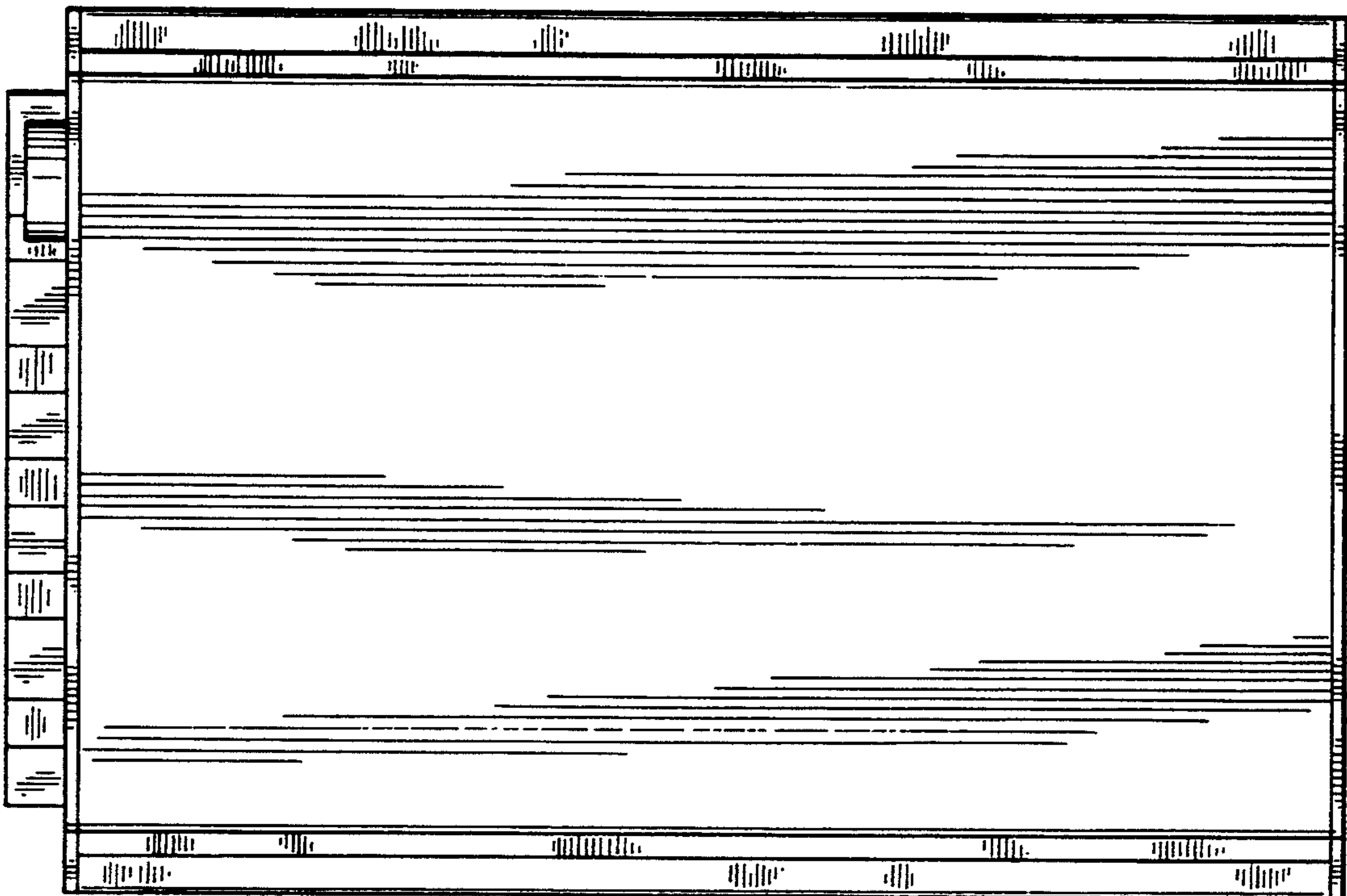


FIG. 5