



US00D349681S

# United States Patent [19]

Siddoway et al.

[11] Patent Number: **Des. 349,681**

[45] Date of Patent: **\*\* Aug. 16, 1994**

- [54] **BATTERY HOUSING FOR A PORTABLE RADIO**
- [75] Inventors: **Craig Siddoway, Davie; James Tracy, Margate, both of Fla.**
- [73] Assignee: **Motgorola, Inc., Schaumburg, Ill.**
- [\*\*] Term: **14 Years**
- [21] Appl. No.: **10,591**
- [22] Filed: **Jun. 21, 1993**

### Related U.S. Application Data

- [63] Continuation of Ser. No. 765,863, Sep. 25, 1991, abandoned.
- [52] U.S. Cl. .... **D13/103**
- [58] Field of Search ..... 379/413, 428, 440, 441, 379/442; 320/2; 429/96, 97, 99, 100, 123, 163, 178; D13/103

[56] **References Cited**  
**U.S. PATENT DOCUMENTS**

- D. 236,492 8/1975 Helgesson ..... D13/103
- D. 329,040 9/1992 Seki et al. .... D13/103

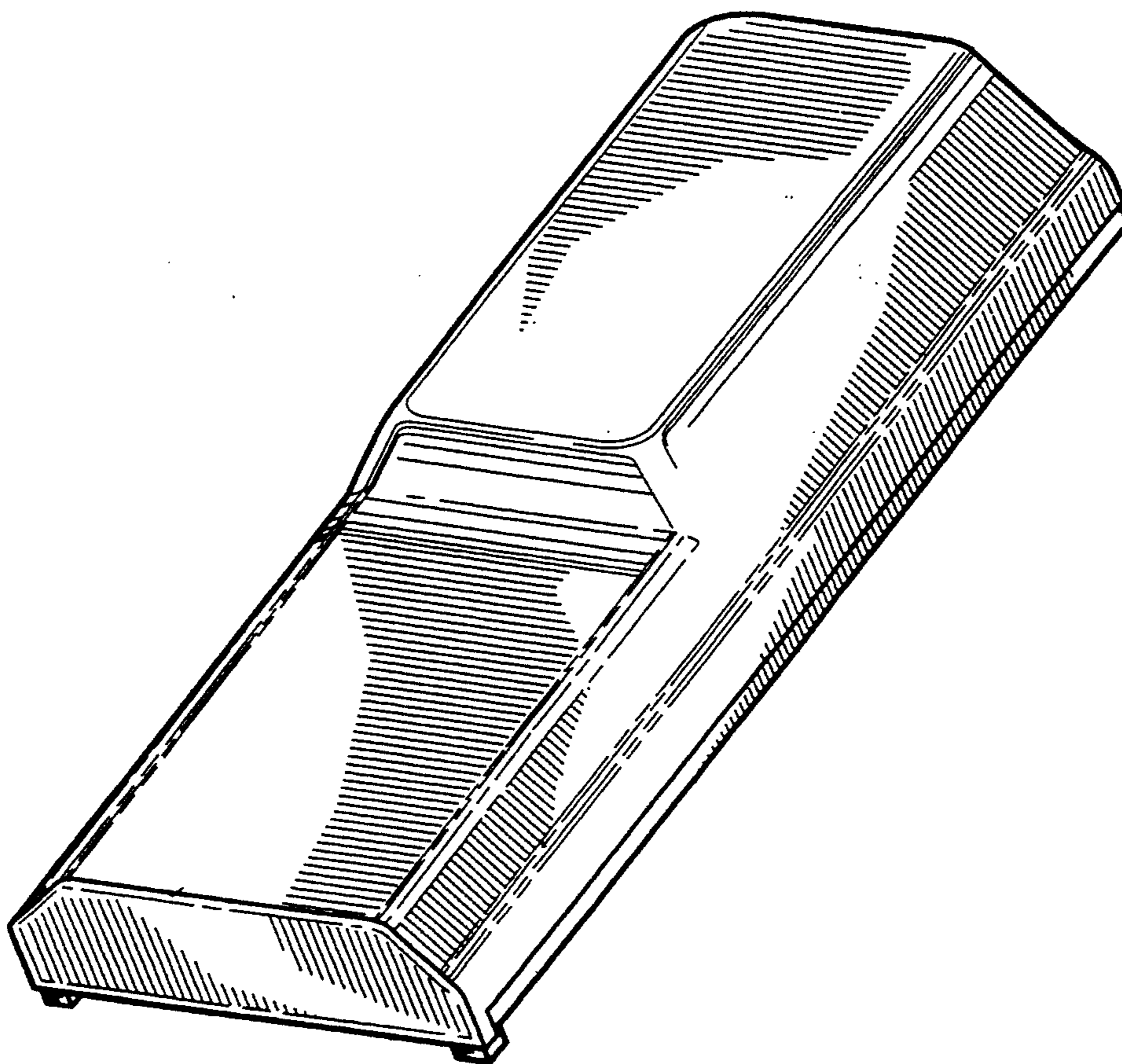
*Primary Examiner*—Wallace R. Burke  
*Assistant Examiner*—Joel Sincavage  
*Attorney, Agent, or Firm*—Donald B. Southard

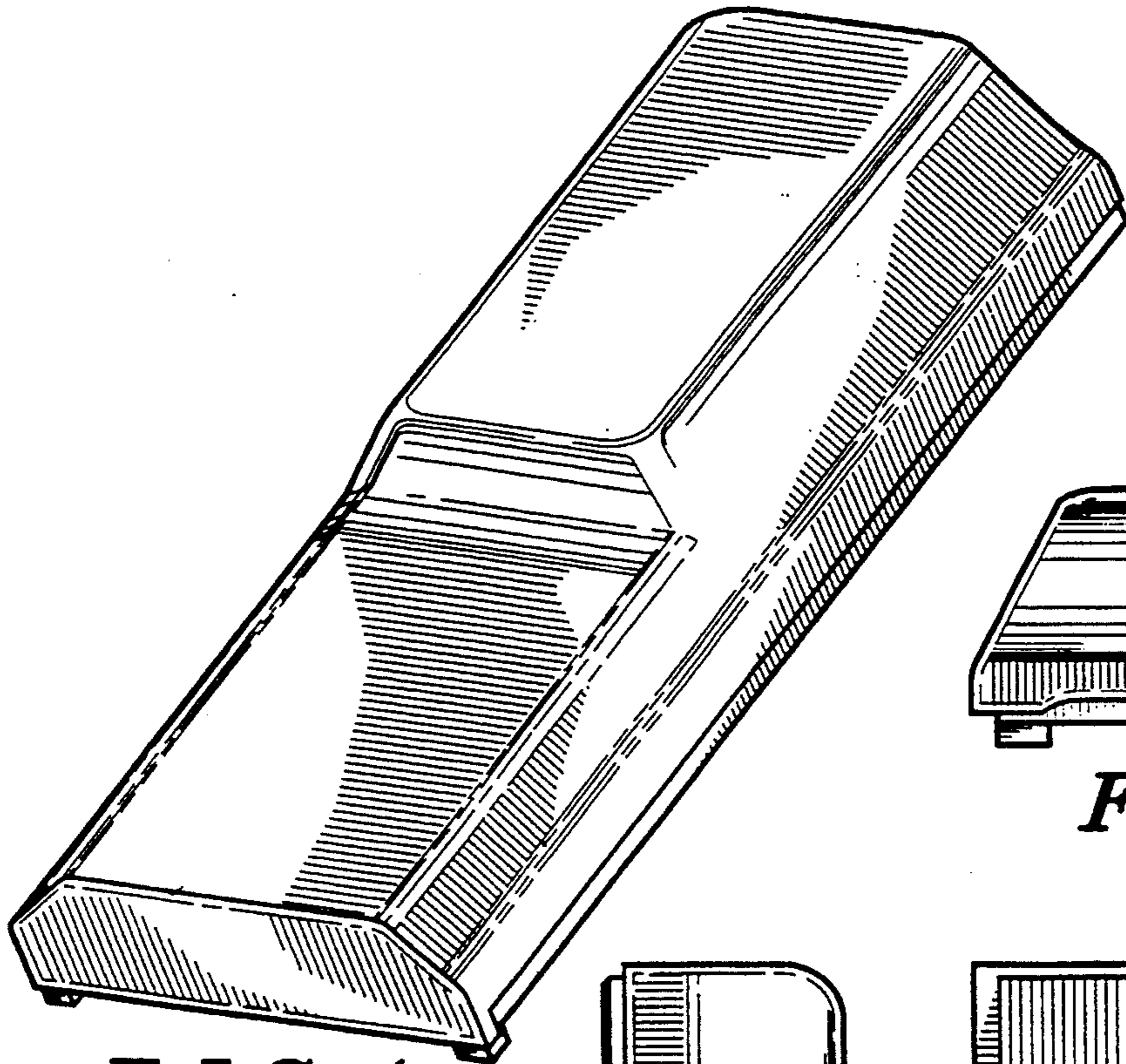
### [57] CLAIM

The ornamental design for a battery housing for a portable radio, as shown and described.

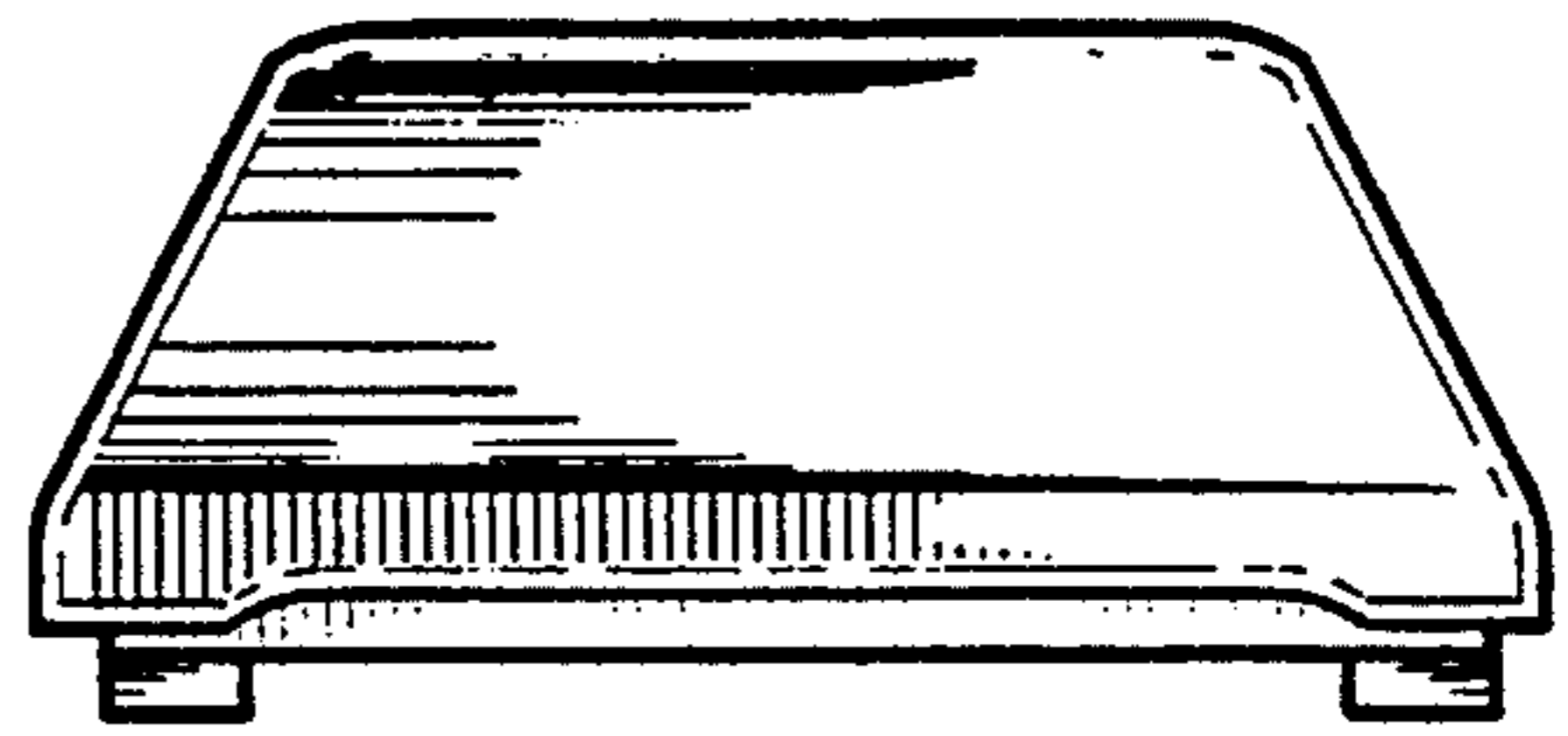
### DESCRIPTION

FIG. 1 is a front-right-bottom perspective view of the claimed design;  
 FIG. 2 is a left side elevational view thereof;  
 FIG. 3 is a top plan view thereof; and,  
 FIG. 4 is a rear elevational view thereof.

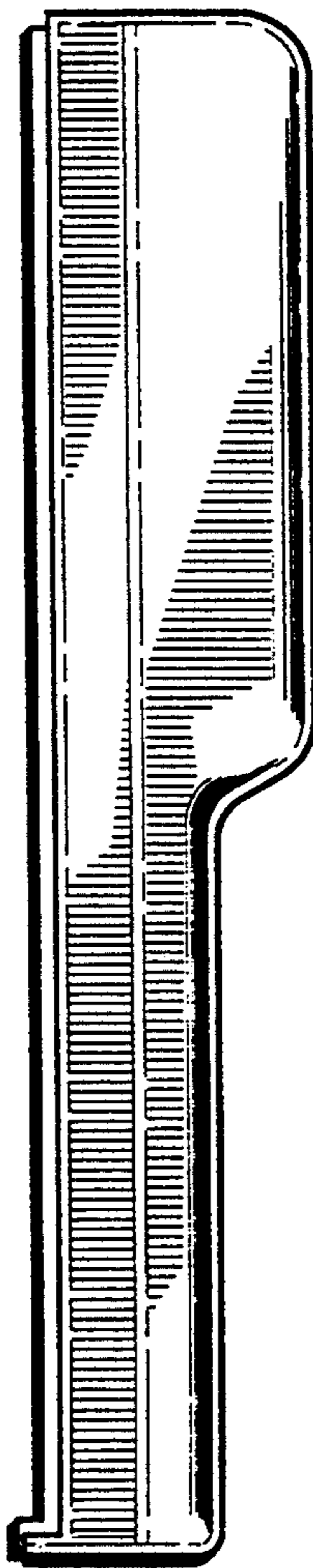




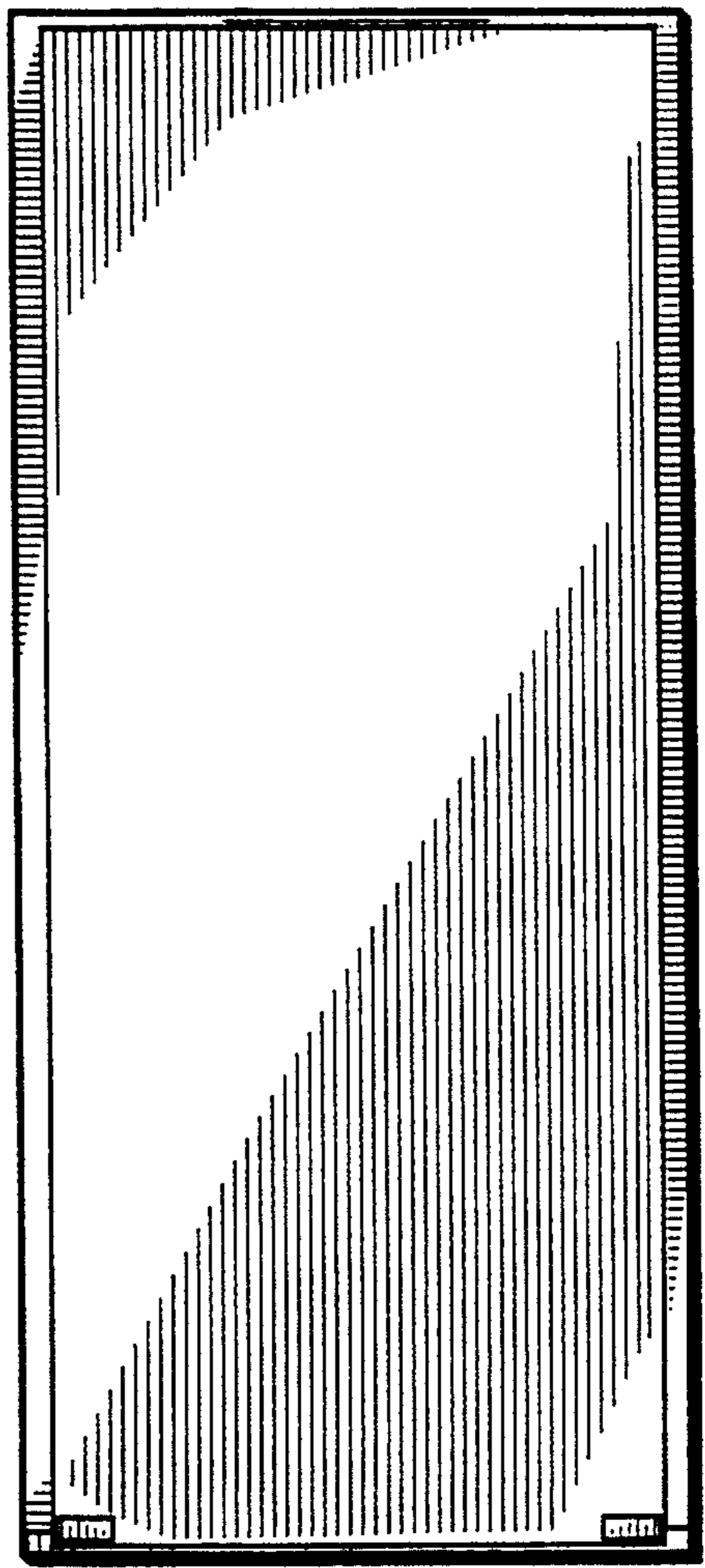
*FIG. 1*



*FIG. 3*



*FIG. 2*



*FIG. 4*