



US00D349680S

# United States Patent [19] Powell

[11] Patent Number: **Des. 349,680**

[45] Date of Patent: **\*\* Aug. 16, 1994**

## [54] TRUCK BED TOOL BOX

[76] Inventor: **Richard E. Powell**, 4904 Kirk St.,  
Gillette, Wyo. 82716

[\*\*] Term: **14 Years**

[21] Appl. No.: **9,583**

[22] Filed: **Jun. 18, 1993**

[52] U.S. Cl. .... **D12/406**

[58] Field of Search ..... 224/273, 42.11, 42.42,  
224/309; 296/37.6; D12/157

## [56] References Cited

### U.S. PATENT DOCUMENTS

D. 305,315	1/1990	Fletcher	.....	D12/157
3,727,971	4/1973	Sisler	.....	296/37.6
4,705,317	11/1987	Henri	.....	296/37.6
5,080,250	1/1992	Dickenson	.....	224/42.42
5,083,829	1/1992	Fonseca	.....	224/42.42
5,088,636	2/1992	Barajas	.....	224/42.42

## OTHER PUBLICATIONS

American Van Equipment, Inc. Catalog 22/Summer,  
1984, p. 21, Heavy Duty Side Mount Box, top left side  
of page.

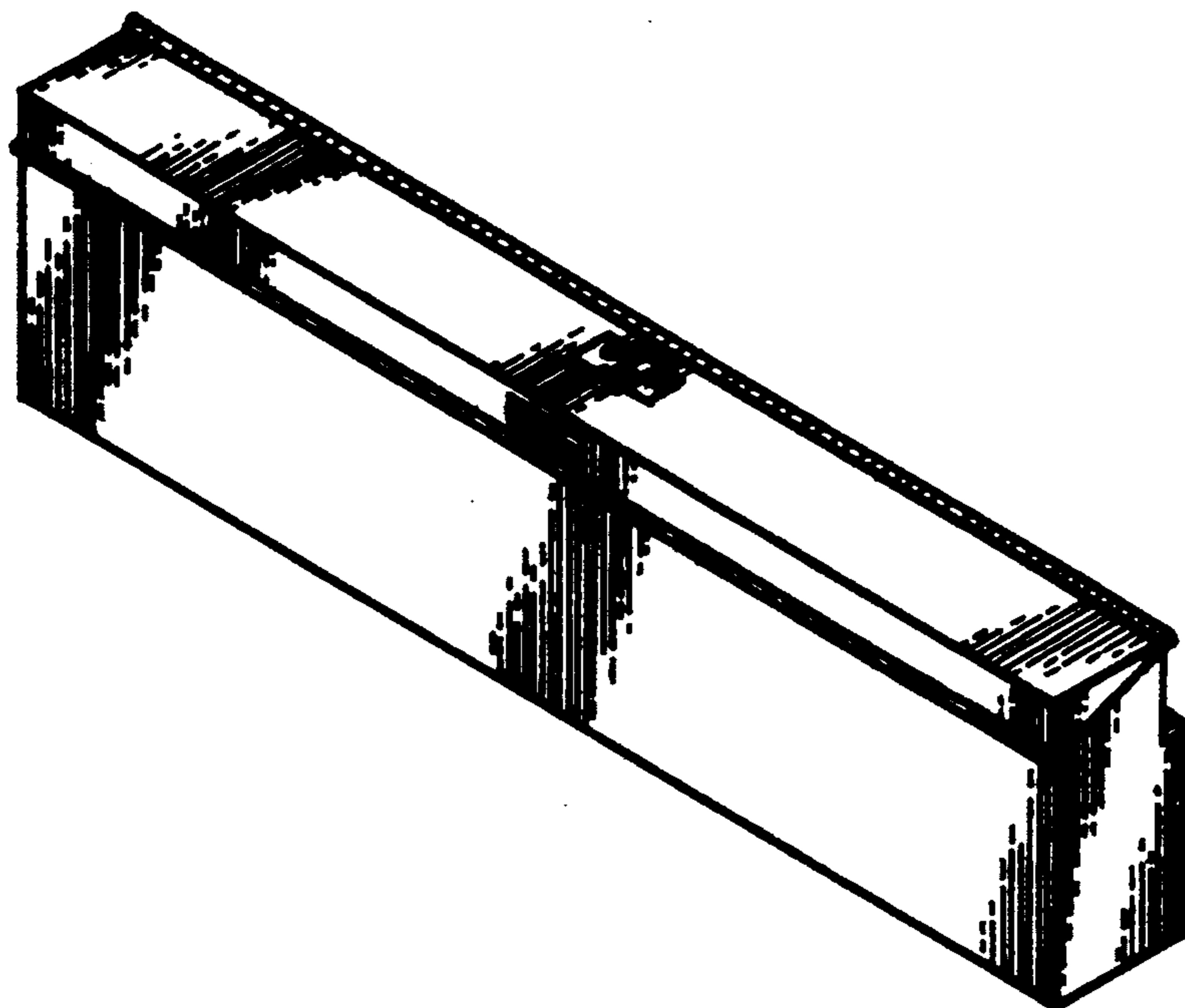
*Primary Examiner*—James M. Gandy  
*Attorney, Agent, or Firm*—Terry M. Gernstein

## [57] CLAIM

The ornamental design for a truck bed tool box, as  
shown and described.

## DESCRIPTION

FIG. 1 is a front, top and side perspective view of the  
truck bed tool box showing my new design;  
FIG. 2 is a front elevational view thereof;  
FIG. 3 is a rear elevational view thereof;  
FIG. 4 is a side elevational view thereof, the side oppo-  
site being a mirror image of the side shown in FIG. 4;  
FIG. 5 is a top plan view thereof; and,  
FIG. 6 is a bottom plan view thereof.



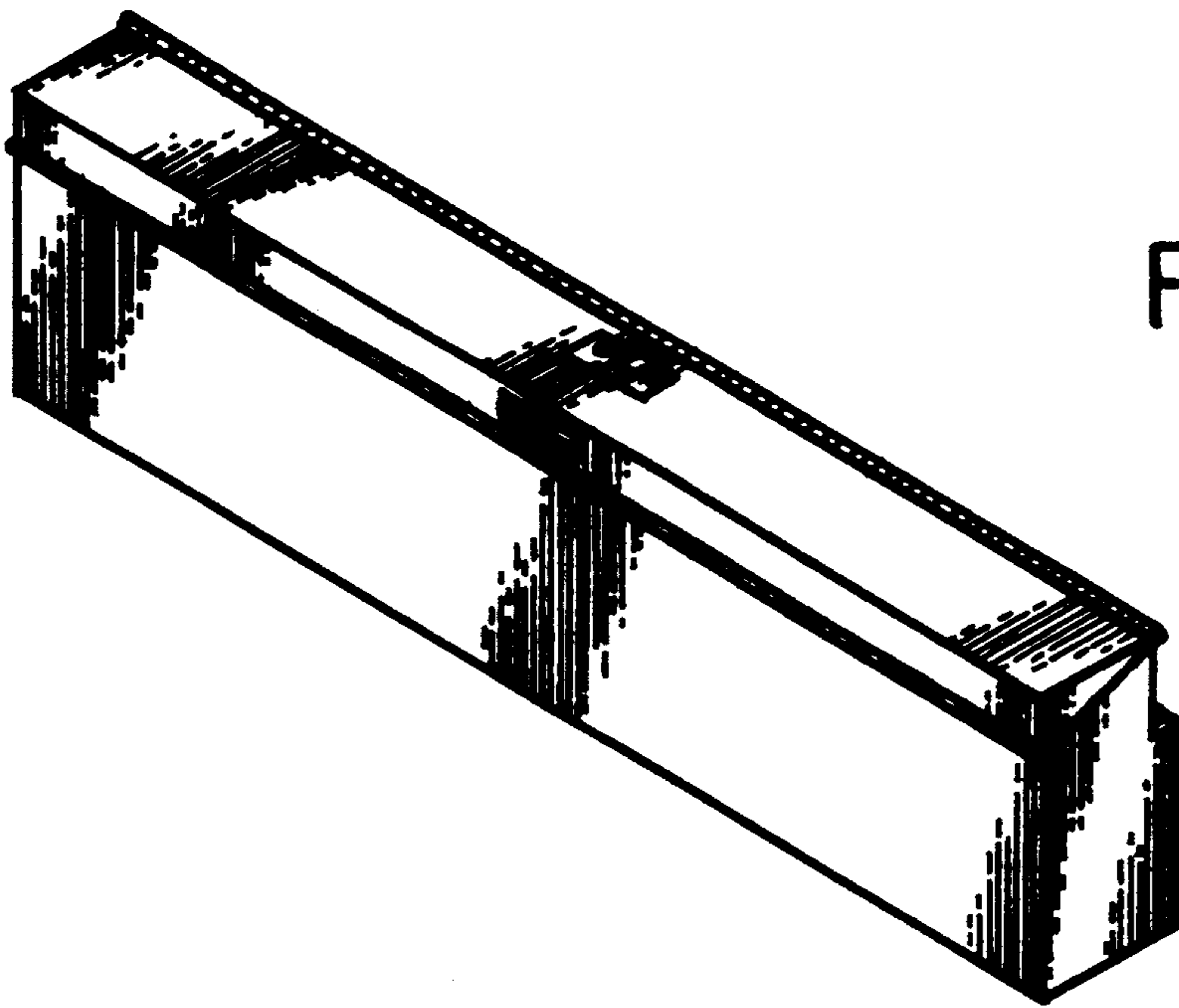


FIG. 1

FIG. 2

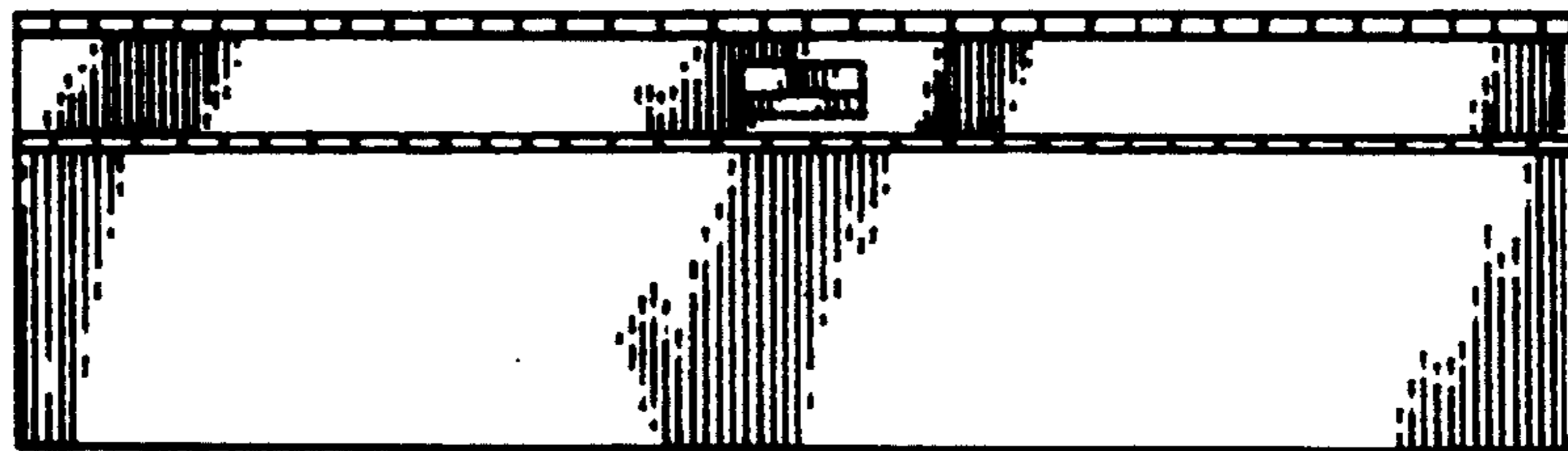


FIG. 3

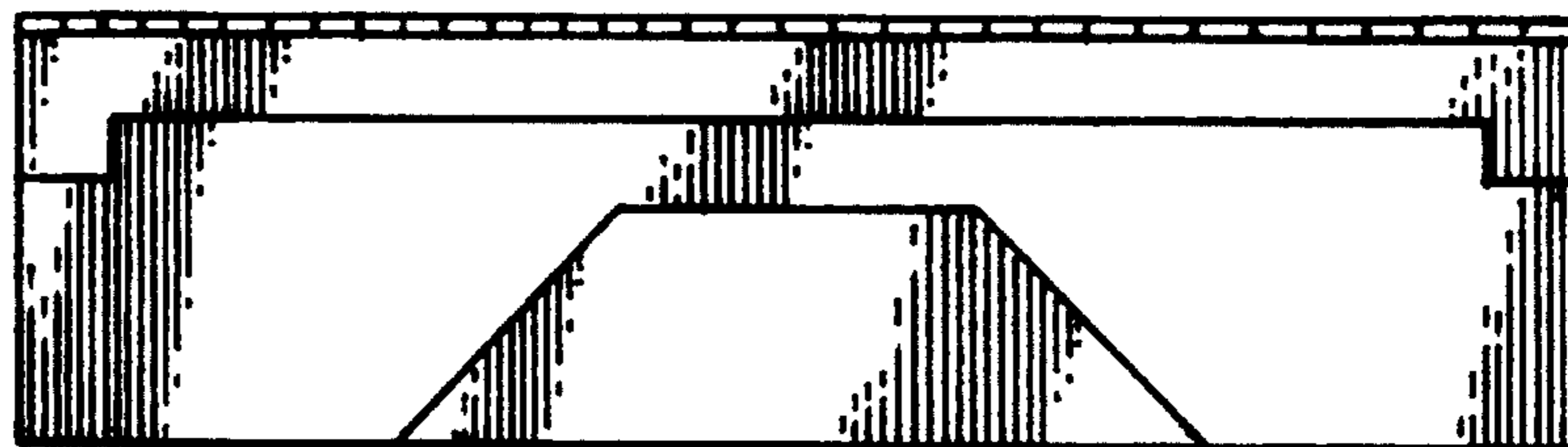


FIG. 4



FIG. 5



FIG. 6

