



US00D349678S

United States Patent [19]

Waddington et al.

[11] Patent Number: **Des. 349,678**

[45] Date of Patent: **** Aug. 16, 1994**

[54] **VEHICLE RUNNING BOARD**

[75] Inventors: **Donald R. Waddington**, Huntsville;
Robert J. Boulard, HammerBay,
both of Canada

[73] Assignee: **Algonquin Industries International,
Inc.**, Huntsville

[**] Term: **14 Years**

[21] Appl. No.: **7,313**

[22] Filed: **Apr. 19, 1993**

[52] U.S. Cl. **D12/203**

[58] Field of Search 280/848, 163, 164.1,
280/169; D12/203

4,203,611 5/1990 Makela 280/163
4,257,620 3/1981 Okland 280/153
4,451,063 5/1984 Snyder 280/163
4,557,494 12/1985 Elwell 280/164 R
4,934,721 6/1990 Flores 280/169

Primary Examiner—James M. Gandy
Attorney, Agent, or Firm—Harness, Dickey & Pierce

[57] CLAIM

The ornamental design for a vehicle running board, as shown and described.

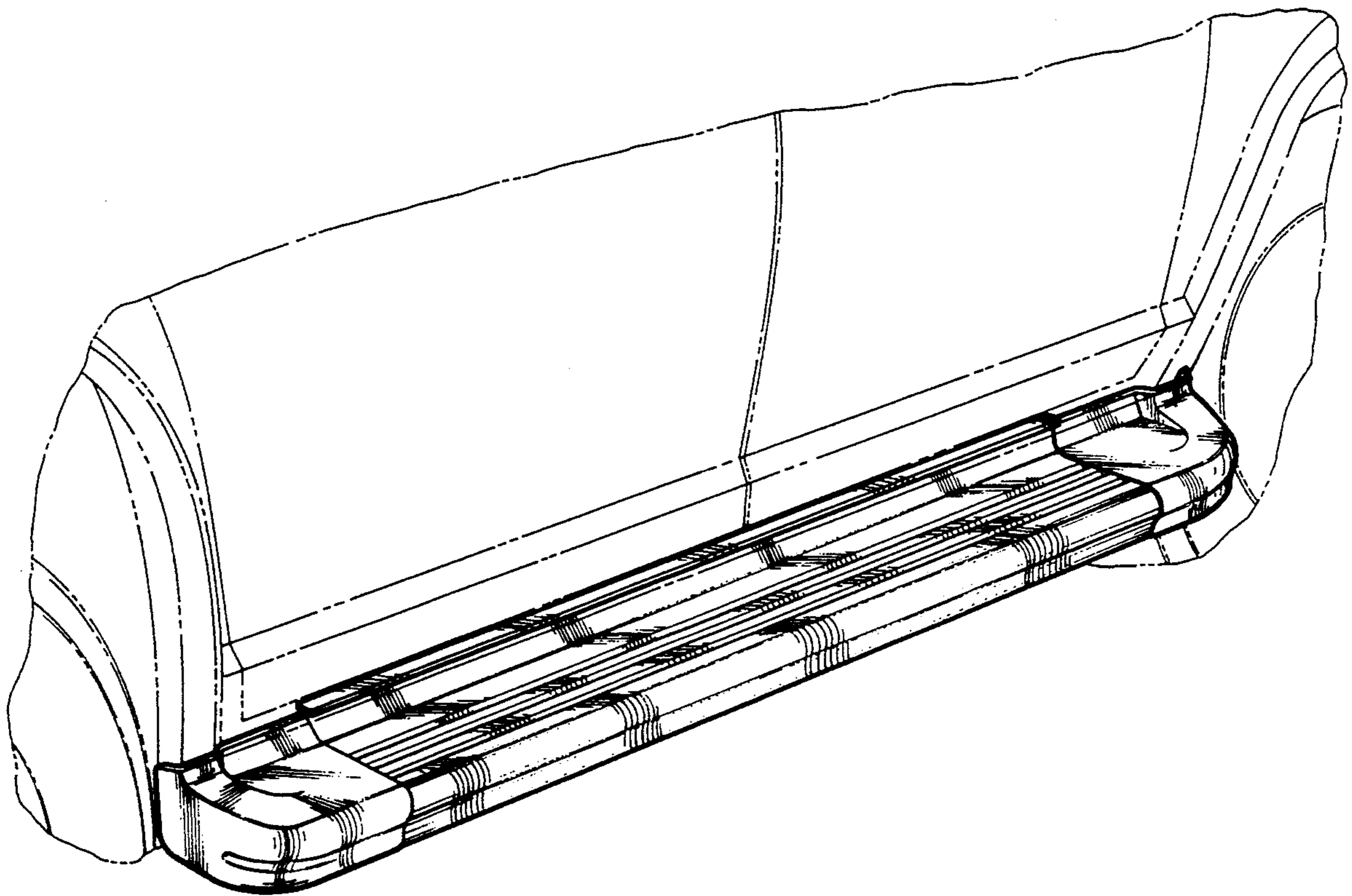
DESCRIPTION

FIG. 1 is a front and left perspective view of a vehicle running board embodying the design;
FIG. 2 is a rear and left perspective view of a vehicle running board embodying the design; and,
FIG. 3 is an enlarged sectional view of the vehicle running board taken along line 3—3 in FIG. 2.
The broken line showing of a portion of a vehicle in FIGS. 1 and 2 of the drawing is for illustrative purposes only and forms no part of the claimed design.

[56] **References Cited**

U.S. PATENT DOCUMENTS

D. 278,329 4/1985 Baker et al. D12/203
D. 318,039 7/1991 Flores D12/203
D. 324,668 3/1992 Anderson D12/203
D. 336,629 6/1993 Hinrichs et al. D12/203



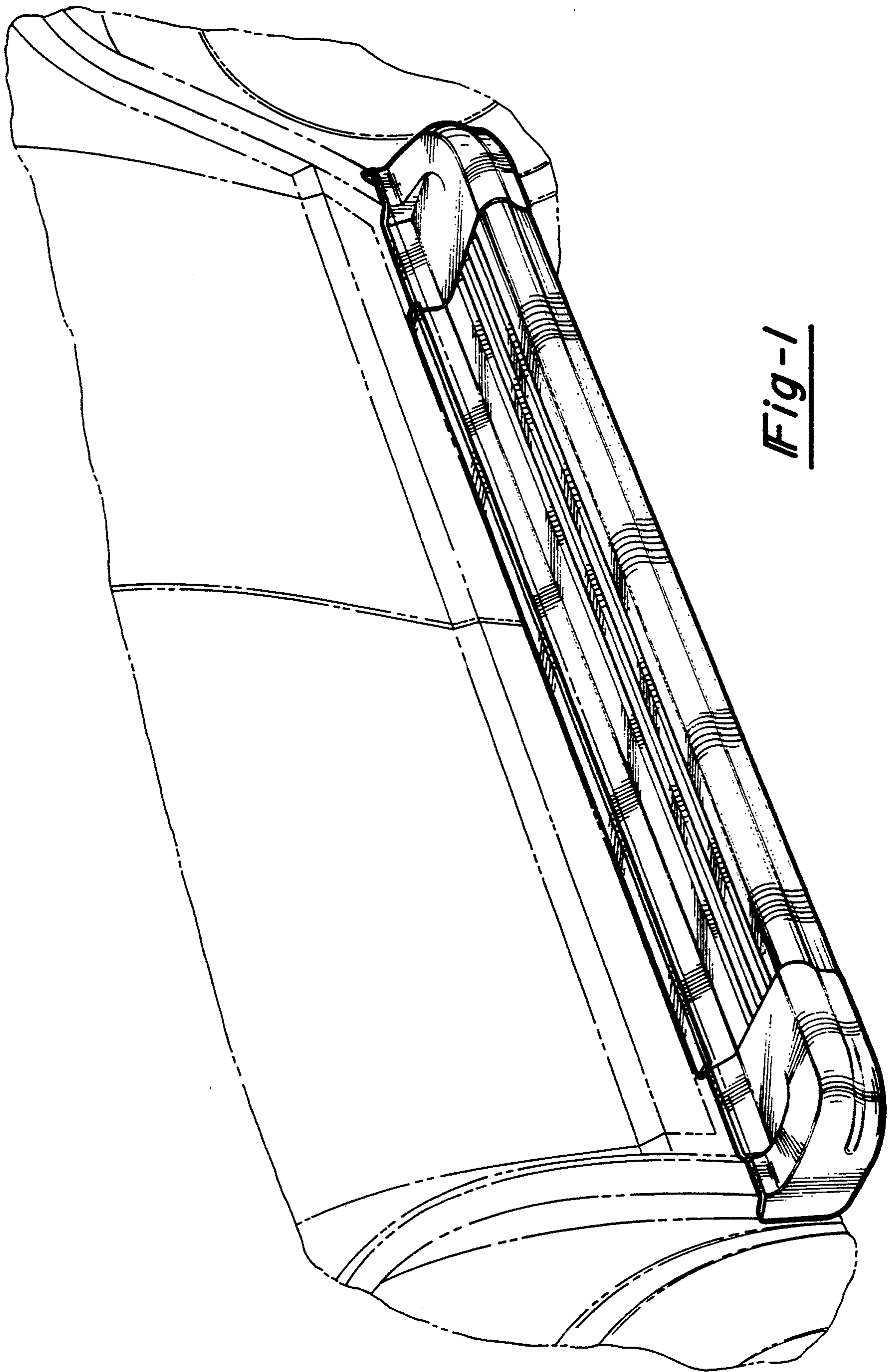


Fig-1

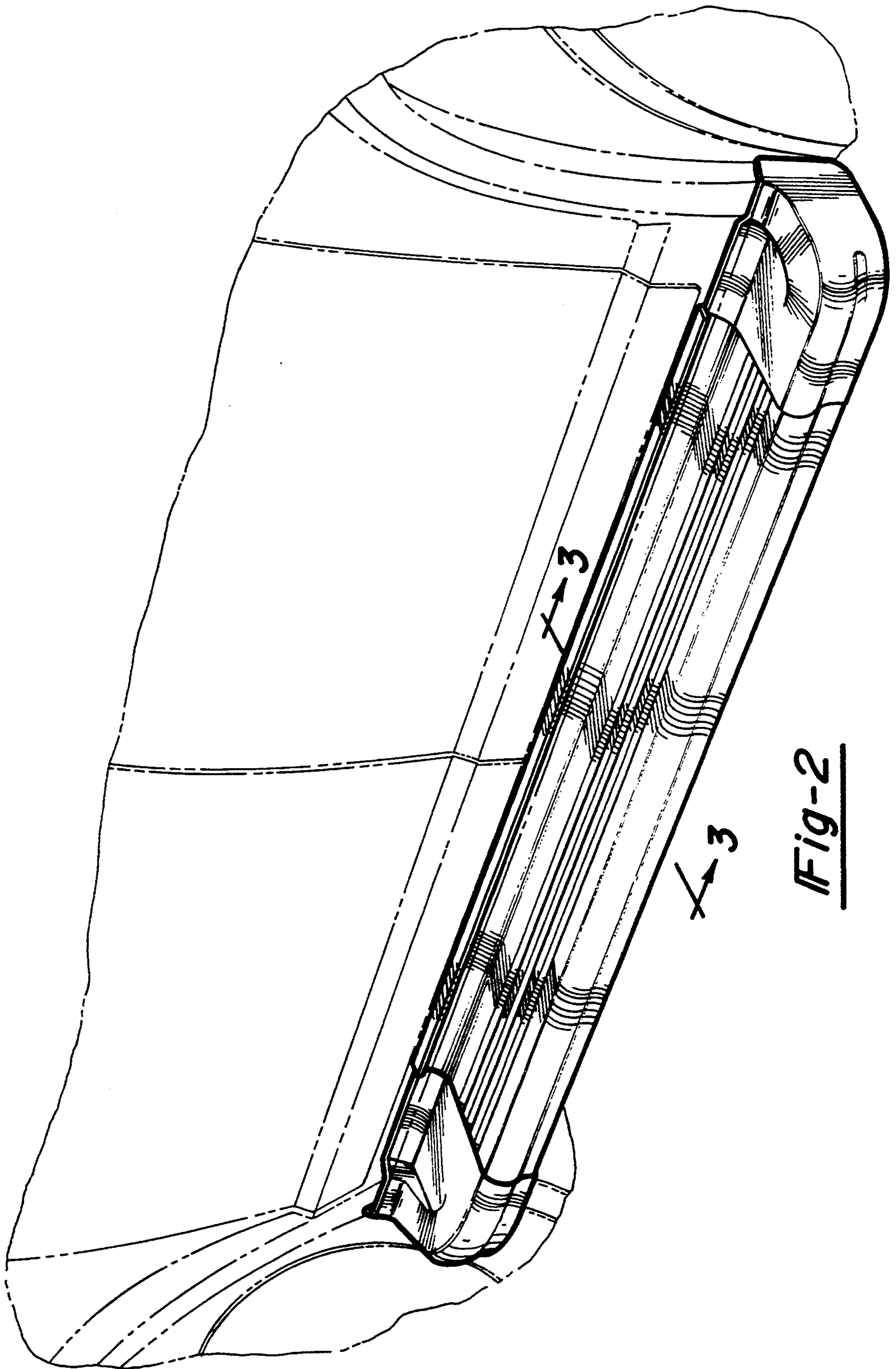


Fig-2

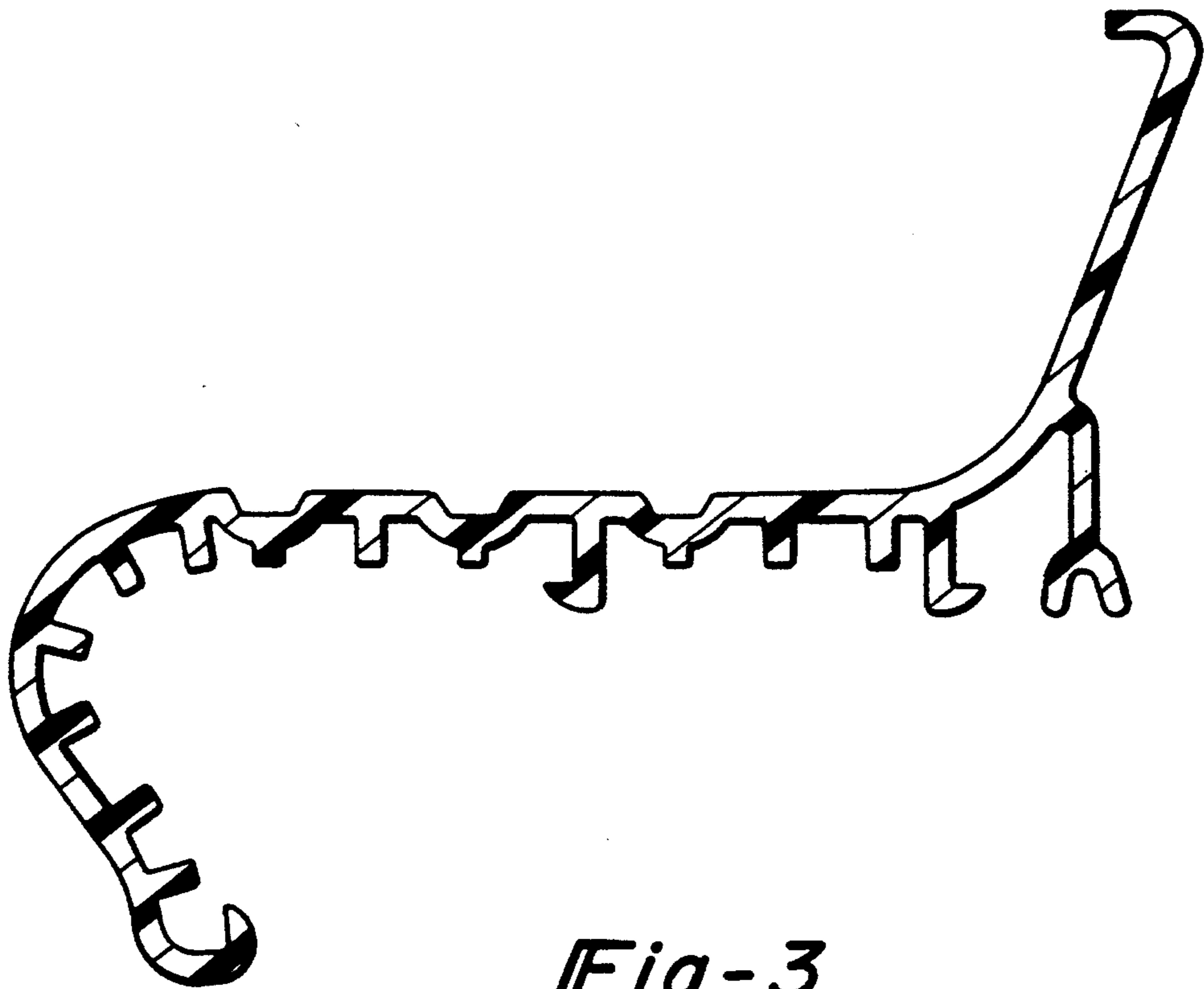


Fig-3


UNITED STATES PATENT AND TRADEMARK OFFICE
CERTIFICATE OF CORRECTION

PATENT NO. : Des. 349,678
DATED : August 16, 1994
INVENTOR(S) : Donald R. Waddington, et. al.

It is certified that error appears in the above-identified patent and that said Letters Patent is hereby corrected as shown below:

Title page, item [73], Assignee, insert --Ontario, Canada--after "Huntsville"--.

Signed and Sealed this
Seventh Day of March, 1995



BRUCE LEHMAN

Commissioner of Patents and Trademarks

Attest:

Attesting Officer