



US00D349668S

# United States Patent [19]

[11] Patent Number: **Des. 349,668**

**Mathews et al.**

[45] Date of Patent: **\*\* Aug. 16, 1994**

[54] **CHANGE STROLLER WITH AN ACCESSORY CONTAINER**

[76] Inventors: **Linton Mathews; Teresa L. Mathews**, both of 6621 Cowboy Trail, Las Vegas, Nev. 89121; **Philip M. Stephens**, 1624 S. Palm St., #34, Las Vegas, Nev. 89104

[\*\*] Term: **14 Years**

[21] Appl. No.: **19,443**

[22] Filed: **Feb. 28, 1994**

### Related U.S. Application Data

[62] Division of Ser. No. 945,332, Sep. 15, 1992.  
[52] U.S. Cl. .... **D12/129; D34/20**  
[58] Field of Search ..... 280/79.11, 79.12, 47.35; 224/42.46 R; D12/128, 129, 133; D34/17, 19, 20, 21

[56] **References Cited**

### U.S. PATENT DOCUMENTS

2,865,647	12/1958	Wilson .....	280/47.35
4,184,618	1/1980	Jones .....	224/42.46 R
4,721,317	1/1988	Avot .....	280/47.35
5,048,849	9/1991	Mathews et al. ....	280/47.35

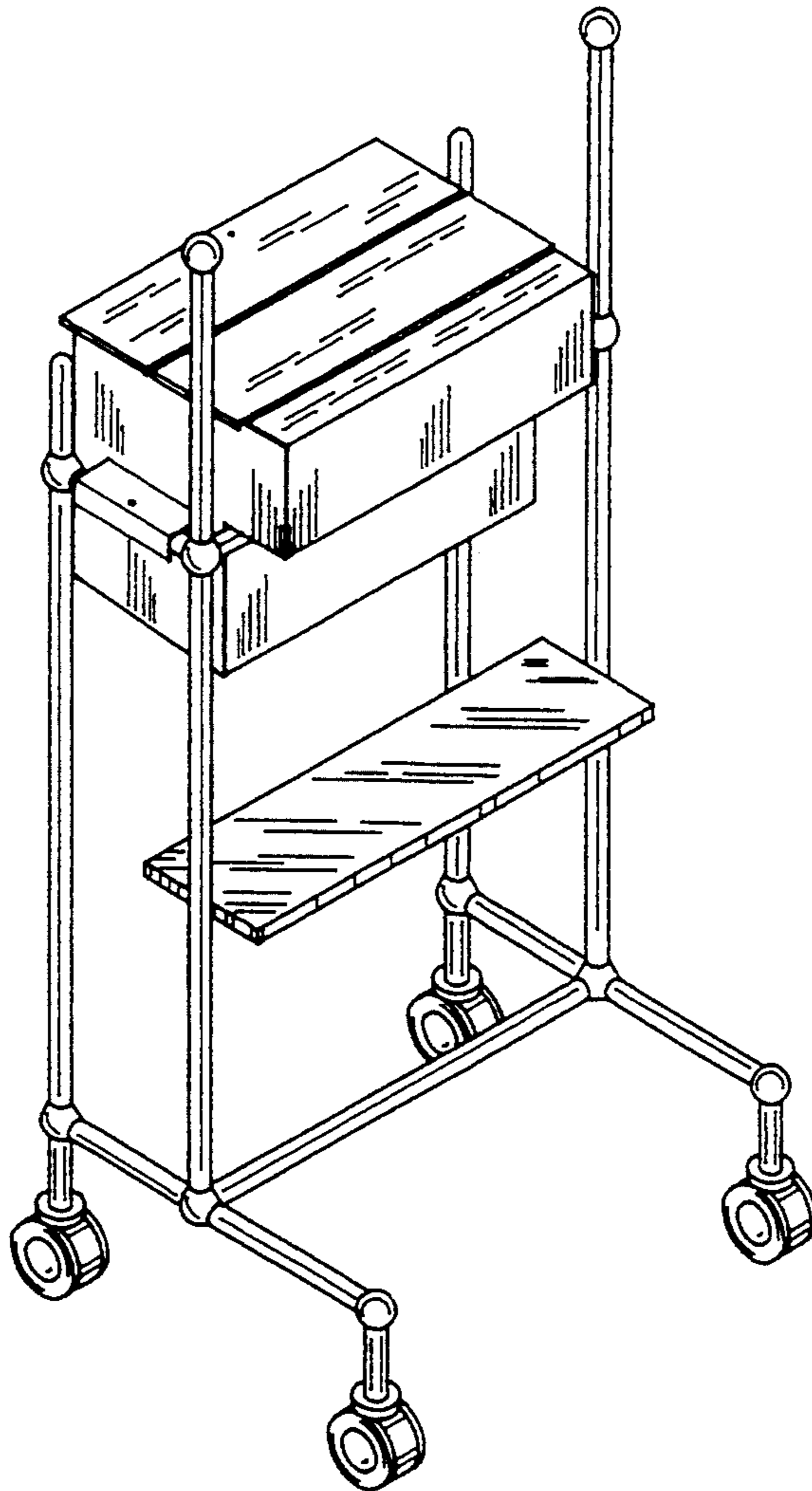
*Primary Examiner*—Kay H. Chin  
*Attorney, Agent, or Firm*—John Edward Roethel

[57] **CLAIM**

The ornamental design for a change stroller with an accessory container, as shown and described.

### DESCRIPTION

FIG. 1 is a front elevational view of the change stroller with an accessory container showing our new design; FIG. 2 is a back elevational view thereof; FIG. 3 is a top plan view thereof; FIG. 4 is a bottom plan view thereof; FIG. 5 is a left elevational view thereof; FIG. 6 is a right elevational view thereof; and, FIG. 7 is an isometric view thereof.



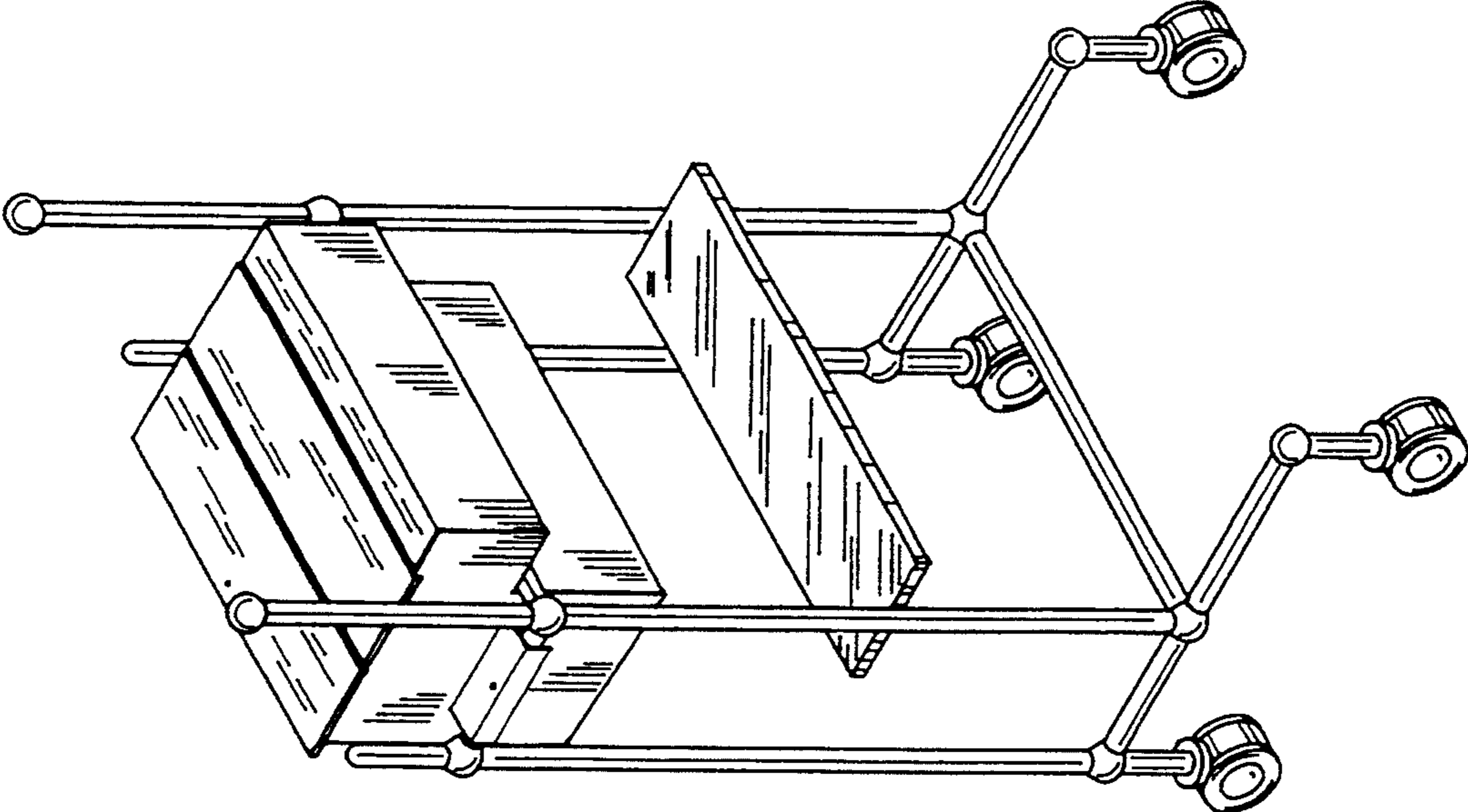


FIG-1

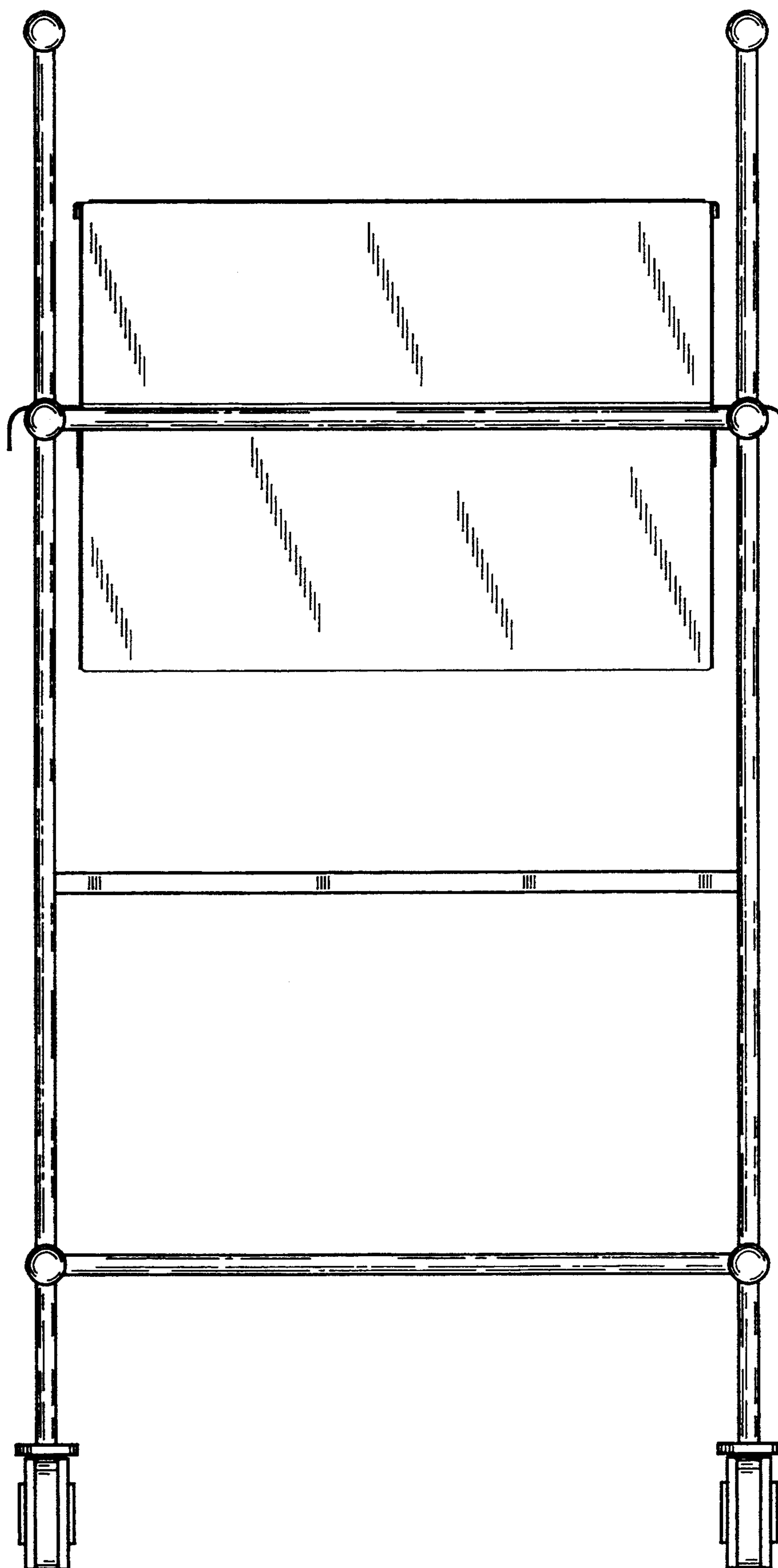


FIG-2

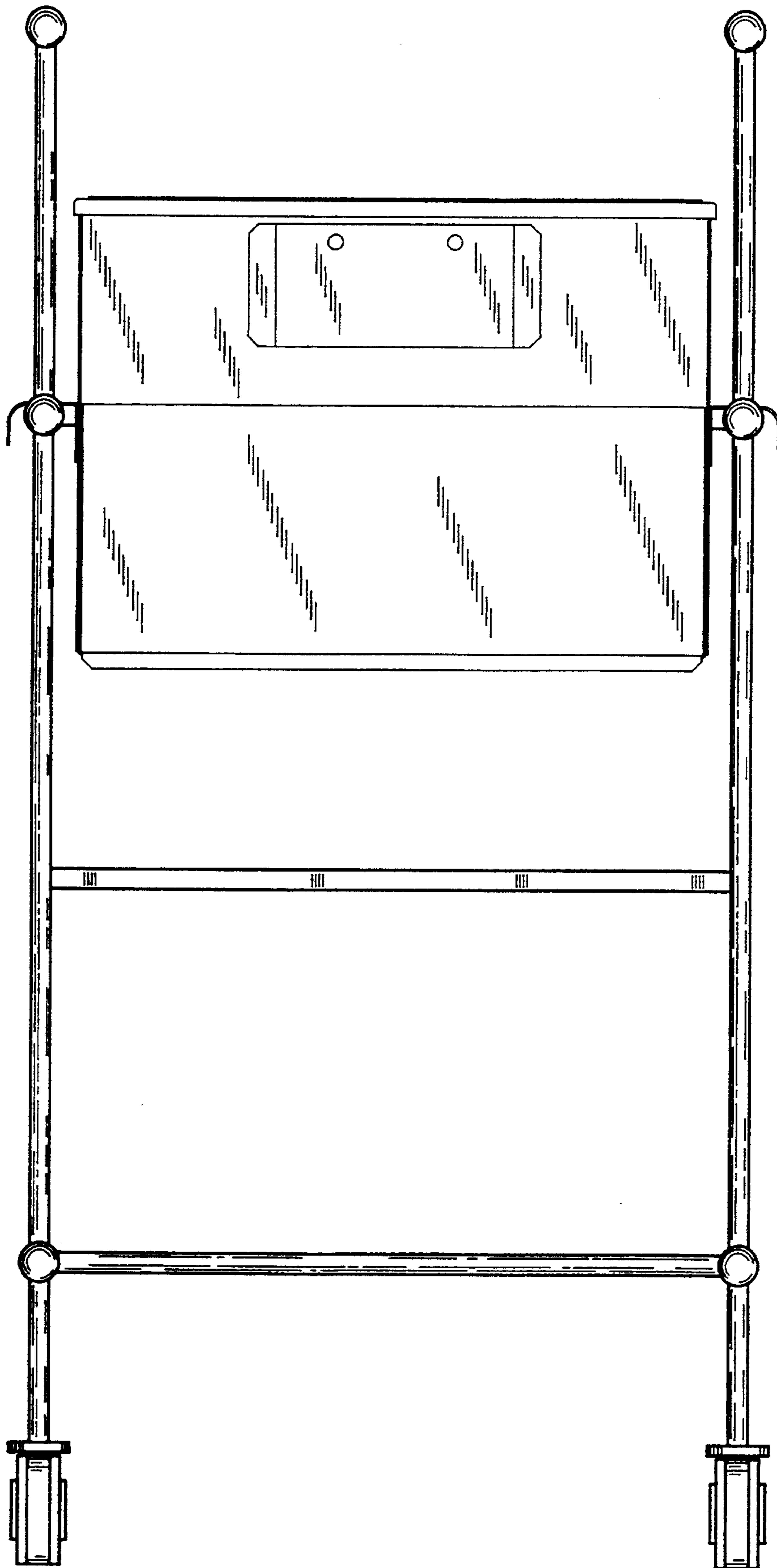


FIG-3

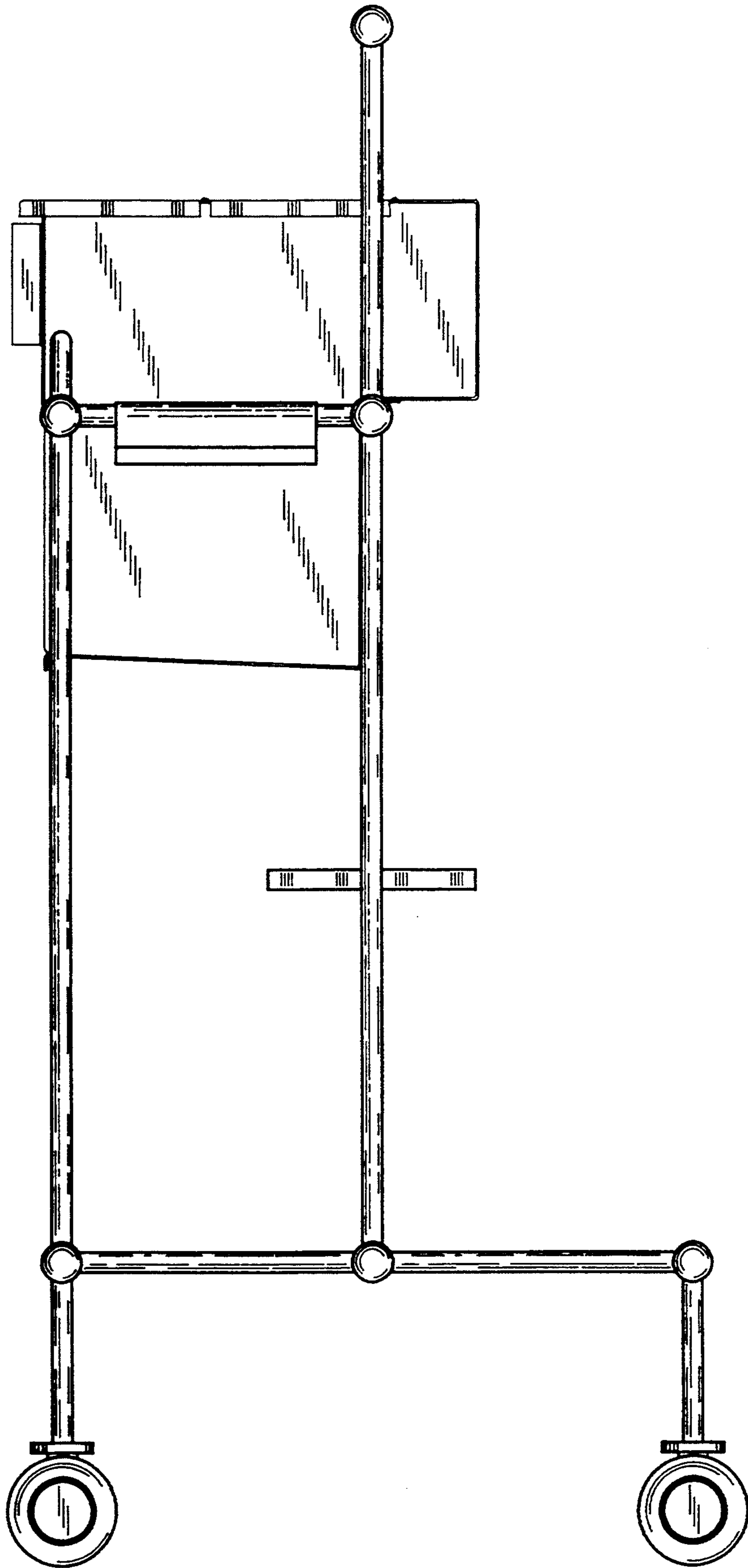


FIG-4

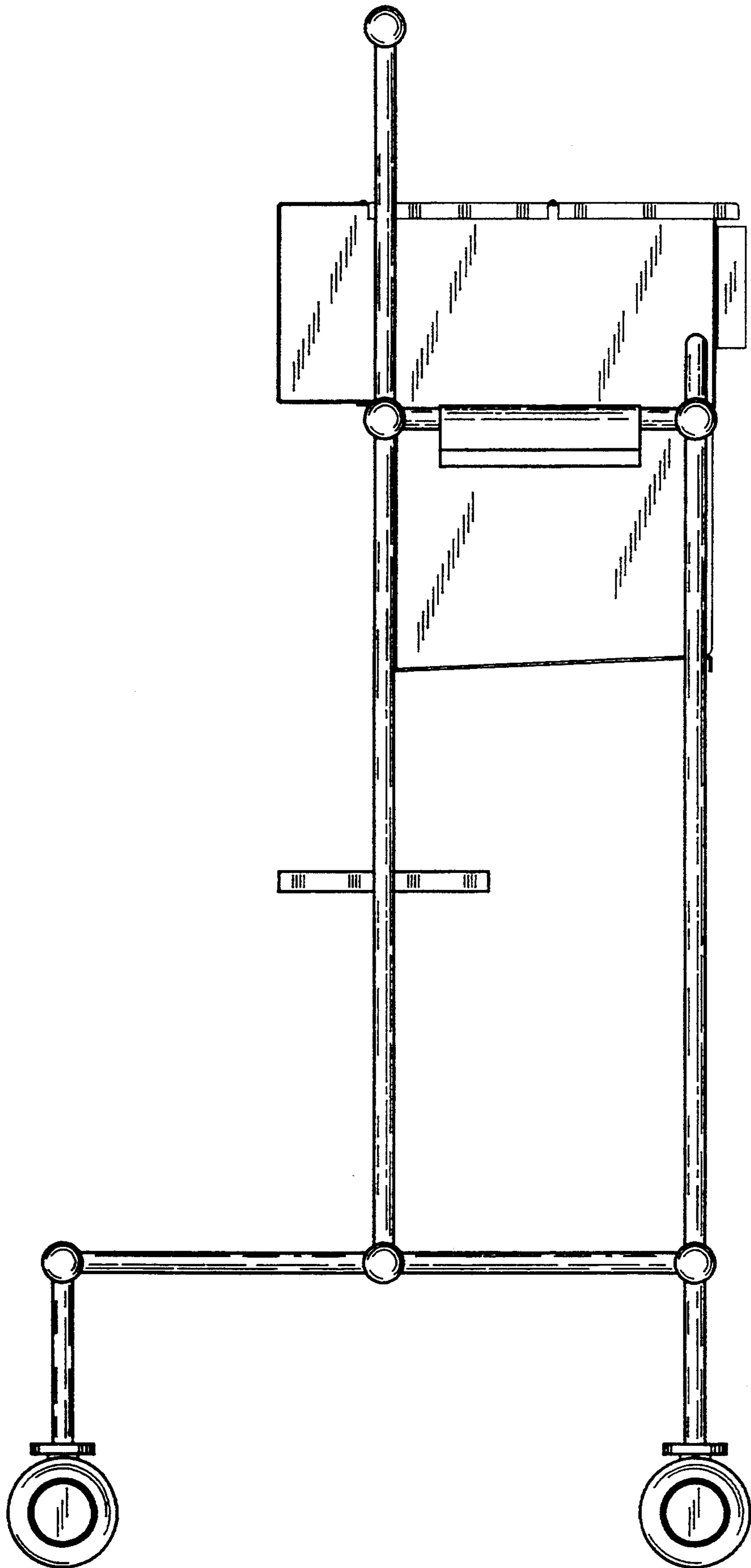


FIG-5

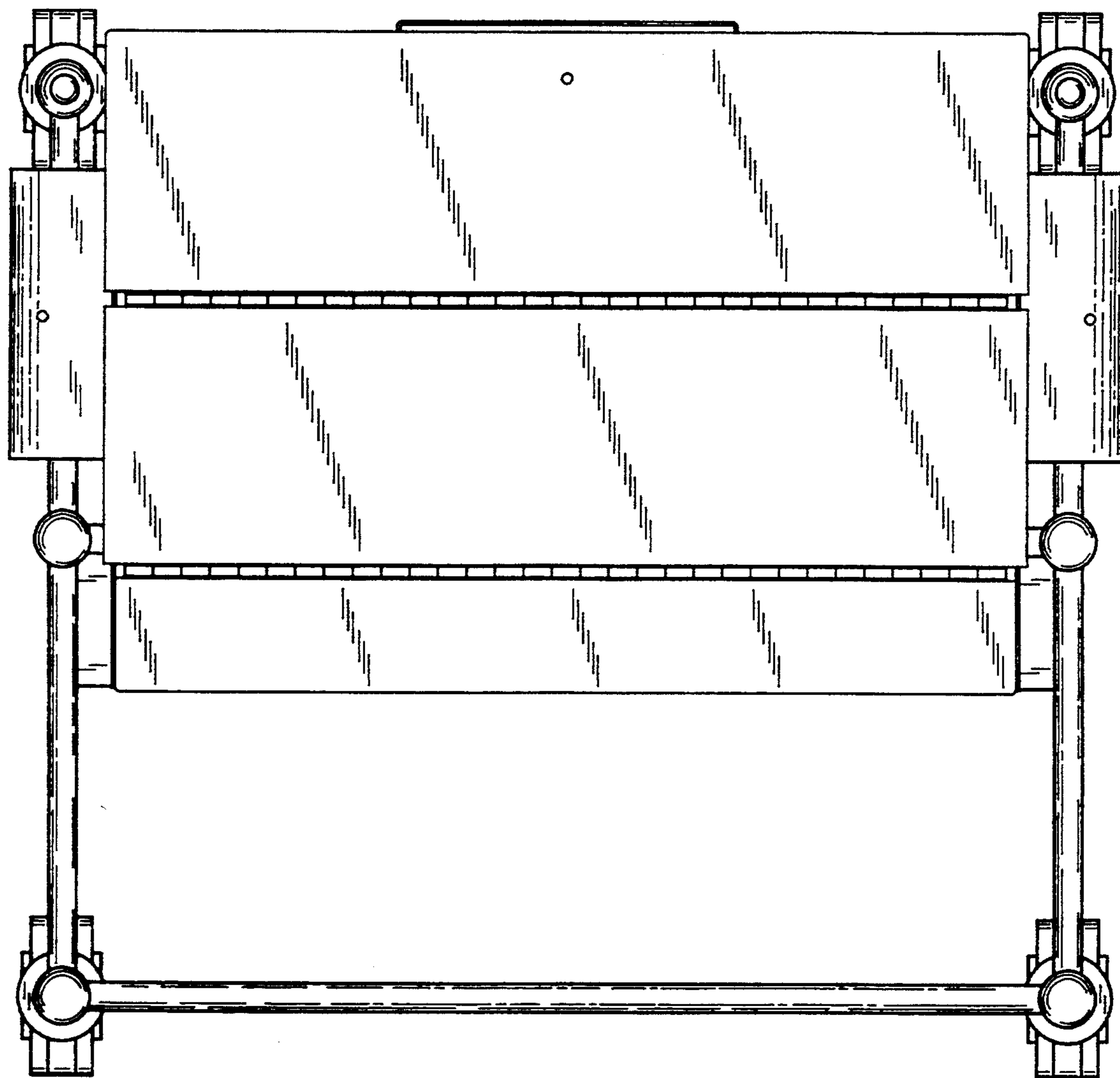


FIG-6

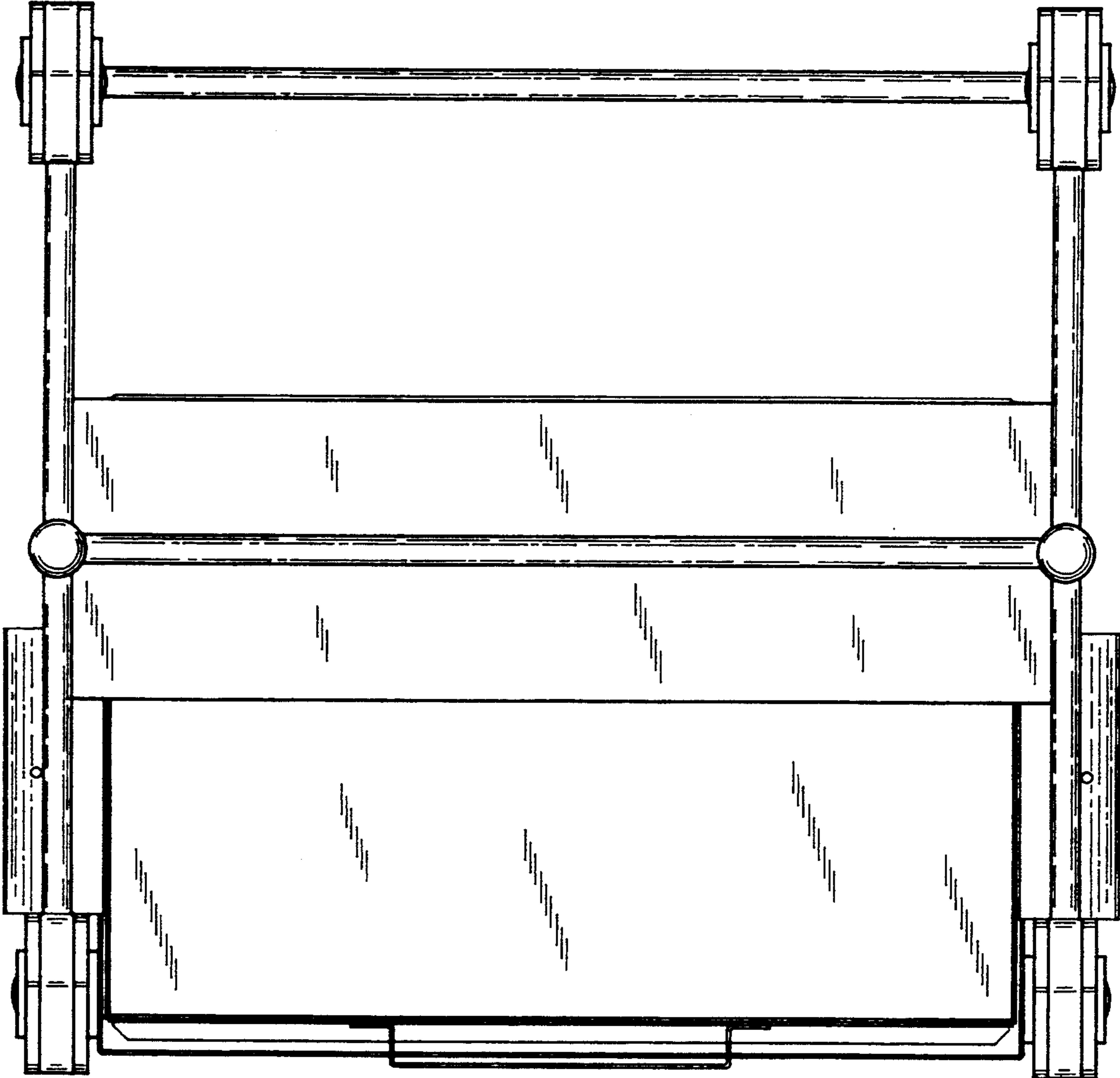


FIG-7